



US00D810730S

(12) **United States Design Patent**
Cheng et al.

(10) **Patent No.:** **US D810,730 S**
(45) **Date of Patent:** **** Feb. 20, 2018**

(54) **NOTEBOOK COMPUTER**

(71) Applicants: **Chen-Hsien Cheng**, Taipei (TW);
Li-Fang Chen, Taipei (TW); **Wei-Ning Chai**, Taipei (TW); **Hong-Tien Wang**, Taipei (TW)

(72) Inventors: **Chen-Hsien Cheng**, Taipei (TW);
Li-Fang Chen, Taipei (TW); **Wei-Ning Chai**, Taipei (TW); **Hong-Tien Wang**, Taipei (TW)

(73) Assignee: **COMPAL ELECTRONICS, INC.**, Taipei (TW)

(**) Term: **15 Years**

(21) Appl. No.: **29/585,897**

(22) Filed: **Nov. 29, 2016**

(51) **LOC (11) Cl.** **14-02**

(52) **U.S. Cl.**
USPC **D14/315**

(58) **Field of Classification Search**
USPC D14/315-327; D18/1, 2, 7, 11;
235/145 A, 145 R; 341/22, 23; 345/104,
(Continued)

(56) **References Cited**

U.S. PATENT DOCUMENTS

D570,837 S * 6/2008 Sakamoto D14/301
2010/0091442 A1* 4/2010 Theobald G06F 1/1616
361/679.09

* cited by examiner

Primary Examiner — Freda S Nunn

(74) *Attorney, Agent, or Firm* — JCIPRNET

(57) **CLAIM**

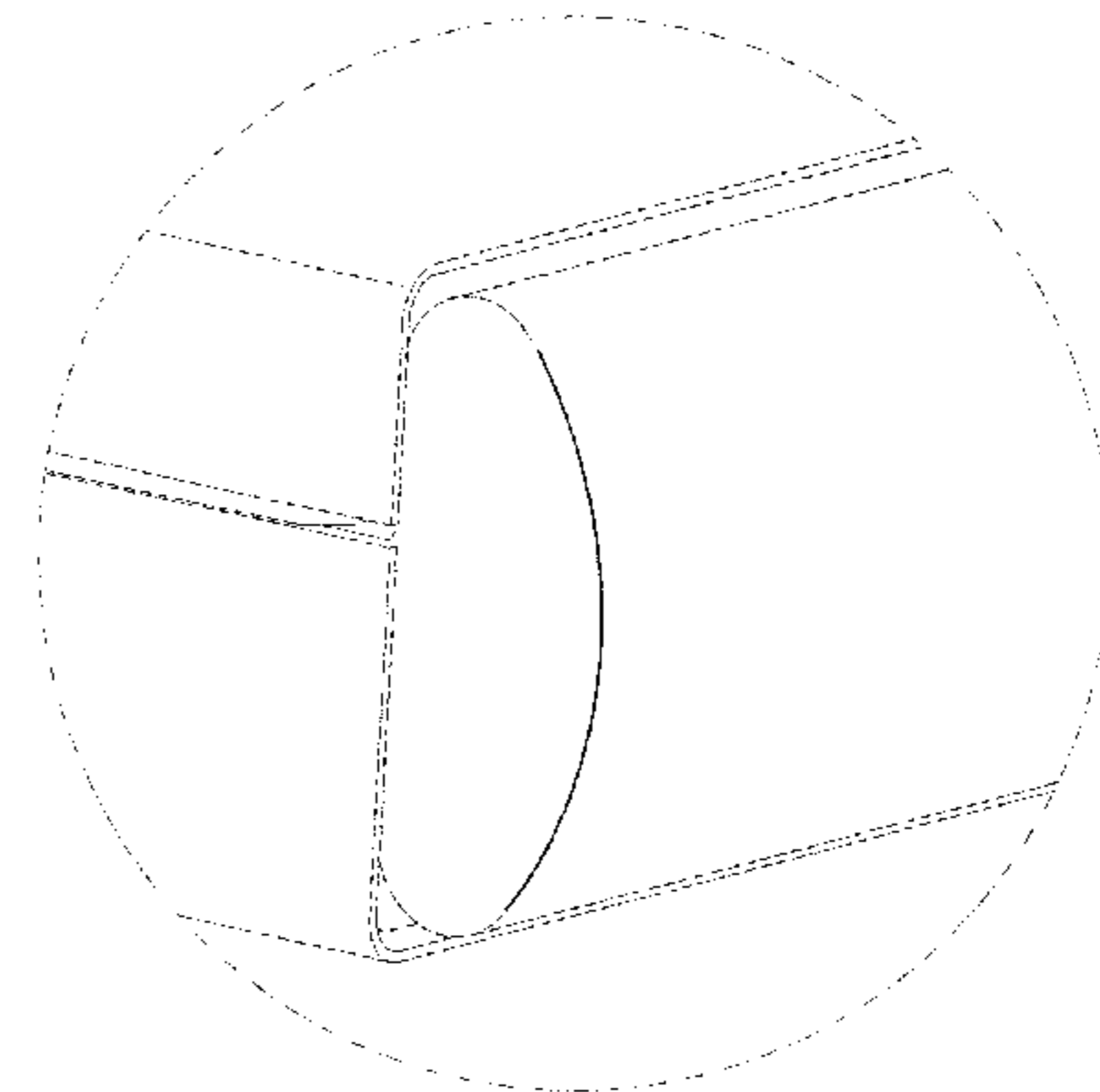
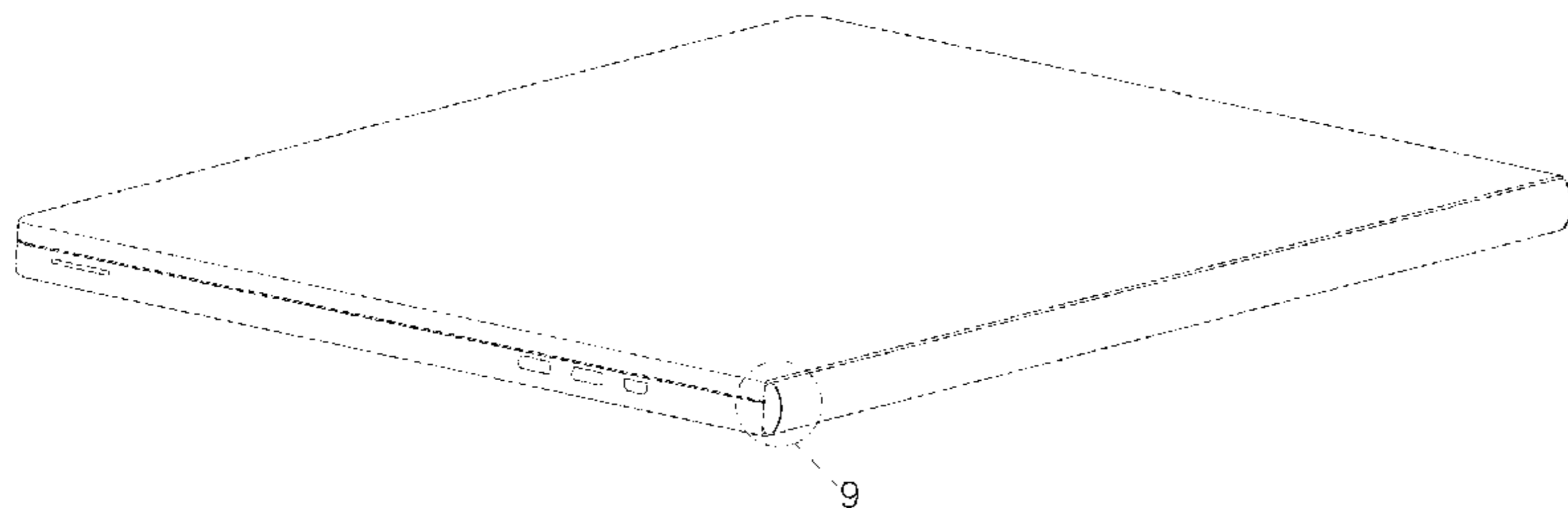
The ornamental design for a notebook computer, as shown and described.

DESCRIPTION

FIG. 1 is a perspective view of a notebook computer showing our new design;
FIG. 2 is a front view thereof;
FIG. 3 is a rear view thereof;
FIG. 4 is a left side view thereof;
FIG. 5 is a right side view thereof;
FIG. 6 is a top view thereof;
FIG. 7 is a bottom view thereof;
FIG. 8 is a perspective view thereof in an opened position;
FIG. 9 is an enlarged view of the circled portion so indicated in FIG. 1 thereof;
FIG. 10 is an enlarged view of the right circled portion so indicated in FIG. 2 thereof;
FIG. 11 is an enlarged view of the left circled portion so indicated in FIG. 2 thereof;
FIG. 12 is an enlarged view of the circled portion so indicated in FIG. 4 thereof;
FIG. 13 is an enlarged view of the circled portion so indicated in FIG. 5 thereof;
FIG. 14 is an enlarged view of the right circled portion so indicated in FIG. 6 thereof;
FIG. 15 is an enlarged view of the left circled portion so indicated in FIG. 6 thereof;
FIG. 16 is an enlarged view of the right circled portion so indicated in FIG. 7 thereof;
FIG. 17 is an enlarged view of the left circled portion so indicated in FIG. 7 thereof;
FIG. 18 is an enlarged view of the left circled portion so indicated in FIG. 8 thereof; and
FIG. 19 is an enlarged view of the right circled portion so indicated in FIG. 8 thereof.

The dot-dashed broken lines represent a boundary of the claimed design and form no part of the claimed design. The dashed broken line showing of portions of the notebook computer is for the purpose of illustrating unclaimed portions of the notebook computer and forms no part of the claimed design.

1 Claim, 12 Drawing Sheets



(58) **Field of Classification Search**

USPC 345/156, 168, 169, 173; 361/679.08,
361/679.09, 679.11, 679.26, 679.27
CPC G06F 1/16; G06F 1/1616; G06F 1/1626;
G06F 1/1632; G06F 1/1613; G06F
1/1601; G06F 1/1618; G06F 1/162; G06F
1/166; G06F 1/1654; G06F 1/1681; G06F
1/1637; G06F 1/1688; G06F 1/1656;
H01R 35/02; H03M 11/00; G09B 13/04;
H03K 17/94; G09G 5/00; F16M 11/10;
H05K 5/00; H05K 5/0226; H04M 1/0237;
E05D 11/0081; E05D 3/10; E05D 11/082;
E05D 5/00; E05Y 2900/606; Y10T 16/52;
Y10T 16/533; Y10T 16/547; Y10T
16/5385; Y10T 16/5472; Y10T 16/5476;
Y10T 16/54038

See application file for complete search history.

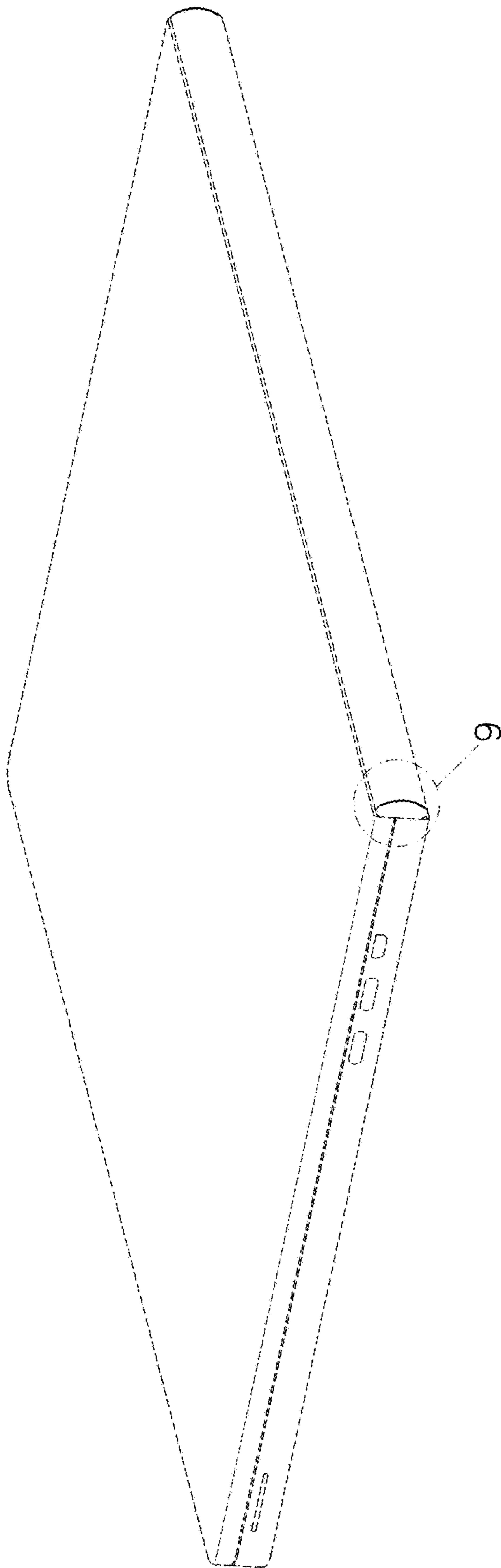


FIG. 1

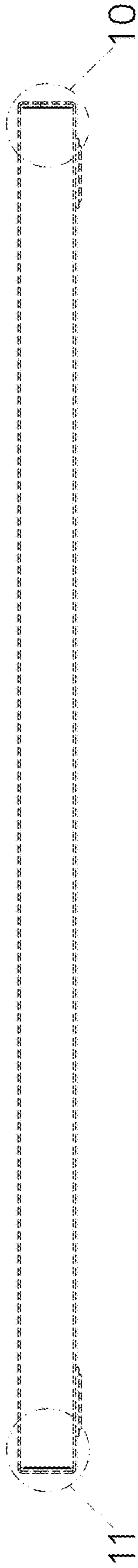


FIG. 2

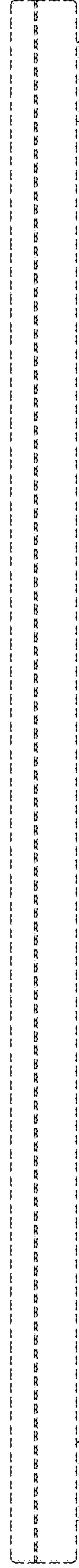


FIG. 3

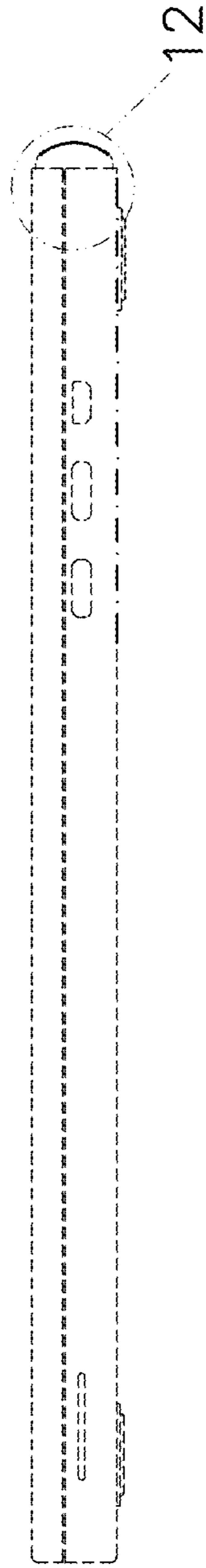


FIG. 4

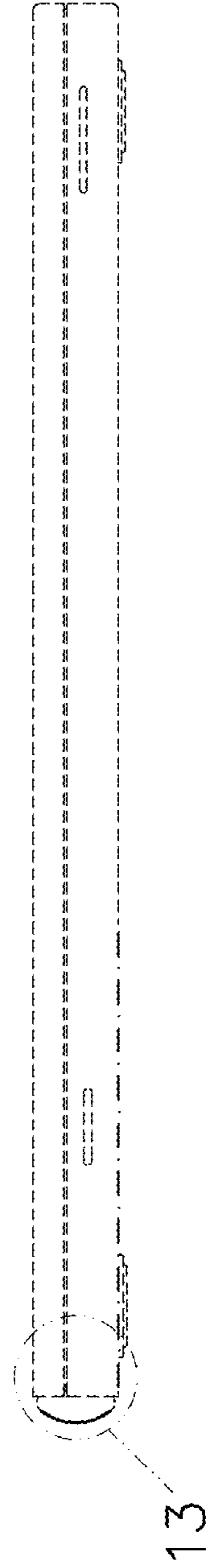


FIG. 5

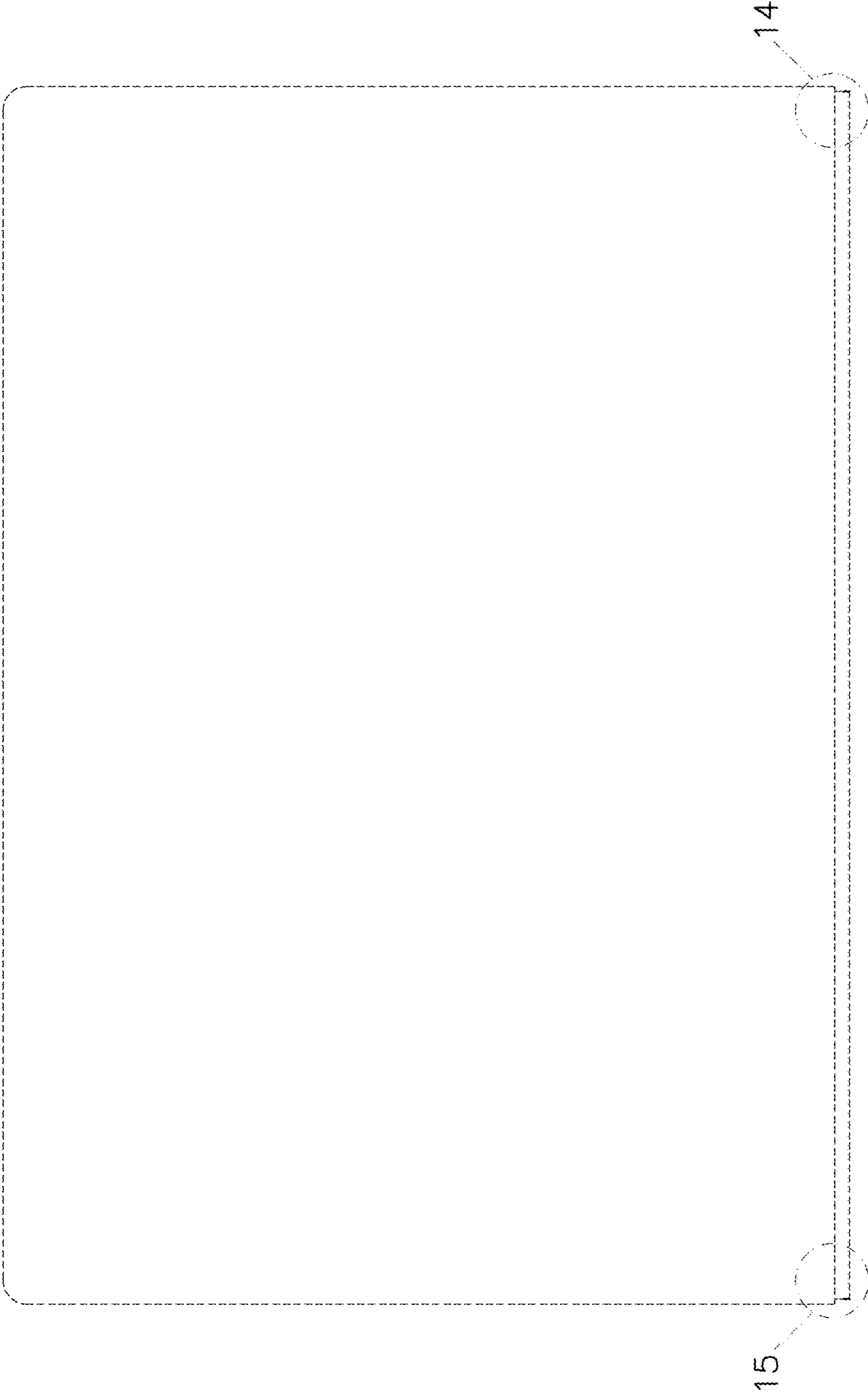


FIG. 6

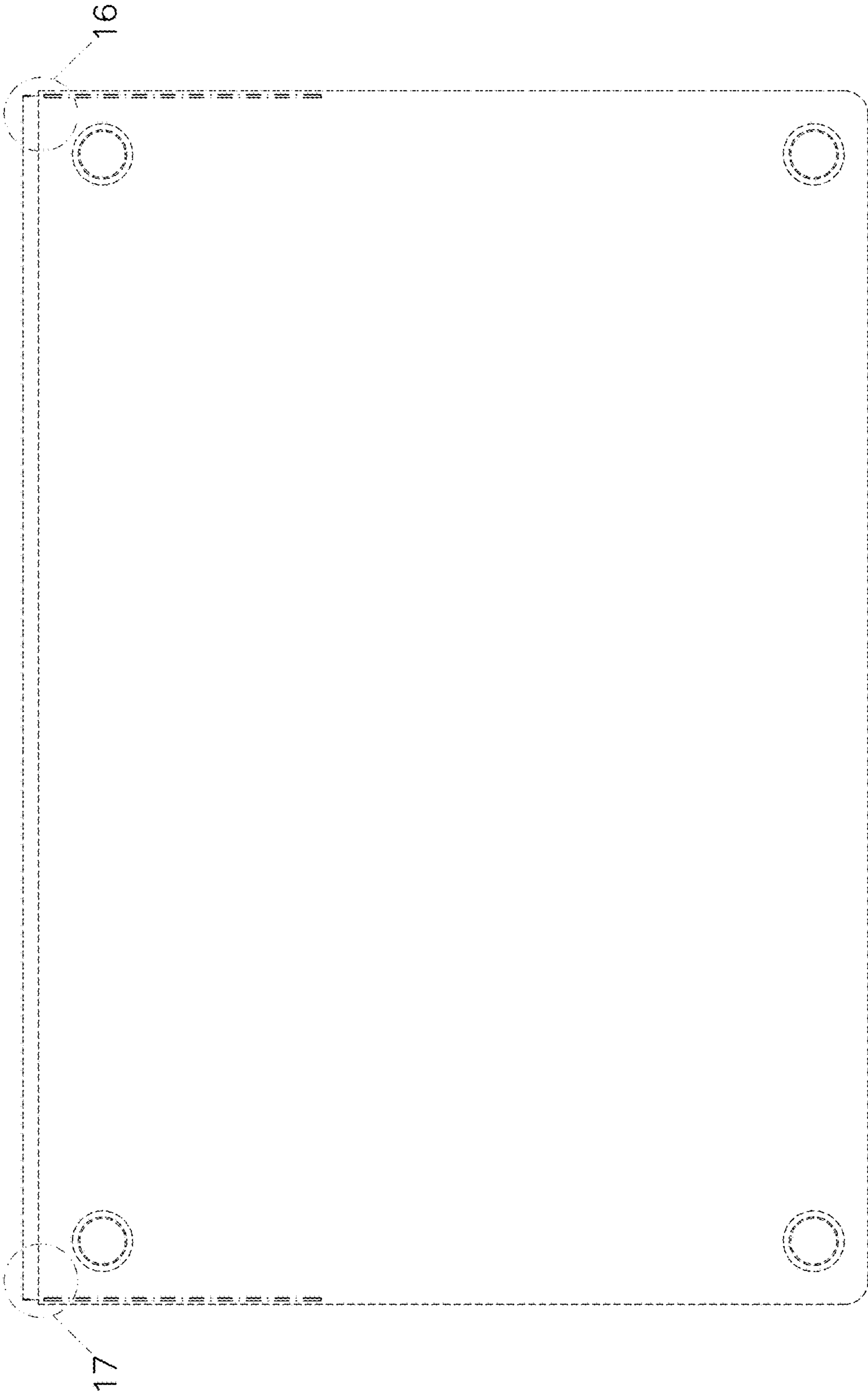


FIG. 7

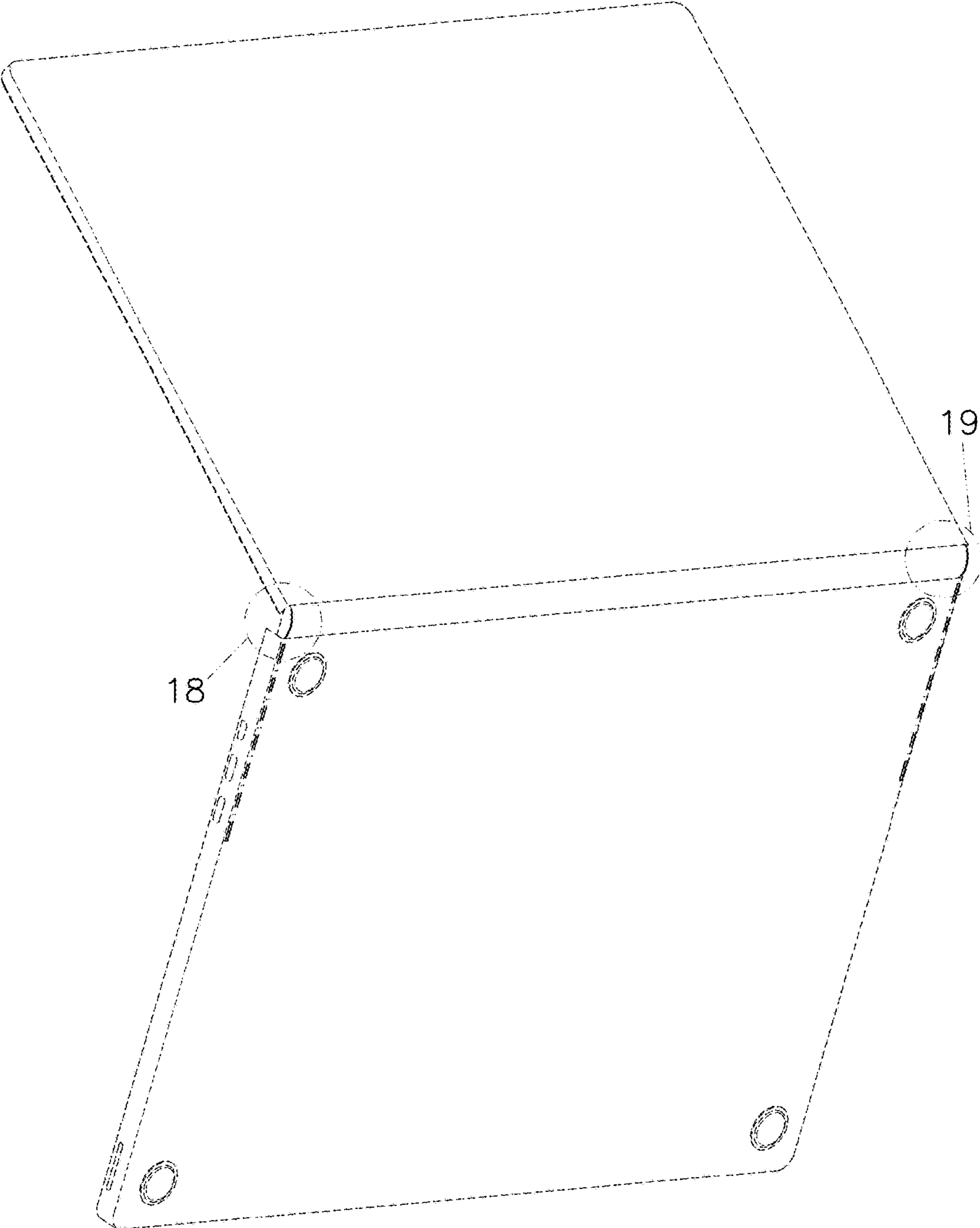


FIG. 8

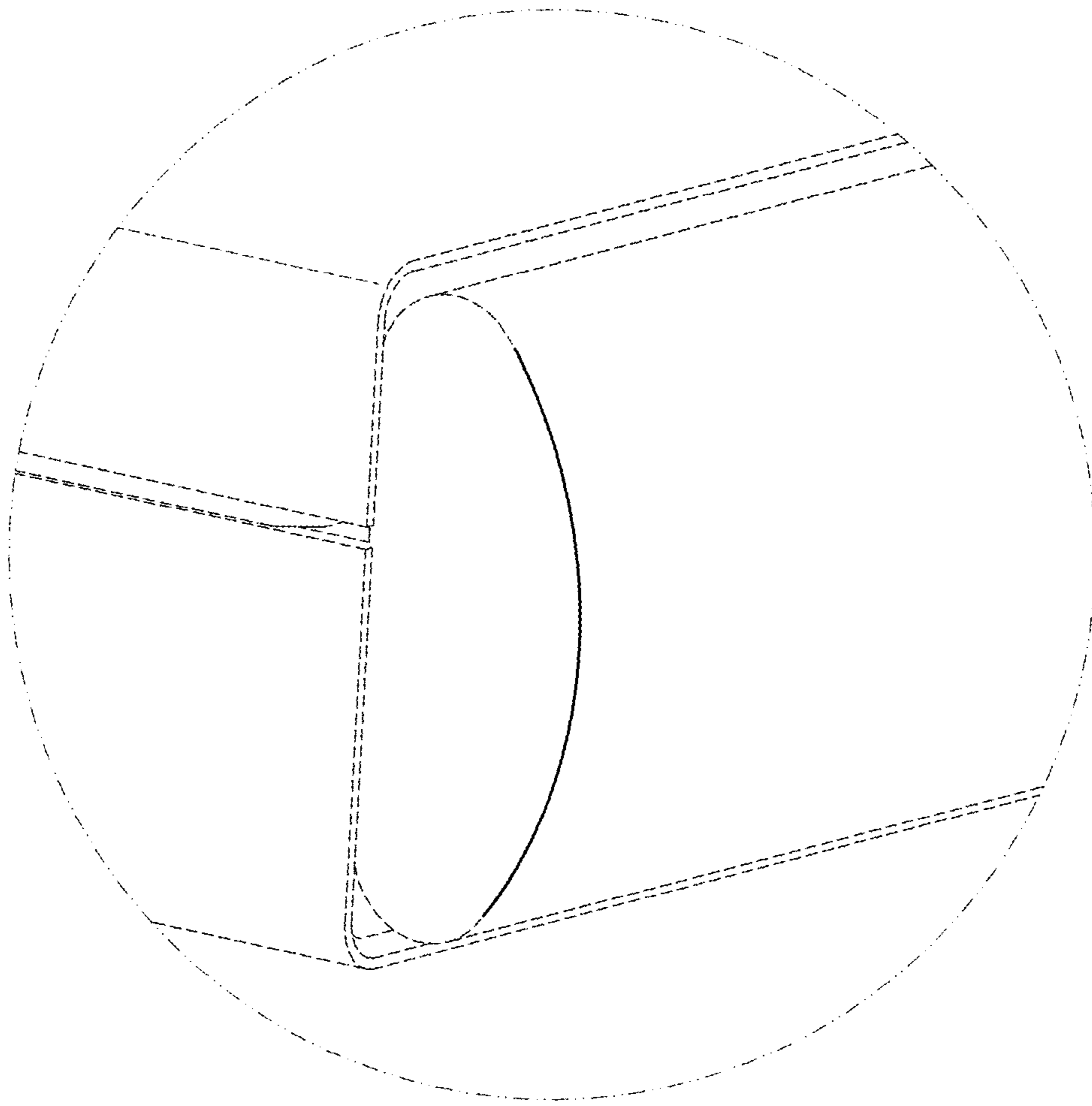


FIG. 9

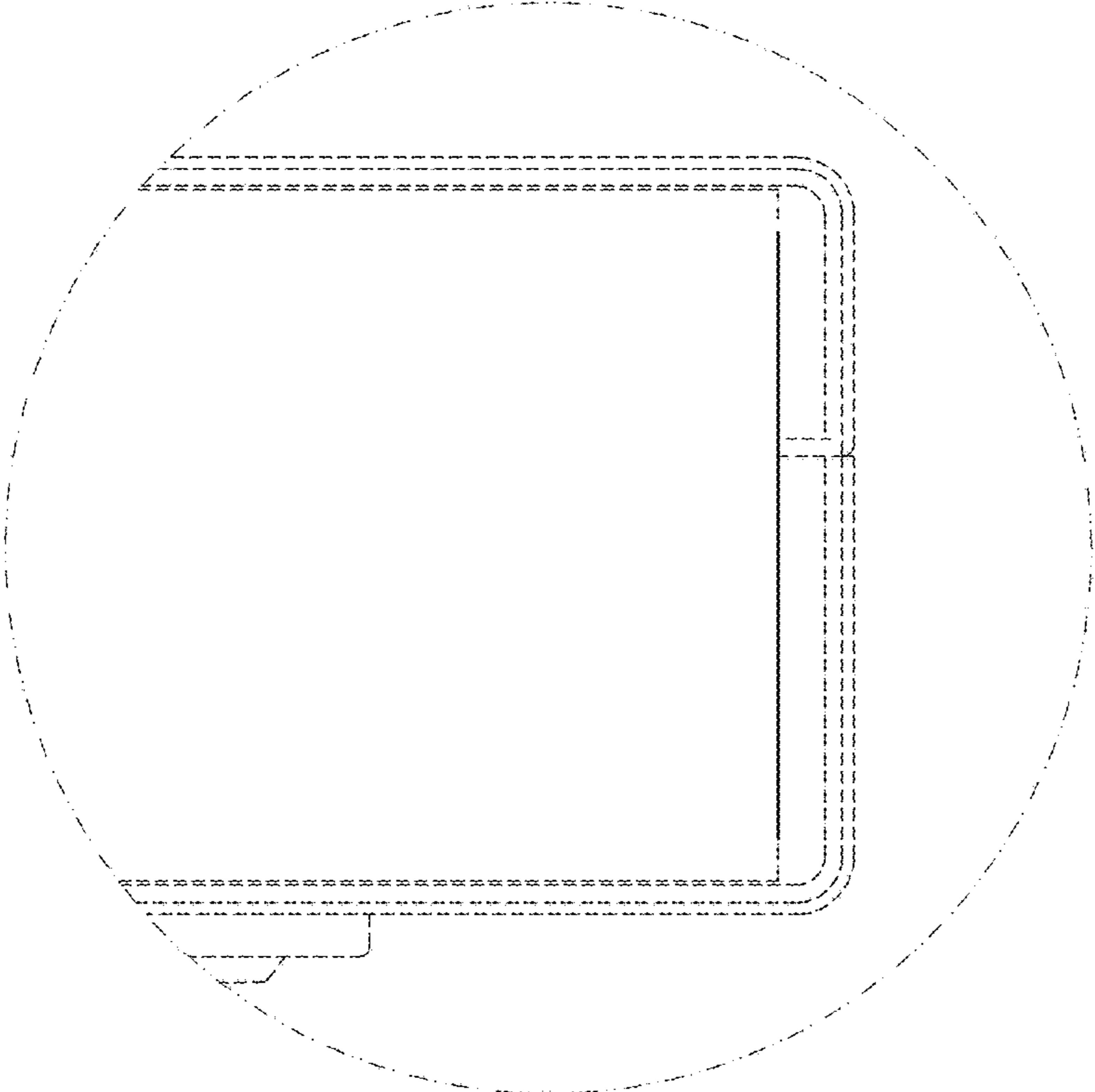


FIG. 10

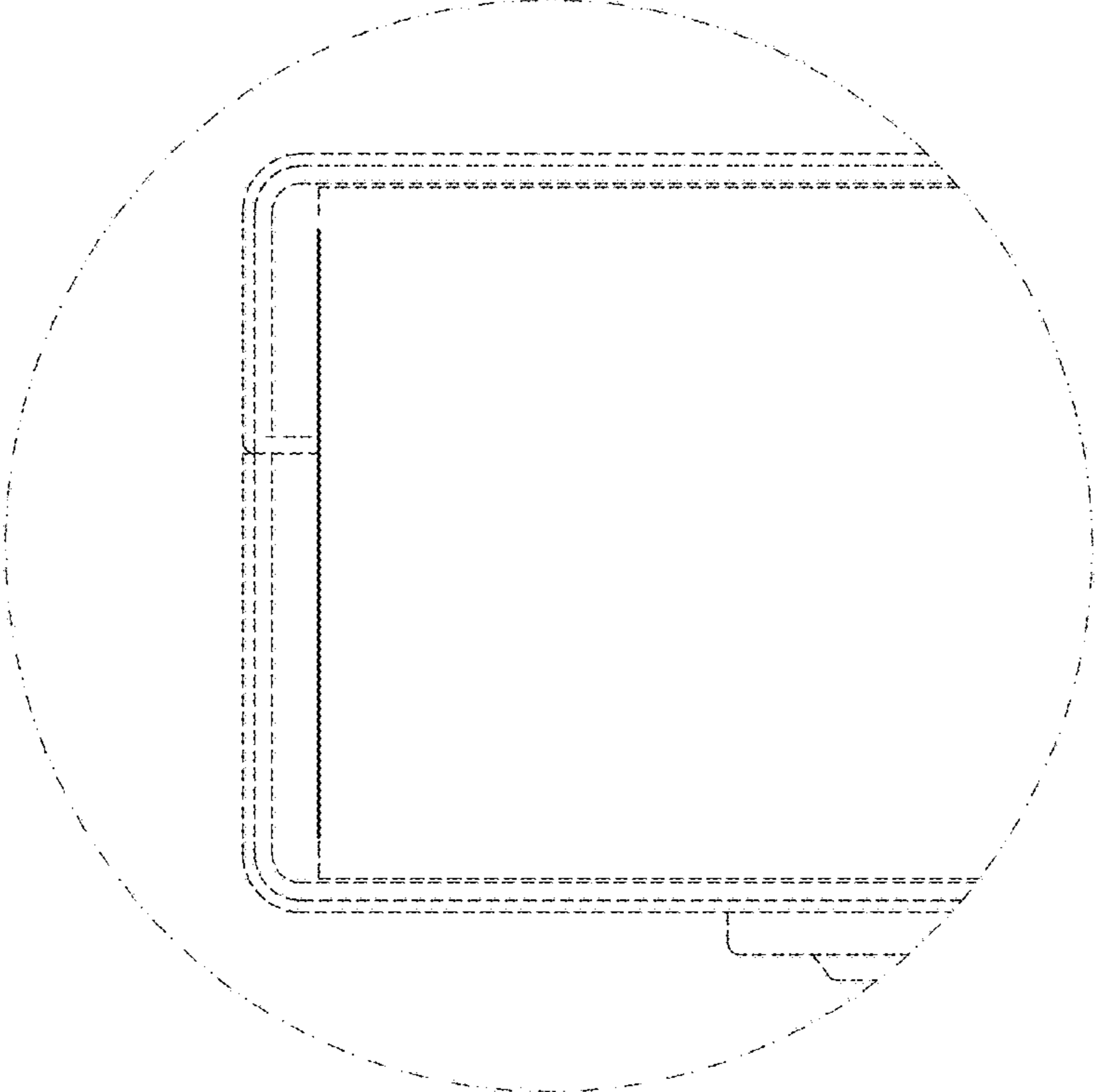


FIG. 11

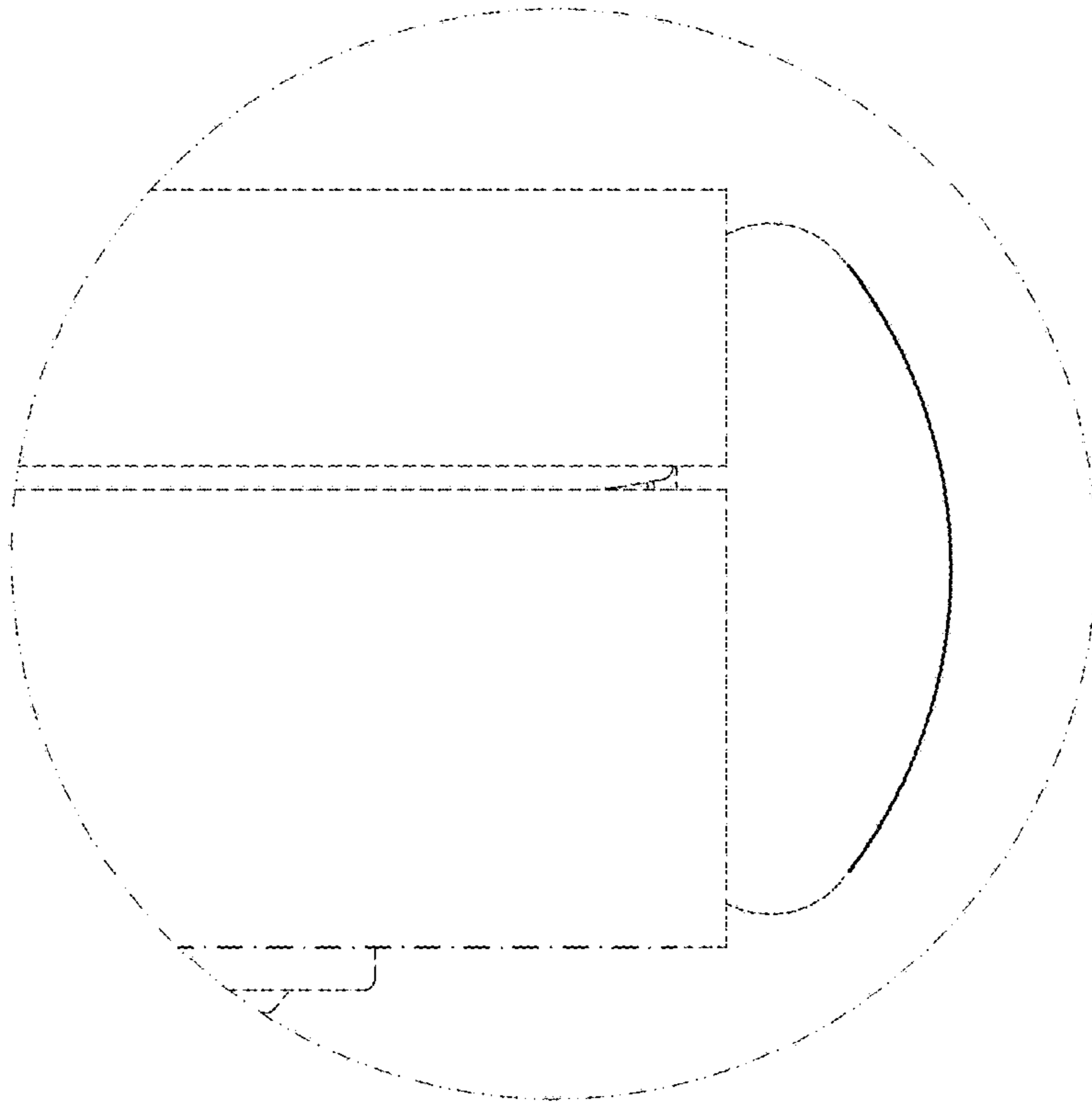


FIG. 12

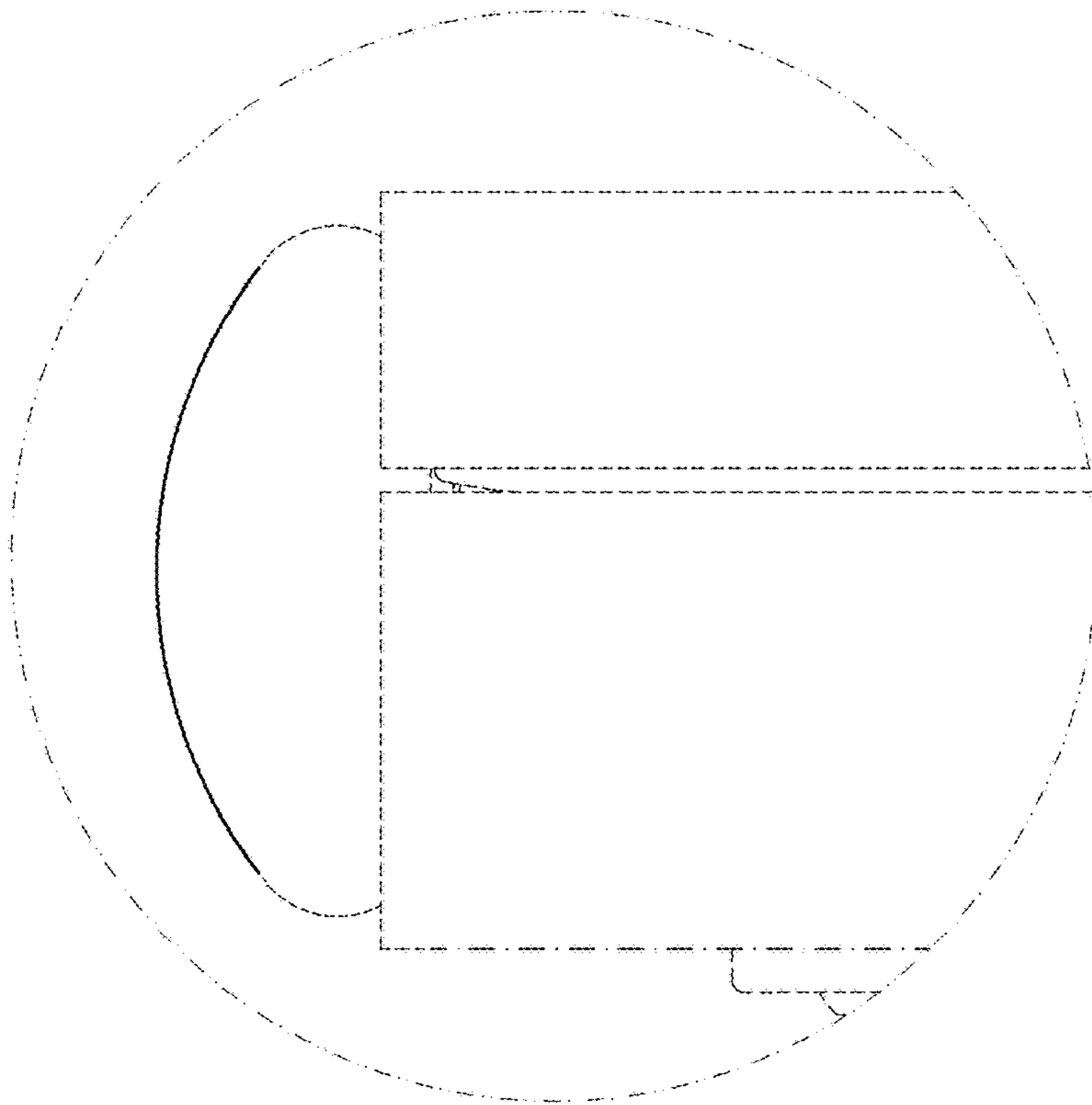


FIG. 13

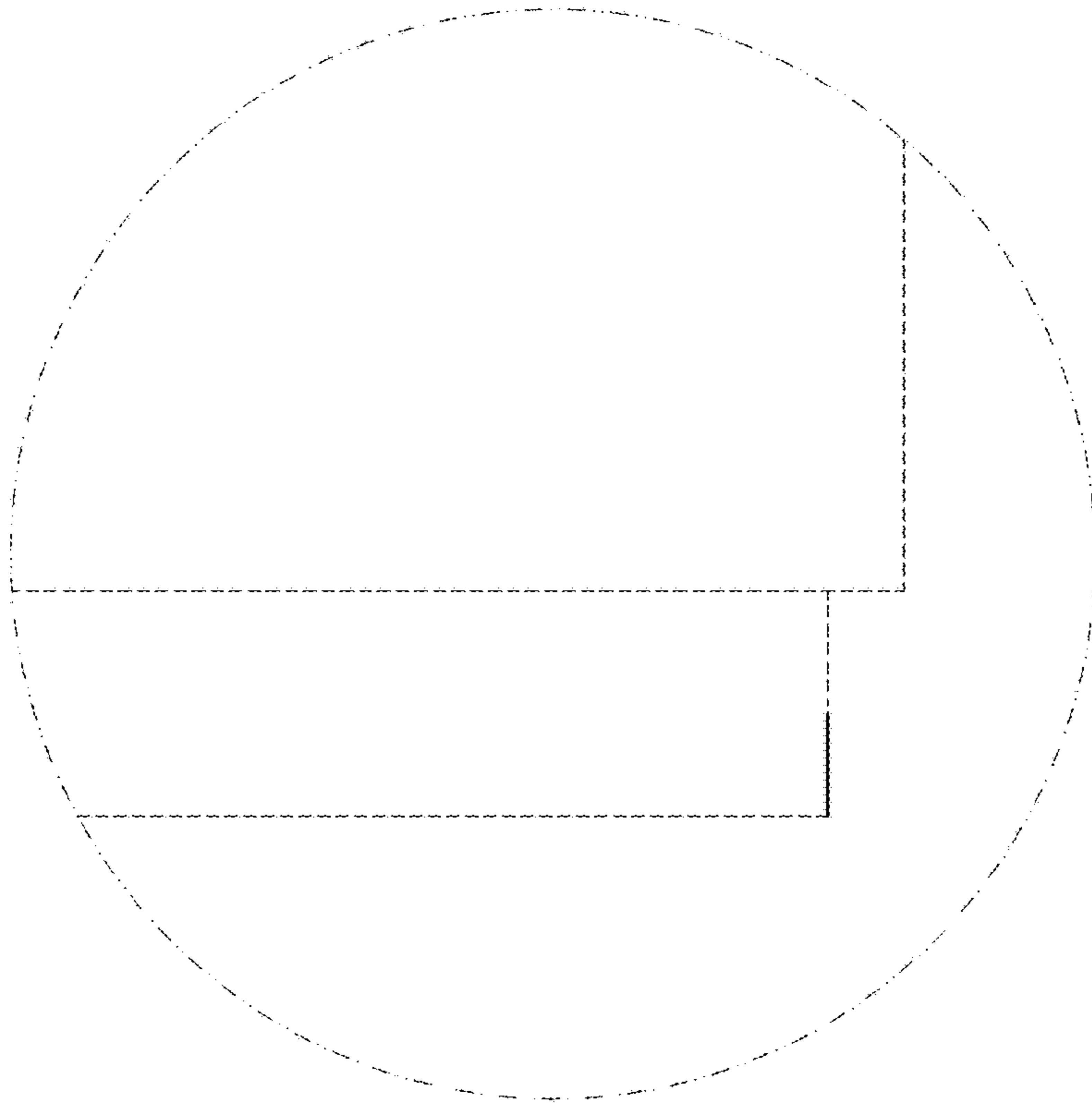


FIG. 14

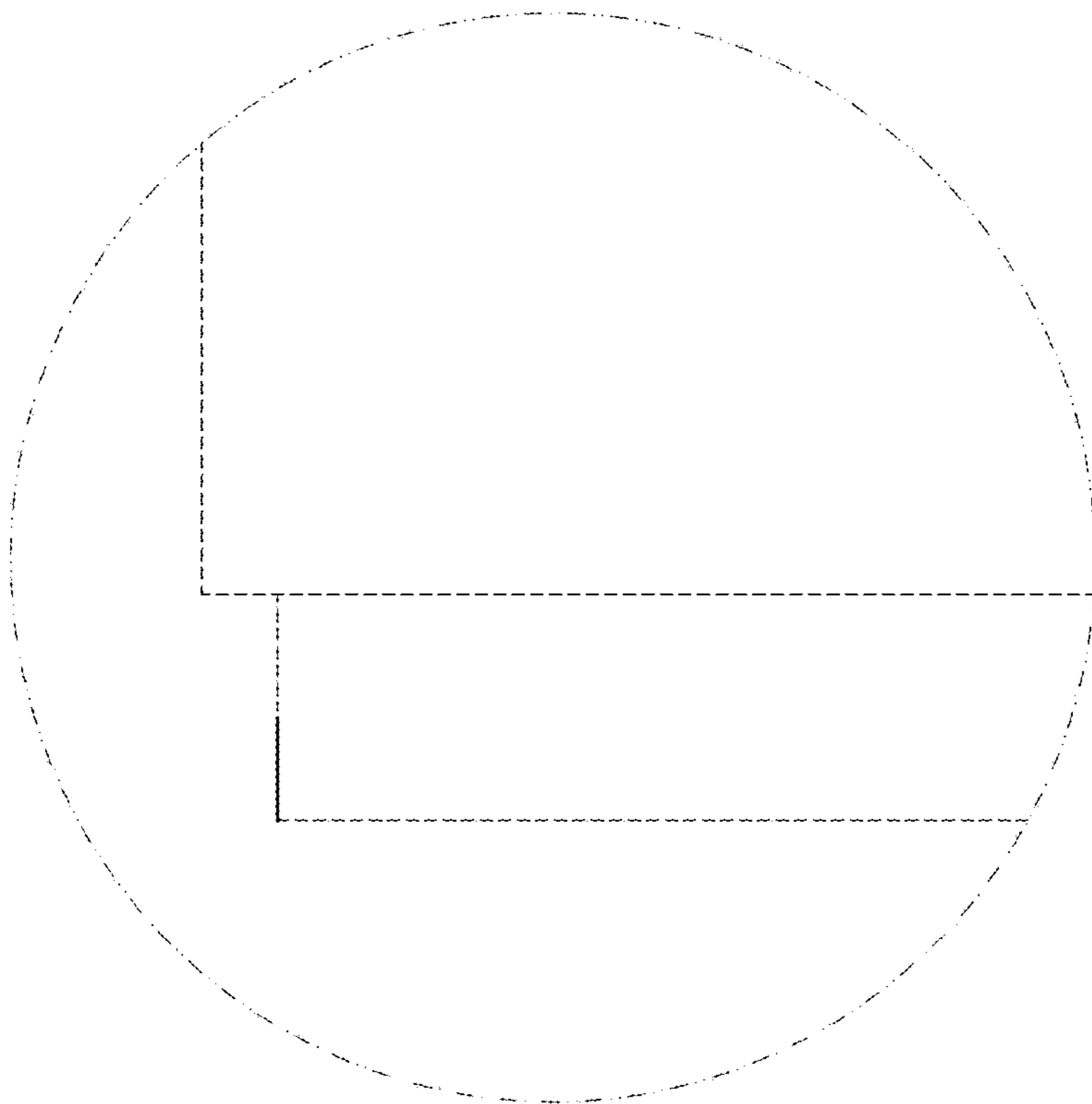


FIG. 15

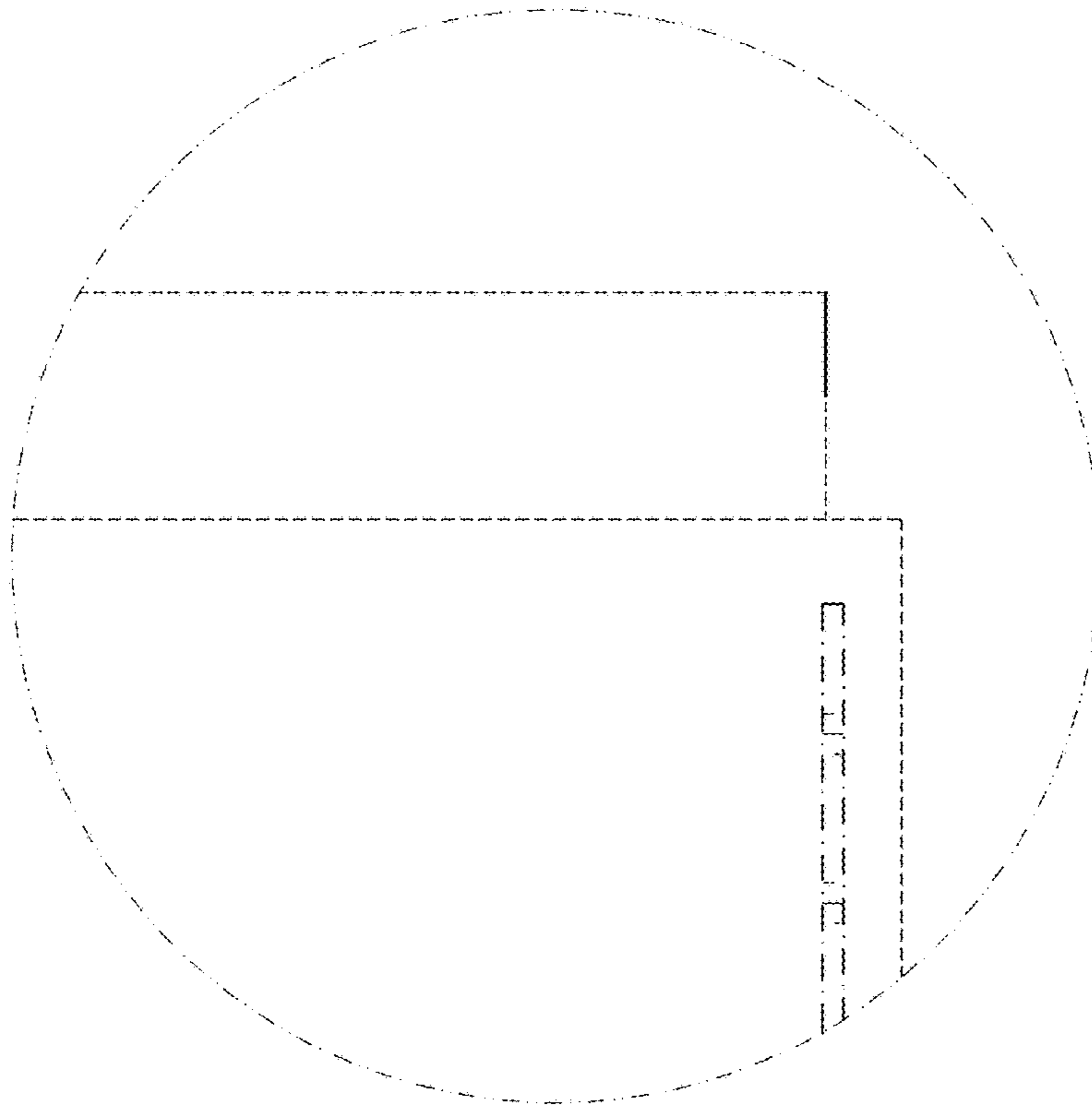


FIG. 16

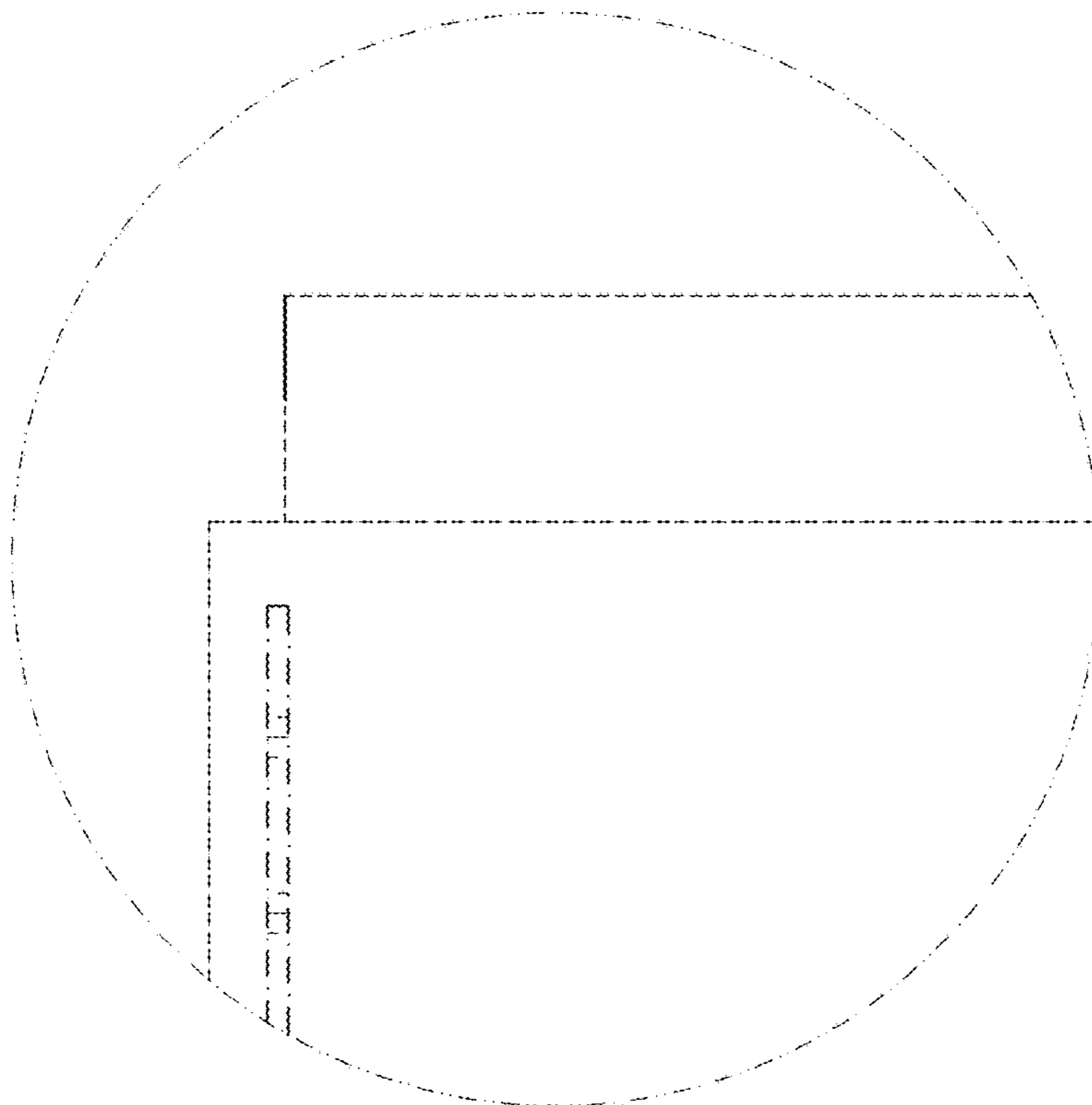


FIG. 17

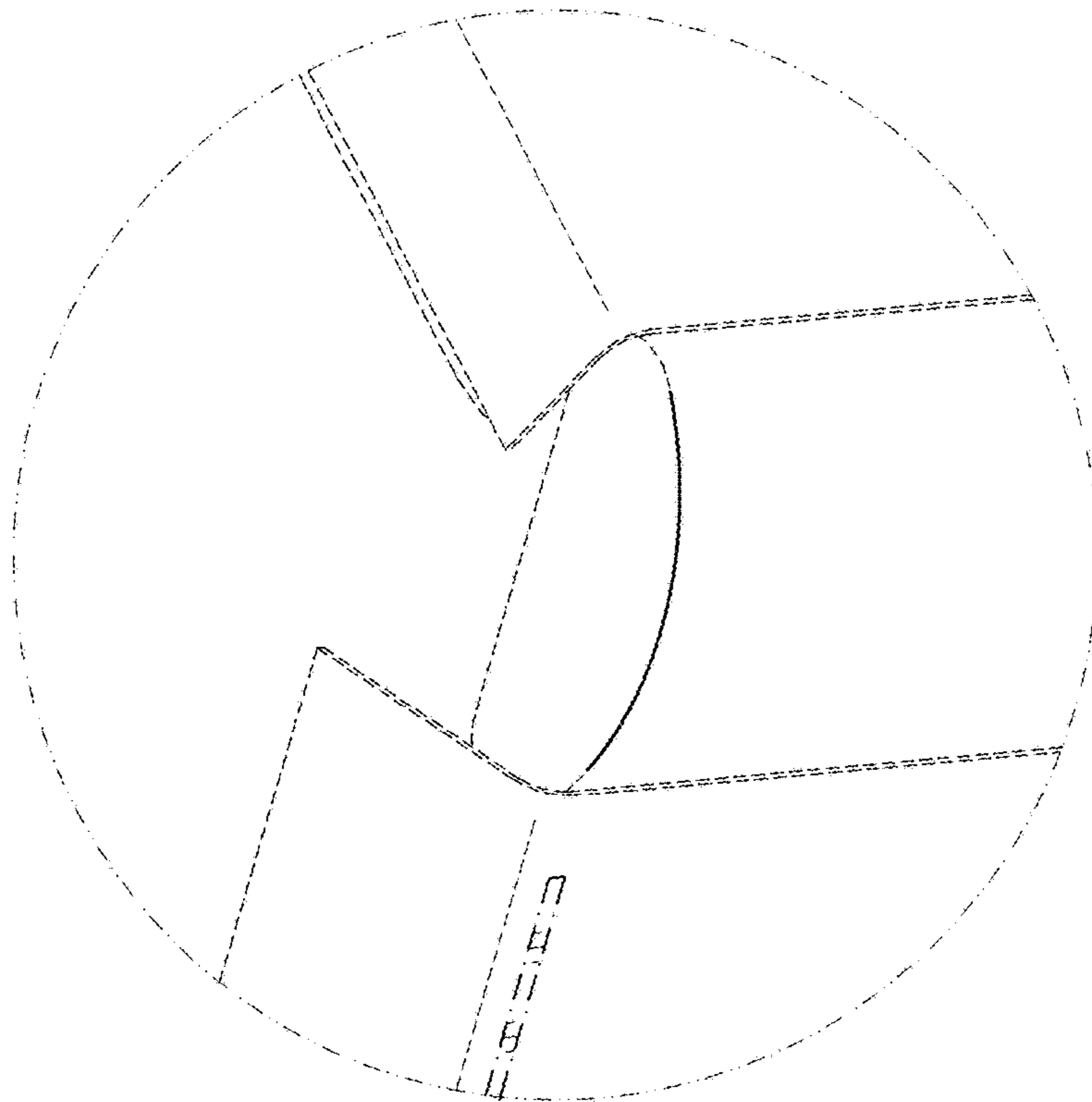


FIG. 18

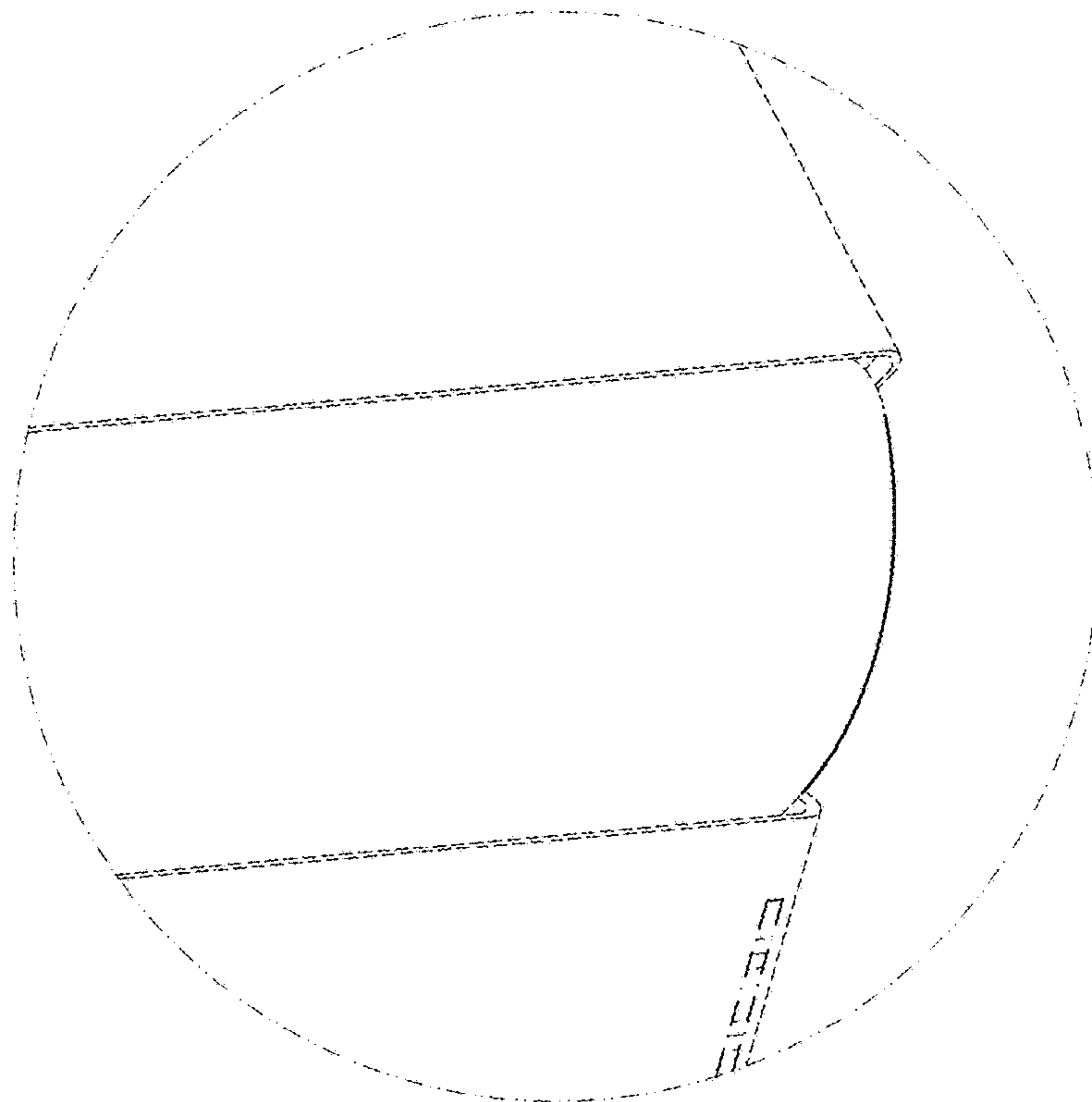


FIG. 19