



US00D810728S

(12) **United States Design Patent**
Amit et al.

(10) **Patent No.:** **US D810,728 S**
(45) **Date of Patent:** **** Feb. 20, 2018**

(54) **PORTION OF A HANDHELD DEVICE**
(71) Applicant: **Google Inc.**, Mountain View, CA (US)
(72) Inventors: **Gadi Amit**, San Mateo, CA (US);
Daniel J. Clifton, San Francisco, CA
(US); **Paul Eremenko**, Mountain View,
CA (US); **Inbal Etgar**, San Francisco,
CA (US); **Susan Elizabeth McKinney**,
San Francisco, CA (US)
(73) Assignee: **Google LLC**, Mountain View, CA (US)
(**) Term: **15 Years**

4,491,970 A * 1/1985 LaWhite H04B 1/0343
455/100
D289,873 S 5/1987 Gemmell
D297,518 S * 9/1988 Yuen D10/106.1
D338,656 S 8/1993 Spayde
D346,580 S 5/1994 Tattari
D349,681 S 8/1994 Siddoway
D357,896 S 5/1995 Berry
5,530,234 A * 6/1996 Loh G06F 15/0216
235/10
5,859,628 A 1/1999 Ross
D514,123 S 1/2006 Naruki
D535,631 S 1/2007 Millora
D539,777 S * 4/2007 Pena Angarita D14/138 R
D541,784 S * 5/2007 Cho D14/138 AD
D549,538 S * 8/2007 Lee D8/69

(21) Appl. No.: **29/569,466**

(22) Filed: **Jun. 28, 2016**

Related U.S. Application Data

(63) Continuation of application No. 29/495,449, filed on
Jul. 1, 2014, now Pat. No. Des. 763,240.

(51) **LOC (11) Cl.** **14-02**

(52) **U.S. Cl.**
USPC **D14/250**; D14/138 G; D14/341

(58) **Field of Classification Search**
USPC D14/250, 341, 496, 138 AA, 138 R,
D14/138 C, 383, 218, 138 G; 345/173,
345/156, 204; D18/7; D21/606;
361/679.01, 679.27, 681, 679.56;
455/90.3, 575.1, 569.1, 422.1, 557, 566;
313/511
CPC ... H05K 7/00; H05K 5/03; G06F 1/16; G09G
3/20
See application file for complete search history.

(56) **References Cited**

U.S. PATENT DOCUMENTS

D236,492 S 8/1975 Helgesson
4,121,160 A * 10/1978 Cataldo G07C 9/00944
340/321

(Continued)

Primary Examiner — Paula Allen Greene

(74) *Attorney, Agent, or Firm* — Dority & Manning, P.A.

(57) **CLAIM**

The ornamental design for a portion of a handheld device,
substantially as shown and described.

DESCRIPTION

FIG. 1 is a perspective front view of a first embodiment of
a handheld device.

FIG. 2 is a front view of the embodiment of FIG. 1.

FIG. 3 is a rear view of the embodiment of FIG. 1.

FIG. 4 is a left side view of the embodiment of FIG. 1.

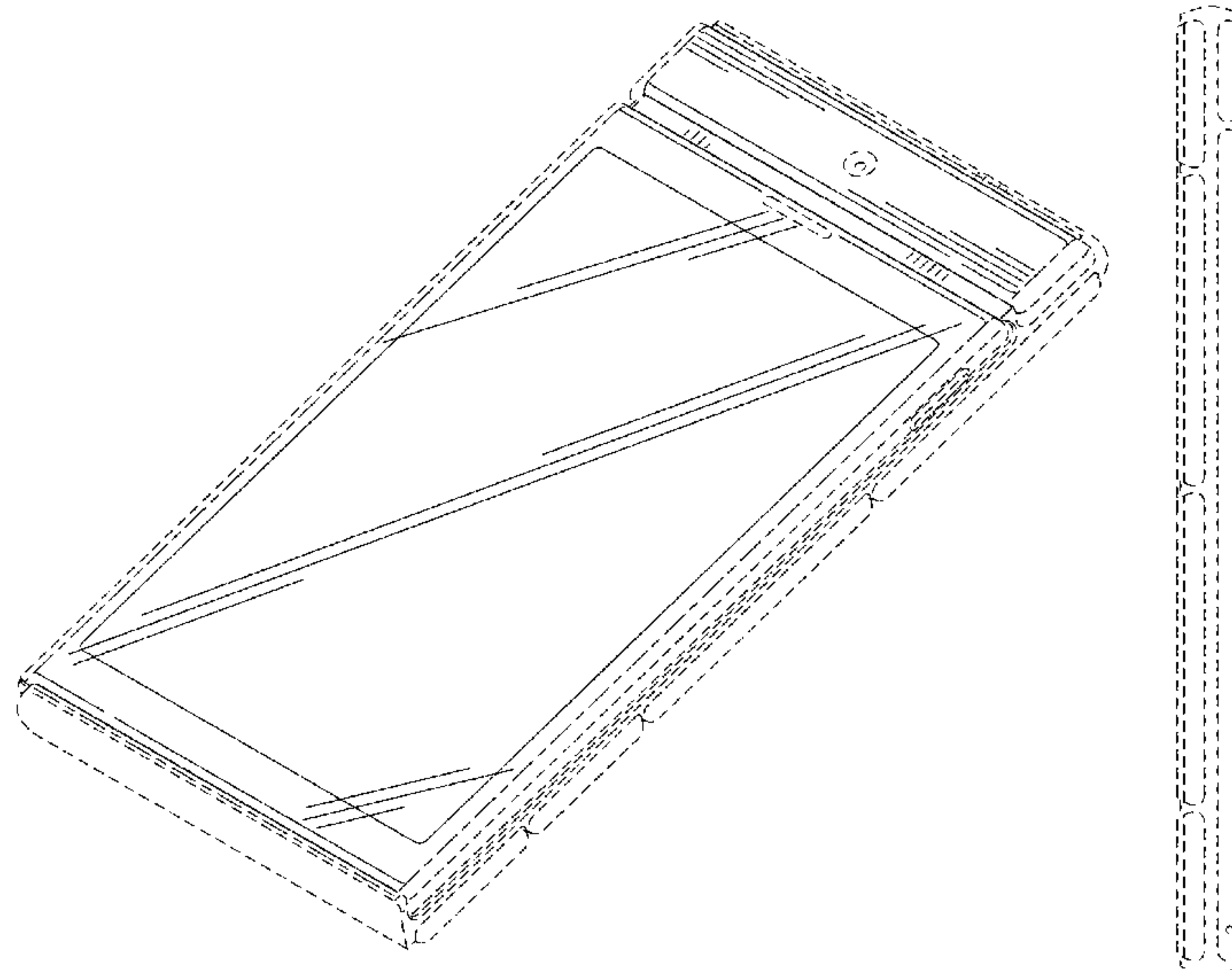
FIG. 5 is a right side view of the embodiment of FIG. 1.

FIG. 6 is a bottom view of the embodiment of FIG. 1; and,

FIG. 7 is a top view of the embodiment of FIG. 1.

The broken lines immediately adjacent the shaded areas
represent the bounds of the claimed design while all other
broken lines are directed to environment and are for illus-
trative purposes only; the broken lines form no part of the
claimed design.

1 Claim, 4 Drawing Sheets



(56)

References Cited

U.S. PATENT DOCUMENTS

D557,673 S 12/2007 Lee
 D558,197 S 12/2007 Forester
 D560,686 S 1/2008 Kim
 D561,783 S 2/2008 Schmelling
 D567,819 S 4/2008 Devericks
 D569,830 S * 5/2008 Kwak D14/138 AD
 D573,565 S 7/2008 Edwards
 D580,387 S 11/2008 Andre
 D580,393 S * 11/2008 Kim D14/138 AD
 D586,310 S * 2/2009 Park D14/138 AD
 D592,646 S 5/2009 Sun
 D594,030 S 6/2009 Rayn
 D602,014 S 10/2009 Andre
 D606,061 S 12/2009 Chen
 D606,986 S 12/2009 de Jong
 D607,427 S 1/2010 Ho
 D608,318 S * 1/2010 Kim D14/138 AD
 D617,755 S * 6/2010 Leinvuo D14/138 G
 D620,919 S 8/2010 Lee
 D622,244 S * 8/2010 Miyazawa D14/138 G
 D627,344 S 11/2010 Chien
 D629,799 S 12/2010 Andre
 7,872,861 B2 * 1/2011 Ou H04M 1/0237
 361/679.26
 D634,313 S 3/2011 Fitzpatrick
 7,899,504 B2 3/2011 Impio
 7,917,185 B2 * 3/2011 Shi H01M 2/1066
 379/433.01
 D635,536 S 4/2011 Xiao
 D638,015 S 5/2011 Chong
 D638,835 S * 5/2011 Akana D14/341
 D641,333 S 7/2011 Lee
 D641,346 S 7/2011 Fathollahi
 D648,693 S * 11/2011 Kim D14/138 AD
 D654,931 S 2/2012 Lemelman
 D655,699 S 3/2012 Bau
 D656,494 S 3/2012 Bau
 D662,932 S 7/2012 Park

8,245,843 B1 8/2012 Wu
 D672,344 S * 12/2012 Li D14/341
 D674,801 S 1/2013 Wharram
 D677,640 S * 3/2013 Kim D14/138 G
 D685,776 S 7/2013 Bau
 D689,840 S * 9/2013 Lu D14/138 G
 D698,341 S 1/2014 Lee
 D703,632 S * 4/2014 Lim D14/138 G
 D714,784 S 10/2014 Park
 D719,145 S 12/2014 Barfoot
 D726,169 S 4/2015 Powell
 D750,618 S * 3/2016 Amit D14/341
 D750,619 S * 3/2016 Amit D14/341
 D756,979 S * 5/2016 Kim D14/250
 D757,002 S * 5/2016 Amit D14/345
 D759,643 S * 6/2016 Amit D14/250
 D763,240 S * 8/2016 Amit D14/250
 D764,457 S * 8/2016 Amit D13/182
 D769,866 S * 10/2016 Amit D14/250
 D772,863 S * 11/2016 Amit D14/341
 D787,467 S * 5/2017 Xu D14/138 C
 D793,985 S * 8/2017 Lee D14/138 G
 2005/0191970 A1 * 9/2005 Hasegawa H04B 1/3816
 455/90.3
 2007/0293285 A1 * 12/2007 Kang H04M 1/0214
 455/575.1
 2008/0161061 A1 * 7/2008 You H04M 1/0208
 455/566
 2008/0268901 A1 * 10/2008 Miramontes H04M 1/0208
 455/556.1
 2009/0104931 A1 * 4/2009 Chiang H04M 1/0254
 455/575.3
 2010/0089779 A1 4/2010 Bowers
 2011/0070929 A1 * 3/2011 Li H04B 1/3818
 455/575.1
 2011/0230178 A1 * 9/2011 Jones H04M 1/0235
 455/422.1
 2016/0057259 A1 * 2/2016 Eremenko H04M 1/0254
 455/575.1

* cited by examiner

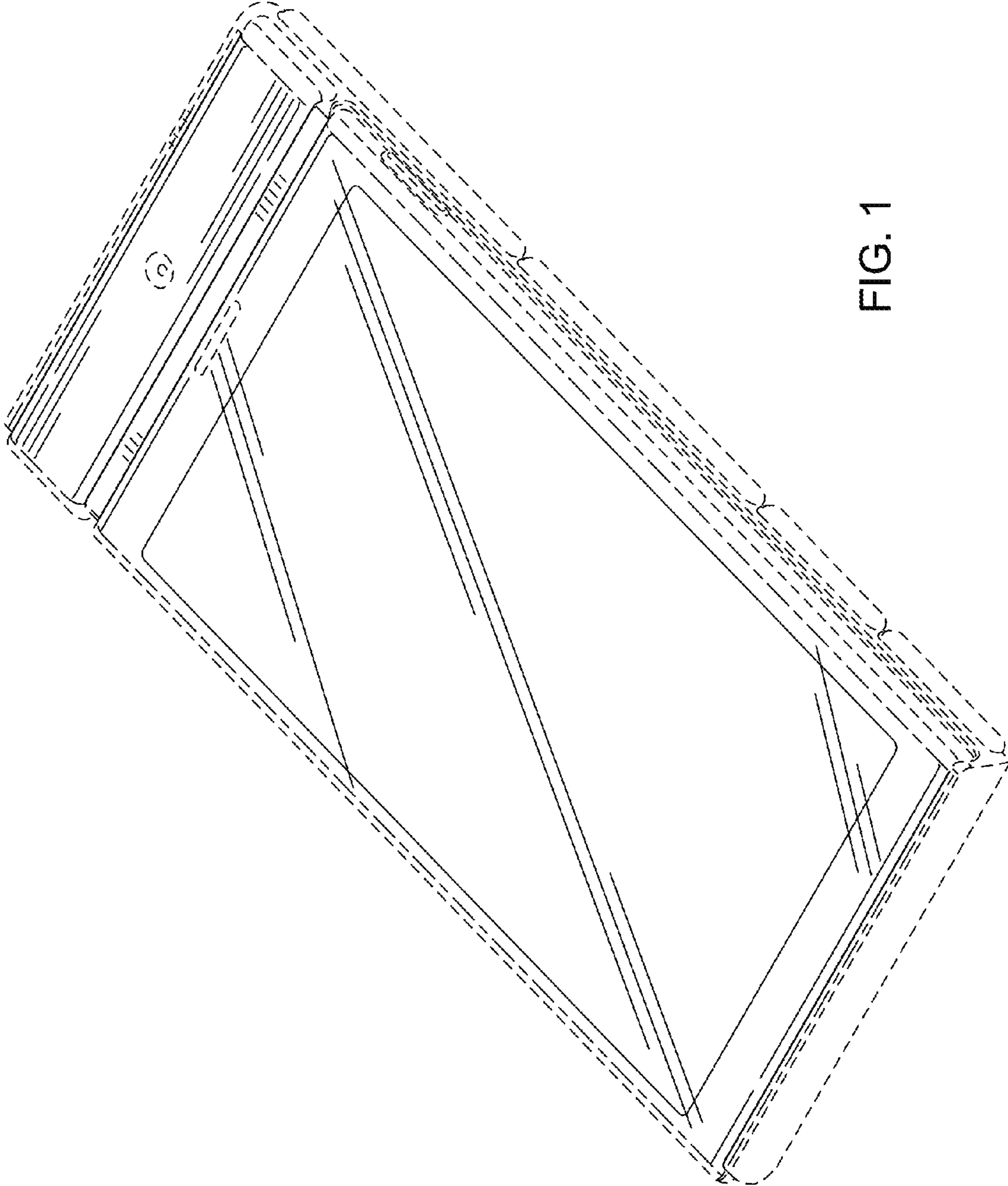


FIG. 1

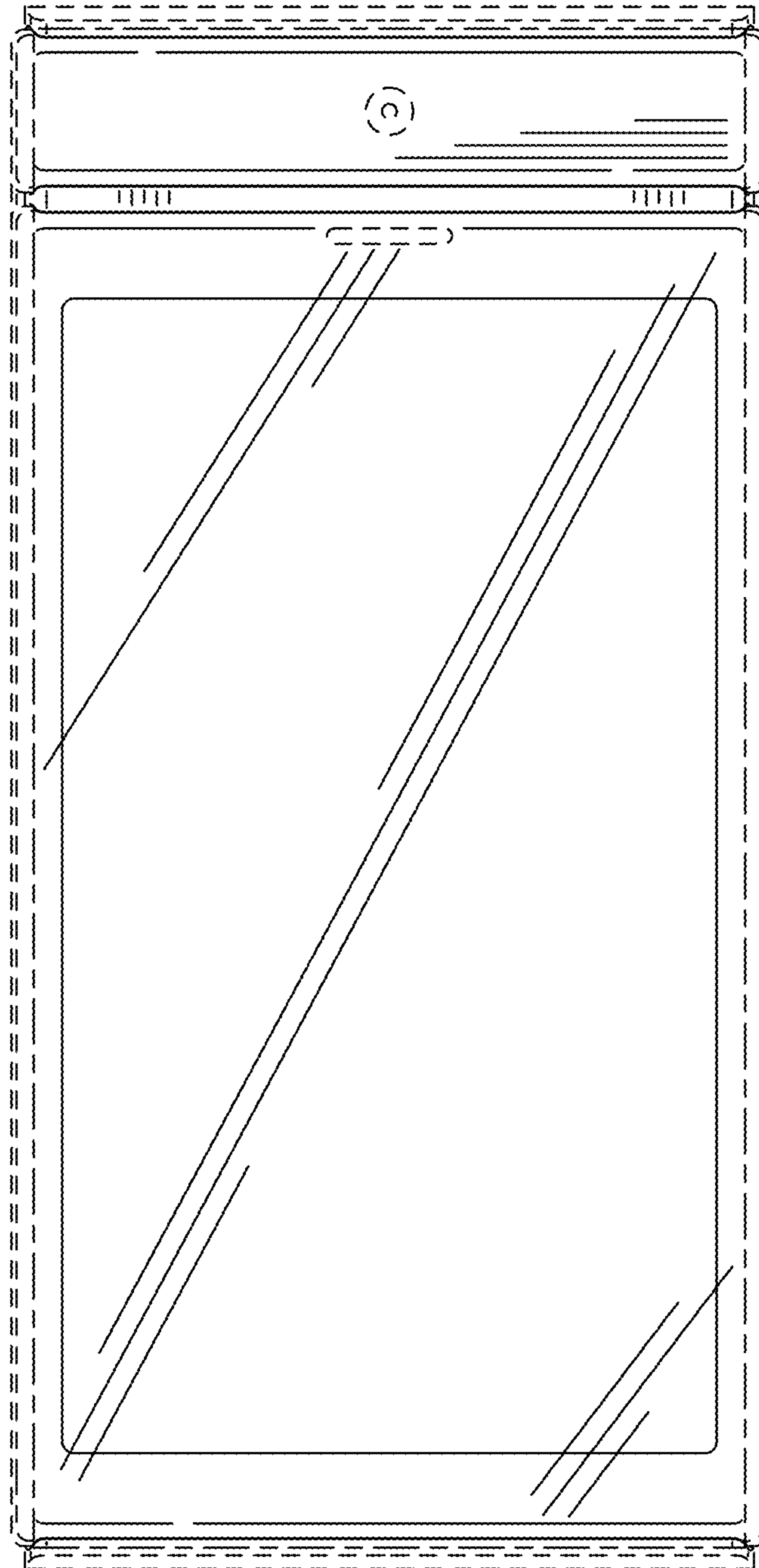


FIG. 2

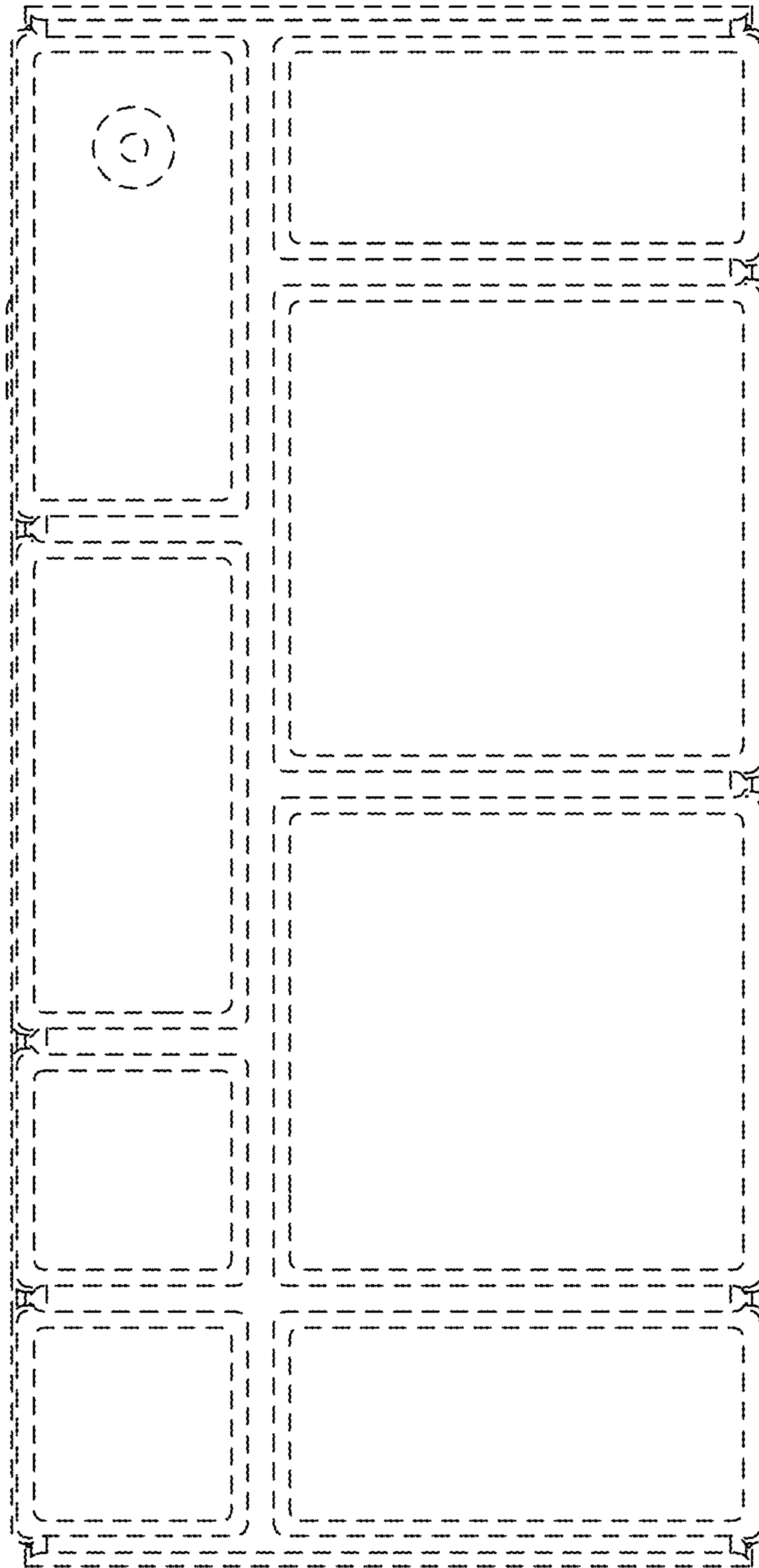


FIG. 3

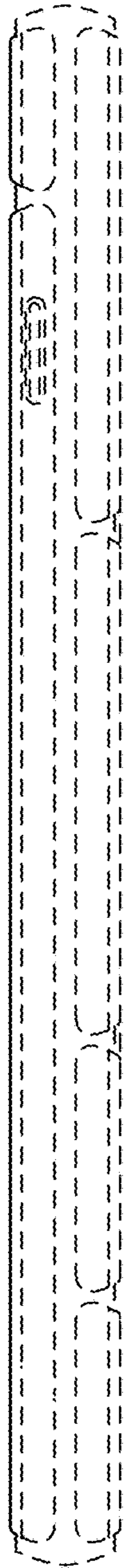


FIG. 4

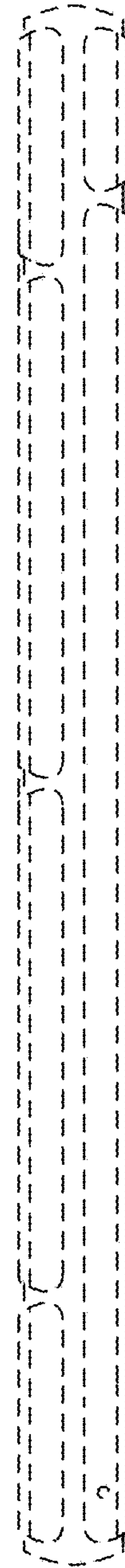


FIG. 5

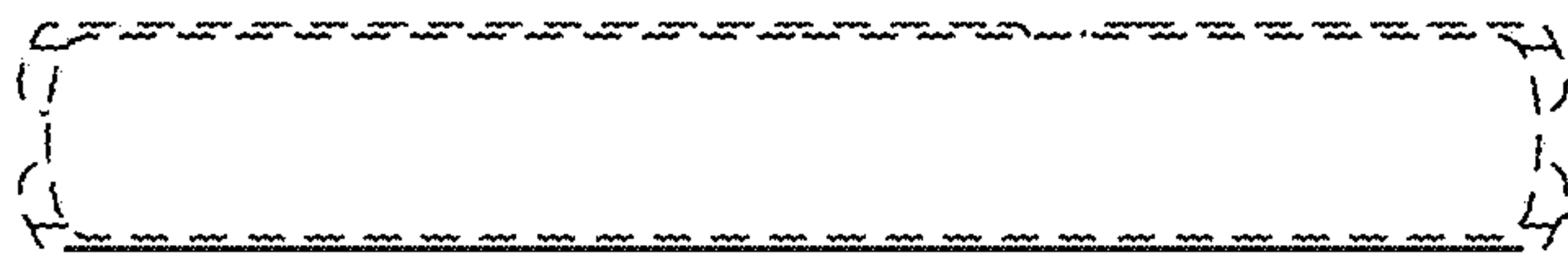


FIG. 6



FIG. 7