



US00D810724S

(12) **United States Design Patent**  
**Czaniecki et al.**

(10) **Patent No.:** **US D810,724 S**  
(45) **Date of Patent:** **\*\* Feb. 20, 2018**

- (54) **HEADPHONE**
- (71) Applicant: **Harman International Industries, Incorporated, Northridge, CA (US)**
- (72) Inventors: **Rafal Czaniecki, Shenzhen (CN); Jinwon Yook, Shenzhen (CN)**
- (73) Assignee: **Harman International Industries, Incorporated, Northridge, CA (US)**
- (\*\*) Term: **15 Years**
- (21) Appl. No.: **29/576,144**
- (22) Filed: **Aug. 31, 2016**
- (51) **LOC (11) Cl.** ..... **14-01**
- (52) **U.S. Cl.**  
USPC ..... **D14/223; D14/372**
- (58) **Field of Classification Search**  
USPC ..... D14/205, 223, 372, 167, 156, 433, 432, D14/192, 240; 181/129, 130, 135; 379/430, 431; 381/380, 381, 374, 74, 381/122; 455/90.3, 575.1, 569.1  
CPC ..... H04R 25/00; H04R 1/10; H04R 1/1066; H04R 1/1016; H04R 5/033; H04R 5/0335  
See application file for complete search history.

- (56) **References Cited**  
**U.S. PATENT DOCUMENTS**  
4,539,671 A \* 9/1985 Higashihara ..... G11B 7/0037 369/213  
4,584,718 A \* 4/1986 Fuller ..... G11B 33/025 181/149  
D316,550 S \* 4/1991 Sogabe ..... D14/168  
D326,655 S \* 6/1992 Iribe ..... D14/192  
D334,943 S \* 4/1993 Suzuki ..... D18/39  
D391,572 S \* 3/1998 Lee ..... D14/192  
D428,870 S \* 8/2000 Hayashi ..... D14/165  
6,122,369 A \* 9/2000 Hwang ..... H04M 1/6058 379/420.03

- 6,438,248 B1 \* 8/2002 Kamimura ..... H04M 1/05 381/374
- D481,377 S \* 10/2003 Eguchi ..... D14/223
- 6,712,304 B1 \* 3/2004 Taylor ..... H04M 1/05 242/379
- D500,485 S \* 1/2005 Deguchi ..... D14/480.4
- D511,157 S \* 11/2005 Johnson ..... D14/223
- D517,052 S \* 3/2006 Skulley ..... D14/223
- D526,642 S \* 8/2006 Choe ..... D14/205

(Continued)

*Primary Examiner* — Paula Allen Greene  
(74) *Attorney, Agent, or Firm* — Plumsea Law Group, LLC

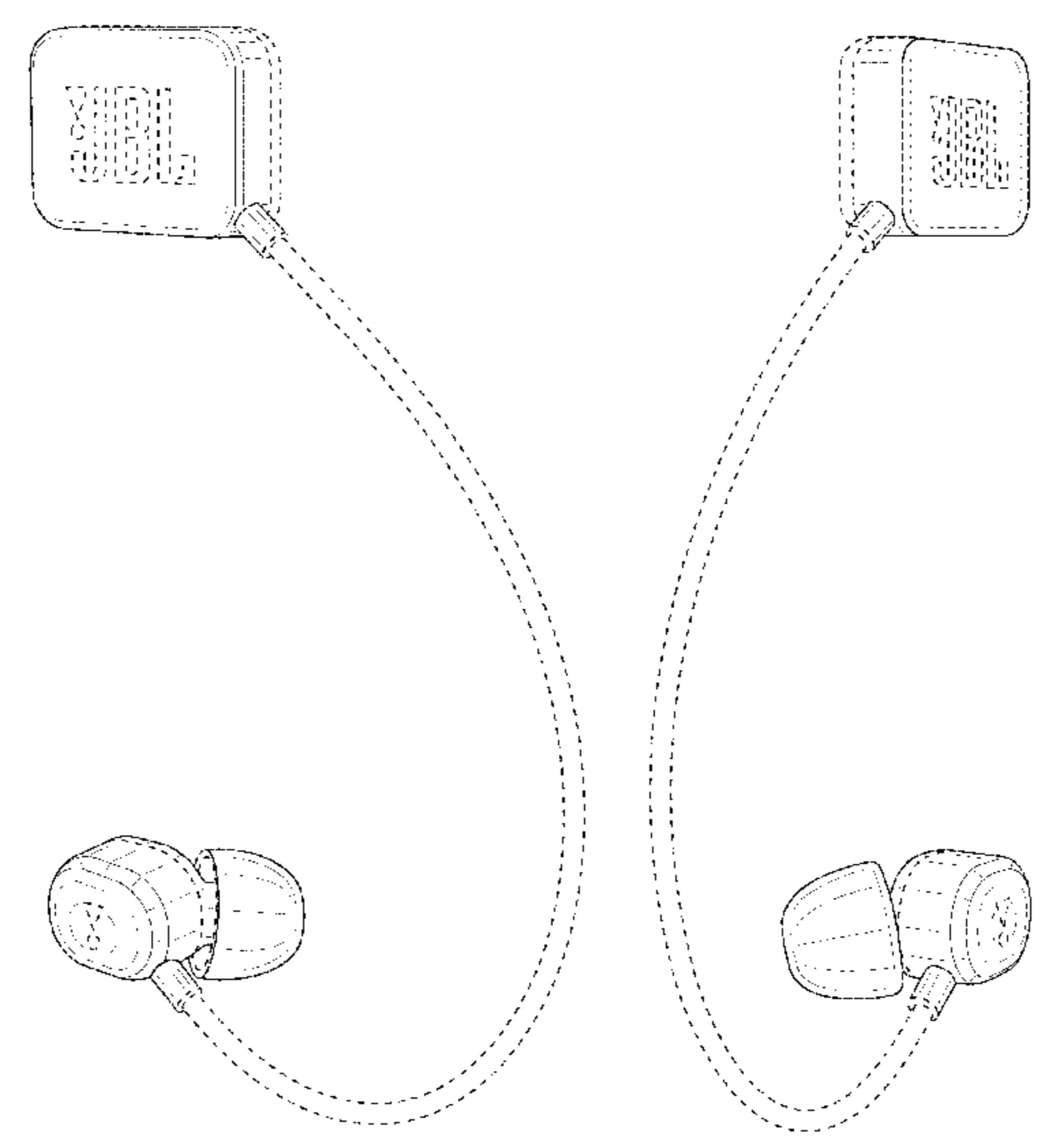
(57) **CLAIM**

The ornamental design for a headphone, as shown and described.

**DESCRIPTION**

FIG. 1 is a perspective view of a headphone showing our new design;  
 FIG. 2 is a front elevational view thereof;  
 FIG. 3 is a rear elevational view thereof;  
 FIG. 4 is a side elevational view of one side thereof;  
 FIG. 5 is a side elevational view of the opposite side thereof;  
 FIG. 6 is a top plan view thereof;  
 FIG. 7 is a bottom plan view thereof;  
 FIG. 8 is a perspective view of an opposite-handed embodiment of the headphone showing our new design;  
 FIG. 9 is a front elevational view thereof;  
 FIG. 10 is a rear elevational view thereof;  
 FIG. 11 is a side elevational view of one side thereof;  
 FIG. 12 is a side elevational view of the opposite side thereof;  
 FIG. 13 is a top plan view thereof; and,  
 FIG. 14 is a bottom plan view thereof.  
 The broken lines immediately adjacent the shaded areas represent the bounds of the claimed design, while all other broken lines depict environment; the broken lines form no part of the claimed design.

**1 Claim, 10 Drawing Sheets**



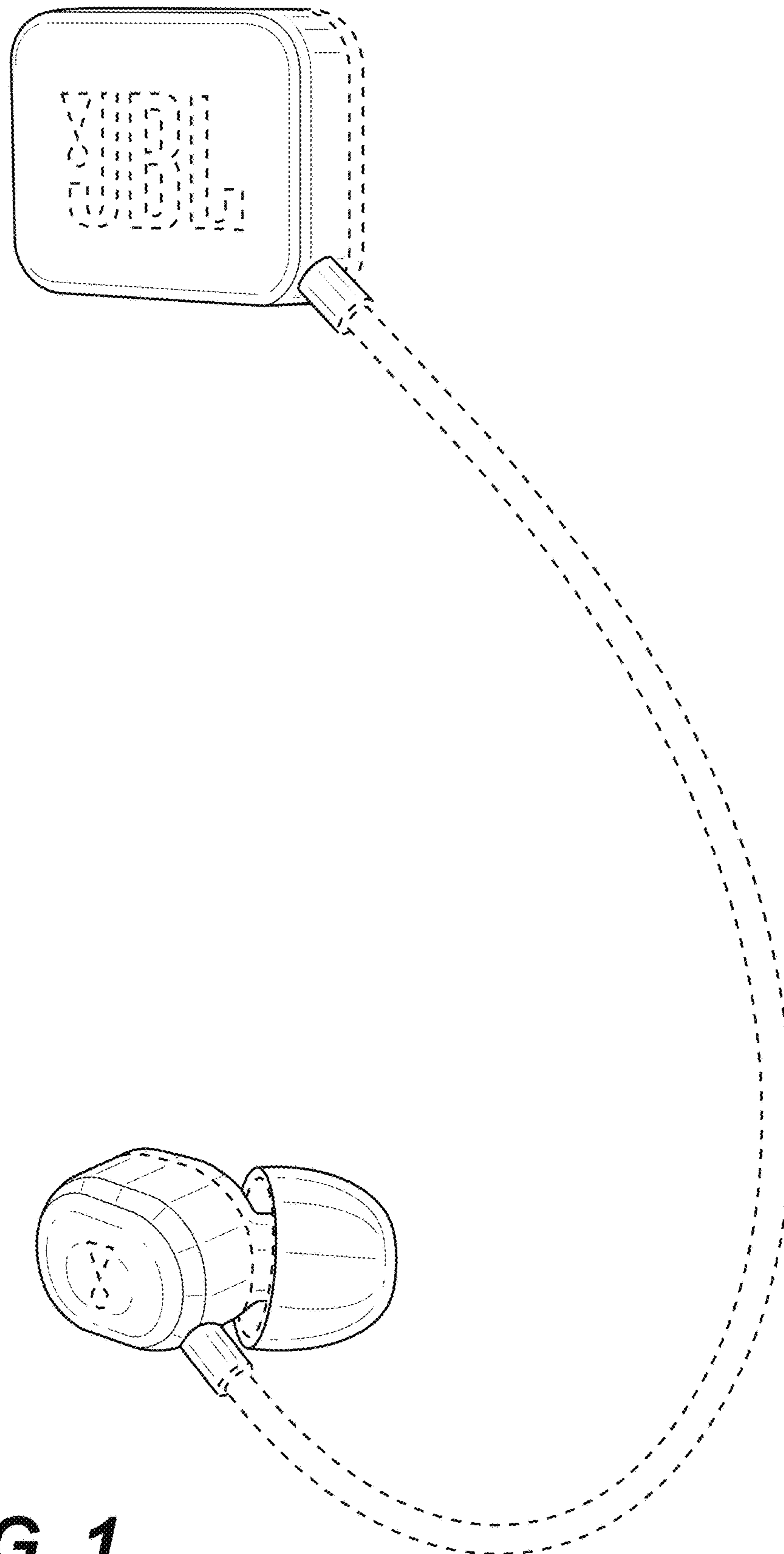
(56)

**References Cited**

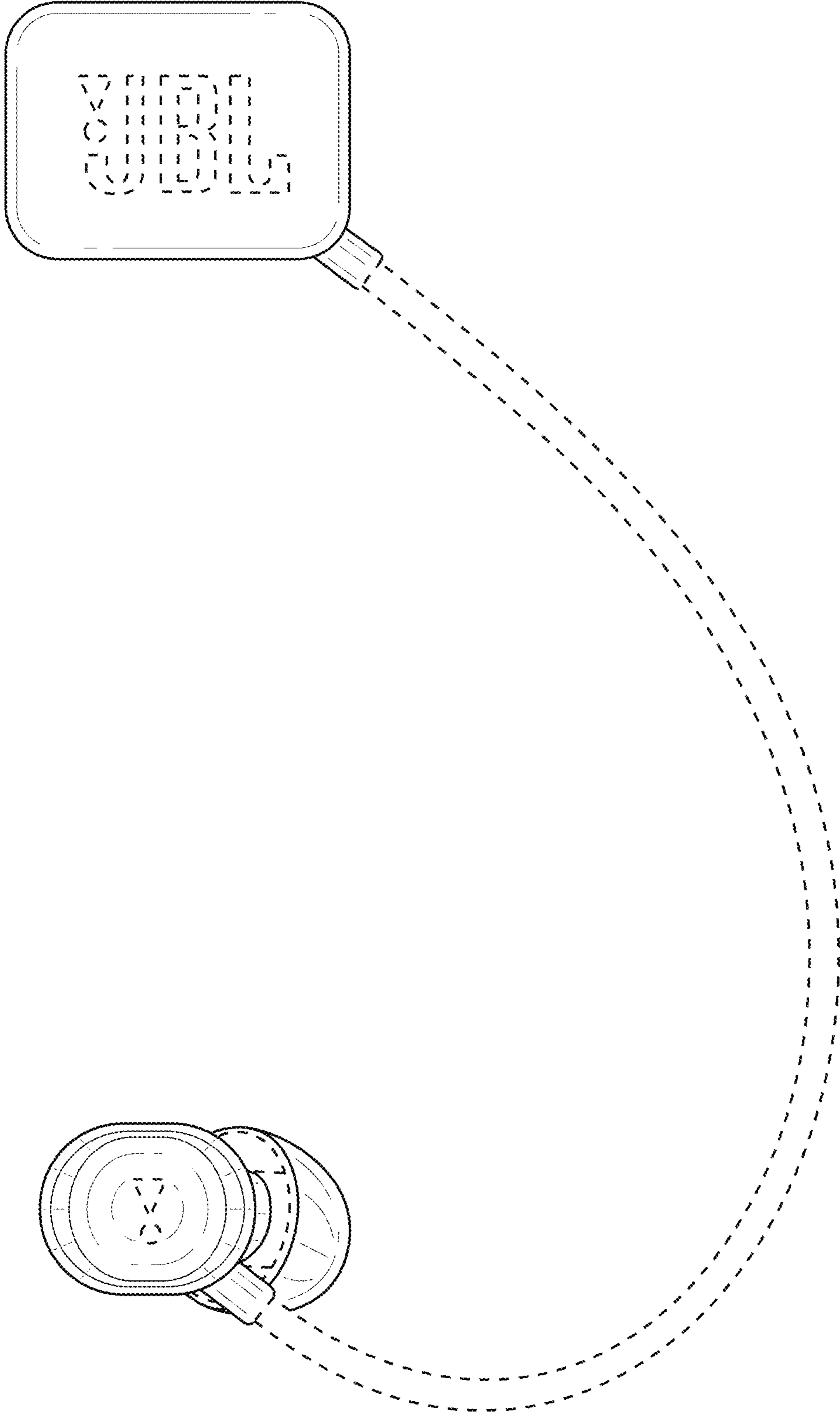
U.S. PATENT DOCUMENTS

7,086,512	B2 *	8/2006	Shack	.....	H04M 1/15 191/12 R
D550,202	S *	9/2007	Meier	.....	D14/206
D558,735	S *	1/2008	Carr	.....	D14/206
D567,216	S *	4/2008	Densho	.....	D14/205
D569,841	S *	5/2008	Chung	.....	D14/205
D587,682	S *	3/2009	Miles	.....	D14/205
D597,084	S *	7/2009	Gondo	.....	D14/223
7,664,540	B2 *	2/2010	Tsai	.....	H04M 1/05 455/575.2
D640,241	S *	6/2011	Wai	.....	D14/223
D643,830	S *	8/2011	Fish	.....	D14/205
D745,862	S *	12/2015	Otani	.....	D14/223
D745,863	S *	12/2015	Hardi	.....	D14/223
D764,445	S *	8/2016	Czaniecki	.....	D14/223
D781,822	S *	3/2017	Morris	.....	D14/223
D782,442	S *	3/2017	Chen	.....	D14/205
D790,501	S *	6/2017	Wang	.....	D14/205
2002/0090981	A1 *	7/2002	Bae	.....	H04M 1/15 455/575.5
2009/0204220	A1 *	8/2009	Trieu	.....	A61F 2/441 623/17.16
2010/0166208	A1 *	7/2010	Kato	.....	H04R 1/1033 381/74
2010/0202626	A1 *	8/2010	Shiori	.....	G06F 3/017 381/74
2013/0188803	A1 *	7/2013	Shaanan	.....	H04R 5/033 381/74

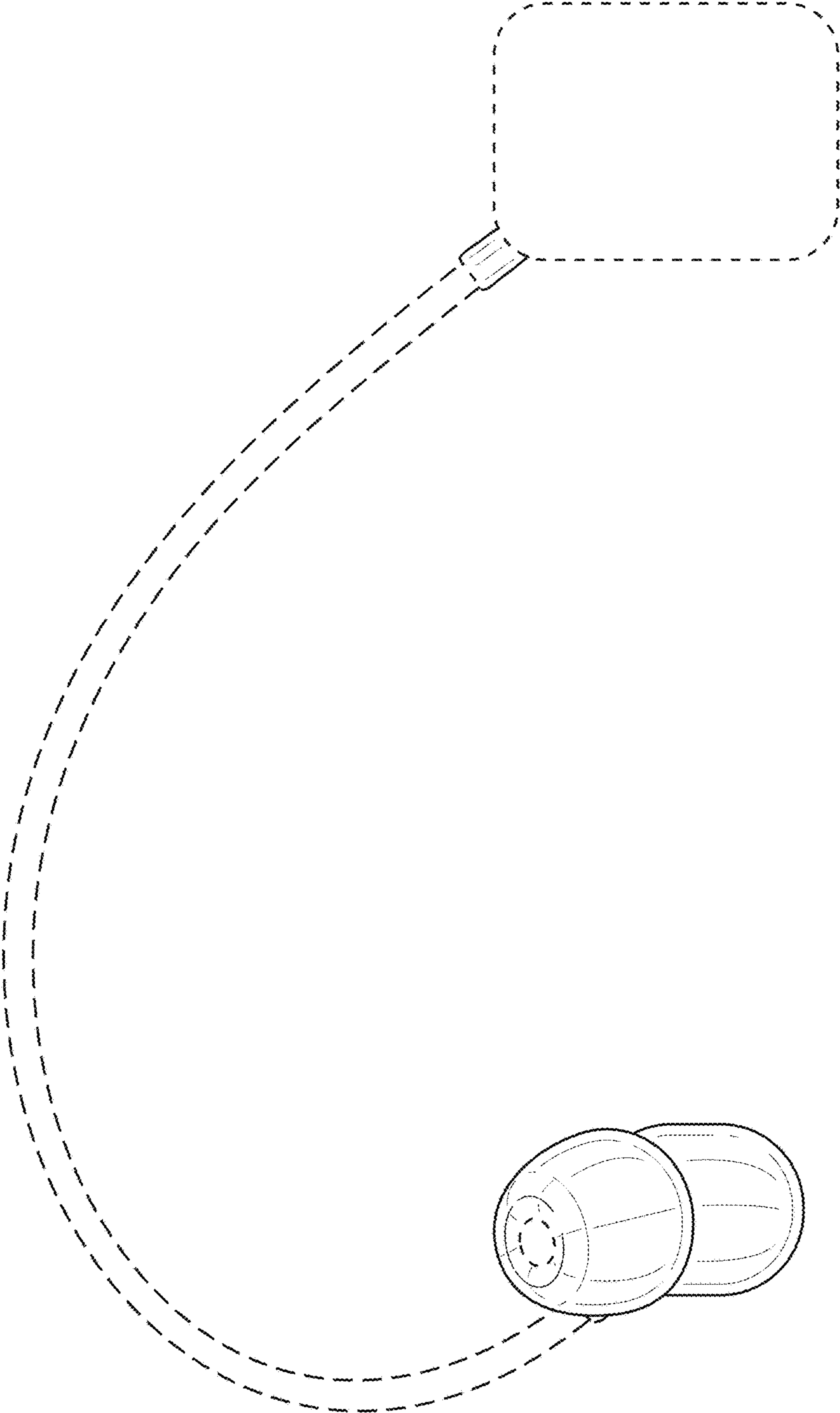
\* cited by examiner



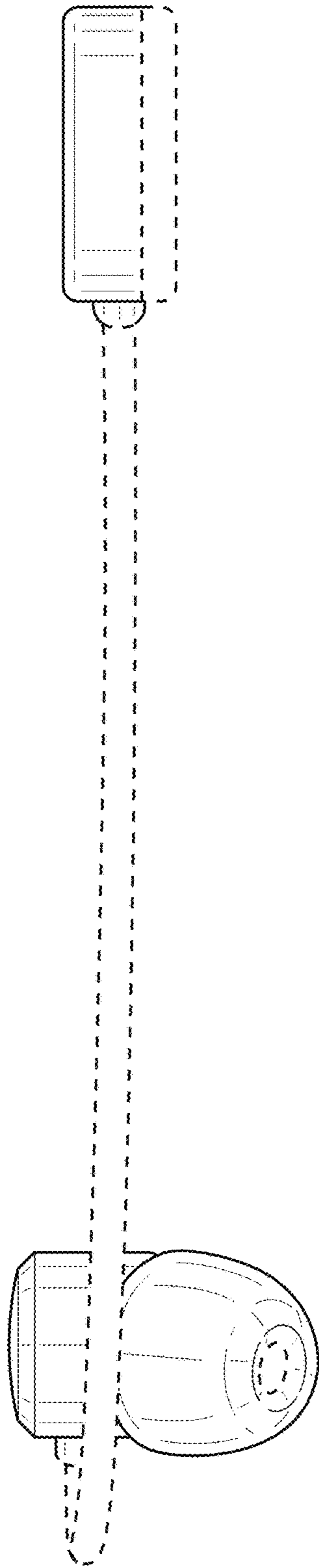
**FIG. 1**



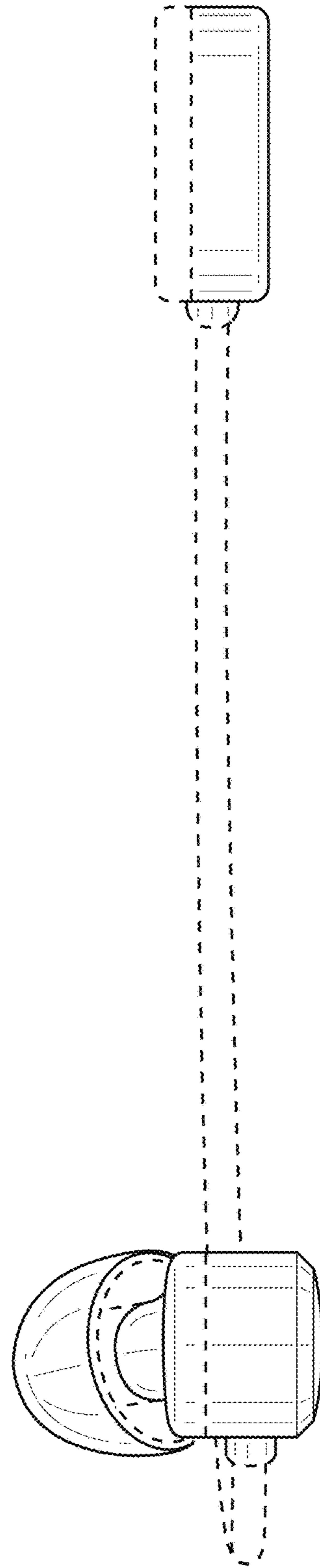
**FIG. 2**



**FIG. 3**

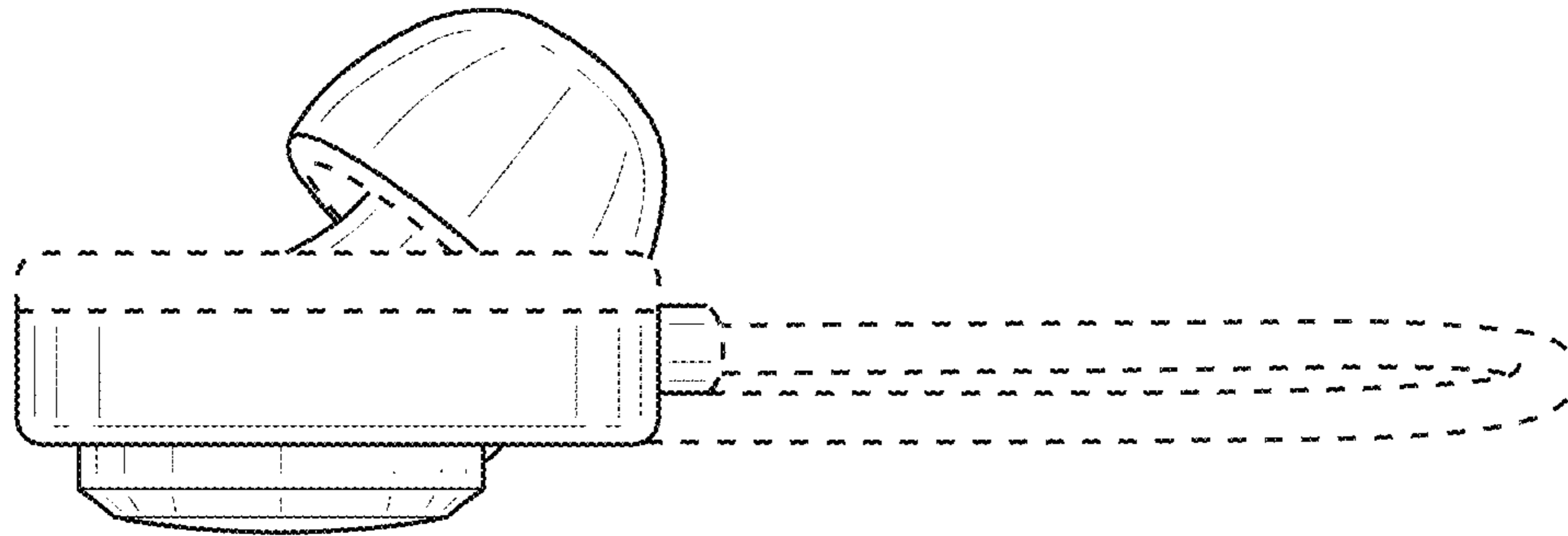


**FIG. 4**

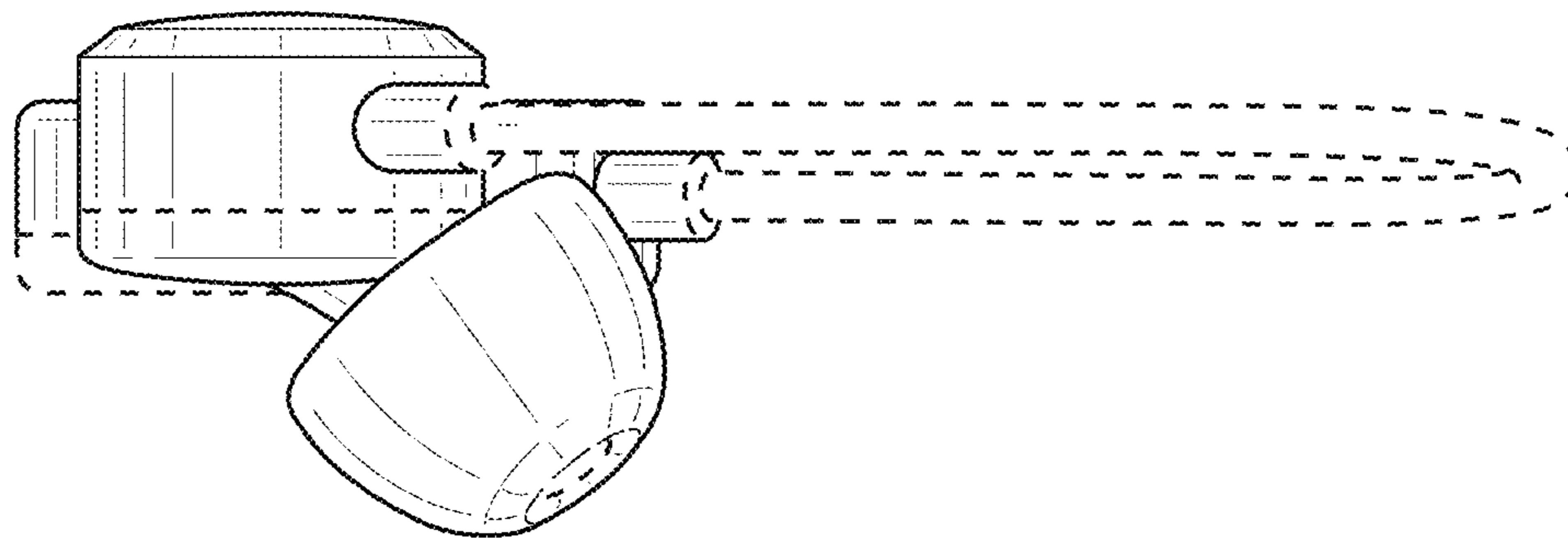


**FIG. 5**

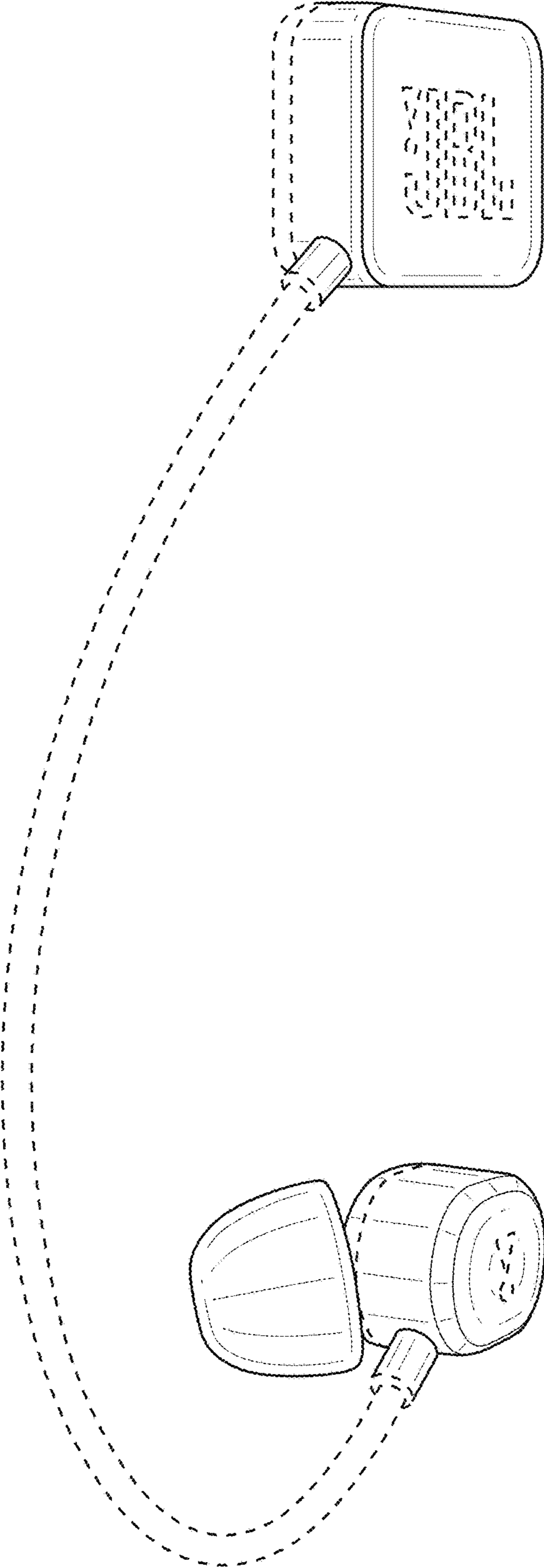




**FIG. 6**

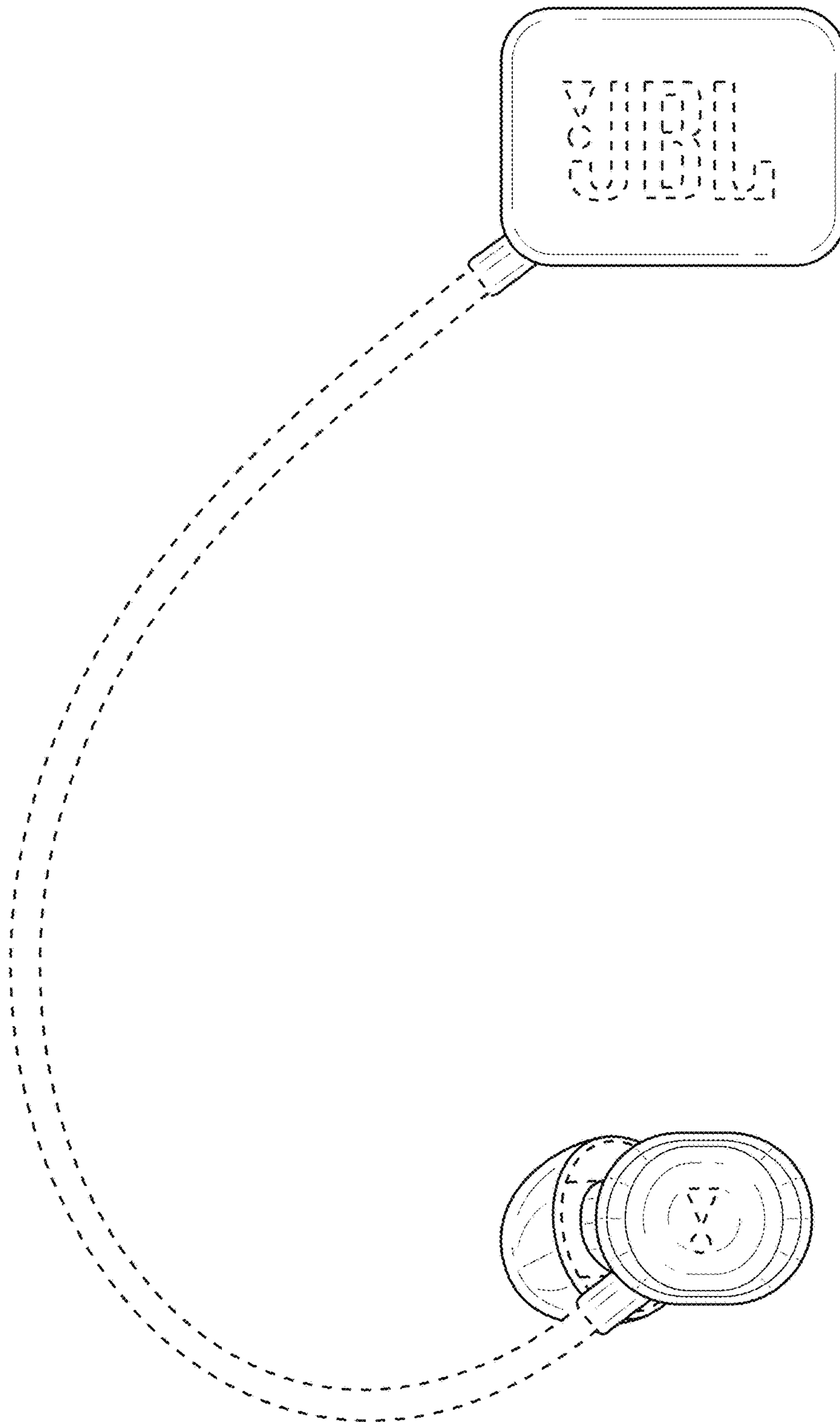


**FIG. 7**

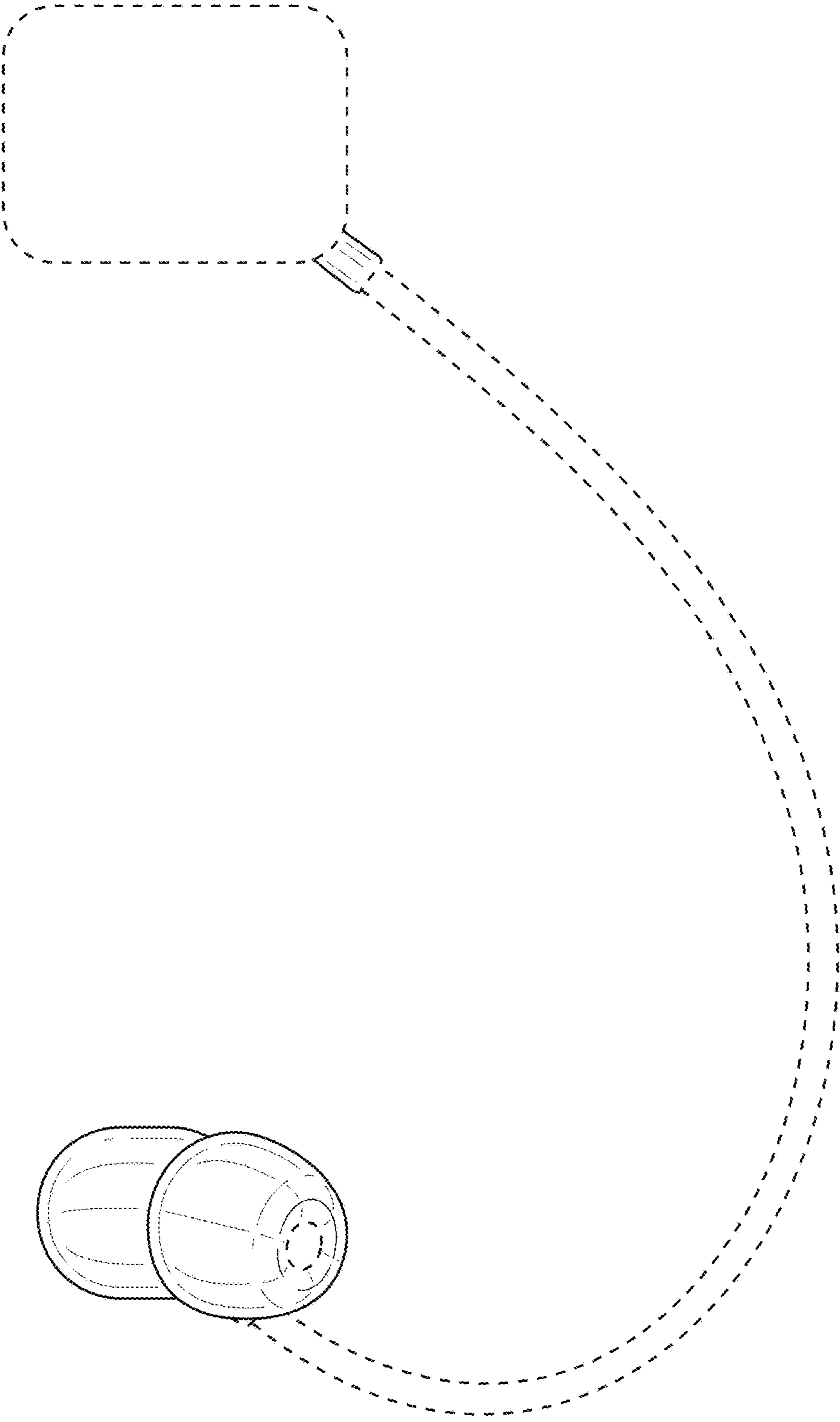


**FIG. 8**

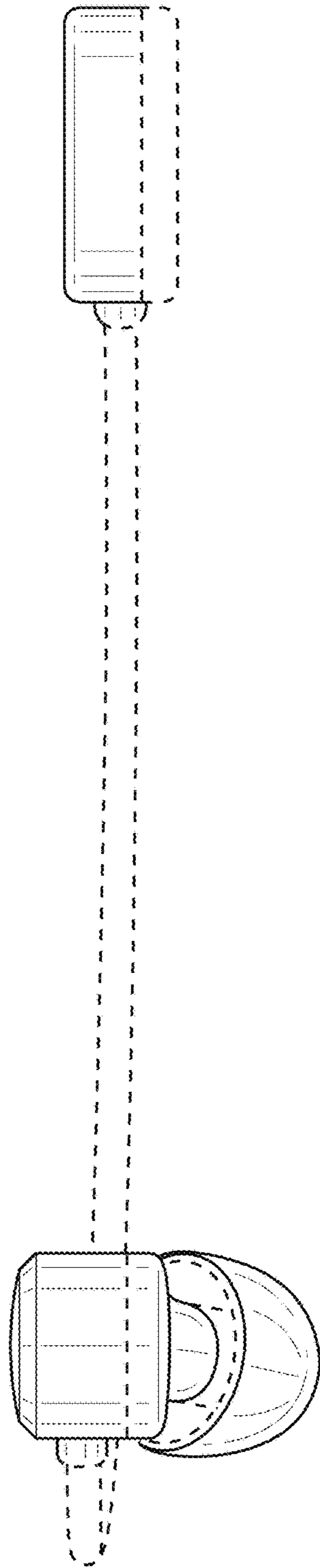




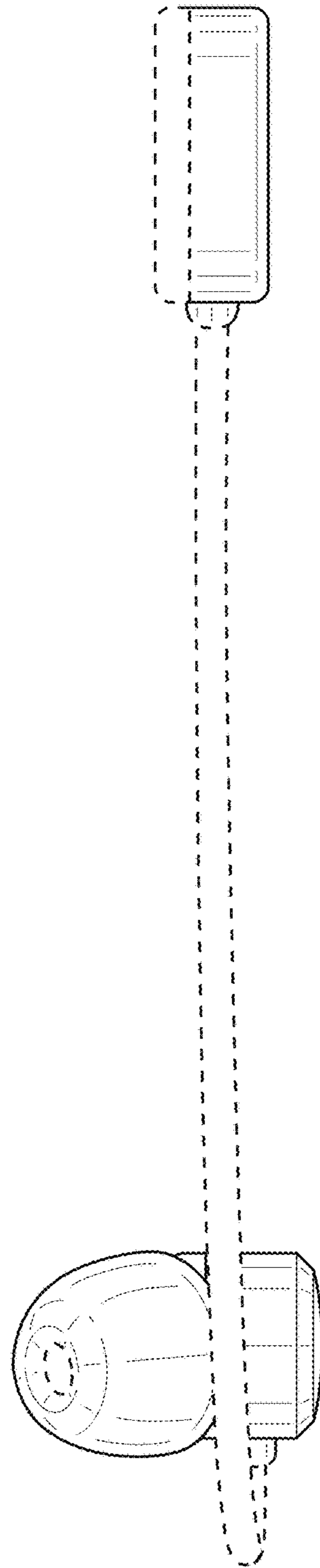
**FIG. 9**



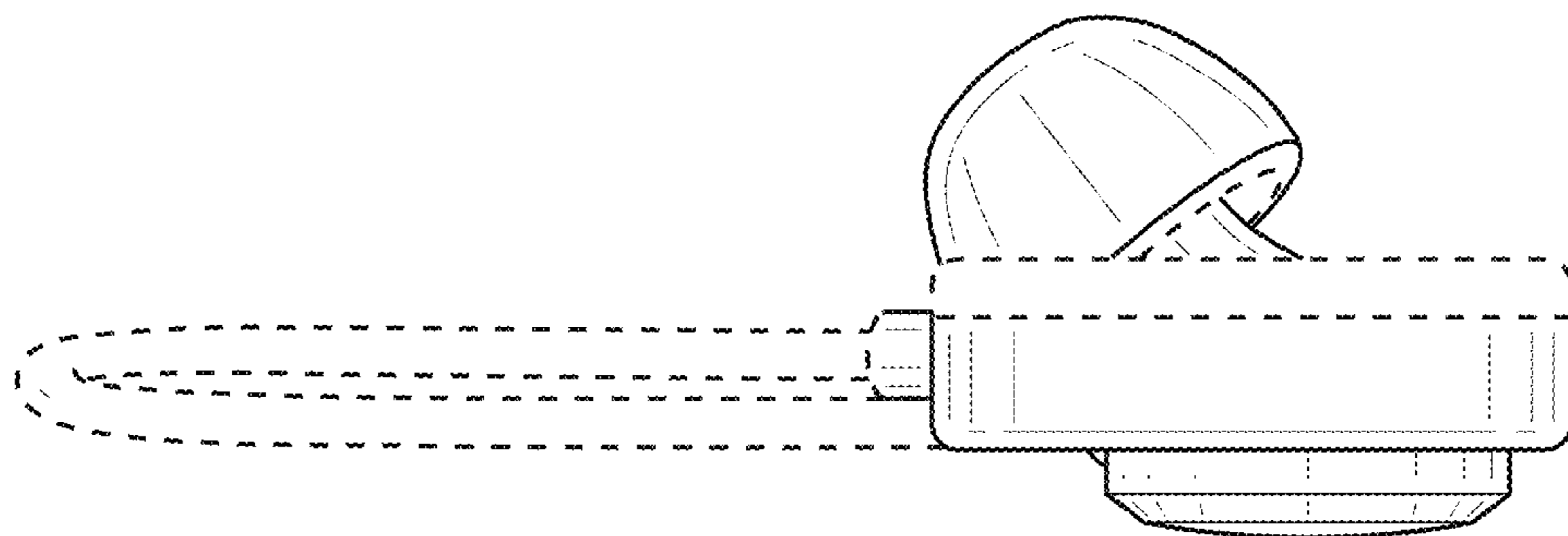
**FIG. 10**



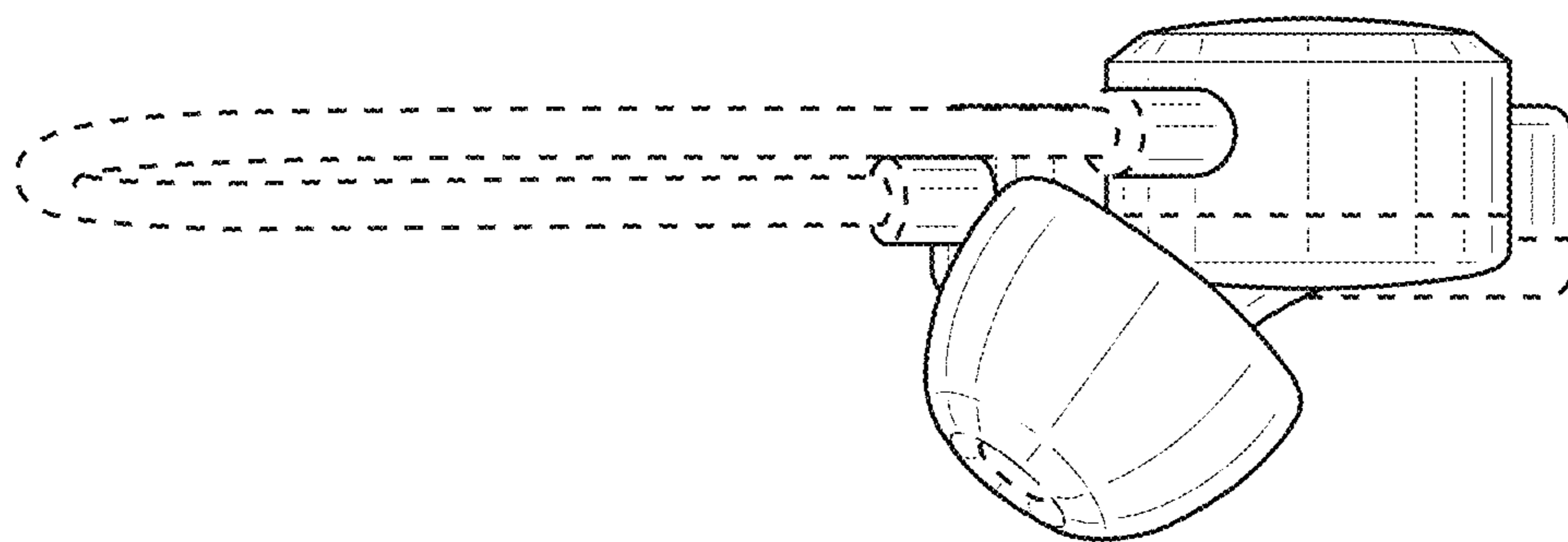
**FIG. 11**



**FIG. 12**



**FIG. 13**



**FIG. 14**