



US00D810723S

(12) **United States Design Patent** (10) **Patent No.:** **US D810,723 S**
Corten et al. (45) **Date of Patent:** **** Feb. 20, 2018**

(54) **LOUDSPEAKER**

(56) **References Cited**

(71) Applicant: **APART AUDIO, NAAMLOZE VENNOOTSCHAP**, Schoten (BE)
(72) Inventors: **Wim Corten**, Hulst (BE); **Tom Gheysens**, Schilde (BE); **Koen Claerbout**, Drongen (BE)
(73) Assignee: **APART AUDIO, NAAMLOZE VENNOOTSCHAP**, Schoten (BE)

U.S. PATENT DOCUMENTS

D401,583 S * 11/1998 Shin D14/214
D568,294 S * 5/2008 Sawhney D14/214
D756,331 S * 5/2016 Kamlet D14/214
D776,086 S * 1/2017 Baird D14/214
D793,992 S * 8/2017 Peace D14/214
D797,078 S * 9/2017 Nugent D14/214

(**) Term: **15 Years**

* cited by examiner

Primary Examiner — George D Kirschbaum

(21) Appl. No.: **35/501,806**

(74) *Attorney, Agent, or Firm* — Young & Thompson

(22) Filed: **Oct. 6, 2016**

(57) **CLAIM**

The ornamental design for loudspeaker, as shown and described.

(80) **Hague Agreement Data**

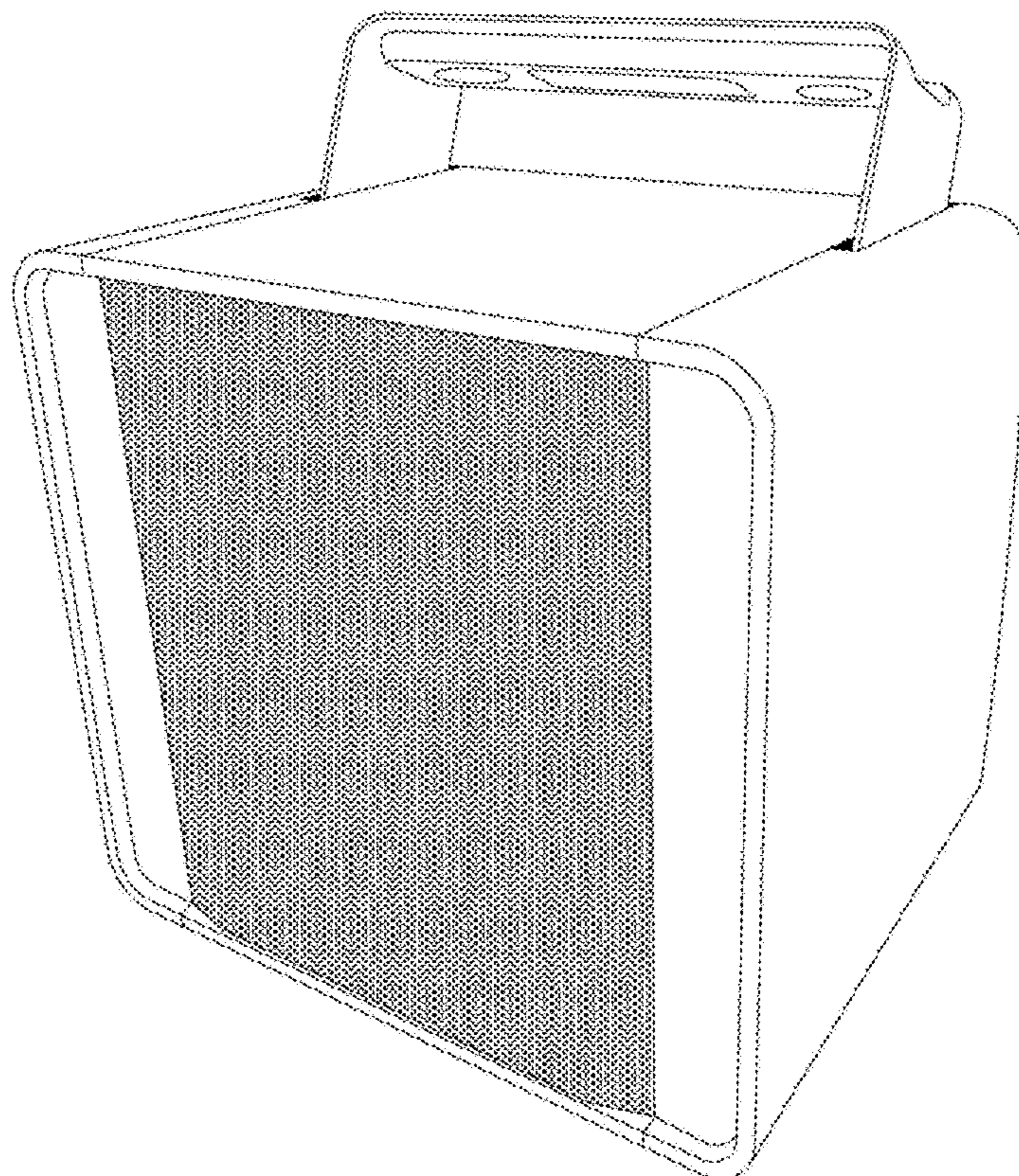
Int. Filing Date: **Oct. 6, 2016**
Int. Reg. No.: **DM/092984**
Int. Reg. Date: **Oct. 6, 2016**
Int. Reg. Pub. Date: **Oct. 28, 2016**

DESCRIPTION

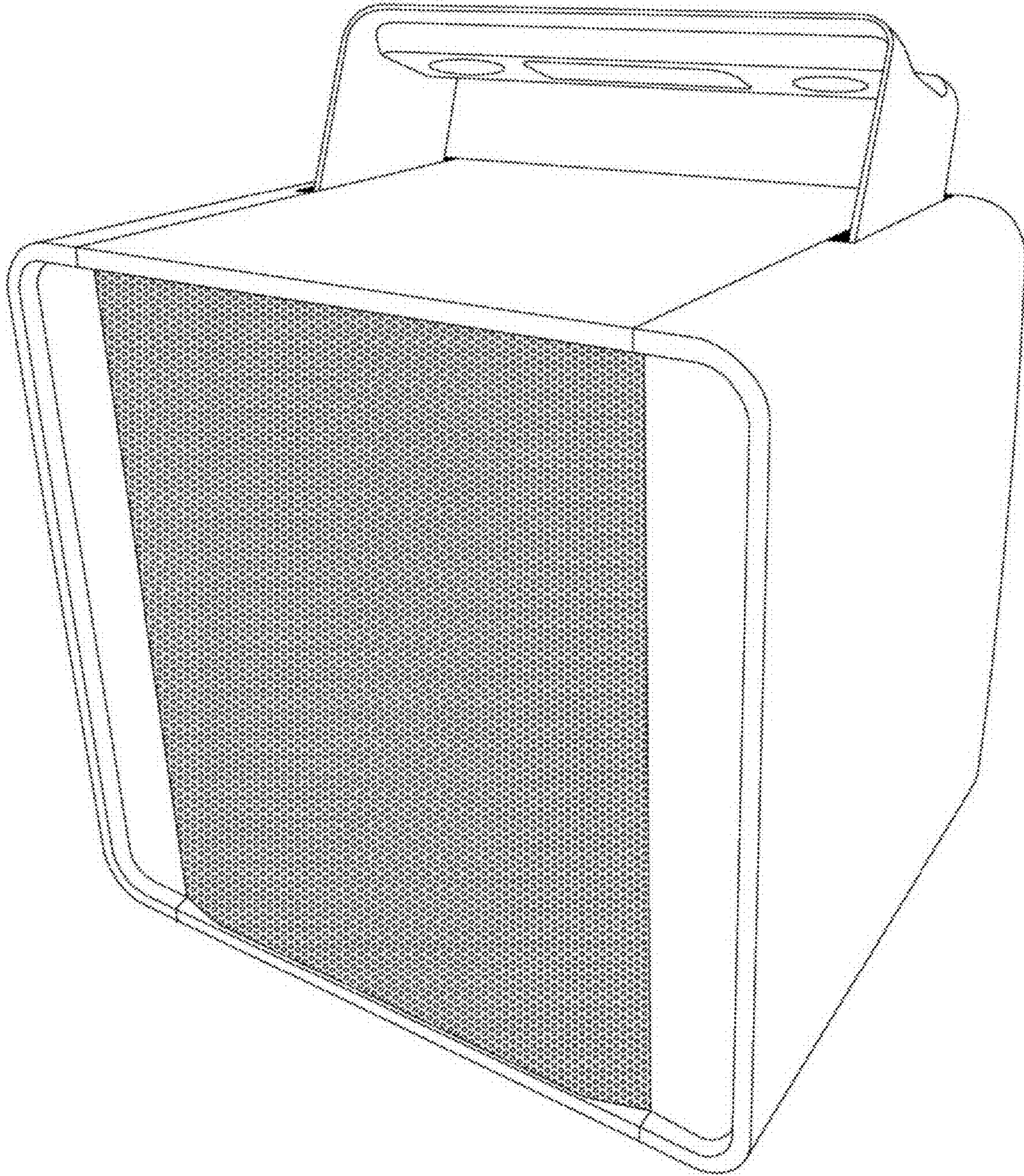
(51) **LOC (11) Cl.** **14-01**
(52) **U.S. Cl.**
USPC **D14/214**
(58) **Field of Classification Search**
USPC D14/209.1, 210, 214
CPC H04R 2400/00
See application file for complete search history.

- 1. Loudspeaker
- 1.1 is a front perspective view.
- 1.2 is a rear perspective view.
- 1.3 is front plan view.
- 1.4 is a rear plan view.
- 1.5 is a right side view.
- 1.6 is a top view.
- 1.7 is a bottom view.

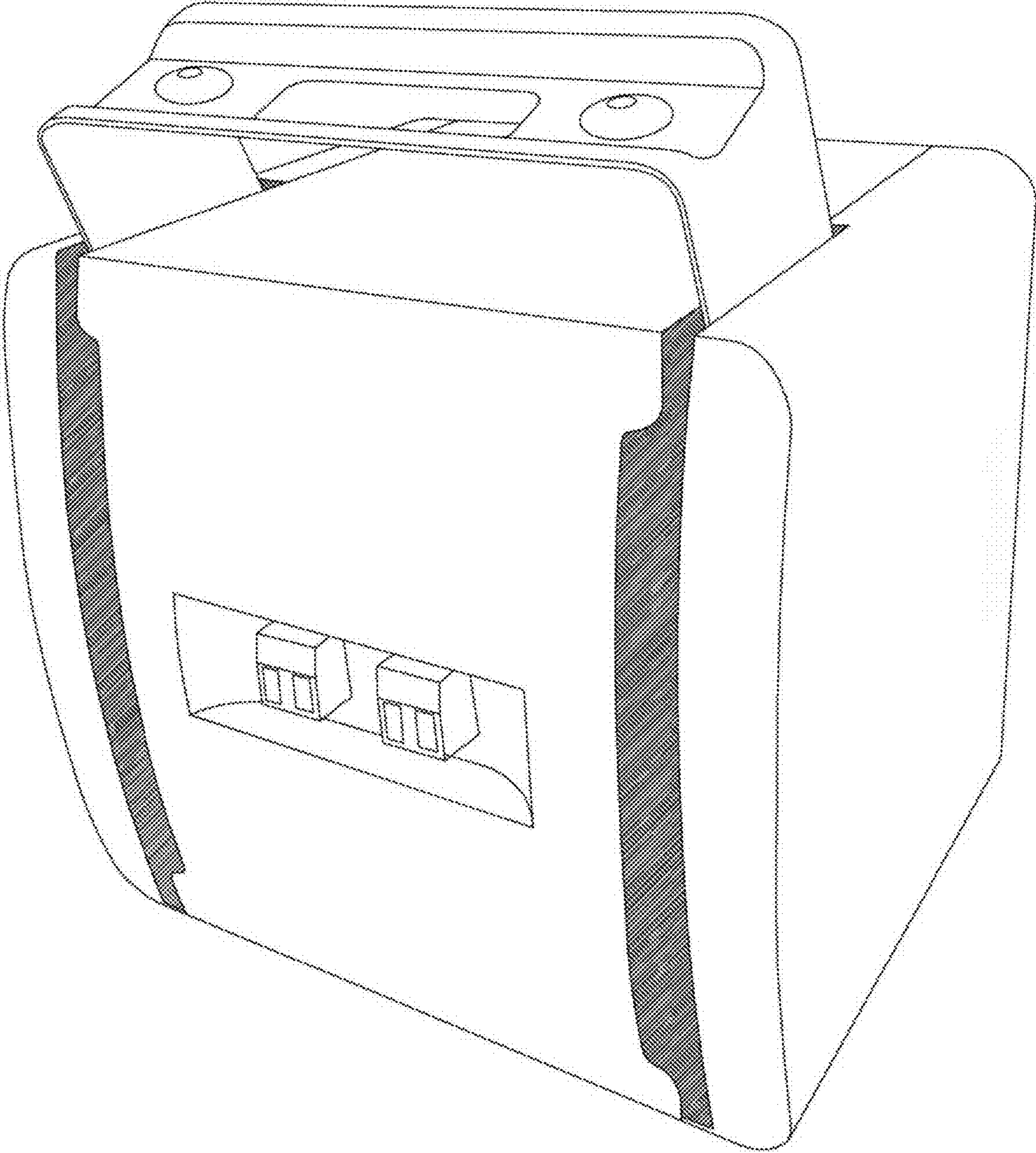
1 Claim, 7 Drawing Sheets



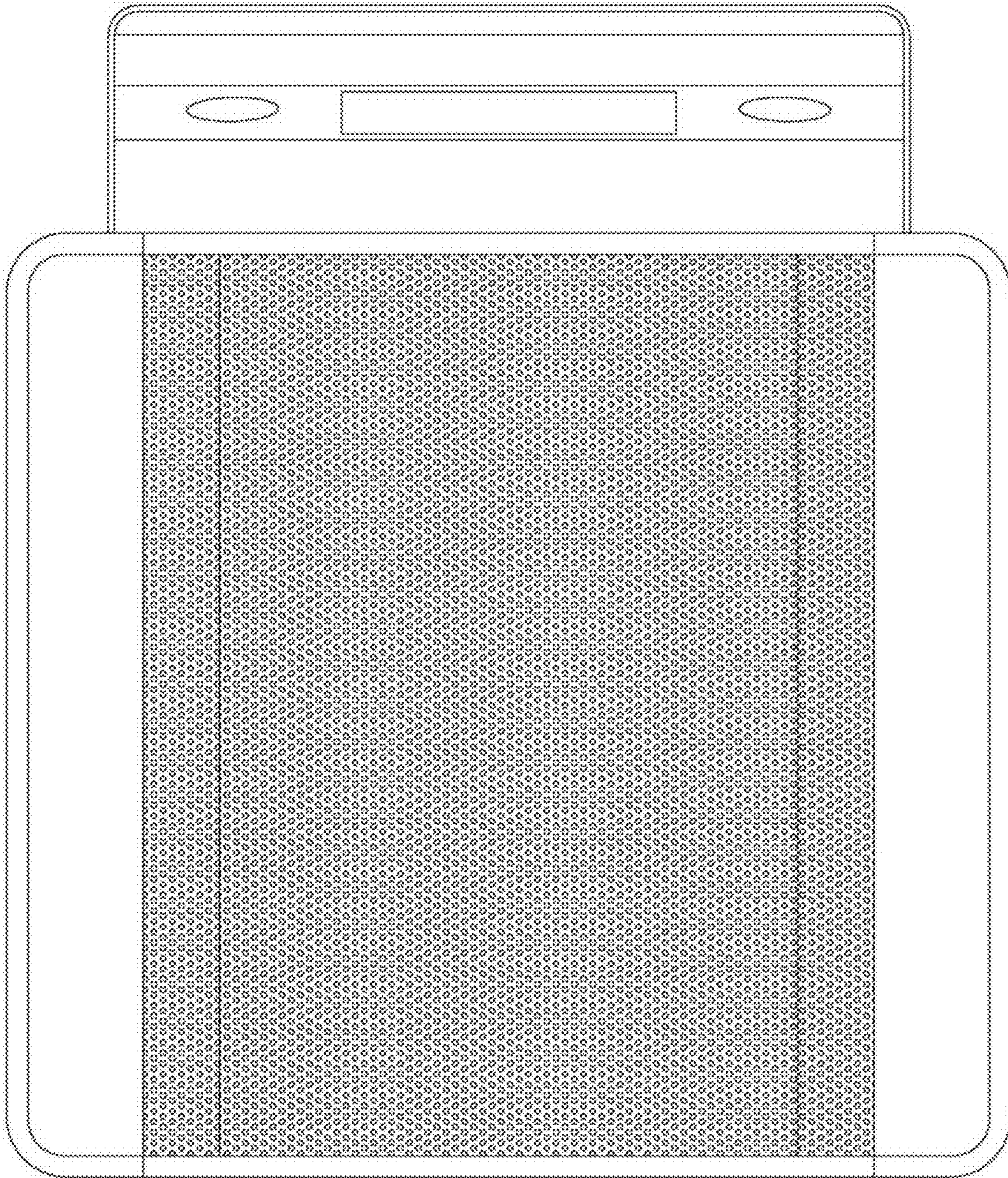
1.1



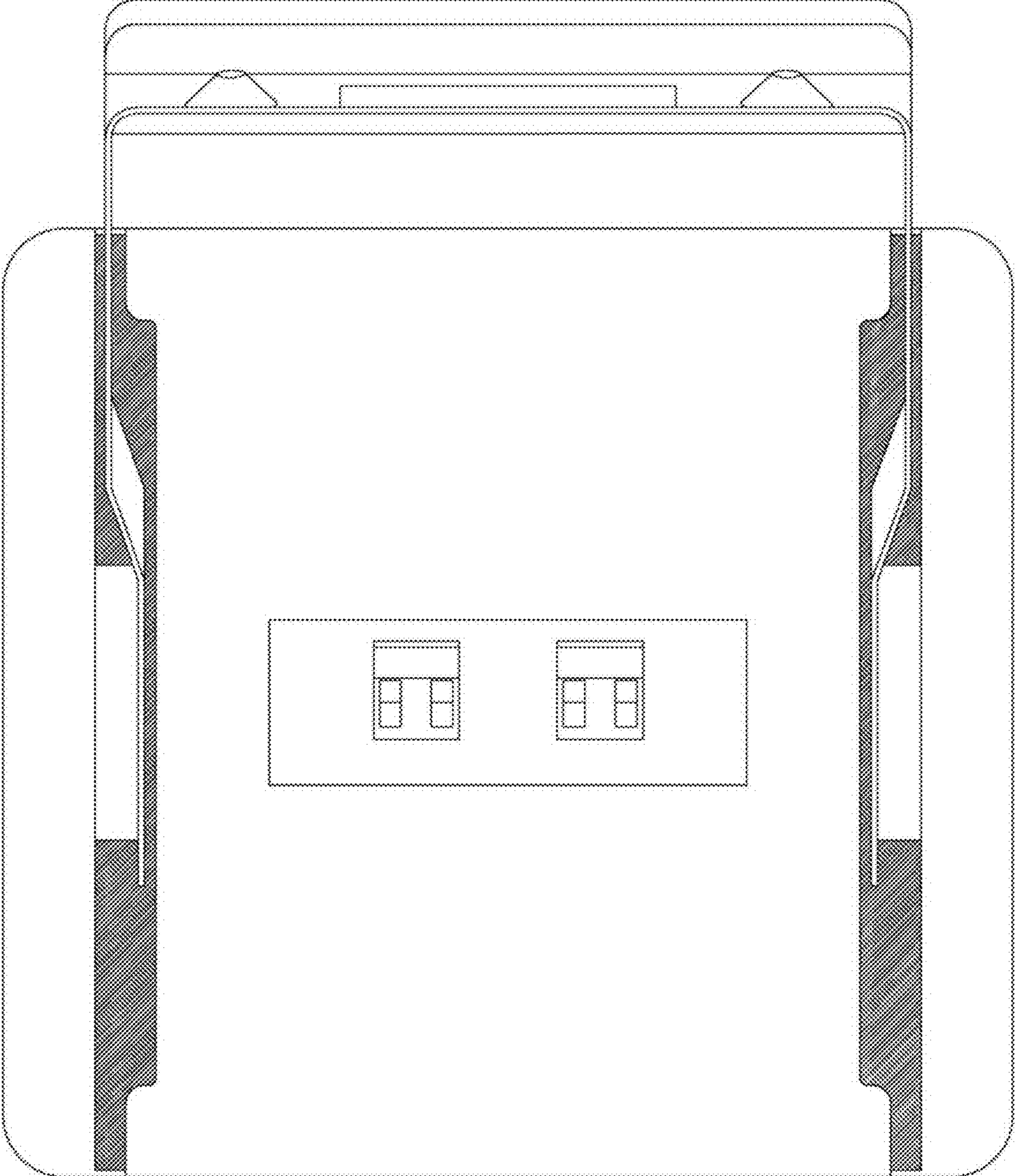
1.2



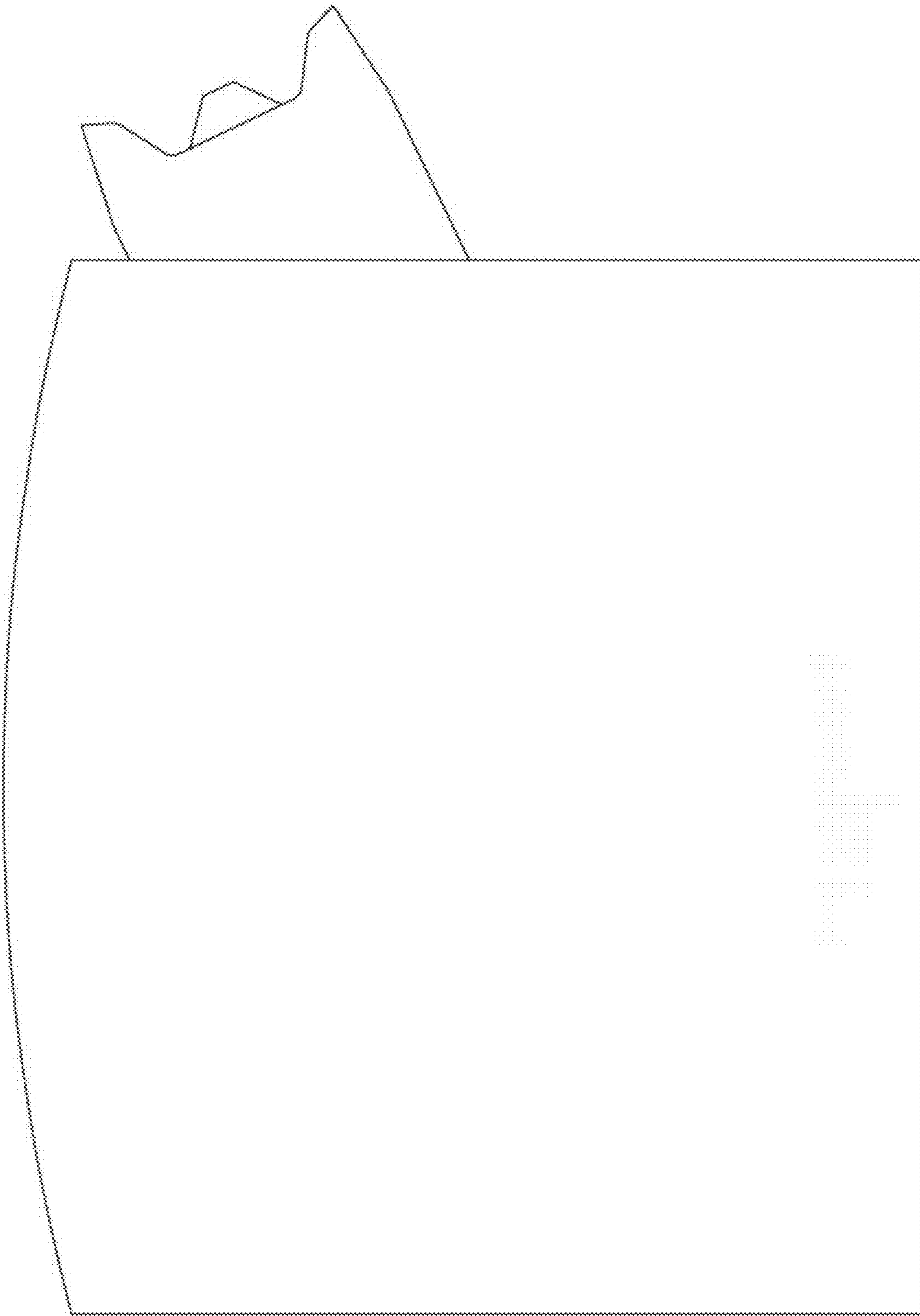
1.3



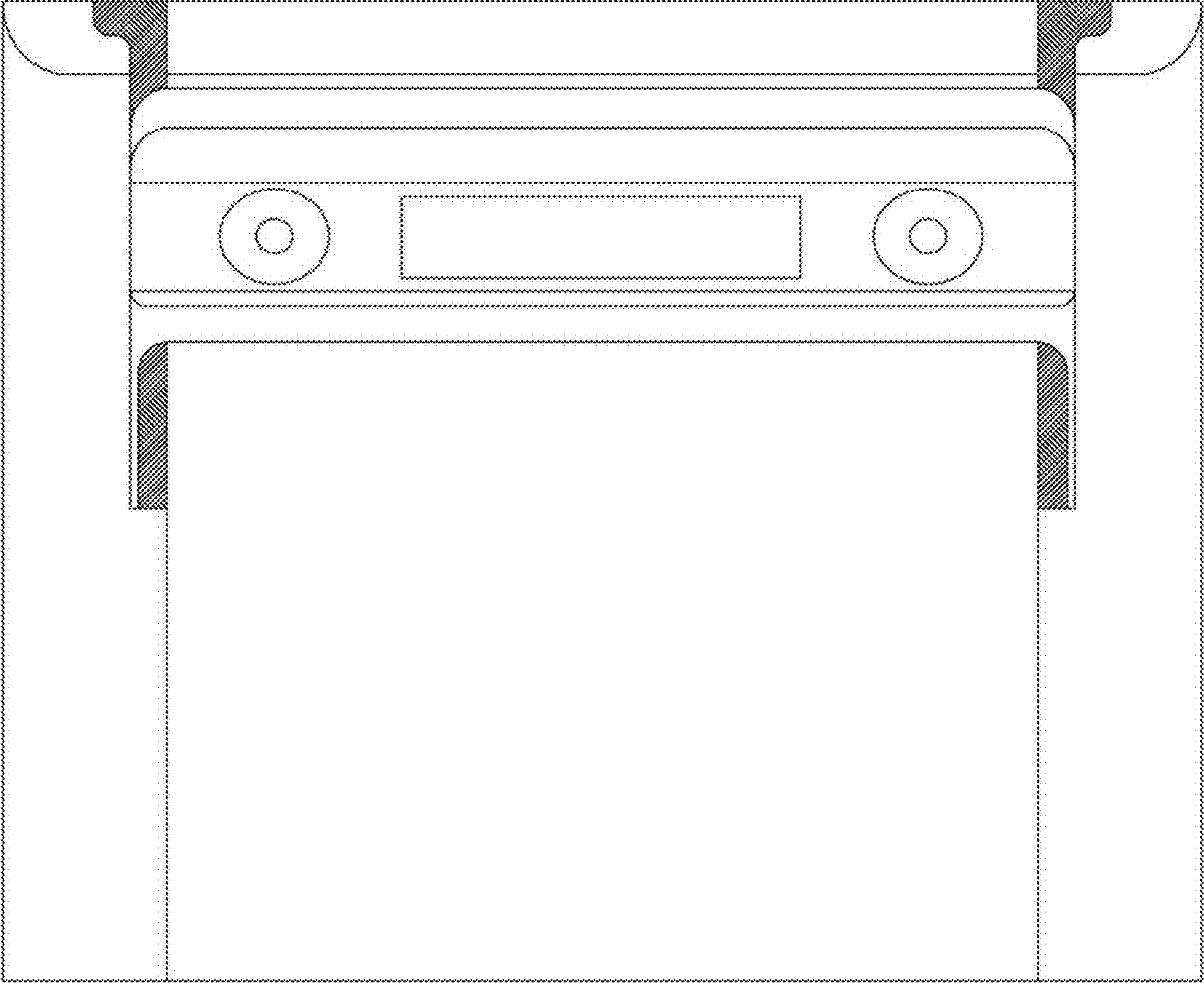
1.4



1.5



1.6



1.7

