



US00D810720S

(12) **United States Design Patent**
Lee

(10) **Patent No.:** **US D810,720 S**
(45) **Date of Patent:** **** Feb. 20, 2018**

(54) **EARPHONE**

(71) Applicant: **Cirque Audio Technology Co., Ltd.,**
Dongguan (CN)

(72) Inventor: **Mark Lee,** Dongguan (CN)

(73) Assignee: **CIRQUE AUDIO TECHNOLOGY**
CO., LTD., Dongguan (CN)

(**) Term: **15 Years**

(21) Appl. No.: **29/589,272**

(22) Filed: **Dec. 29, 2016**

(30) **Foreign Application Priority Data**

Dec. 14, 2016 (CN) 2016 3 0614777

(51) **LOC (11) Cl.** **14-01**

(52) **U.S. Cl.**
USPC **D14/205**

(58) **Field of Classification Search**
USPC D14/205, 223, 218; 181/129, 130, 135;
379/430, 431; 381/380, 381, 74, 370;
455/90.3, 575.1, 569.1
CPC H04R 1/10; H04R 1/1041; H04R 1/105;
H04R 1/1091; H04R 1/1016; H04R
5/033; H04R 5/0335; H04R 1/1033
See application file for complete search history.

(56) **References Cited**

U.S. PATENT DOCUMENTS

D311,007 S * 10/1990 Daido D14/205
D318,670 S * 7/1991 Taniguchi D14/205
5,410,608 A * 4/1995 Lucey H04R 1/083
381/360
6,122,369 A * 9/2000 Hwang H04M 1/6058
379/420.03
D473,217 S * 4/2003 Rivera D14/223

D539,782 S * 4/2007 Lee D14/188
D558,735 S * 1/2008 Carr D14/206
D564,495 S * 3/2008 Sasaki D14/205
D569,841 S * 5/2008 Chung D14/205
D572,703 S * 7/2008 Ledbetter D14/205
D578,508 S * 10/2008 Wang D14/206
D582,389 S * 12/2008 Bose D14/205
D582,889 S * 12/2008 Bose D14/205
D584,284 S * 1/2009 Carr D14/206
D599,778 S * 9/2009 Ando D14/205
D605,170 S * 12/2009 Keinanen D14/205
D605,628 S * 12/2009 Ando D14/205
D637,998 S * 5/2011 Brunner D14/205
7,949,127 B2 * 5/2011 Pedersen H04R 1/1066
379/430
D641,737 S * 7/2011 Krauss D14/205
D645,458 S * 9/2011 Silvestri H04R 1/105
D14/223
8,073,181 B2 * 12/2011 Bakalos H04R 3/04
381/103
D652,822 S * 1/2012 Lee D14/223
D659,117 S * 5/2012 Krauss D14/205
D678,251 S * 3/2013 Cantoni D14/223
D684,950 S * 6/2013 Schaal D14/205
D684,953 S * 6/2013 Schaal D14/205

(Continued)

Primary Examiner — Paula Allen Greene

(74) *Attorney, Agent, or Firm* — Ming Chow; Sinorica, LLC

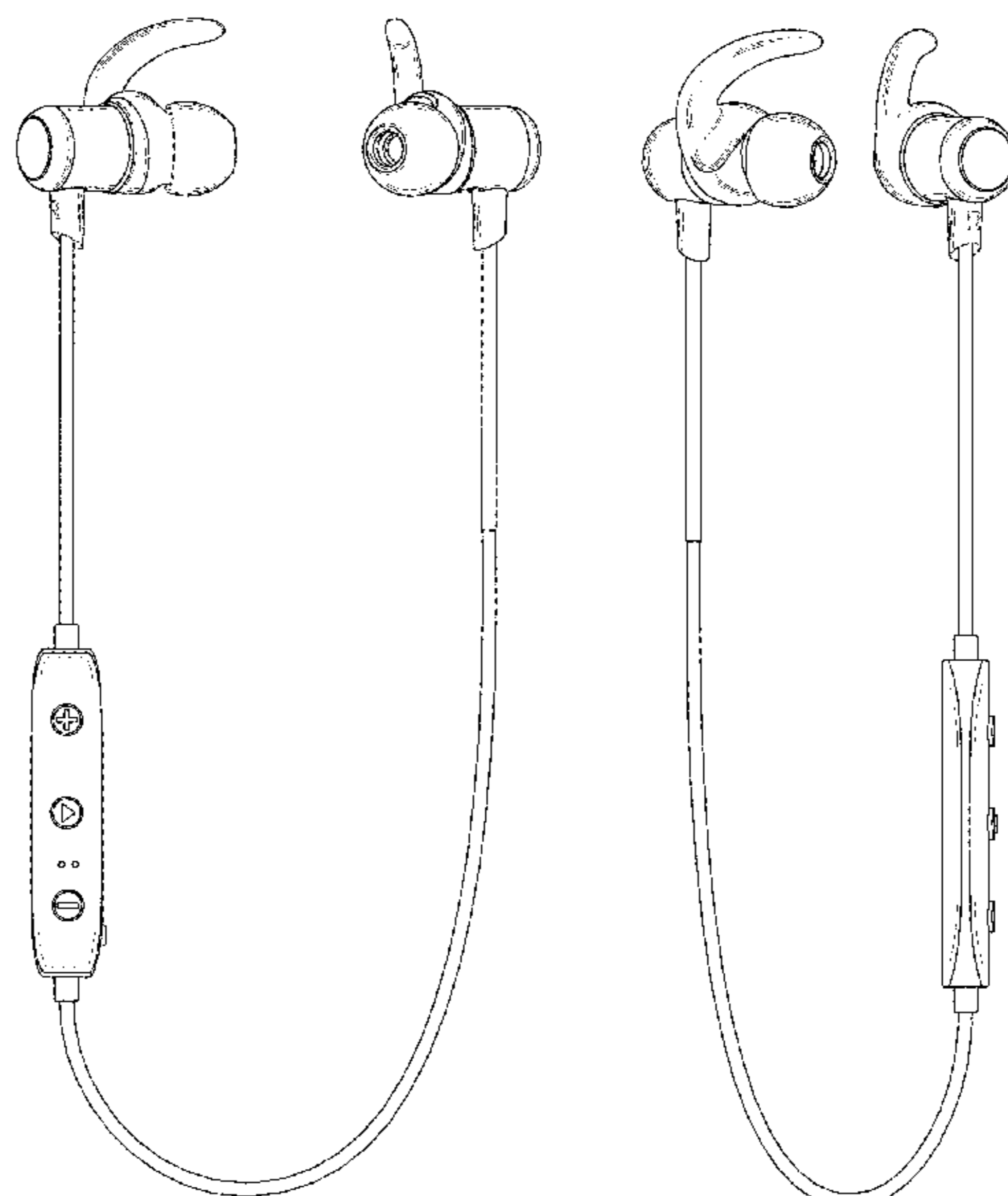
(57) **CLAIM**

The ornamental design for an earphone, as shown and described.

DESCRIPTION

FIG. 1 is a front elevation view thereof;
FIG. 2 is a rear elevation view thereof;
FIG. 3 is left side view thereof;
FIG. 4 is right side view thereof;
FIG. 5 is a top plan view thereof; and,
FIG. 6 is a bottom plan view thereof.

1 Claim, 6 Drawing Sheets



(56)

References Cited

U.S. PATENT DOCUMENTS

D685,750 S * 7/2013 Nakagawa D13/168
 D685,764 S * 7/2013 Coulter D14/205
 D686,191 S * 7/2013 Schaal D14/205
 8,477,062 B1 * 7/2013 Kanellis G01S 13/95
 340/979
 D692,409 S * 10/2013 Takeno D14/205
 D695,265 S * 12/2013 Schaal D14/205
 D695,266 S * 12/2013 Schaal D14/205
 D695,267 S * 12/2013 Schaal D14/205
 D698,750 S * 2/2014 Yoon D14/205
 8,655,006 B2 * 2/2014 Aase B29C 43/203
 381/370
 8,743,533 B2 * 6/2014 Stanley H01H 9/0228
 361/679.01
 D711,356 S * 8/2014 Yang D14/223
 D712,884 S * 9/2014 Krauss D14/205
 D715,253 S * 10/2014 Lee D14/205
 8,909,899 B2 * 12/2014 Greiner G06F 12/10
 711/156
 D722,040 S * 2/2015 Tan D14/205
 D722,302 S * 2/2015 Lee D14/205
 D725,625 S * 3/2015 Hsieh D14/205
 D726,145 S * 4/2015 Hsieh D14/205
 D727,279 S * 4/2015 Schaal D14/205
 D727,871 S * 4/2015 Orbach D14/205

D738,864 S * 9/2015 Lee D14/223
 D739,852 S * 9/2015 Jiang D14/240
 D741,299 S * 10/2015 Brunner D14/223
 D745,489 S * 12/2015 Bjelle D14/205
 D747,291 S * 1/2016 Lee D14/205
 D758,335 S * 6/2016 Lee D14/138 G
 D758,355 S * 6/2016 Lee D14/223
 D760,189 S * 6/2016 Loh Jun Kern D14/205
 D763,224 S * 8/2016 Silvestri H04R 1/1016
 D14/205
 D764,436 S * 8/2016 Dryden D14/205
 D780,155 S * 2/2017 Levine D14/205
 D780,157 S * 2/2017 Uggla D14/205
 D782,442 S * 3/2017 Chen D14/205
 D785,594 S * 5/2017 Zaihui D14/205
 D786,216 S * 5/2017 Silva D14/205
 2009/0296975 A1 * 12/2009 Uchida H04R 1/1091
 381/370
 2014/0133671 A1 * 5/2014 Son H04R 5/0335
 381/74
 2014/0138150 A1 * 5/2014 Huang H04R 1/1033
 174/71 R
 2014/0233746 A1 * 8/2014 Tanaka H04R 1/1016
 381/66
 2016/0073186 A1 * 3/2016 Searl H04R 1/1016
 381/380
 2016/0261946 A1 * 9/2016 Chen H04R 1/1016

* cited by examiner

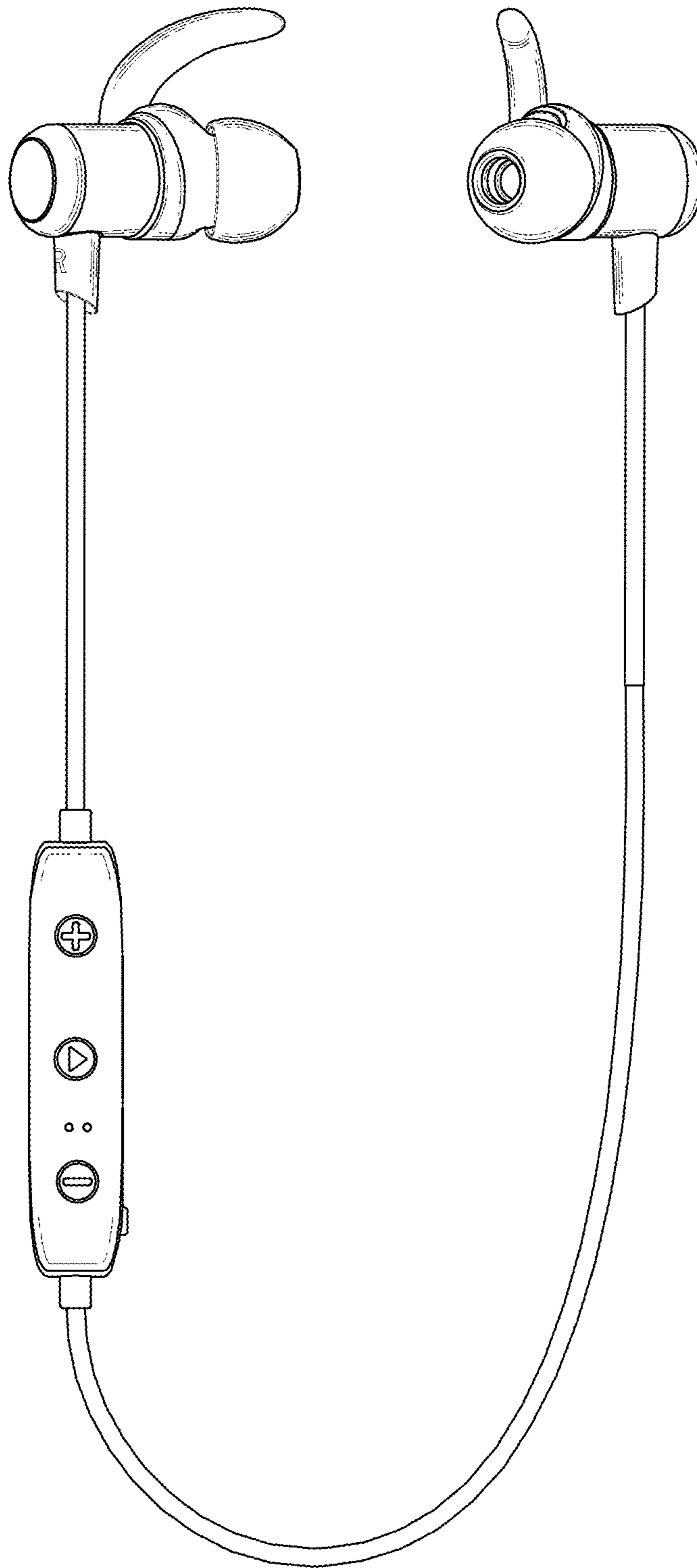


FIG.1

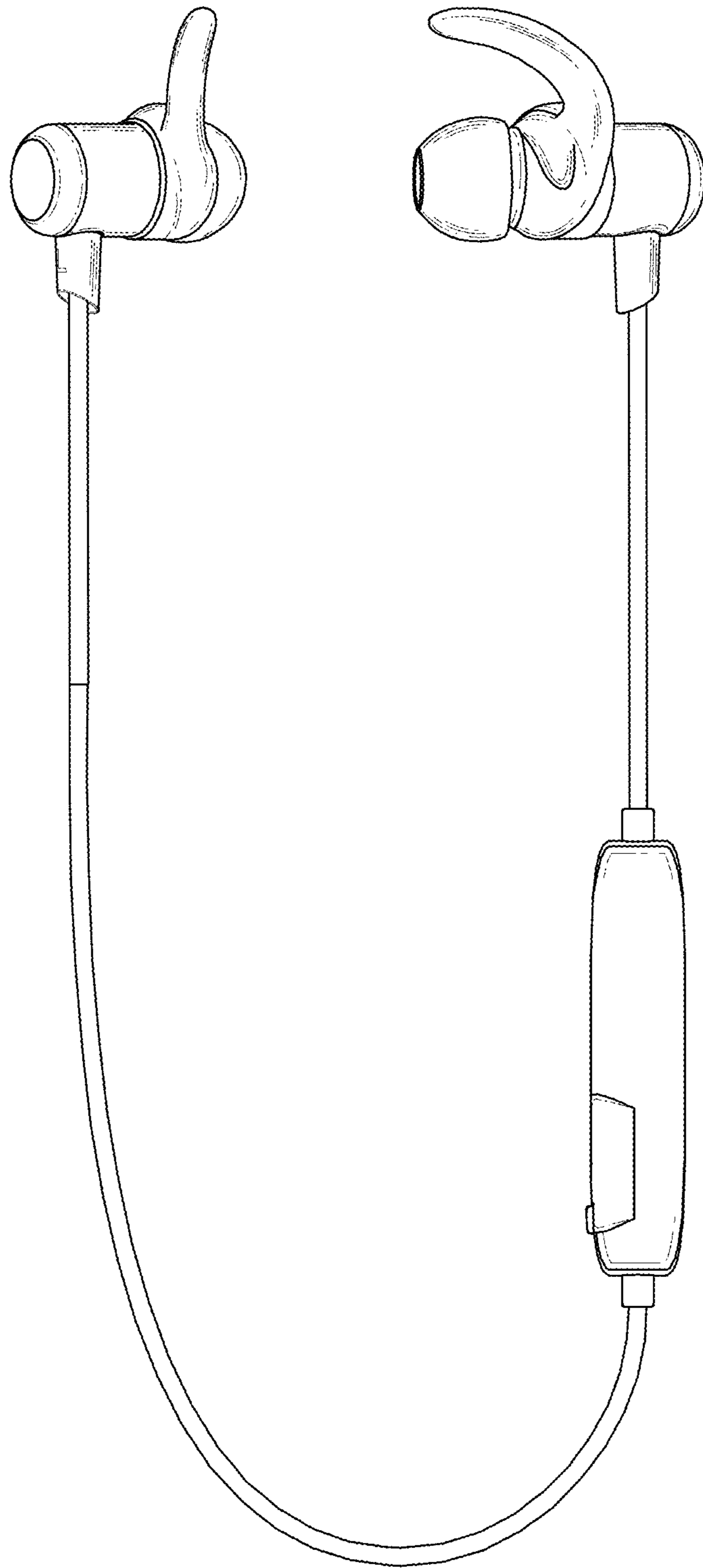


FIG.2

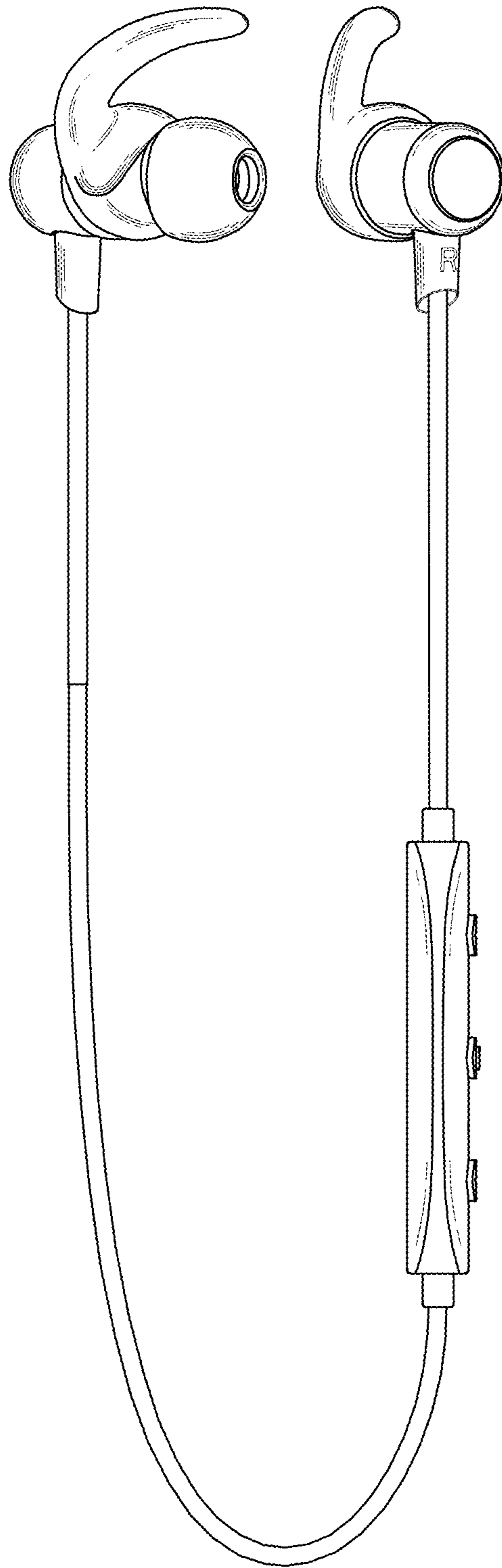


FIG.3

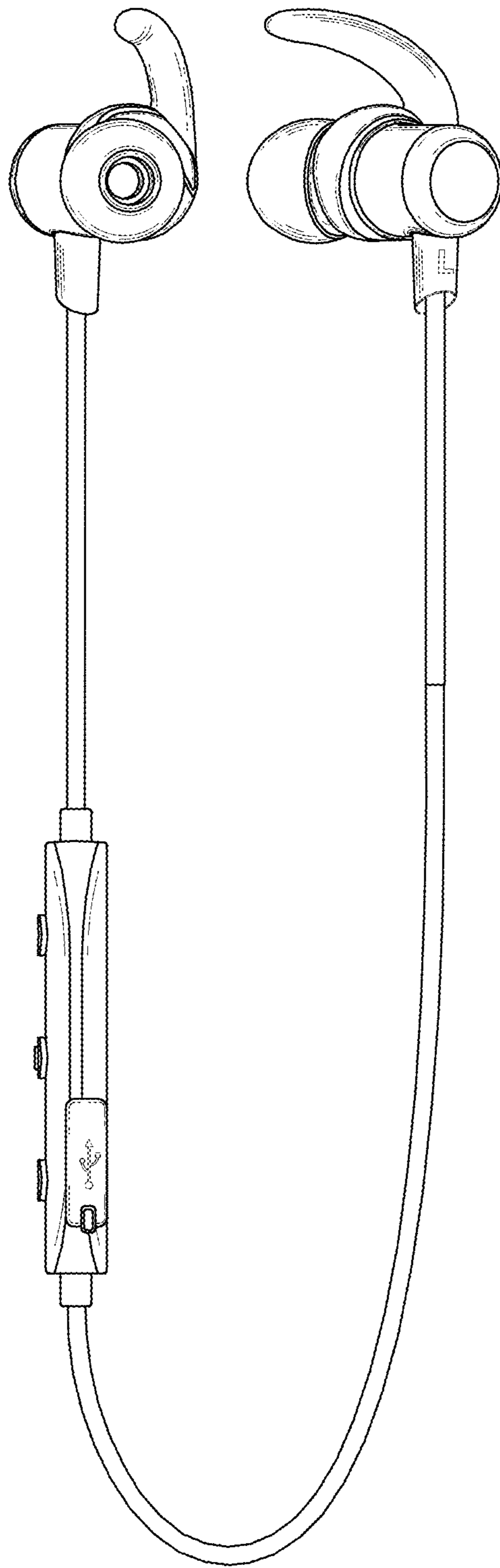


FIG.4

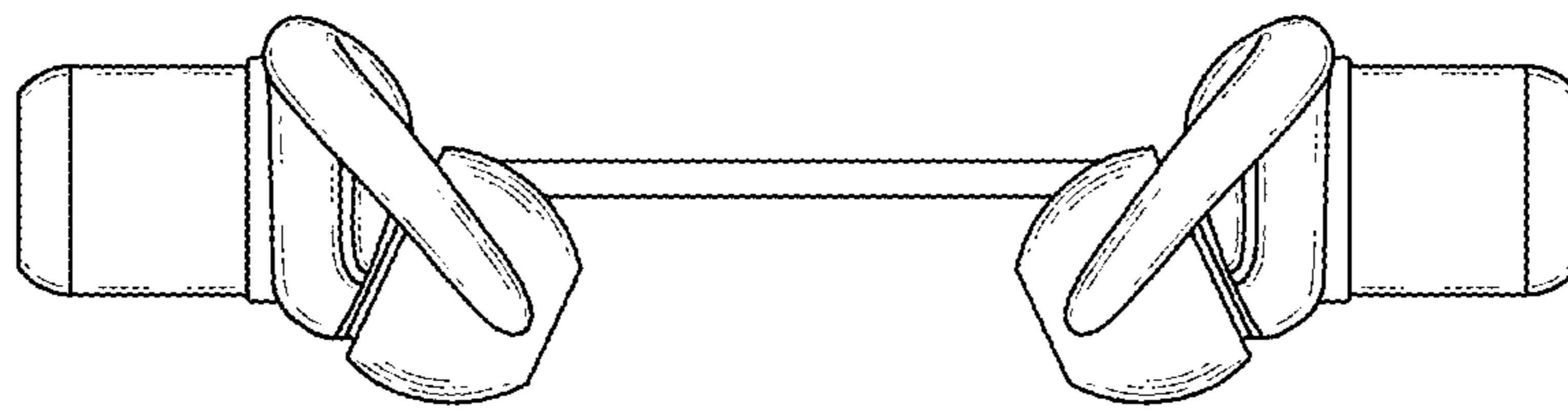


FIG.5

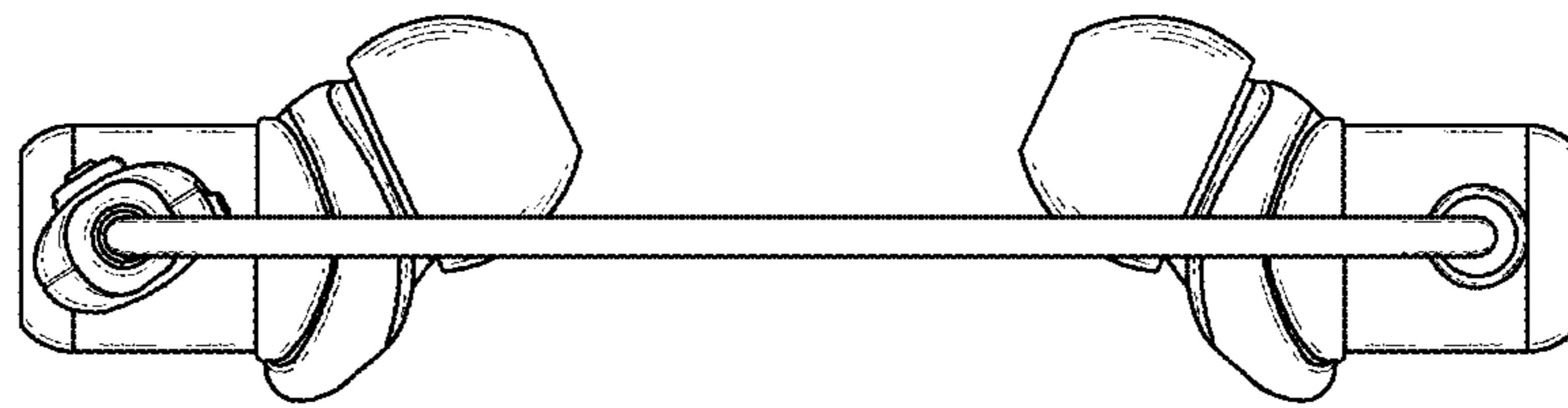


FIG.6