



US00D810718S

(12) **United States Design Patent** (10) **Patent No.:** **US D810,718 S**
Galler (45) **Date of Patent:** **** Feb. 20, 2018**

(54) **PAIR OF HEADPHONES**

(71) Applicant: **Sennheiser electronic GmbH & Co. KG, Wedemark (DE)**

(72) Inventor: **Niklas Galler, Berlin (DE)**

(73) Assignee: **Sennheiser electronic GmbH & Co. KG, Wedemark (DE)**

(**) Term: **15 Years**

(21) Appl. No.: **29/575,451**

(22) Filed: **Aug. 25, 2016**

Related U.S. Application Data

(62) Division of application No. 29/529,928, filed on Jun. 11, 2015.

(30) **Foreign Application Priority Data**

Dec. 12, 2014 (EM) 002595850-0001
Dec. 12, 2014 (EM) 002595850-0002
(Continued)

(51) **LOC (11) Cl.** **14-01**

(52) **U.S. Cl.**
USPC **D14/205**

(58) **Field of Classification Search**
USPC D14/205, 188, 192; D29/112; 2/209;
181/129, 130, 135; 379/430, 431;
(Continued)

(56) **References Cited**

U.S. PATENT DOCUMENTS

1,483,315 A 2/1924 Saal
1,560,718 A 11/1925 Nowosielski
(Continued)

Primary Examiner — Paula Allen Greene

(74) *Attorney, Agent, or Firm* — Haug Partners LLP

(57) **CLAIM**

The ornamental design for a pair of headphones, as shown and described.

DESCRIPTION

FIG. 1.1 is an isometric view of the pair of headphones in accordance with a first embodiment of the invention.

FIG. 1.2 is a left side view of the a pair of headphones in accordance with a first embodiment of the invention.

FIG. 1.3 is a right side view of the a pair of headphones in accordance with a first embodiment of the invention.

FIG. 1.4 is a top side view of the a pair of headphones in accordance with a first embodiment of the invention.

FIG. 1.5 is a bottom side view of the a pair of headphones in accordance with a first embodiment of the invention.

FIG. 1.6 is a front view of the a pair of headphones in accordance with a first embodiment of the invention.

FIG. 1.7 is a rear view of the a pair of headphones in accordance with a first embodiment of the invention.

FIG. 2.1 is an isometric view of the a pair of headphones in accordance with a second embodiment of the invention.

FIG. 2.2 is a left side view of the a pair of headphones in accordance with a second embodiment of the invention.

FIG. 2.3 is a right side view of the a pair of headphones in accordance with a second embodiment of the invention.

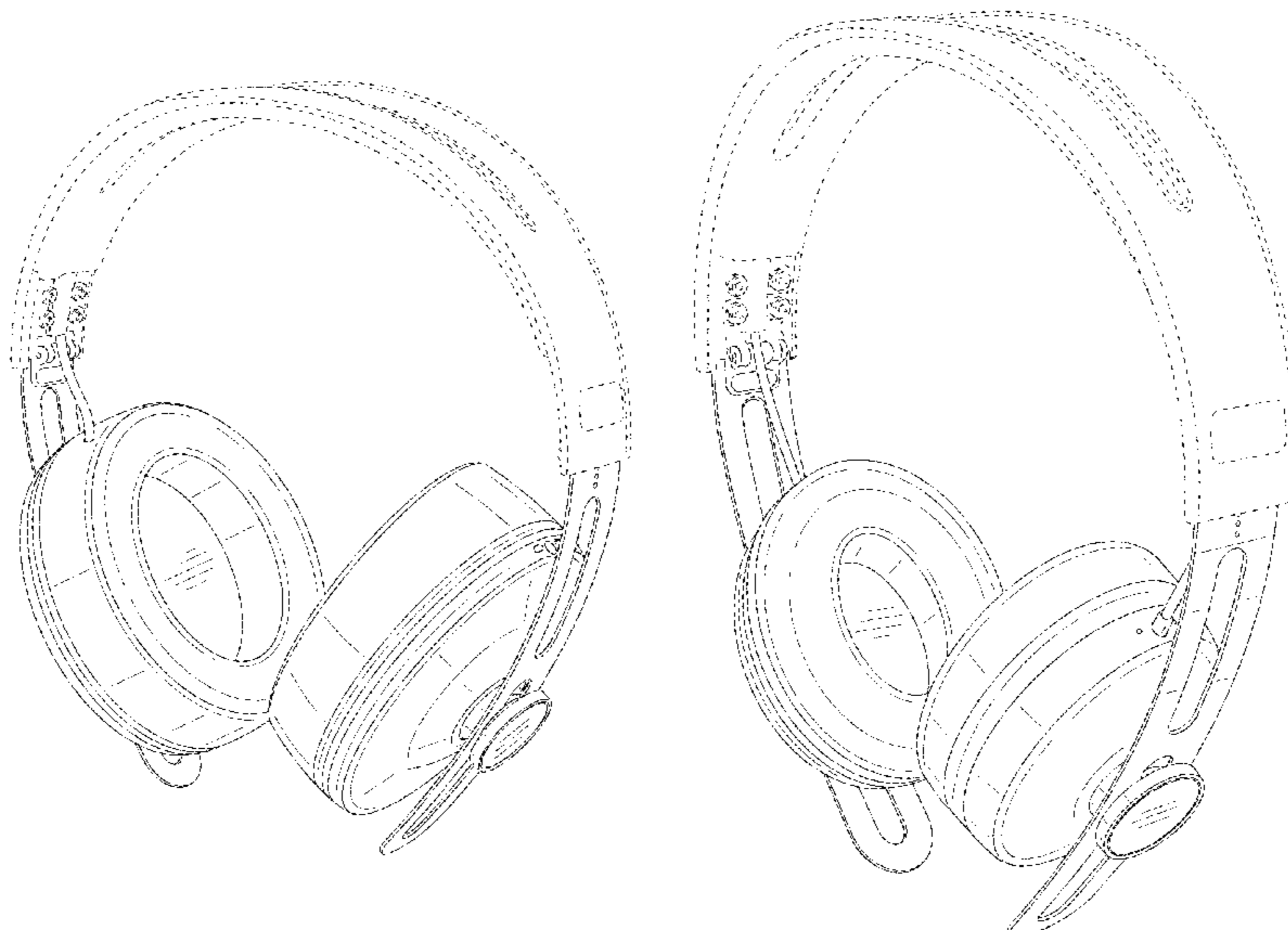
FIG. 2.4 is a top side view of the a pair of headphones in accordance with a second embodiment of the invention.

FIG. 2.5 is a bottom side view of the a pair of headphones in accordance with a second embodiment of the invention; and,

FIG. 2.6 is a front view of the a pair of headphones in accordance with a second embodiment of the invention.

The broken lines shown in the figures are for the purpose of illustrating structure that forms no part of the claimed design.

1 Claim, 13 Drawing Sheets



(30) Foreign Application Priority Data

Dec. 12, 2014 (EM) 002595850-0003
 Dec. 12, 2014 (EM) 002595850-0004
 Dec. 12, 2014 (EM) 002595850-0006
 Dec. 12, 2014 (EM) 002595850-0007
 Dec. 12, 2014 (EM) 002595850-0008
 Dec. 12, 2014 (EM) 002595850-0009

(58) Field of Classification Search

USPC 381/381, 380, 374, 377, 309; 455/90.3,
 455/575.1
 CPC H04R 1/1016; H04R 1/1066; H04R 1/105;
 H04R 1/1033; H04R 25/00; H04R
 1/1058; H04R 1/10; H04R 1/1091
 See application file for complete search history.

(56) References Cited

U.S. PATENT DOCUMENTS

2,149,341 A * 3/1939 Harrison H04R 1/1066
 248/274.1
 D203,677 S * 2/1966 Spillman D14/205
 D229,833 S * 1/1974 Woodbury D14/205
 4,133,053 A * 1/1979 Lundin H04R 1/1058
 2/209
 4,572,323 A * 2/1986 Randall A61F 11/14
 181/129

D313,092 S * 12/1990 Nilsson D14/205
 D449,034 S * 10/2001 Weikel D14/205
 6,611,963 B2 9/2003 Woo et al.
 6,678,897 B2 * 1/2004 Lindgren A61F 11/14
 181/129
 D560,654 S * 1/2008 Feng D14/205
 D570,825 S * 6/2008 Schultz D14/205
 D620,474 S * 7/2010 Komiyama D14/205
 7,766,120 B2 * 8/2010 Hansson A61F 11/14
 181/129
 D650,356 S * 12/2011 Alden D14/205
 D657,345 S * 4/2012 Brunner H04R 5/033
 D14/205
 D663,717 S * 7/2012 Hutchieson D14/206
 D668,633 S * 10/2012 Enquist D14/205
 D673,929 S * 1/2013 Combs D14/205
 D677,241 S * 3/2013 Kelly D14/205
 D693,793 S * 11/2013 Kelly D14/205
 D695,263 S * 12/2013 Mogili D14/205
 D696,226 S * 12/2013 Brunner H04R 5/033
 D14/205
 D700,590 S * 3/2014 Heath D14/205
 D704,163 S * 5/2014 Brunner H04R 5/033
 D14/205
 D724,560 S * 3/2015 Galler D14/205
 D736,176 S * 8/2015 Rapitsch D14/205
 D740,254 S * 10/2015 Huang D14/205
 2014/0177884 A1 * 6/2014 Minarik H04R 1/1066
 381/309

* cited by examiner

Fig. 1.1



Fig. 1.2

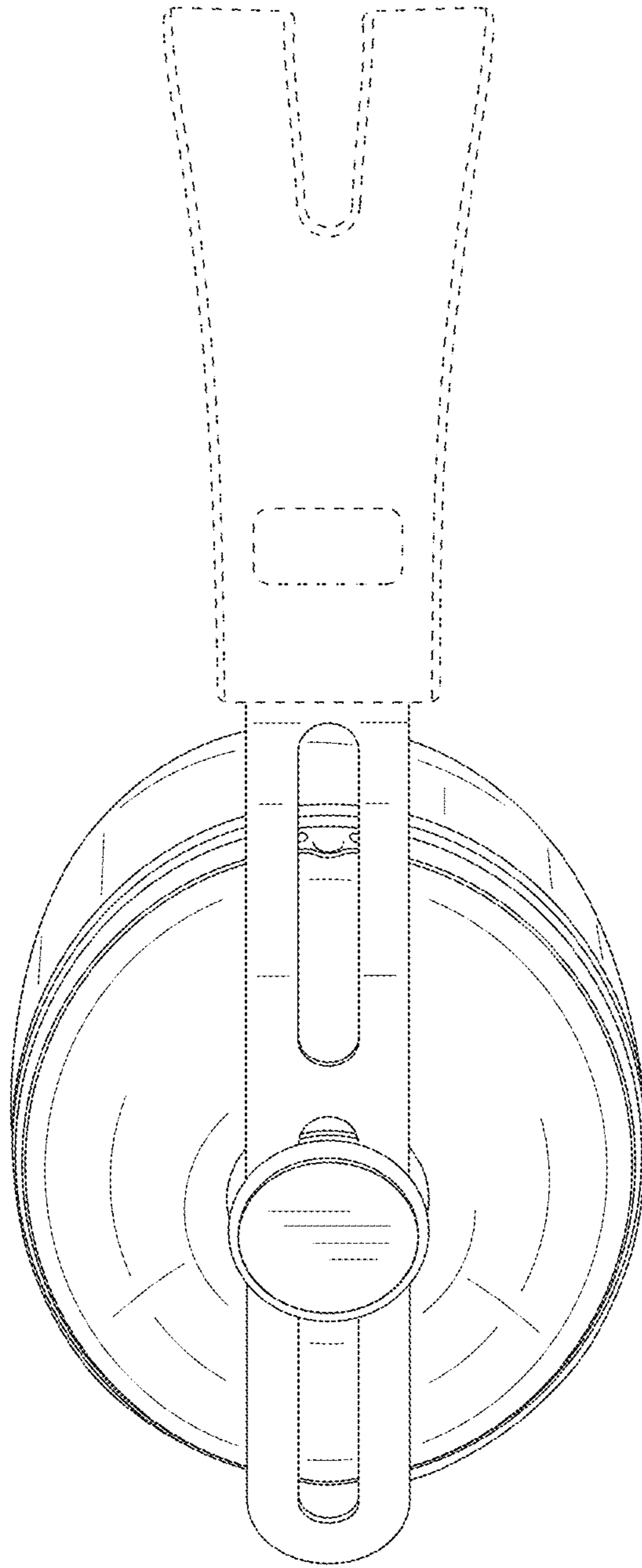


Fig. 1.3

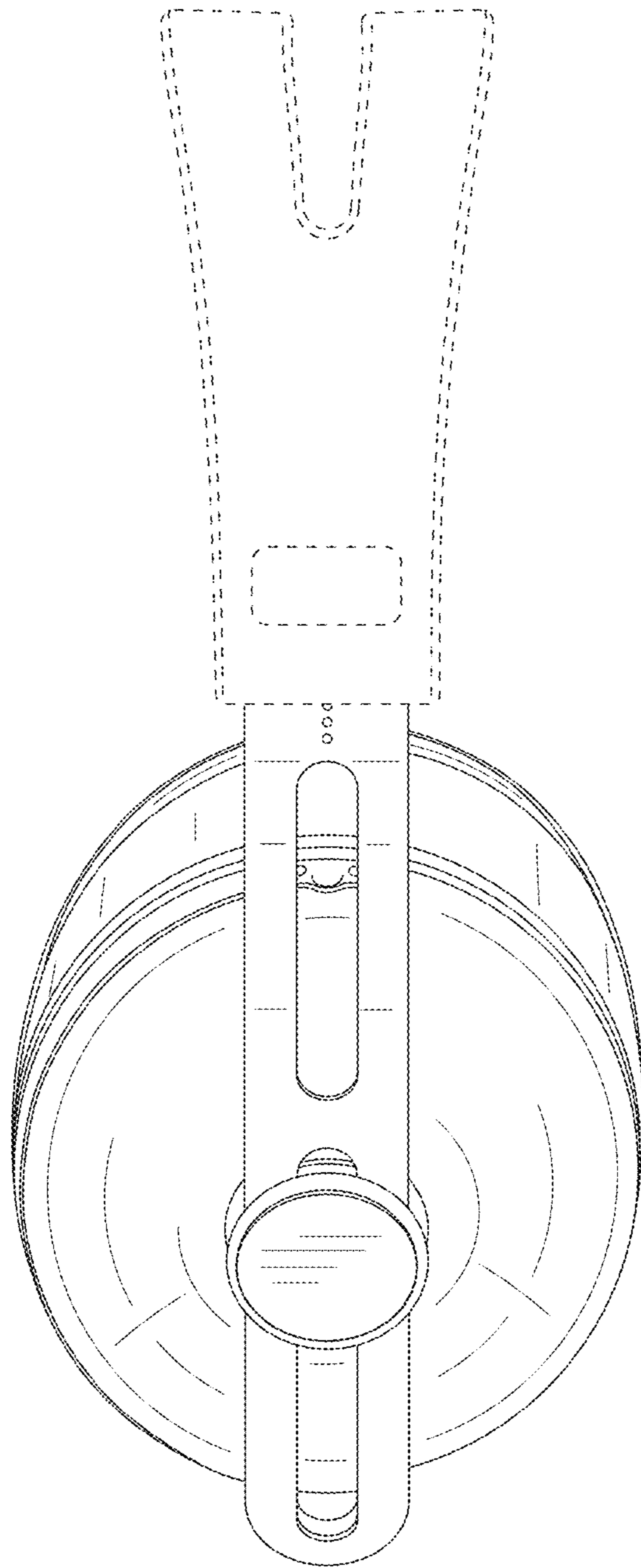


Fig. 1.4

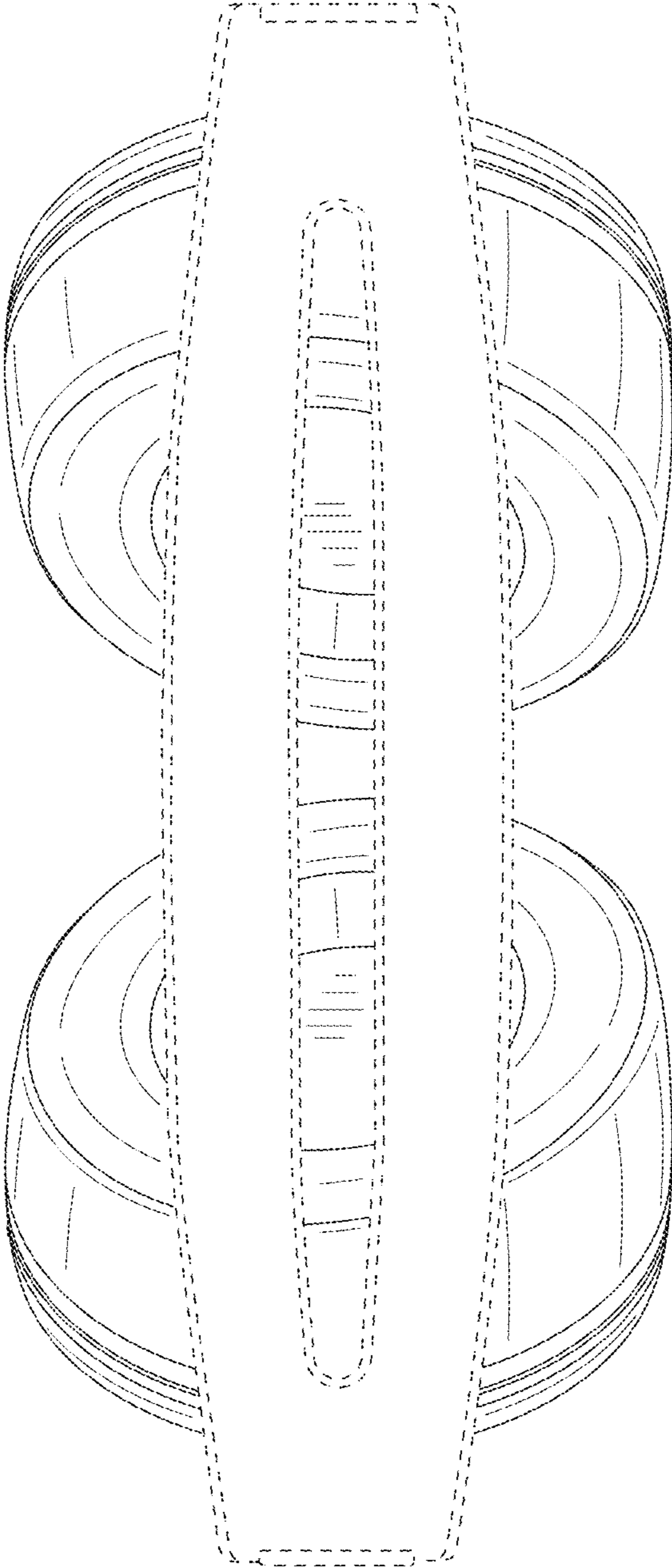


Fig. 1.5

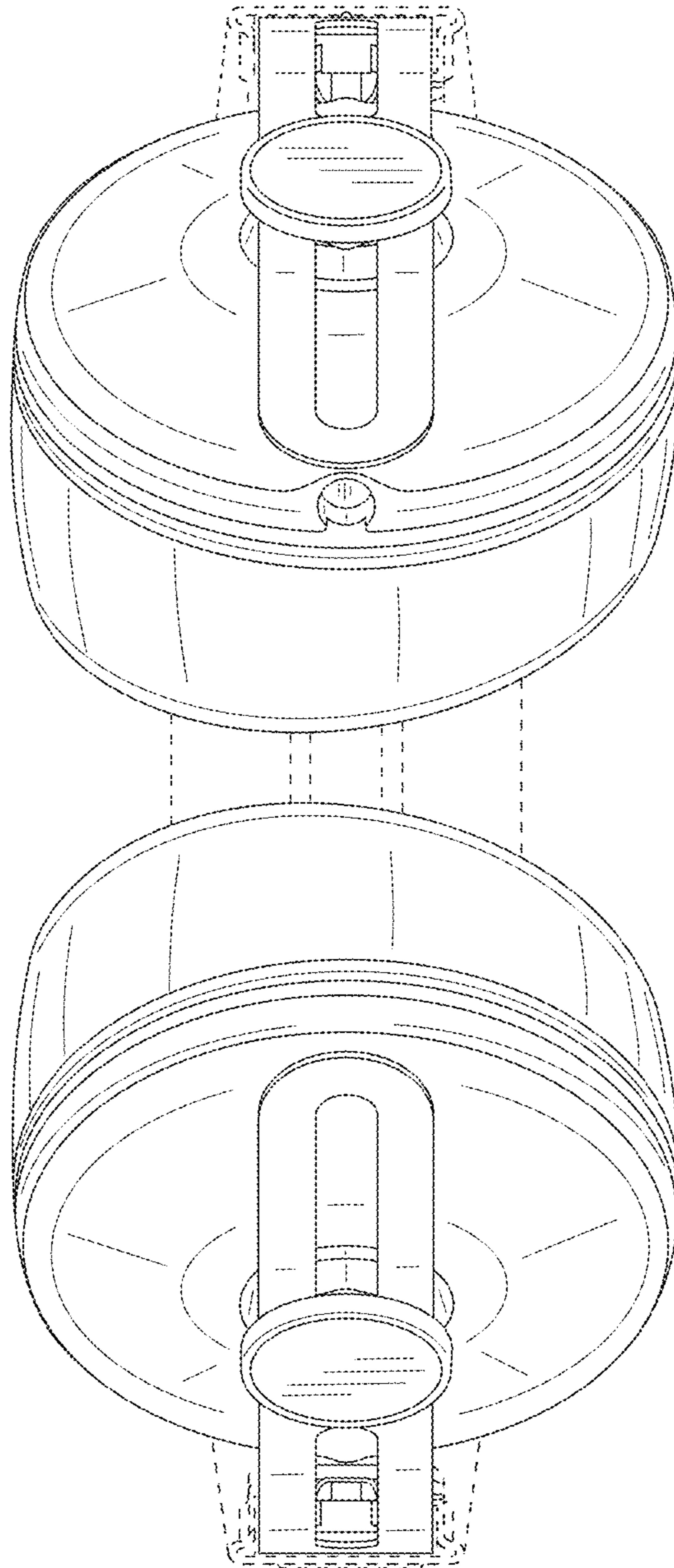


Fig. 1.6



Fig. 1.7

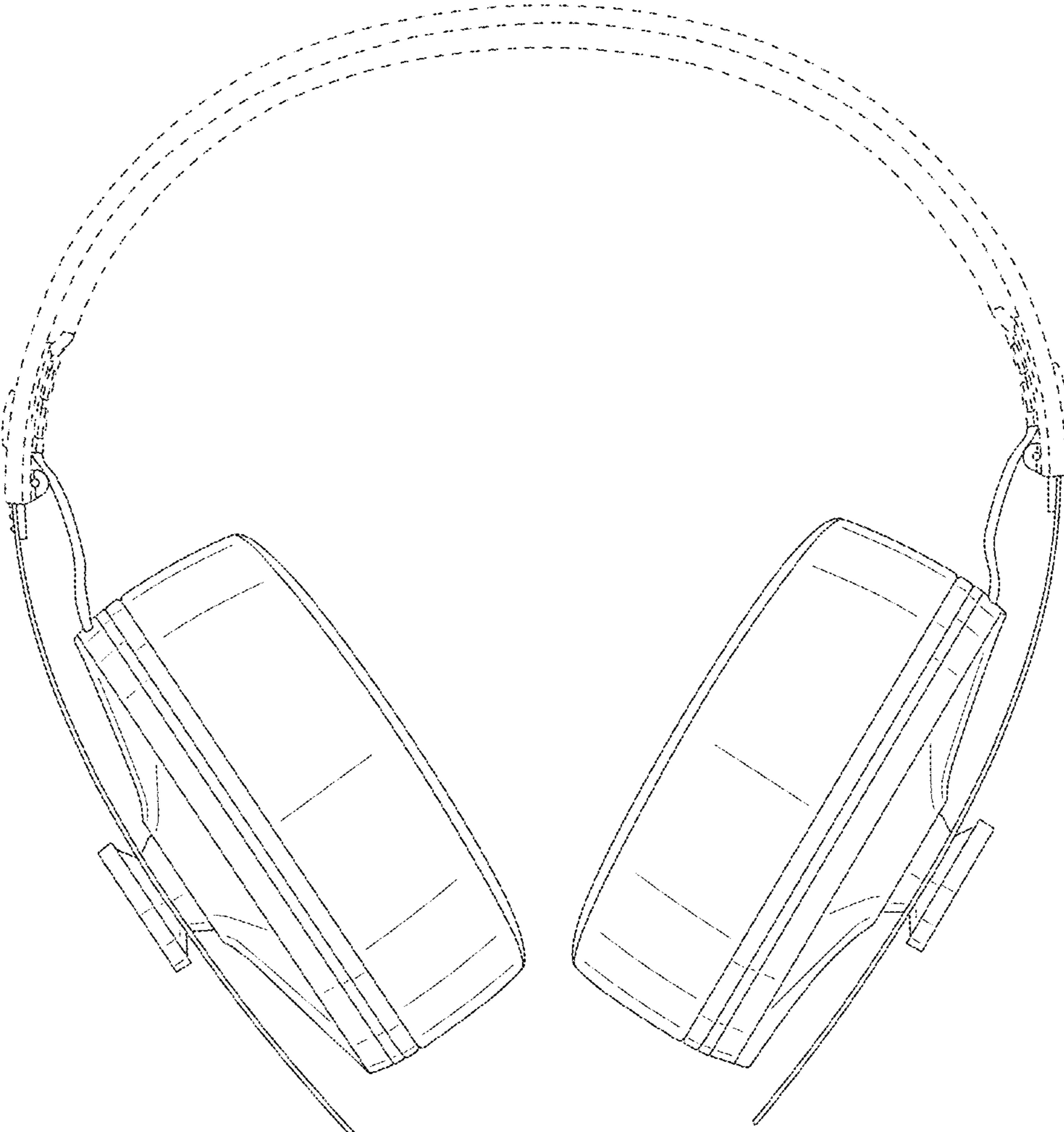


Fig. 2.1

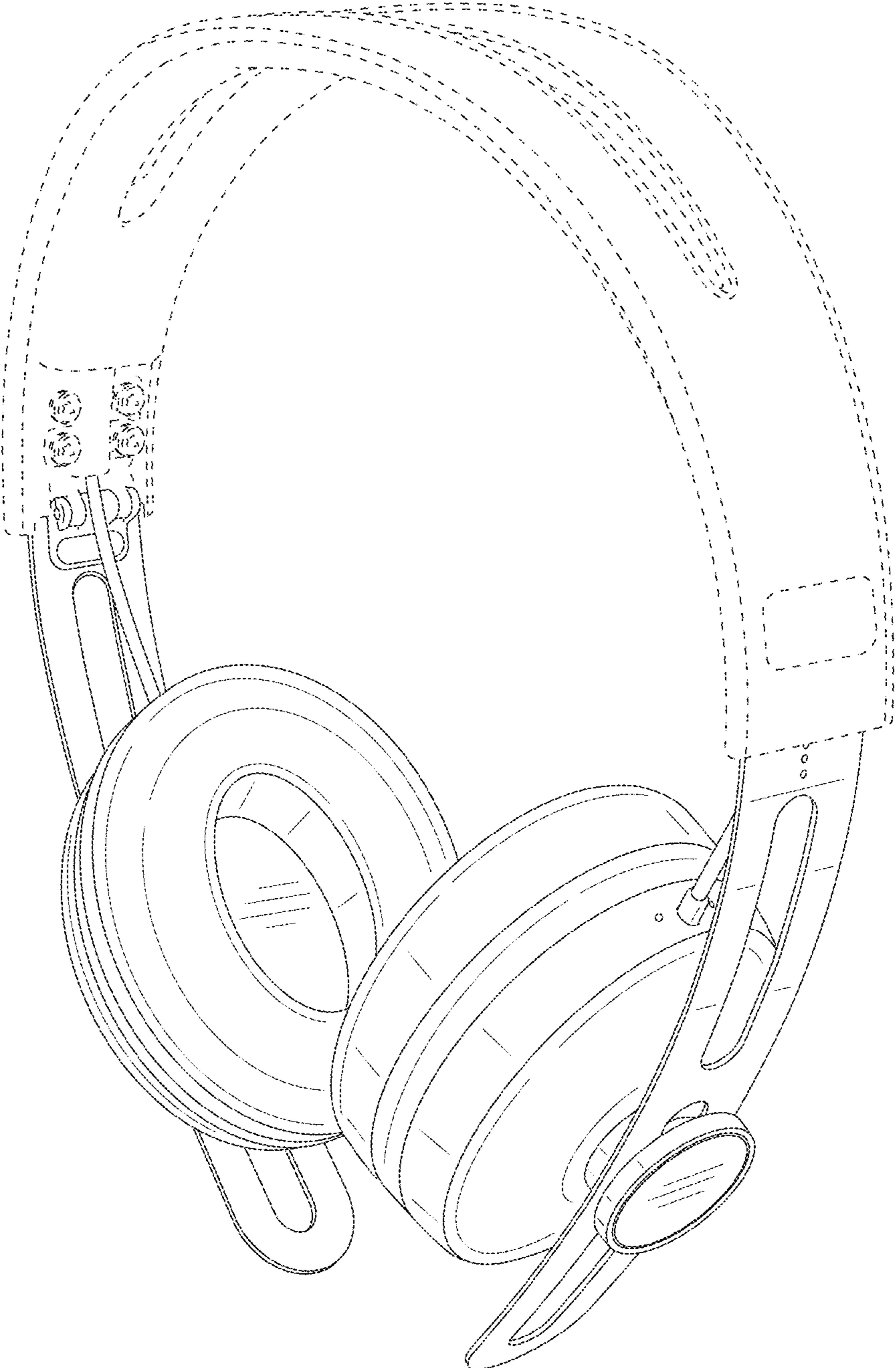


Fig. 2.2

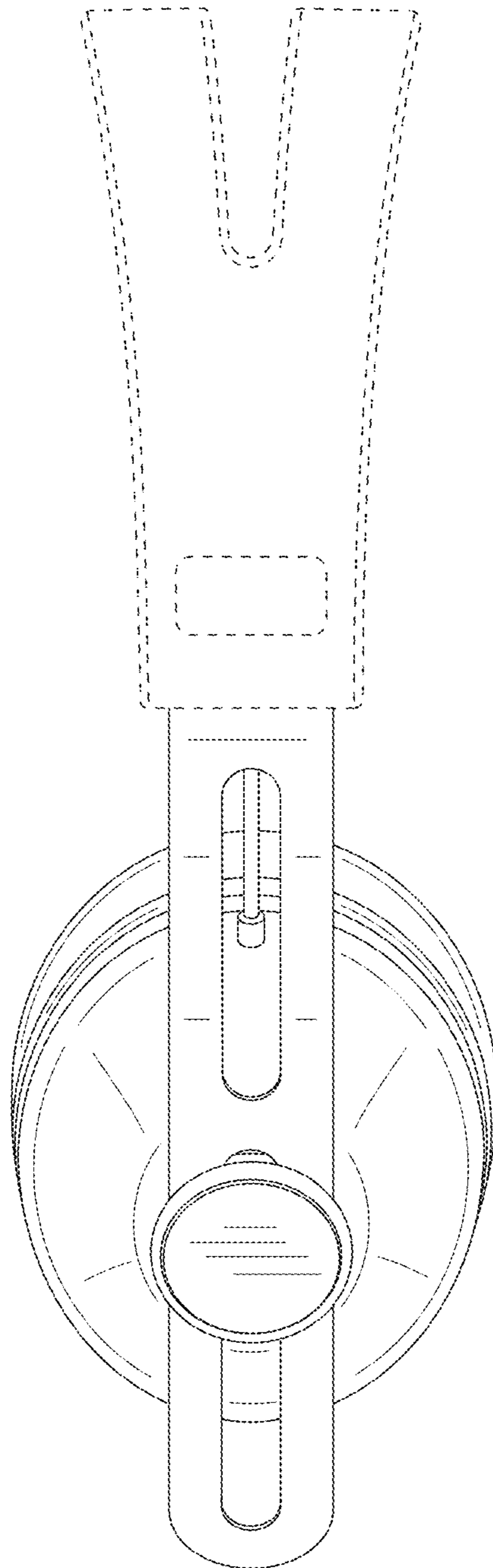


Fig. 2.3

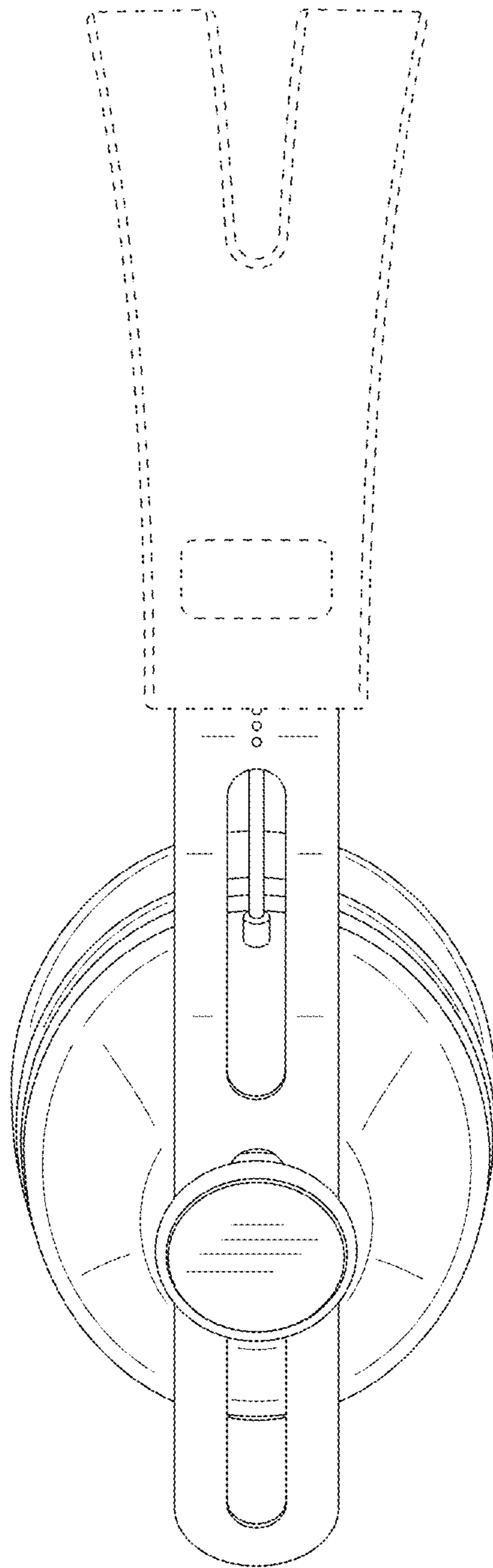


Fig. 2.4

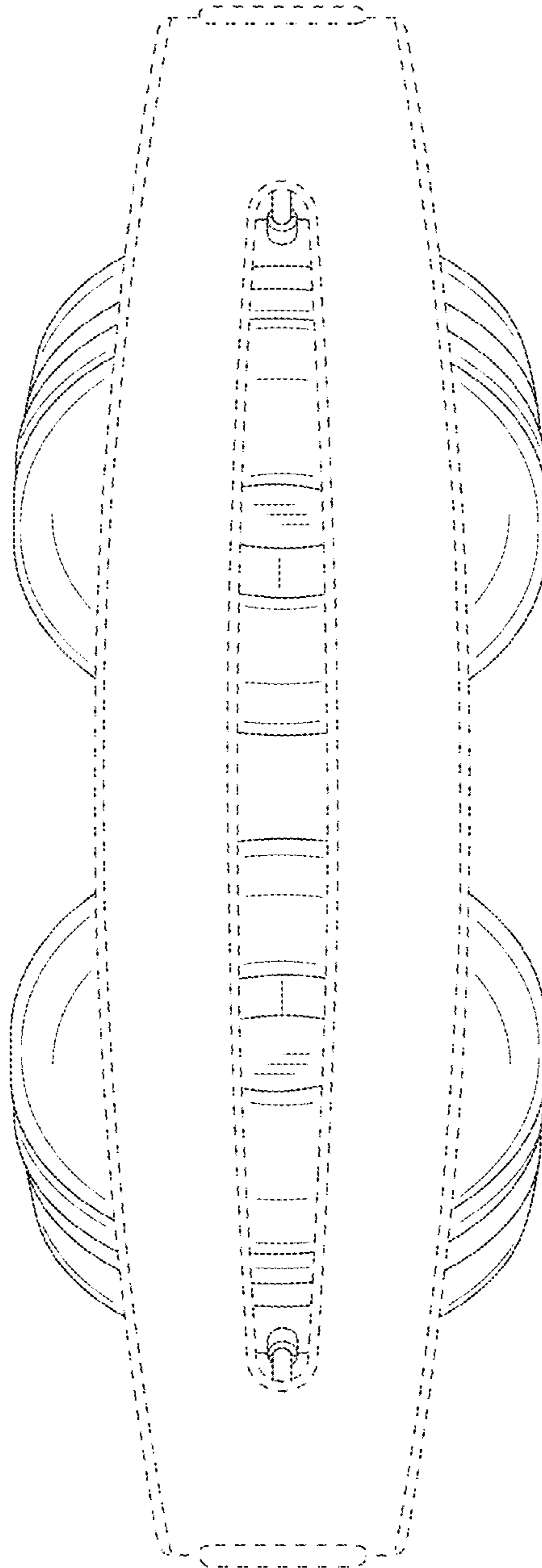


Fig. 2.5

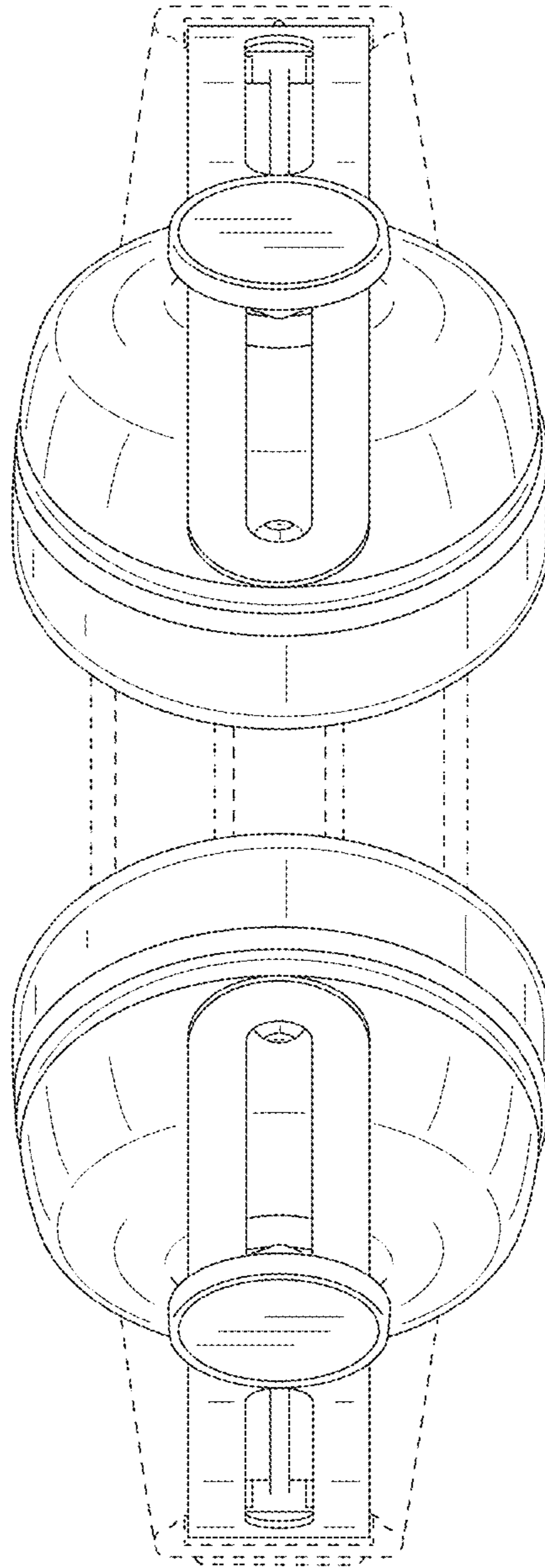


Fig. 2.6

