



US00D810717S

(12) **United States Design Patent**  
**Magness et al.**

(10) **Patent No.:** **US D810,717 S**

(45) **Date of Patent:** **\*\* Feb. 20, 2018**

(54) **SPEAKER**

(71) Applicant: **OTTER PRODUCTS, LLC**, Fort Collins, CO (US)

(72) Inventors: **Cameron D. Magness**, Fort Collins, CO (US); **Jonathan B. Rayeski**, Fort Collins, CO (US); **John P. Fitzgerald**, Fort Collins, CO (US)

(73) Assignee: **Otter Products, LLC**, Fort Collins, CO (US)

(\*\*) Term: **15 Years**

(21) Appl. No.: **29/592,743**

(22) Filed: **Feb. 1, 2017**

(51) **LOC (11) Cl.** ..... **14-01**

(52) **U.S. Cl.**  
USPC ..... **D14/204**

(58) **Field of Classification Search**  
USPC ..... D14/168, 188, 194, 195, 196, 204, 210, D14/211, 212, 213, 214, 215, 216, 197, D14/198  
CPC ..... B60R 11/0217; G06F 1/1688; G10K 9/22; G10K 11/004; H03F 1/327; H04M 1/03; H04M 1/035; H04N 5/642; H04N 21/4852; H04S 3/00; H04S 7/30; H04R 1/02; H04R 1/06; H04R 1/021; H04R 1/025; H04R 1/026; H04R 1/028; H04R 1/105; H04R 1/323; H04R 1/403; H04R 1/2803; H04R 1/2834; H04R 5/02; H04R 7/20; H04R 9/06; H04R 9/025; H04R 2201/021; H04R 2400/00; H04R 2400/07; H04R 2499/11; H04R 2499/13; H04R 2499/15

See application file for complete search history.

(56) **References Cited**

**U.S. PATENT DOCUMENTS**

4,071,111 A 1/1978 Croup  
D270,153 S \* 8/1983 Scholz ..... D14/221

D377,173 S \* 1/1997 Yuen ..... D14/168  
D383,755 S \* 9/1997 Muller ..... D14/168  
D385,983 S \* 11/1997 Wan ..... D14/168

(Continued)

**FOREIGN PATENT DOCUMENTS**

CN 105992094 A 10/2016  
CN 205647926 U 10/2016

**OTHER PUBLICATIONS**

YouTube—LifeProof Aquaphonics—AQ9, announced Apr. 20, 2016 [online], [site visited Dec. 26, 2017]. Available from internet, URL: <https://www.youtube.com/watch?v=gFAAbCxEUk>.\*

(Continued)

*Primary Examiner* — Keli L Hill  
*Assistant Examiner* — Karra S Johnson

(57) **CLAIM**

The ornamental design for a speaker, as shown and described.

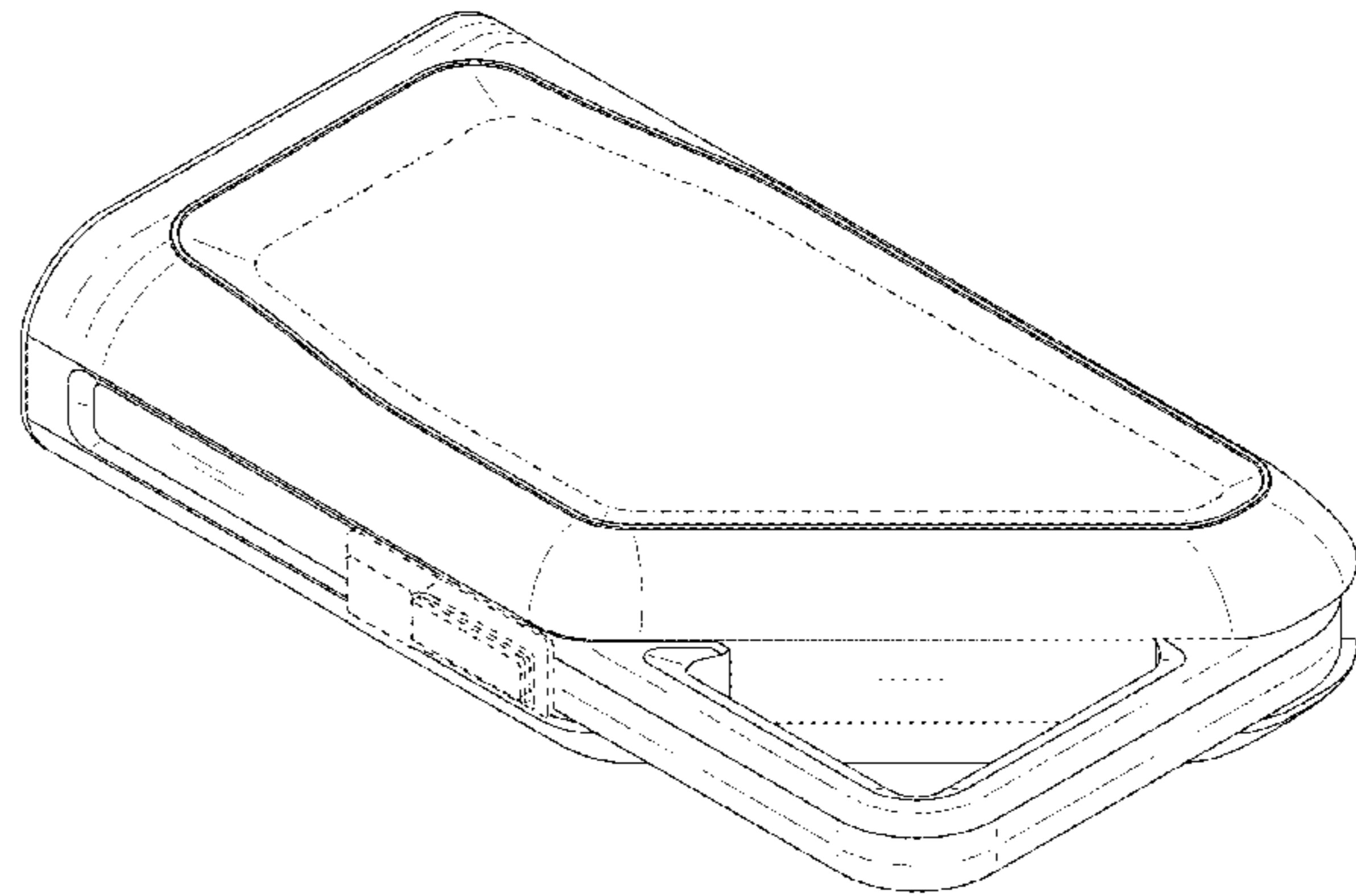
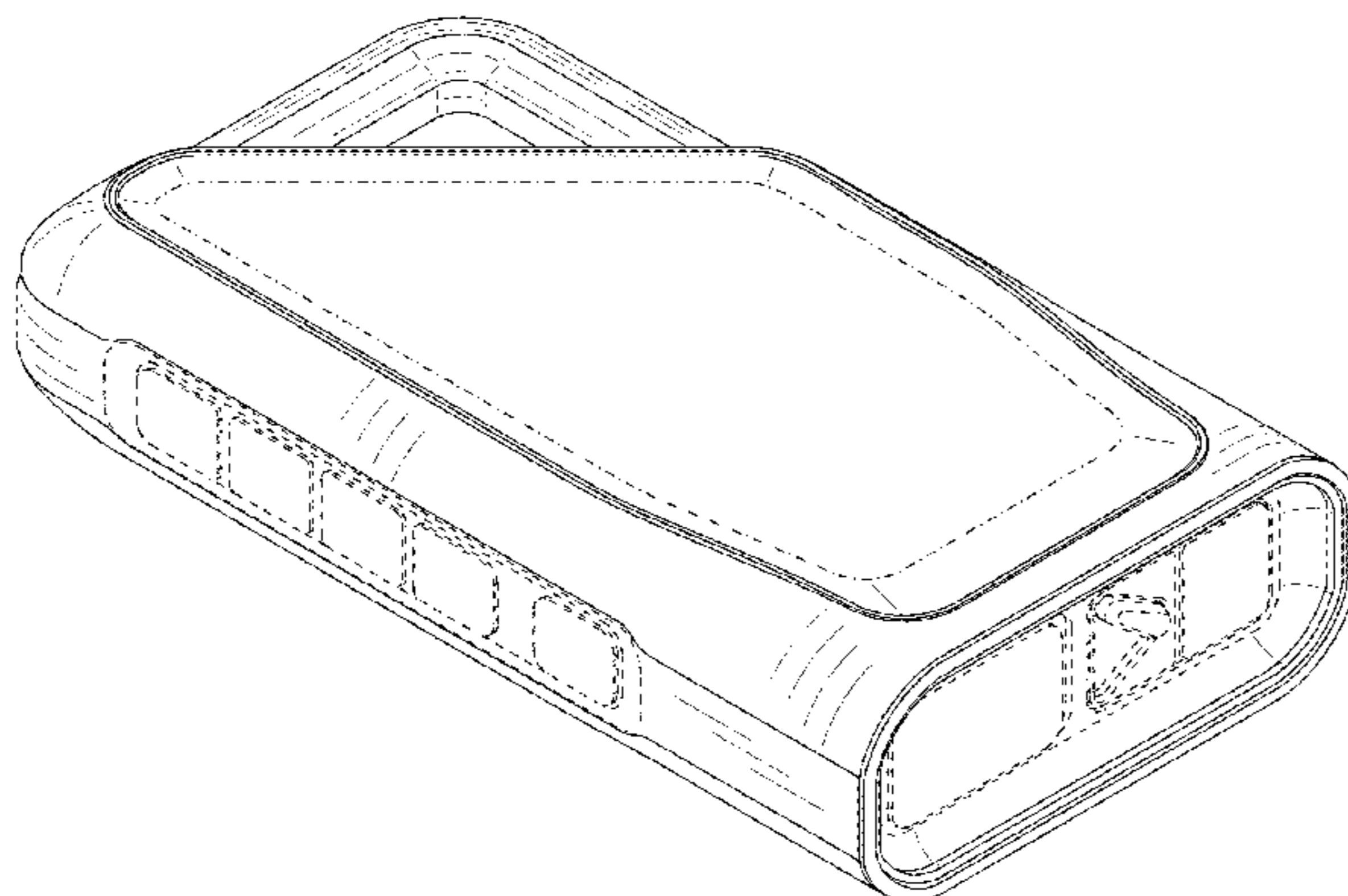
**DESCRIPTION**

FIG. 1 is a front isometric view of a speaker showing our new design;  
FIG. 2 is a rear isometric view thereof;  
FIG. 3 is a front view thereof;  
FIG. 4 is a rear view thereof;  
FIG. 5 is a left view thereof shown on an enlarged scale;  
FIG. 6 is a right view thereof shown on an enlarged scale;  
FIG. 7 is a top view thereof; and,  
FIG. 8 is a bottom view thereof.

The dot-dash broken line represents a boundary of the claimed design. The dash-dash broken lines throughout the drawing figures depict portions of the speaker that form no part of the claimed design.

The broken lines and unshaded surfaces bounded by broken lines form no part of the claimed design.

**1 Claim, 5 Drawing Sheets**



(56)

References Cited

U.S. PATENT DOCUMENTS

D432,027 S \* 10/2000 Fox ..... D10/2  
 6,357,890 B1 \* 3/2002 Parsons ..... A44B 15/00  
 362/116  
 D459,338 S \* 6/2002 Sterzick ..... D14/196  
 D461,312 S \* 8/2002 Proot ..... D3/318  
 D467,819 S \* 12/2002 Tang ..... D10/30  
 D469,023 S \* 1/2003 Mah ..... D10/15  
 D489,703 S \* 5/2004 Tien ..... D14/168  
 D500,020 S \* 12/2004 Tanaka ..... D14/168  
 7,006,651 B2 2/2006 Ueki  
 D563,943 S \* 3/2008 Watanabe ..... D14/188  
 D581,943 S \* 12/2008 Pedersen ..... D14/150  
 D587,244 S \* 2/2009 Lim ..... D14/214  
 D636,759 S 4/2011 Chen  
 D637,588 S \* 5/2011 Richardson ..... D14/250  
 D653,207 S \* 1/2012 Vandiver ..... D13/108  
 D656,124 S \* 3/2012 Smith ..... D14/204  
 D656,924 S \* 4/2012 Mehlsen ..... D14/226  
 D692,412 S 10/2013 Silvera  
 D706,779 S \* 6/2014 Kawasaki ..... D14/356  
 D716,168 S \* 10/2014 Au Yeung ..... D10/70  
 8,913,771 B2 \* 12/2014 Filson ..... G06F 1/1656  
 345/169  
 D725,632 S 3/2015 Zhao  
 D726,158 S 4/2015 Zhao  
 9,008,342 B1 4/2015 Hagman  
 D732,006 S 6/2015 Zhao  
 9,094,747 B2 7/2015 Rayner  
 D737,249 S 8/2015 Zhao  
 9,307,307 B2 4/2016 Florczak et al.  
 D755,162 S 5/2016 He  
 D758,336 S \* 6/2016 Kelly ..... D14/204  
 D761,229 S 7/2016 Tang  
 D762,621 S 8/2016 Bolton  
 9,820,052 B2 \* 11/2017 Mao ..... H04R 9/025  
 2006/0278469 A1 12/2006 Baytman et al.  
 2015/0201266 A1 \* 7/2015 Abreu ..... H04R 1/1033  
 381/374  
 2015/0222986 A1 8/2015 Hagman  
 2017/0208911 A1 \* 7/2017 Goldfain ..... A45C 11/00

OTHER PUBLICATIONS

Beautiful Enterprise Co., LTD, Grant of Equipment Authorization for FCC Identifier: UZZLPSAN0005, 79 pages, publicly available Sep. 28, 2016.  
 Beautiful Enterprise Co., LTD, Grant of Equipment Authorization for FCC Identifier: UZZLPSAN0006, 133 pages, publicly available Oct. 12, 2016.  
 Beautiful Enterprise Co., LTD, Grant of Equipment Authorization for FCC Identifier: UZZLPSAN0007, 120 pages, publicly available Oct. 12, 2016.  
 HMDX, Hangtime Portable Bluetooth Speaker webpage, available at <https://www.hmdxaudio.com/portable-speakers/hangtime-wireless-speaker>, downloaded Feb. 20, 2017.  
 Ion Audio, Clipster webpage, available at <https://www.ionaudio.com/products/details/clipster>, downloaded Feb. 20, 2017.  
 JBL by Harman, JBL Charge 3 webpage, available at [http://www.jbl.com/bluetooth-speakers/JBL+CHARGE+III.html?dwvar\\_JBL%20CHARGE%20III\\_color=Black#start=1](http://www.jbl.com/bluetooth-speakers/JBL+CHARGE+III.html?dwvar_JBL%20CHARGE%20III_color=Black#start=1), downloaded Feb. 20, 2017.  
 JBL by Harman, JBL Clip + webpage, available at [http://www.jbl.com/bluetooth-speakers/JBL+CLIP+PLUS.html?dwvar\\_JBL%20CLIP%20PLUS\\_color=Black#start=1](http://www.jbl.com/bluetooth-speakers/JBL+CLIP+PLUS.html?dwvar_JBL%20CLIP%20PLUS_color=Black#start=1), downloaded Feb. 20, 2017.  
 JBL by Harman, JBL Flip webpage, available [http://www.jbl.com/bluetooth-speakers/JBL+FLIP.html?dwvar\\_JBL%20FLIP\\_color=Blue#start=1](http://www.jbl.com/bluetooth-speakers/JBL+FLIP.html?dwvar_JBL%20FLIP_color=Blue#start=1), downloaded Feb. 20, 2017.  
 JBL by Harman, JBL Trip webpage, available at [http://www.jbl.com/ifa-products/JBLTRIP.html?dwvar\\_JBLTRIP\\_color=Black#start=1](http://www.jbl.com/ifa-products/JBLTRIP.html?dwvar_JBLTRIP_color=Black#start=1), downloaded Feb. 20, 2017.  
 JBL by Harman, JBL Xtreme webpage, [http://www.jbl.com/bluetooth-speakers/XTREME.html?dwvar\\_XTREME\\_color=Blue#start=1](http://www.jbl.com/bluetooth-speakers/XTREME.html?dwvar_XTREME_color=Blue#start=1), downloaded Feb. 20, 2017.  
 Polaroid Green Bluetooth(R) Mini Clip Speaker webpage, available at [http://www.biglots.com/product/green-bluetooth-mini-clip-speaker/p810280373?zcp=PD\\_PLA\\_go\\_ElectronicsOffice\\_Speakers\\_810280373&product\\_id=810280373&adpos=1o3&creative=164098206670&device=c&matchtype=&network=g&gclid=CjwKEAiAxKrFBRDm25f60OegtwwSJABgEC-ZZU7gX\\_0eZ9jS4K2Efl\\_4LHDFbTnIGAX1GD5nmtrlhoCvuXw\\_wcB](http://www.biglots.com/product/green-bluetooth-mini-clip-speaker/p810280373?zcp=PD_PLA_go_ElectronicsOffice_Speakers_810280373&product_id=810280373&adpos=1o3&creative=164098206670&device=c&matchtype=&network=g&gclid=CjwKEAiAxKrFBRDm25f60OegtwwSJABgEC-ZZU7gX_0eZ9jS4K2Efl_4LHDFbTnIGAX1GD5nmtrlhoCvuXw_wcB), downloaded Feb. 20, 2017.

\* cited by examiner

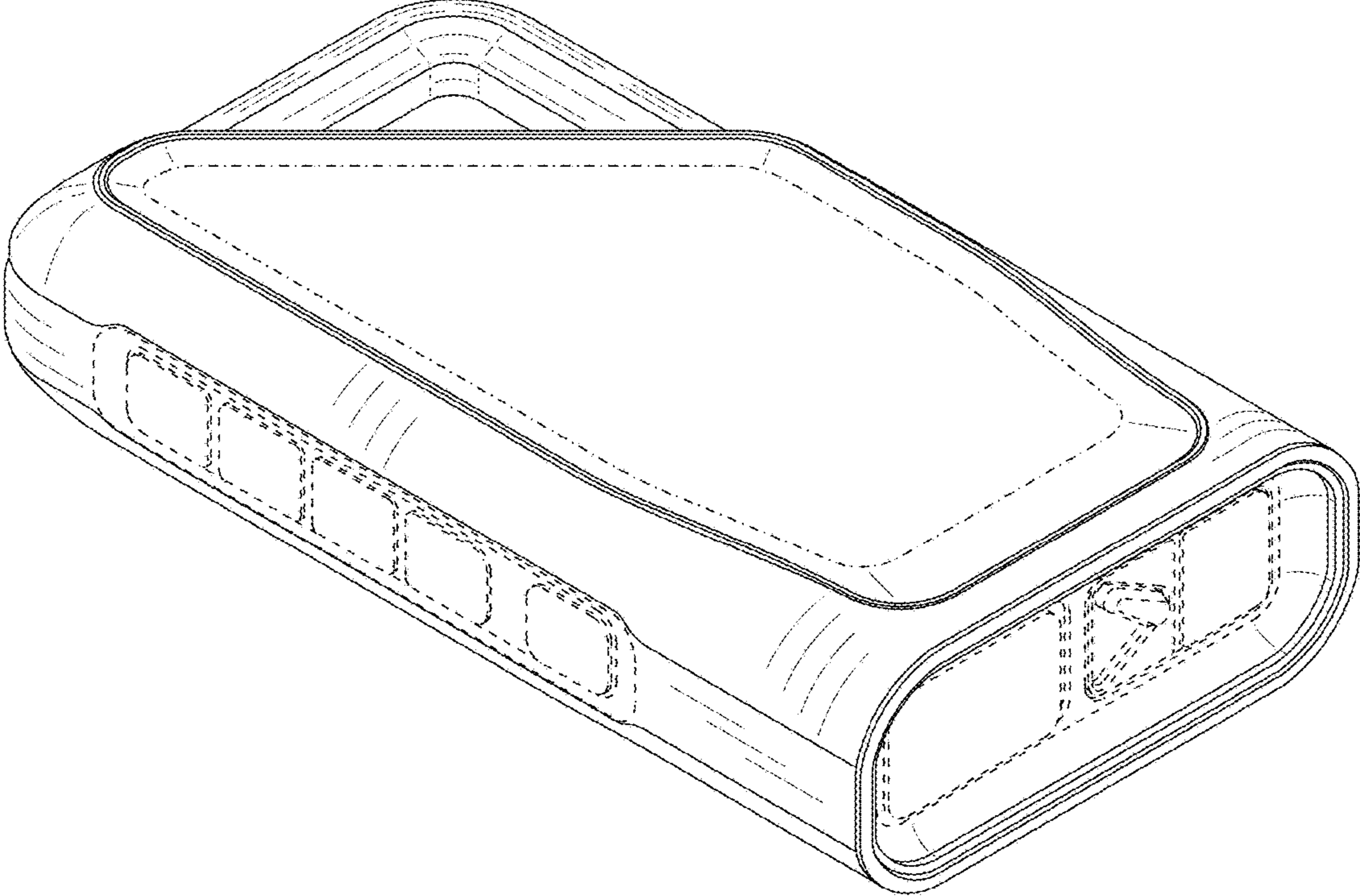


FIG. 1

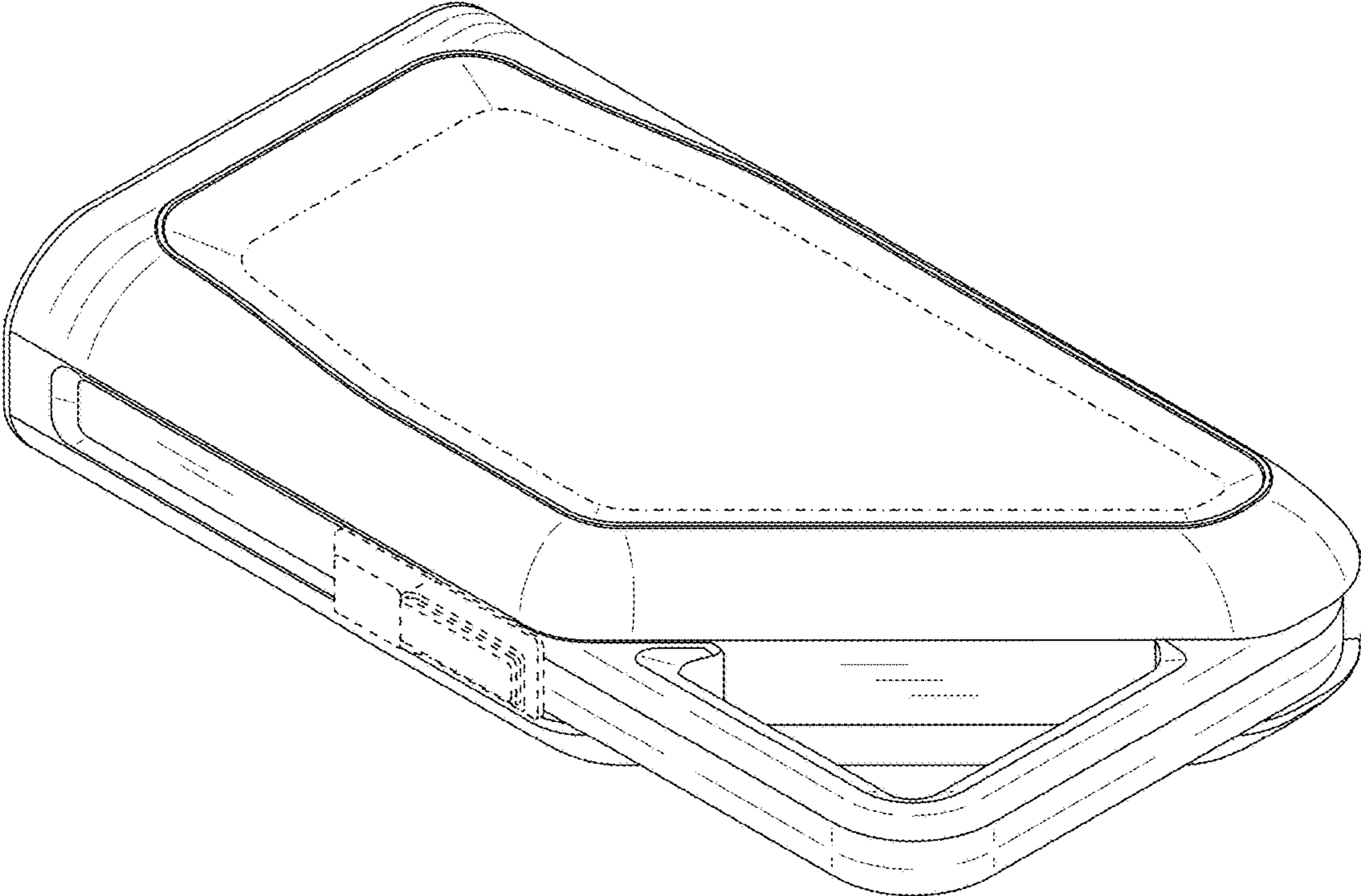


FIG. 2

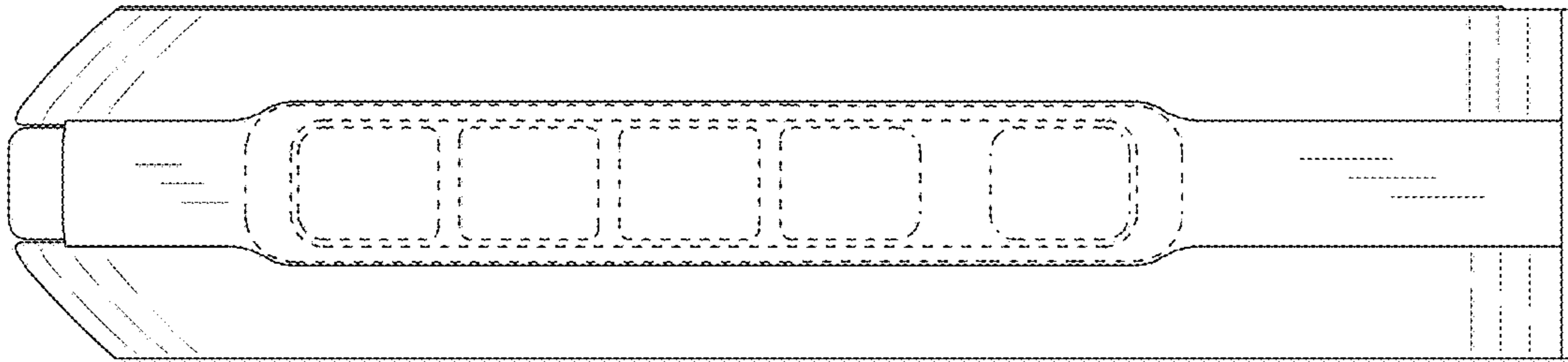


FIG. 3

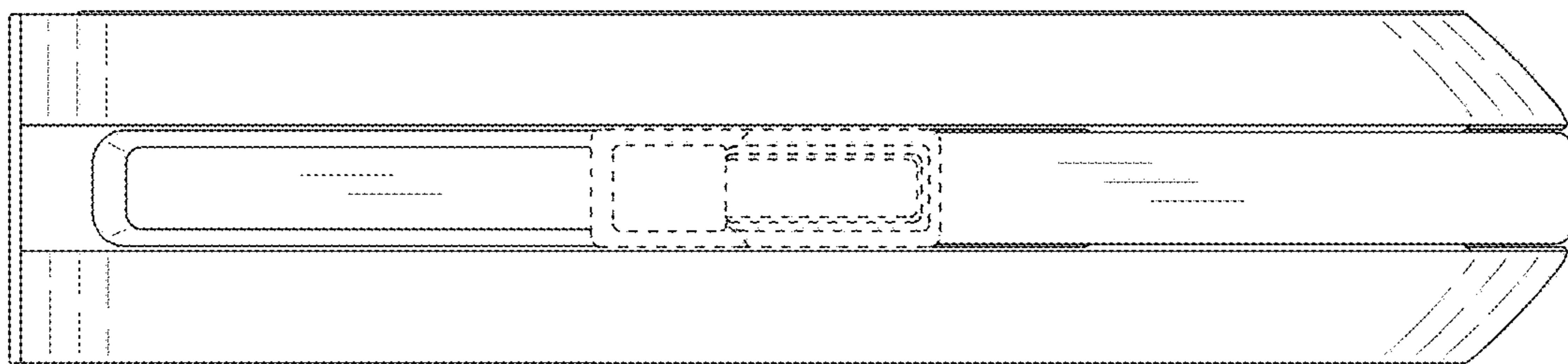


FIG. 4

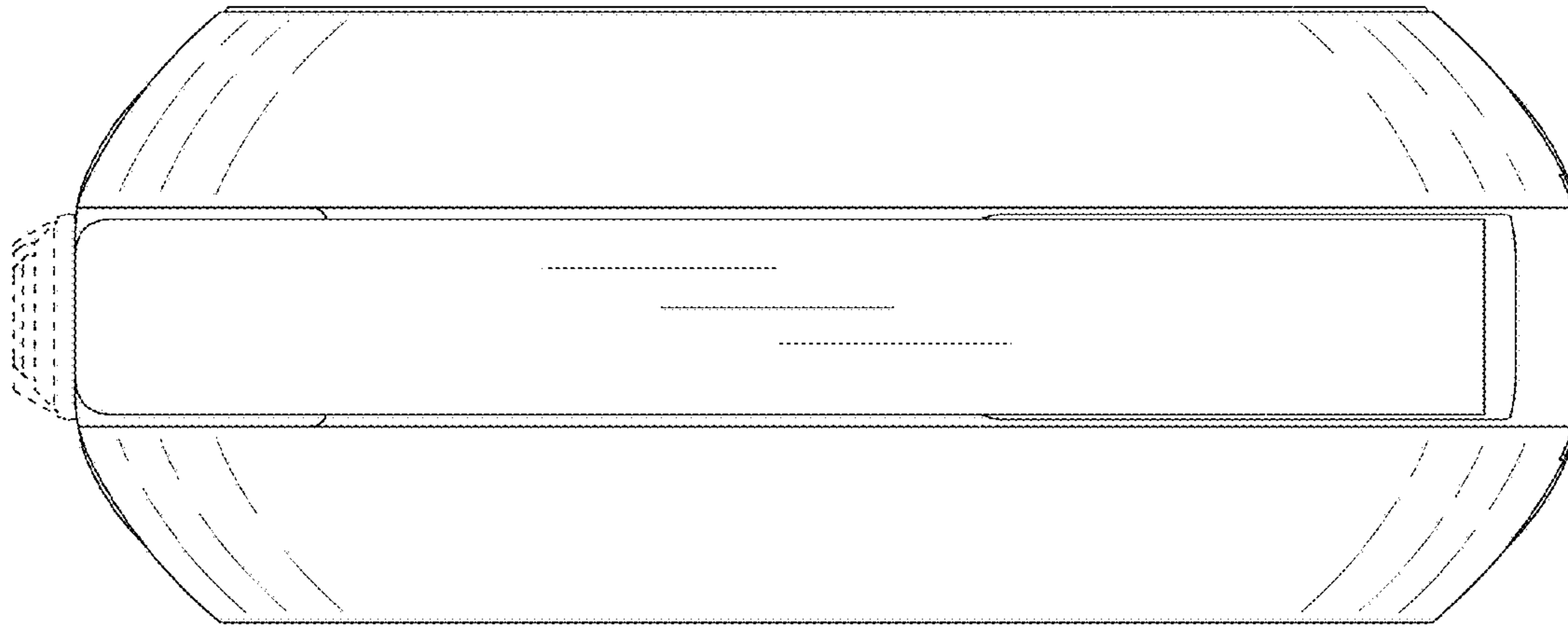


FIG. 5

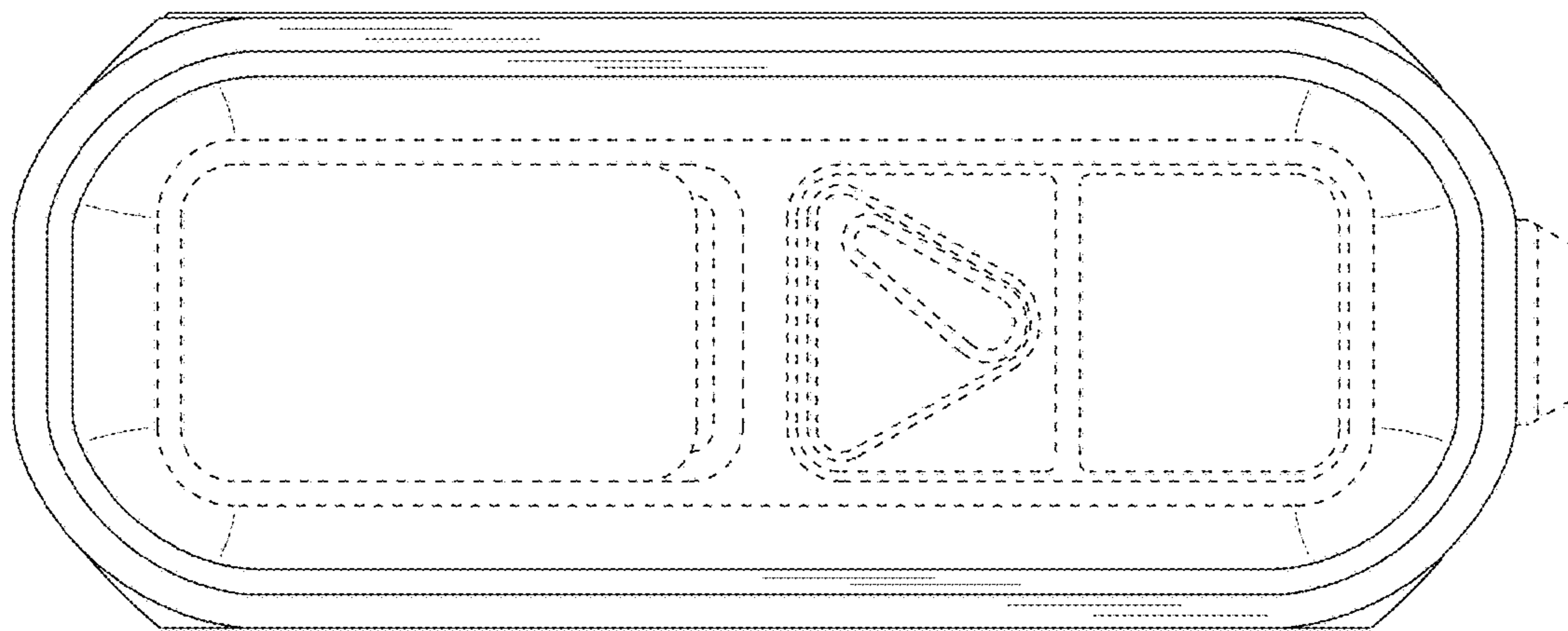


FIG. 6

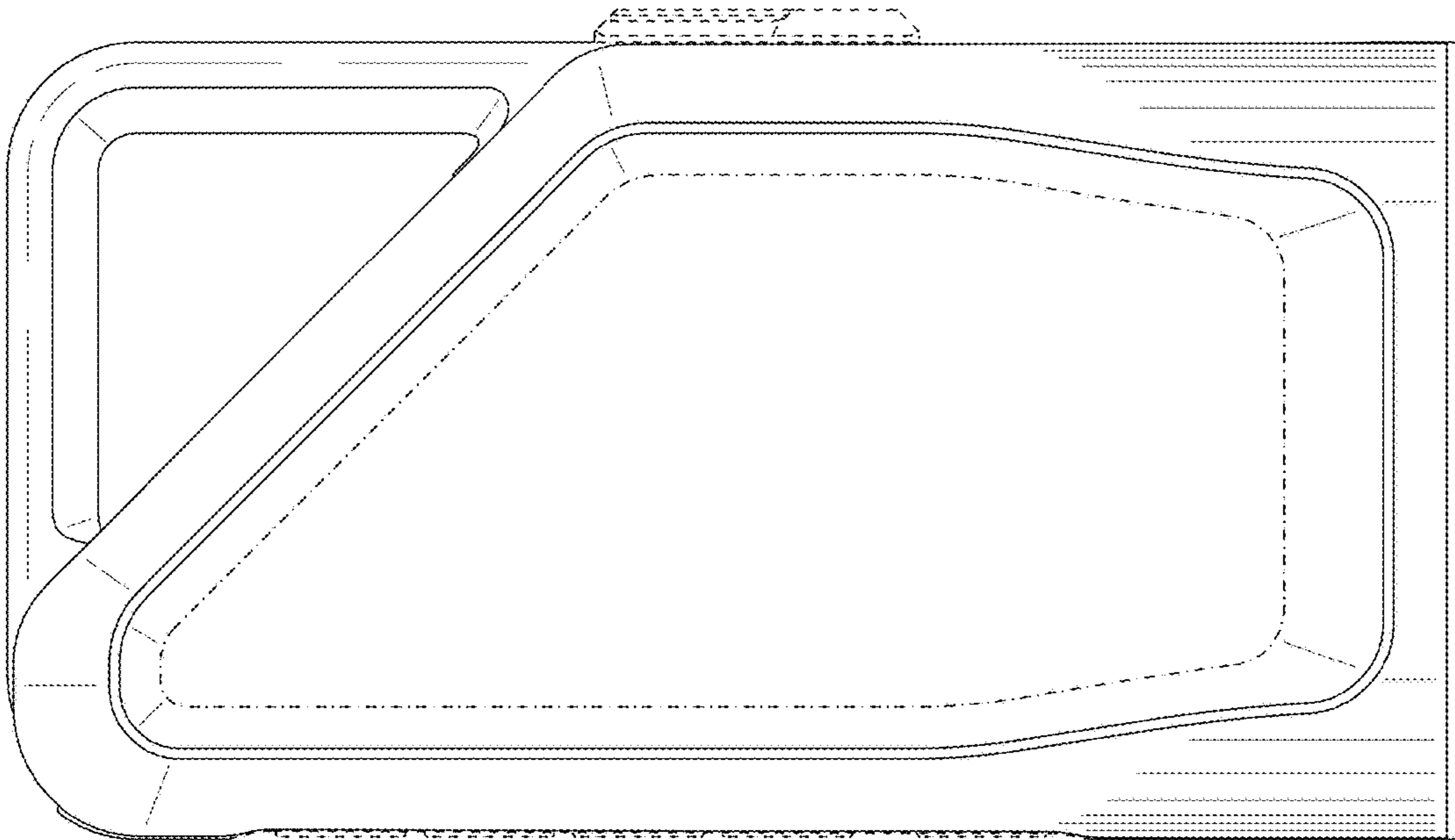


FIG. 7

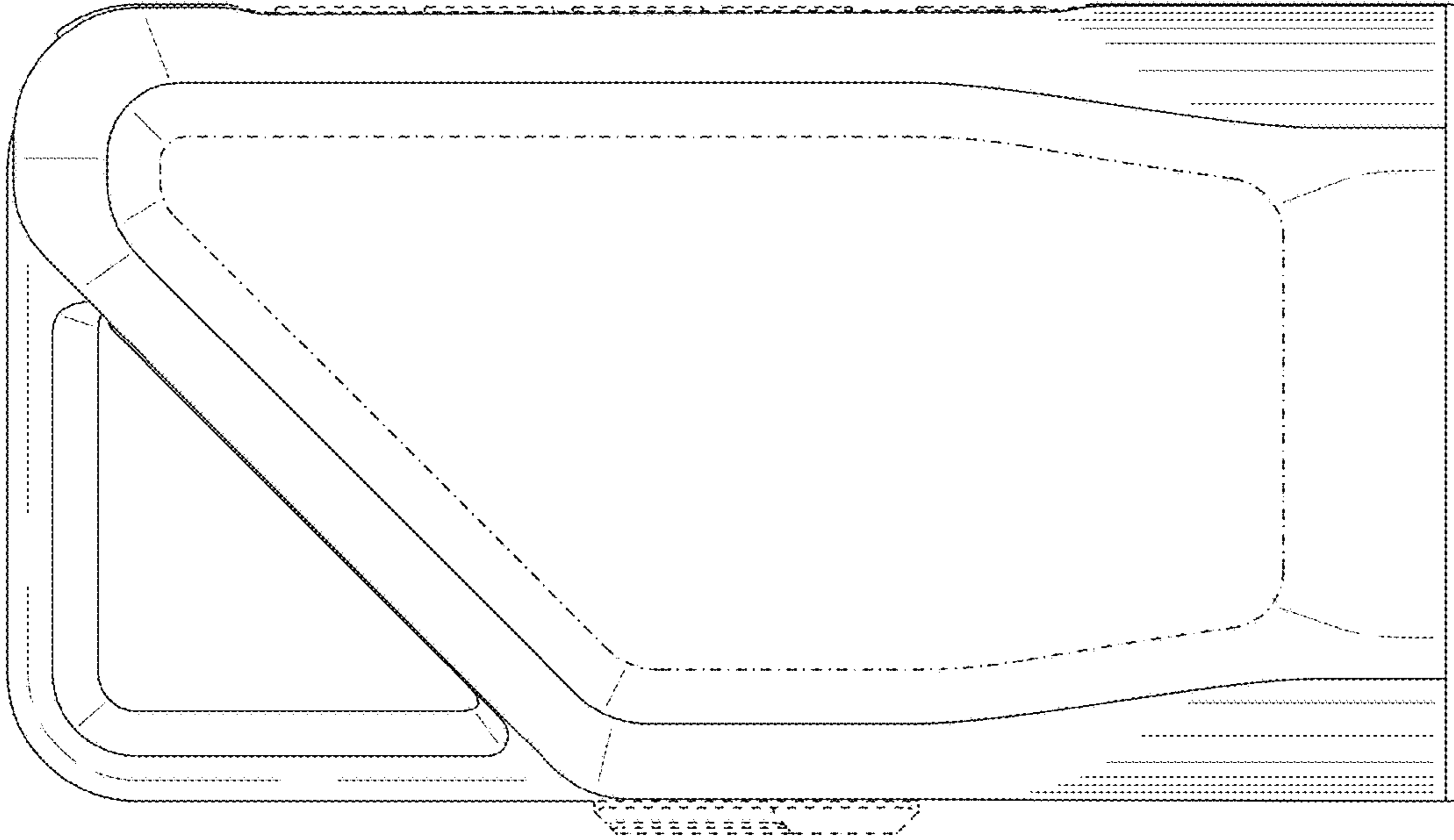


FIG. 8