



US00D810716S

(12) **United States Design Patent** (10) **Patent No.:** **US D810,716 S**  
**Yang** (45) **Date of Patent:** **\*\* Feb. 20, 2018**

(54) **RECORD PLAYER**

(71) Applicant: **1byone Products Inc.**, Ontario, CA (US)

(72) Inventor: **Ruishi Yang**, Ontario, CA (US)

(73) Assignee: **1BYONE PRODUCTS INC.**, Ontario, CA (US)

(\*\*) Term: **15 Years**

(21) Appl. No.: **29/592,908**

(22) Filed: **Feb. 3, 2017**

(51) **LOC (11) Cl.** ..... **14-01**

(52) **U.S. Cl.**  
 USPC ..... **D14/203**

(58) **Field of Classification Search**  
 USPC ..... D14/199-203, 261; 369/264-265  
 CPC ..... B60R 11/02; B60K 37/04; B60K 37/06;  
 H04B 1/08; H04B 1/082  
 See application file for complete search history.

D491,915 S \* 6/2004 Warden ..... D14/203  
 D496,922 S \* 10/2004 Kimura ..... D14/500  
 D519,102 S \* 4/2006 Liu ..... D14/203  
 D628,981 S \* 12/2010 Mazur ..... D14/203

**OTHER PUBLICATIONS**

Vwestlife Youtube review of the 1byone bluetooth turntable, published Mar. 23, 2016. <https://www.youtube.com/watch?v=50Hr6C8IDr8>.\*

Foundonflim Youtube review of 1byone bluetooth turntable, published Apr. 4, 2016. <https://www.youtube.com/watch?v=bjbxHSCweyE>.\*

\* cited by examiner

*Primary Examiner* — Sandra L Morris  
 (74) *Attorney, Agent, or Firm* — Muncy, Geissler, Olds & Lowe, P.C.

(57) **CLAIM**

The ornamental design for a record player, as shown and described.

**DESCRIPTION**

FIG. 1 is a top plan view of a record player showing my new design;  
 FIG. 2 is a front elevational view thereof;  
 FIG. 3 is a right side view thereof;  
 FIG. 4 is a rear elevational view thereof;  
 FIG. 5 is a left side view thereof;  
 FIG. 6 is a top, front, right perspective view thereof; and,  
 FIG. 7 is a top, front, left perspective view thereof.

**1 Claim, 7 Drawing Sheets**

(56) **References Cited**

**U.S. PATENT DOCUMENTS**

D249,143 S \* 8/1978 Ohtomo ..... D14/203  
 D250,333 S \* 11/1978 Meunier ..... D14/203  
 D250,334 S \* 11/1978 Meunier ..... D14/203  
 D252,330 S \* 7/1979 Leech ..... D14/203  
 D253,648 S \* 12/1979 Ohtomo ..... D14/203  
 D265,196 S \* 6/1982 Matsumura ..... D14/202  
 D278,810 S \* 5/1985 Murphy ..... D14/203  
 D433,011 S \* 10/2000 O'Donnell ..... D14/202  
 D454,552 S \* 3/2002 Nakane ..... D14/168



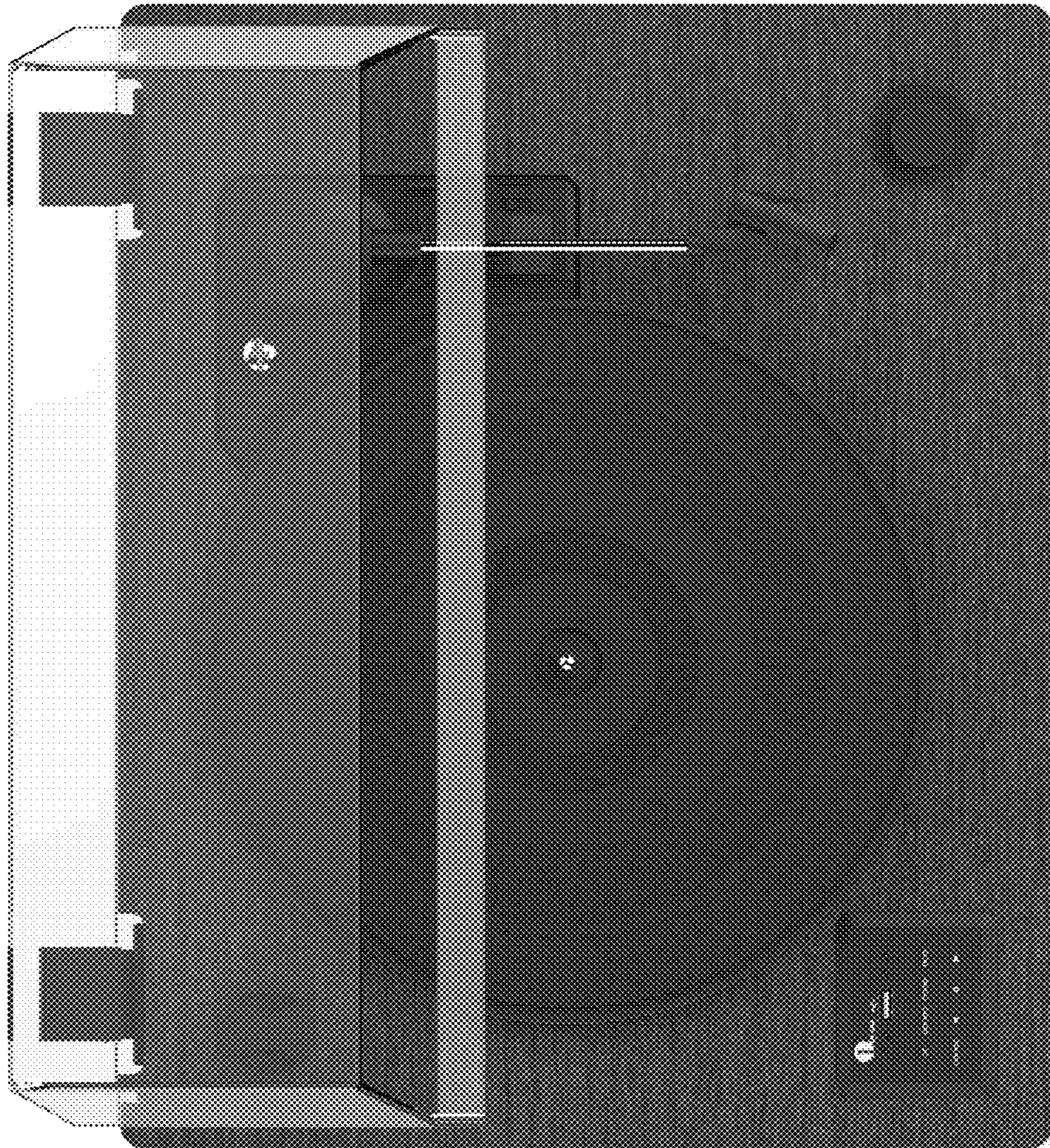


FIG. 1

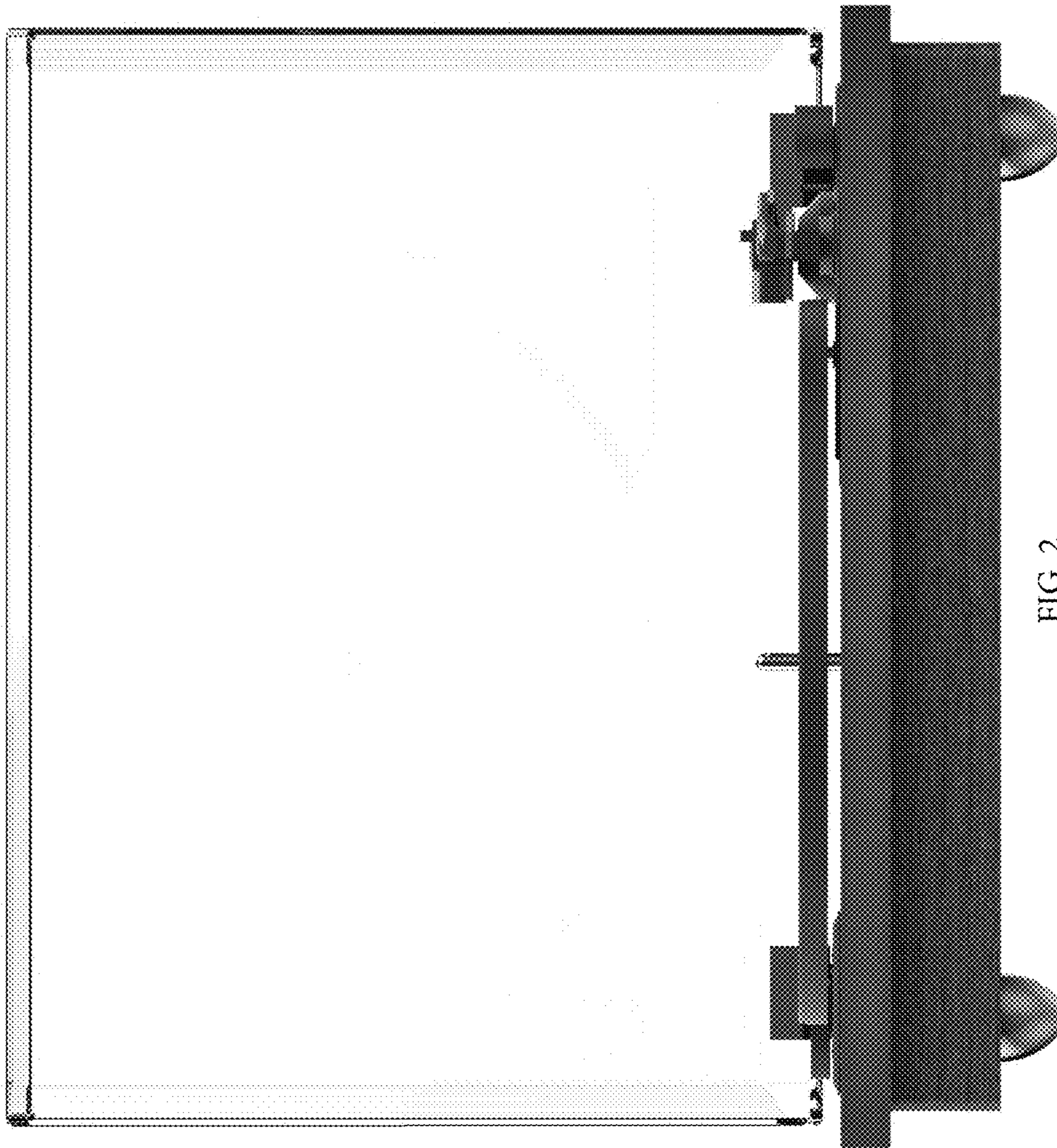


FIG. 2



FIG. 3

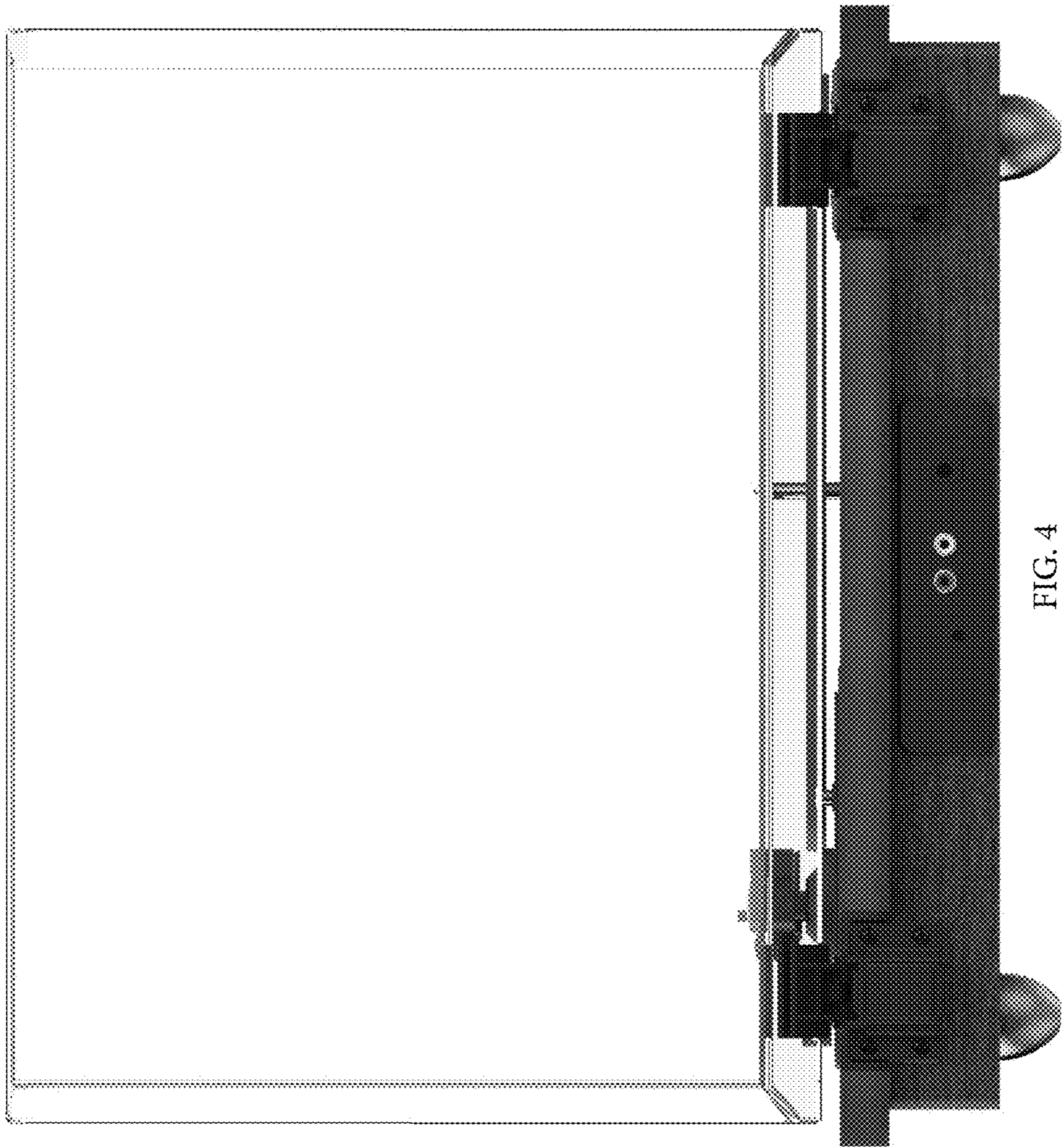


FIG. 4

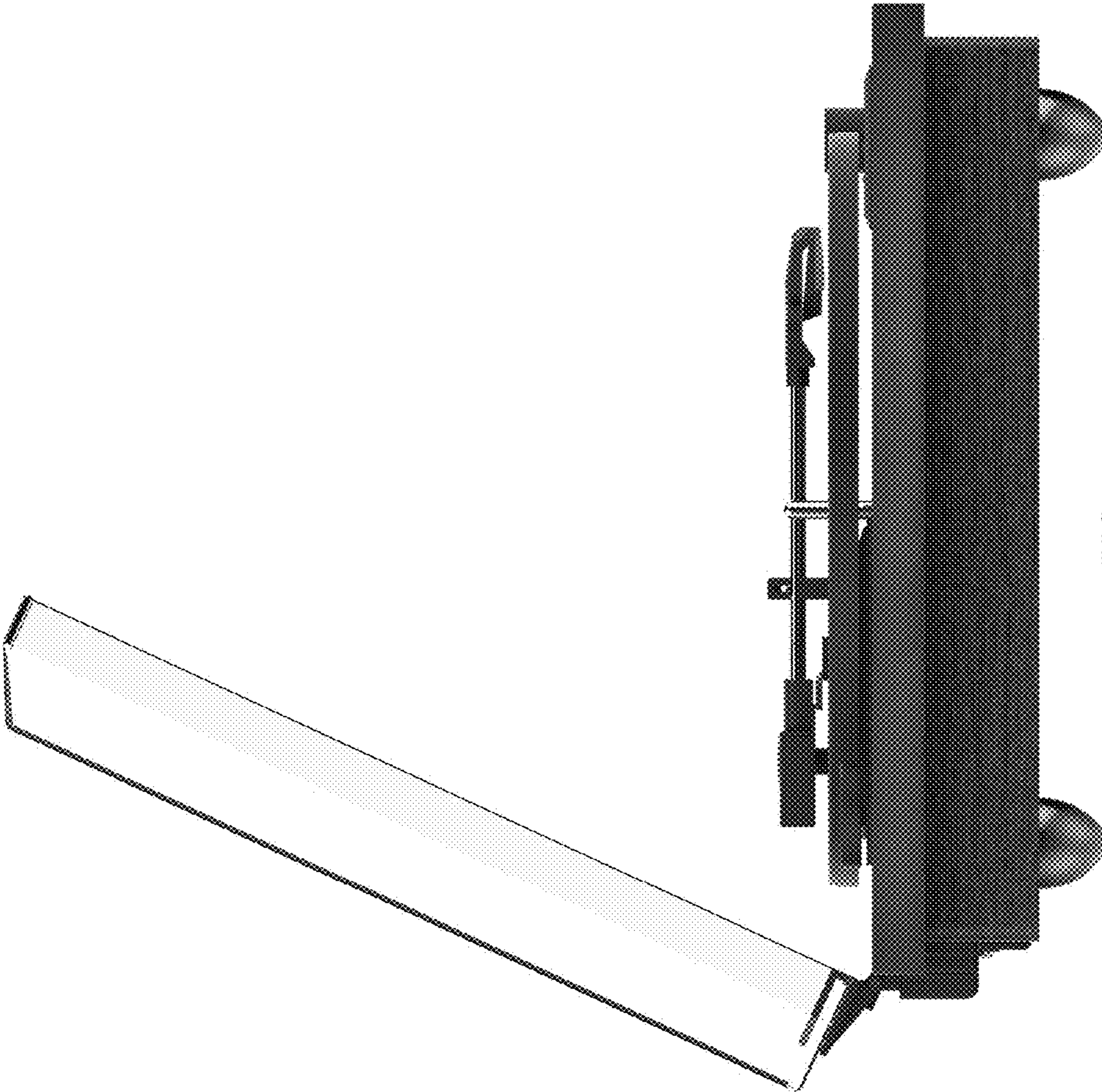


FIG. 5

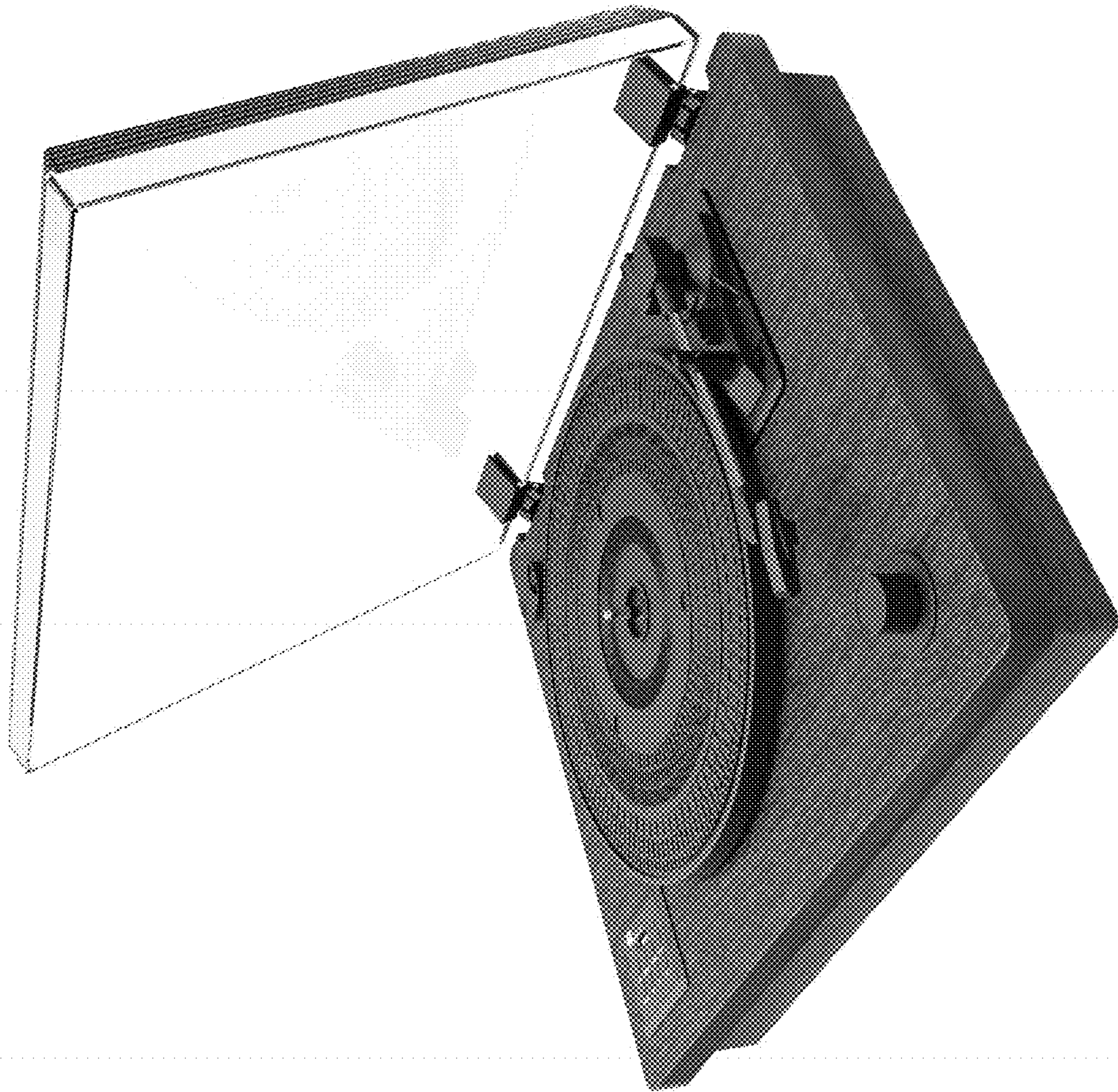


FIG. 6

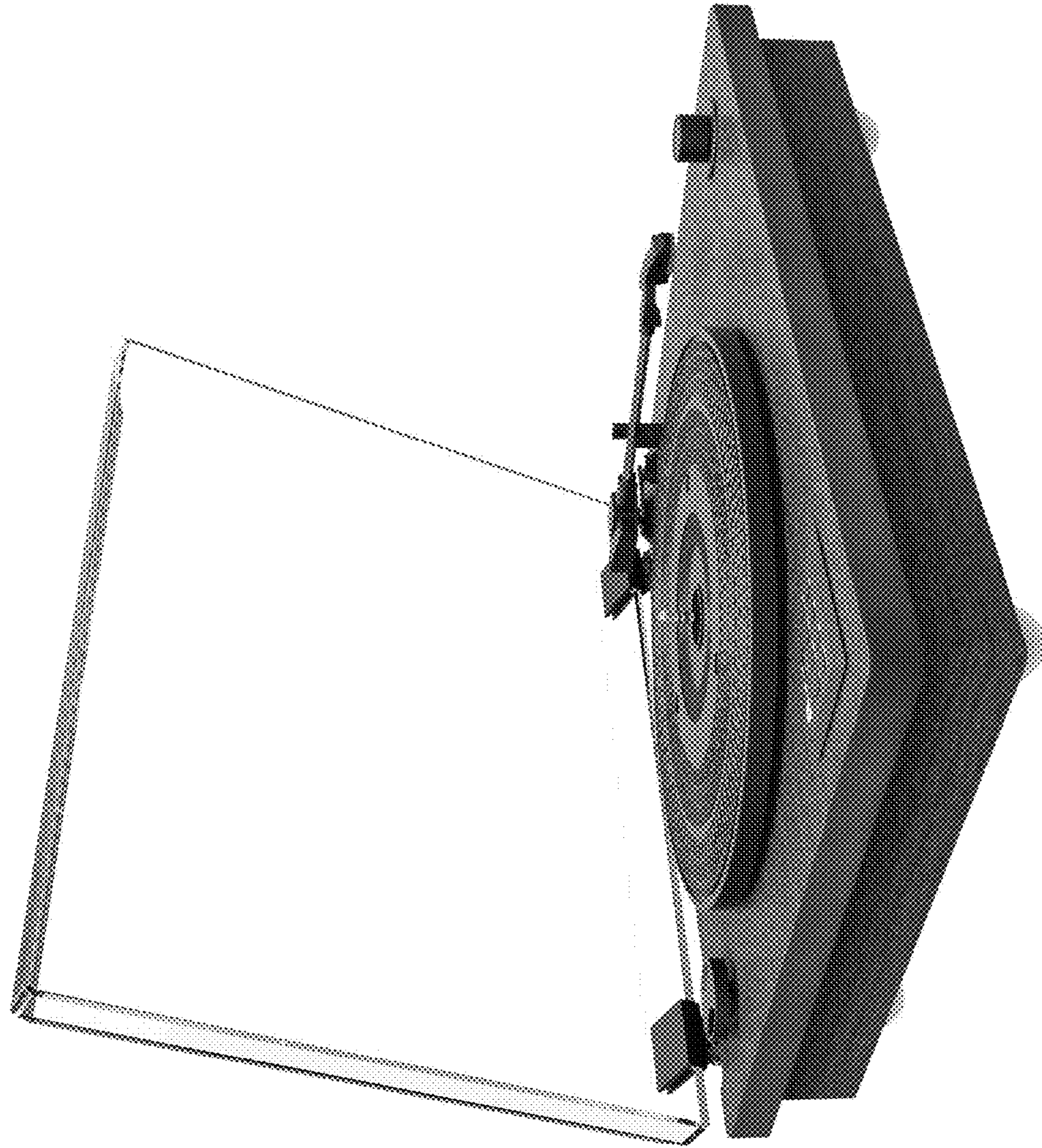


FIG. 7