



US00D810712S

(12) **United States Design Patent**
Song et al.

(10) **Patent No.:** **US D810,712 S**
(45) **Date of Patent:** **** Feb. 20, 2018**

(54) **TELEVISION RECEIVER**

G02B 6/0068; H05K 5/02; H05K 5/0004;
H05K 5/0017; H05K 5/0217

(71) Applicant: **LG DISPLAY CO., LTD.**, Seoul (KR)

See application file for complete search history.

(72) Inventors: **Hyun Jin Song**, Jeollabuk-do (KR); **Ji Woon Min**, Gyeonggi-do (KR); **Young Nam Lee**, Incheon (KR); **Jin Ho Choi**, Gyeonggi-do (KR); **Il Yong Kim**, Daejeon (KR); **Jang Hyun Cho**, Seoul (KR)

(56) **References Cited**

U.S. PATENT DOCUMENTS

D658,140	S	*	4/2012	Hwangbo	D14/126
D682,231	S	*	5/2013	Lee	D14/126
D733,081	S	*	6/2015	Won	D14/126
D751,074	S	*	3/2016	Liu	D14/374
D766,860	S	*	9/2016	Won	D14/126
D774,482	S	*	12/2016	Hong	D14/126

(73) Assignee: **LG DISPLAY CO., LTD.**, Seoul (KR)

* cited by examiner

(**) Term: **15 Years**

Primary Examiner — Keli L Hill

(21) Appl. No.: **35/501,734**

(74) *Attorney, Agent, or Firm* — Birch, Stewart, Kolasch & Birch, LLP

(22) Filed: **Apr. 15, 2016**

(80) **Hague Agreement Data**

Int. Filing Date: **Apr. 15, 2016**

Int. Reg. No.: **DM/091344**

Int. Reg. Date: **Apr. 15, 2016**

Int. Reg. Pub. Date: **Oct. 21, 2016**

(57) **CLAIM**

The ornamental design for a television receiver, as shown and described.

(30) **Foreign Application Priority Data**

Oct. 15, 2015 (KR) 30-2015-0051922

(51) **LOC (11) Cl.** **14-03**

(52) **U.S. Cl.**
USPC **D14/126**

(58) **Field of Classification Search**

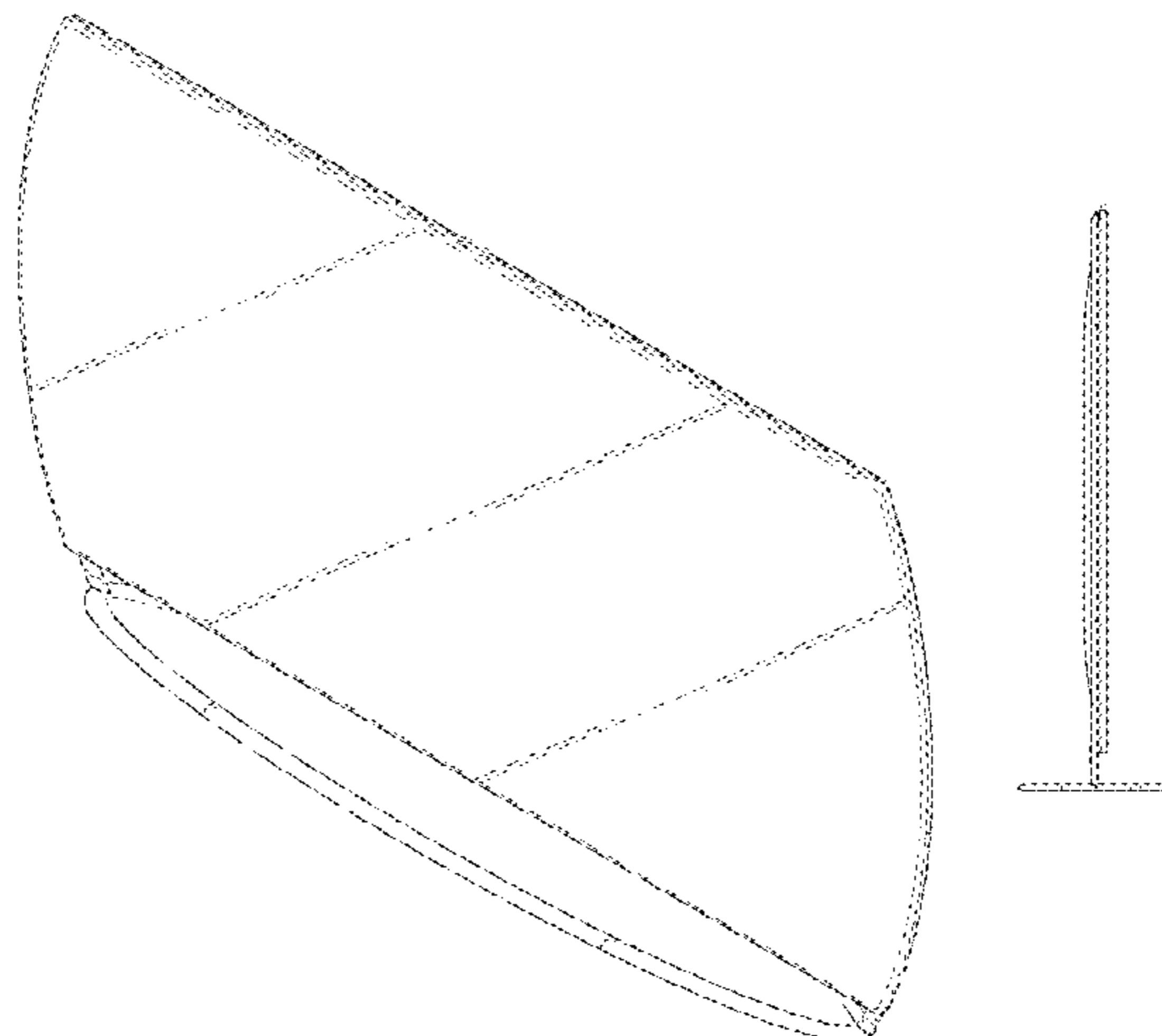
USPC D14/125, 126, 128, 133, 239, 336, 371,
D14/374-377, 448, 450; D20/10, 19, 39;
D21/329, 515; 312/7.2; 348/180, 184,
348/325, 739, 836, 838; 248/465,
248/917-924; 345/87, 104, 133, 156,
345/168, 173

CPC G06F 1/1601; G06F 1/1643; H04N 5/64;
H04N 5/66; H04N 5/655; H04N 7/00;
H04N 9/3141; H04N 13/0459; H04N
17/04; H04N 17/004; H04N 21/43637;

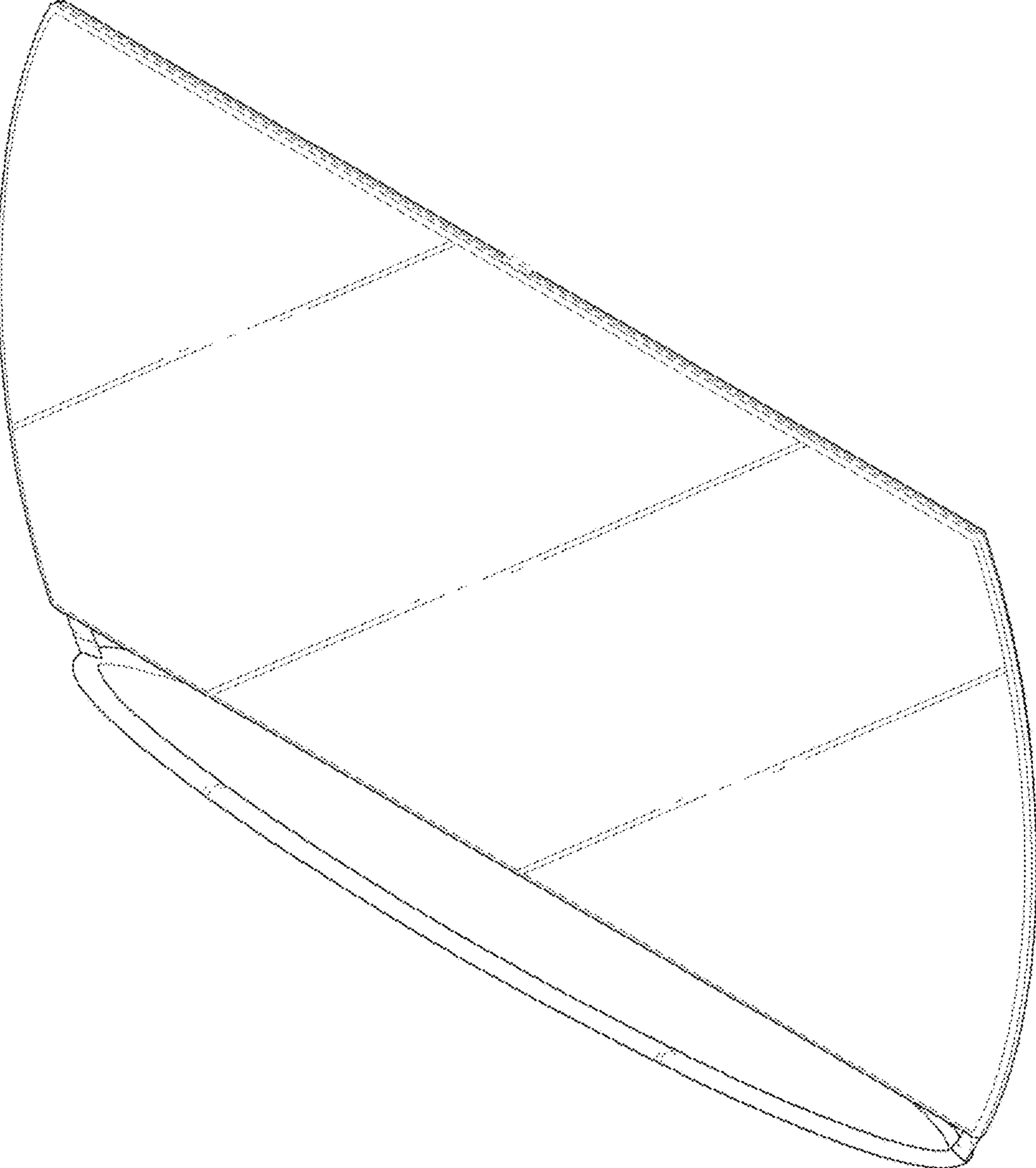
DESCRIPTION

1. Television receiver
 - 1.1 is a front perspective view.
 - 1.2 is a front elevation view.
 - 1.3 is a rear elevation view.
 - 1.4 is a left side elevation view, the right side elevation view being a mirror image.
 - 1.5 is a top plan view.
 - 1.6 is a bottom plan view.
 - 1.7 is a rear perspective view.
 - 1.8 is a first reference view, shown in use.
 - 1.9 is a second reference view, shown in use.
- The broken lines shown in reproductions 1.8 and 1.9 are included for the purpose of illustrating environment of the television receiver, while all other broken lines are included for the purpose of illustrating unclaimed portions of the article; the broken lines form no part of the claimed design.

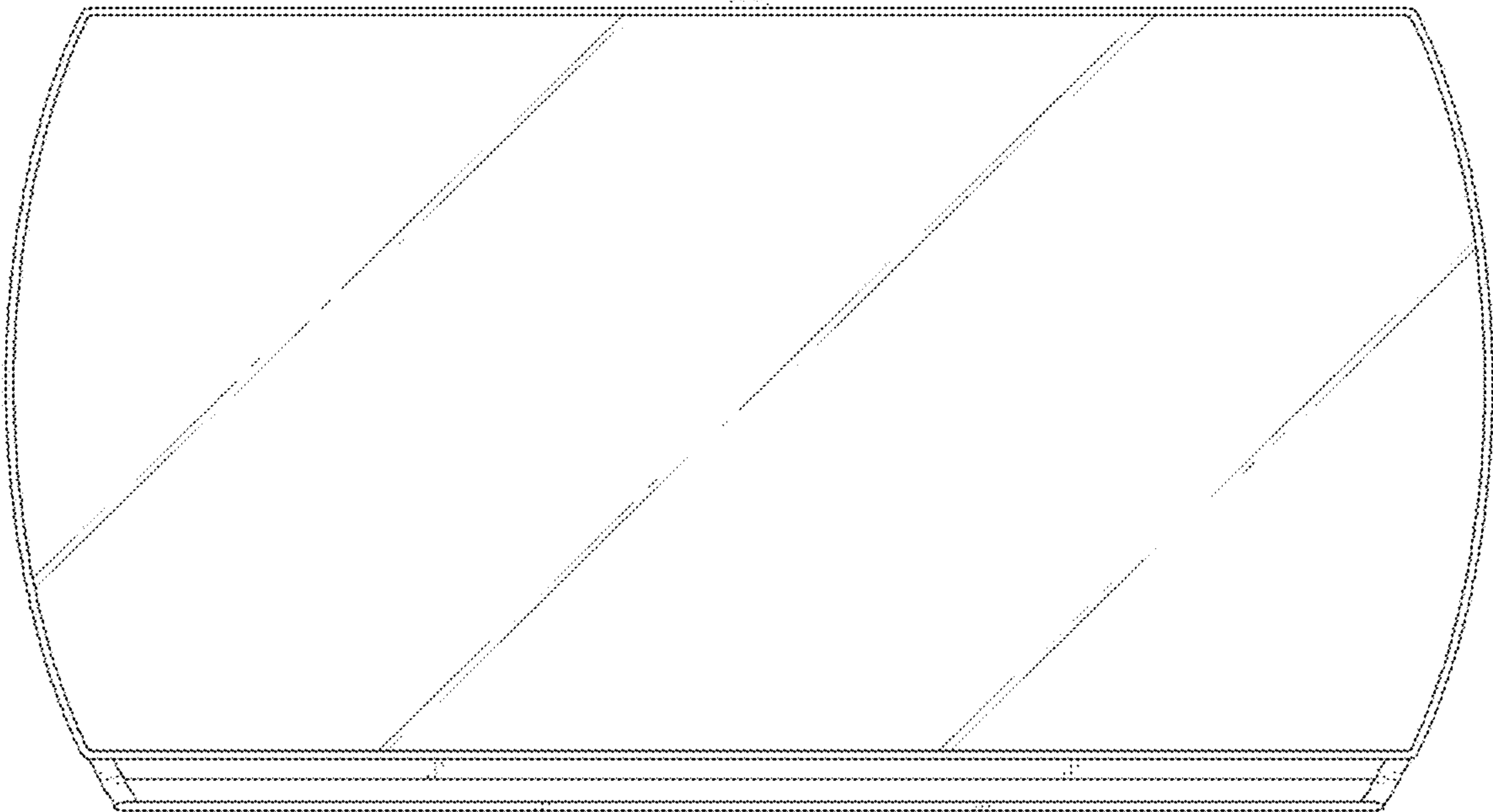
1 Claim, 9 Drawing Sheets



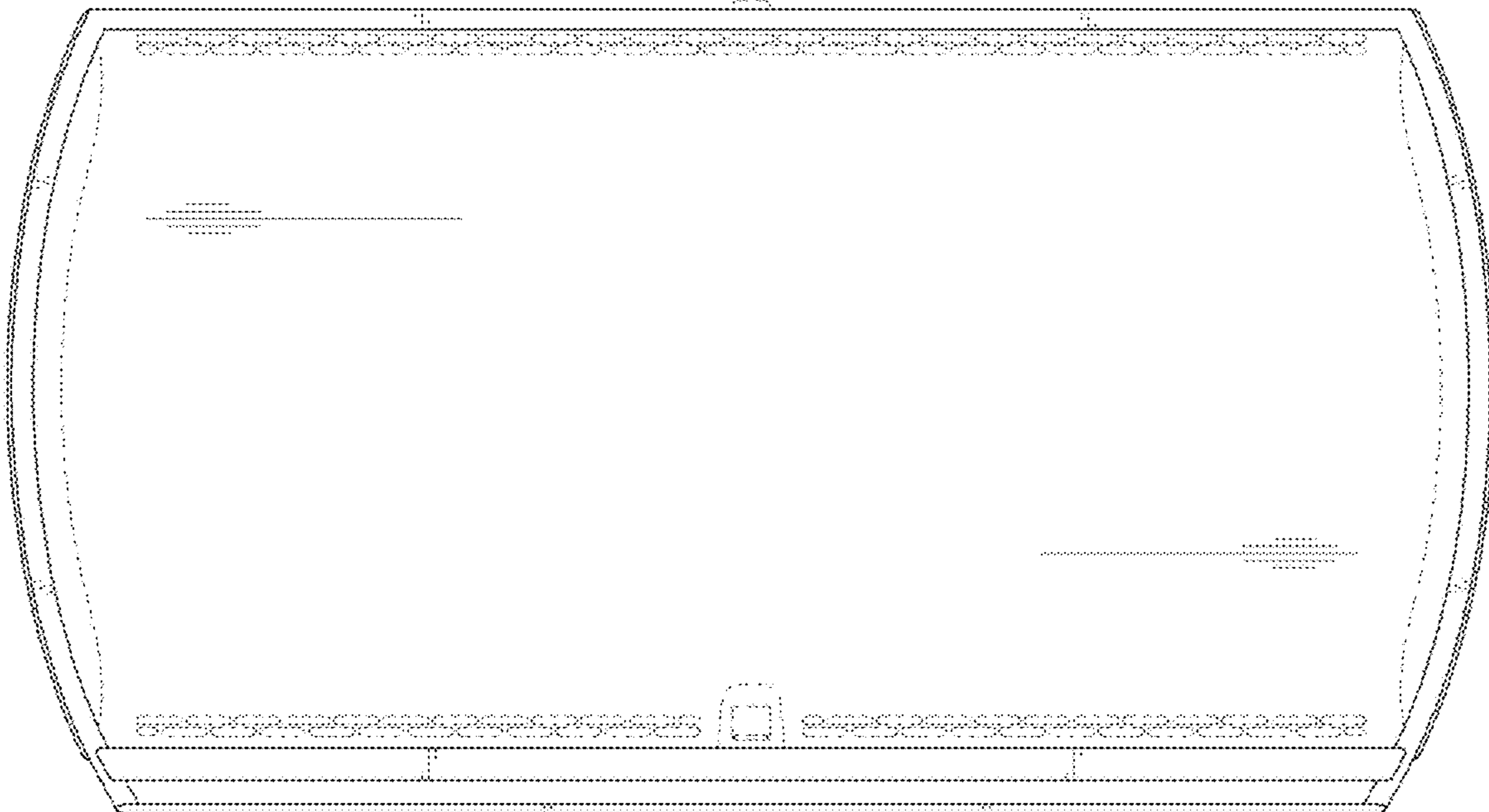
1.1



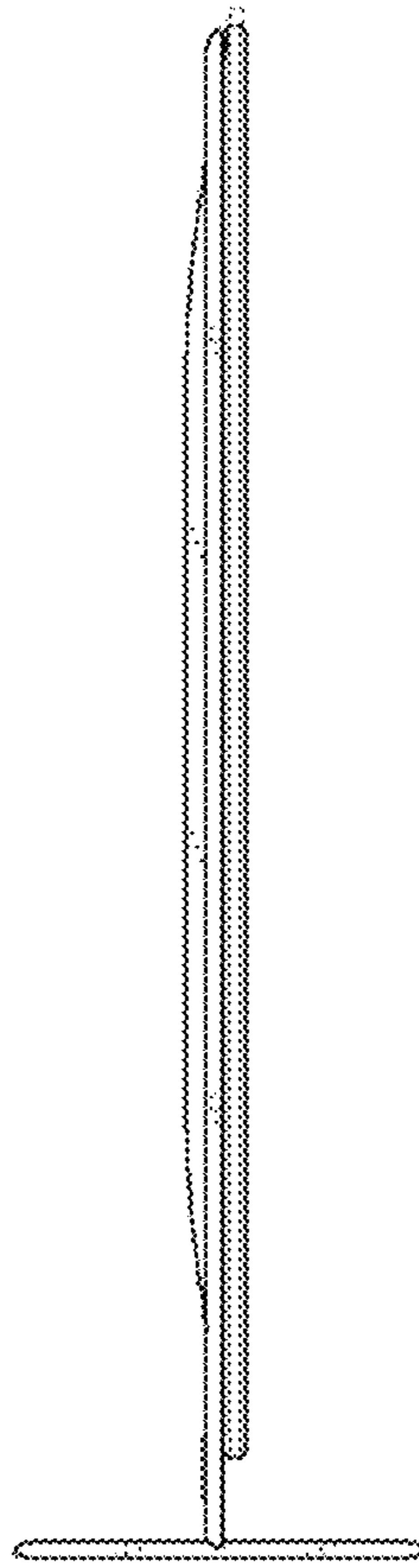
1.2



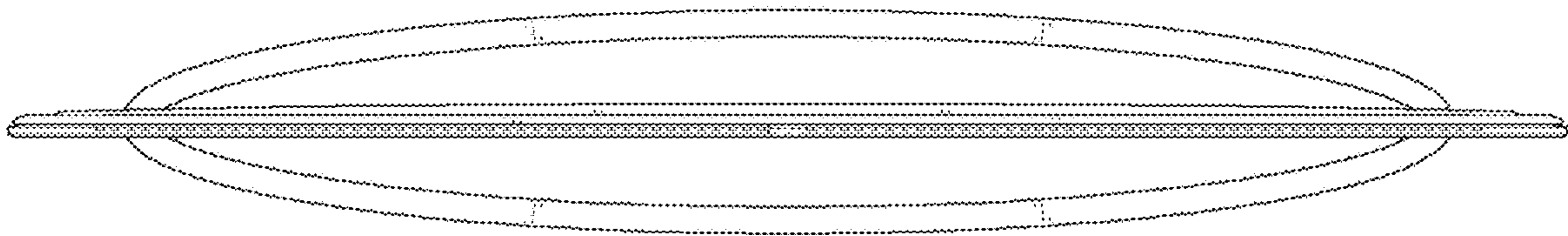
1.3



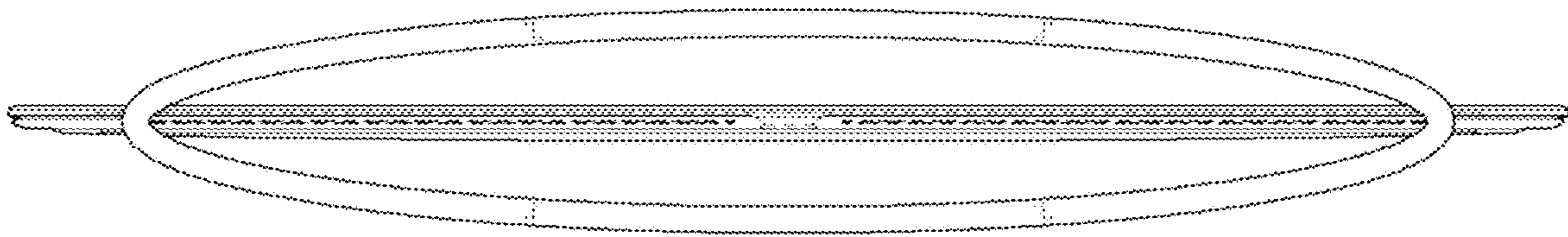
1.4



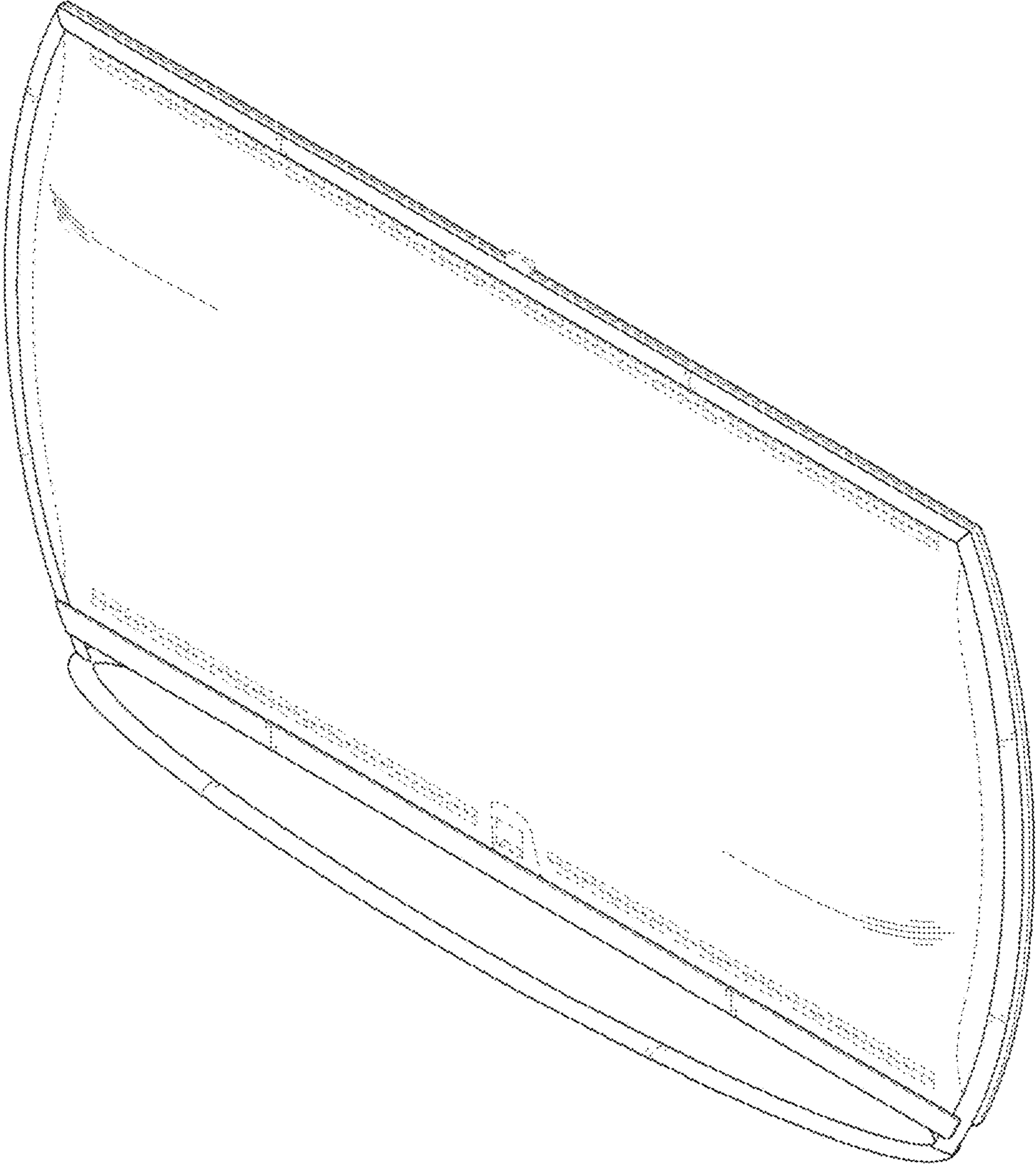
1.5



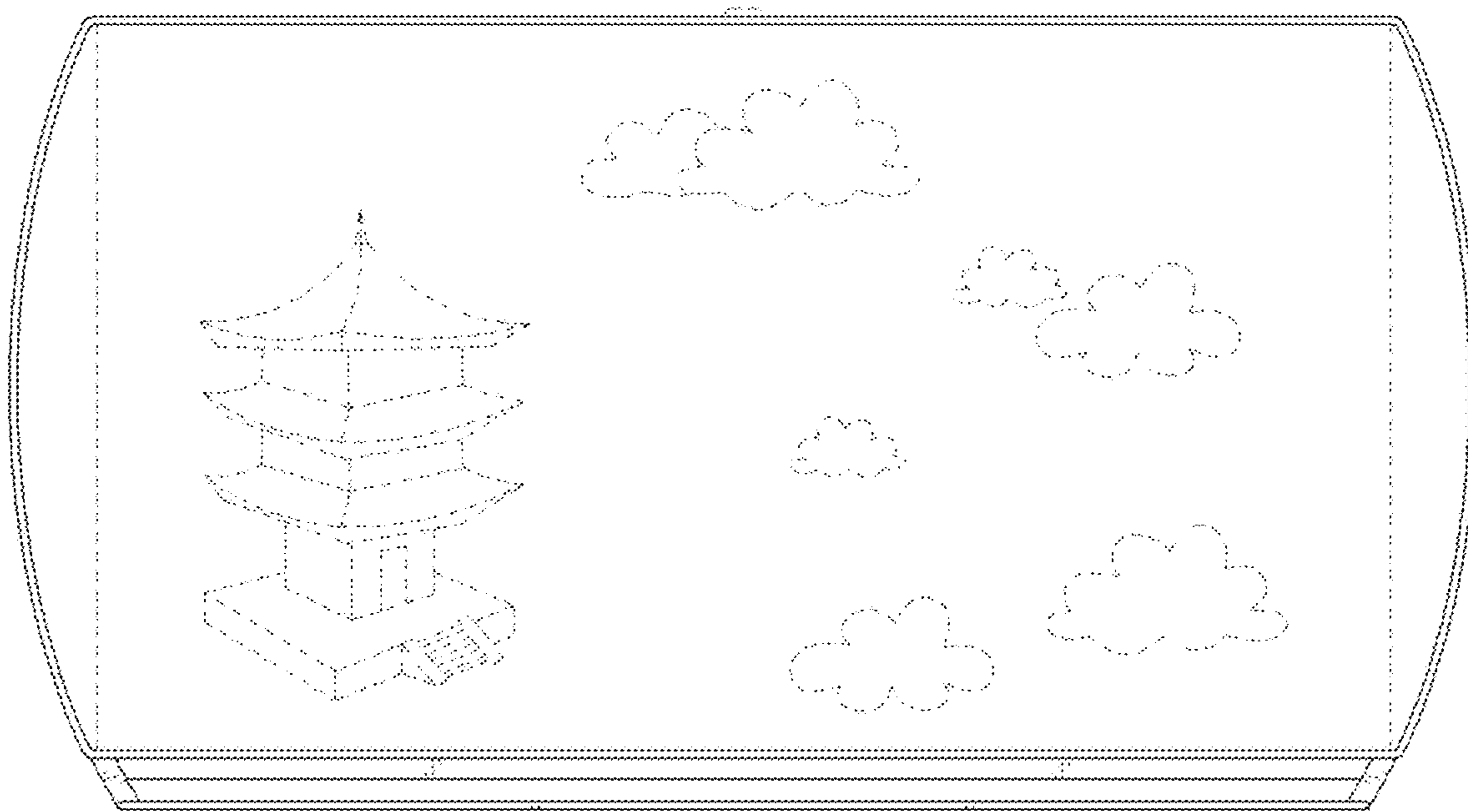
1.6



1.7



1.8



1.9

