



US00D810711S

(12) **United States Design Patent** (10) **Patent No.:** **US D810,711 S**
Kim et al. (45) **Date of Patent:** **** Feb. 20, 2018**

(54) **AUDIO VISUAL BOX FOR TV RECEIVER**

(56) **References Cited**

(71) Applicant: **LG ELECTRONICS INC.**, Seoul (KR)

U.S. PATENT DOCUMENTS

(72) Inventors: **Yooseok Kim**, Seoul (KR); **Jongyoun Shin**, Seoul (KR); **Sunha Park**, Seoul (KR); **Younsoo Kim**, Seoul (KR); **Byungmu Huh**, Seoul (KR)

D284,005 S *	5/1986	Isaacs	D14/251
D432,101 S *	10/2000	Oba	D14/126
D453,022 S *	1/2002	Oba	D14/374
D548,229 S *	8/2007	Tanigawa	D14/239
D573,133 S *	7/2008	Milks	D14/214
D574,376 S *	8/2008	Park	D14/257
D580,918 S *	11/2008	Yokota	D14/239
D636,745 S *	4/2011	Yokota	D14/126
D638,820 S *	5/2011	Hotta	D14/214
D646,242 S *	10/2011	Honda	D14/126
D648,291 S *	11/2011	Ahmed	D14/125
D655,690 S *	3/2012	Yagi	D14/214
D661,672 S *	6/2012	Kim	D14/126
D666,145 S *	8/2012	Kim	D13/108
D672,749 S *	12/2012	Onoue	D14/214
D688,231 S *	8/2013	Nishii	D14/214
D715,769 S *	10/2014	McManigal	D14/214
D718,738 S *	12/2014	Michael	D14/214

(73) Assignee: **LG ELECTRONICS INC.**, Seoul (KR)

(**) Term: **15 Years**

(21) Appl. No.: **35/501,861**

(22) Filed: **May 11, 2016**

(80) **Hague Agreement Data**

Int. Filing Date: **May 11, 2016**
Int. Reg. No.: **DM/091796**
Int. Reg. Date: **May 11, 2016**
Int. Reg. Pub. Date: **Nov. 11, 2016**

(Continued)

Primary Examiner — Eric Goodman

Assistant Examiner — Jennifer L Rempfer

(74) *Attorney, Agent, or Firm* — Birch, Stewart, Kolasch & Birch, LLP

(30) **Foreign Application Priority Data**

Nov. 17, 2015 (KR) 30-2015-0057888

(51) **LOC (11) Cl.** **14-03**

(52) **U.S. Cl.**
USPC **D14/125**

(58) **Field of Classification Search**
USPC D14/125–134, 239, 371, 136, 374–377,
D14/440, 450, 448, 336, 342, 159;
D6/477, 479, 300; D20/10, 19, 39;
D16/203, 241; D10/15, 26; D21/329,
D21/515, 577, 622, 333, 433, 448, 452,
D21/450, 331, 505
CPC G06F 1/1601; G06F 1/1643; G06F 1/1652;
G06F 1/1647; G06F 3/0412; H05K
5/0004; H05K 5/0017; H05K 5/02; H05K
5/0217; H04N 13/0459
See application file for complete search history.

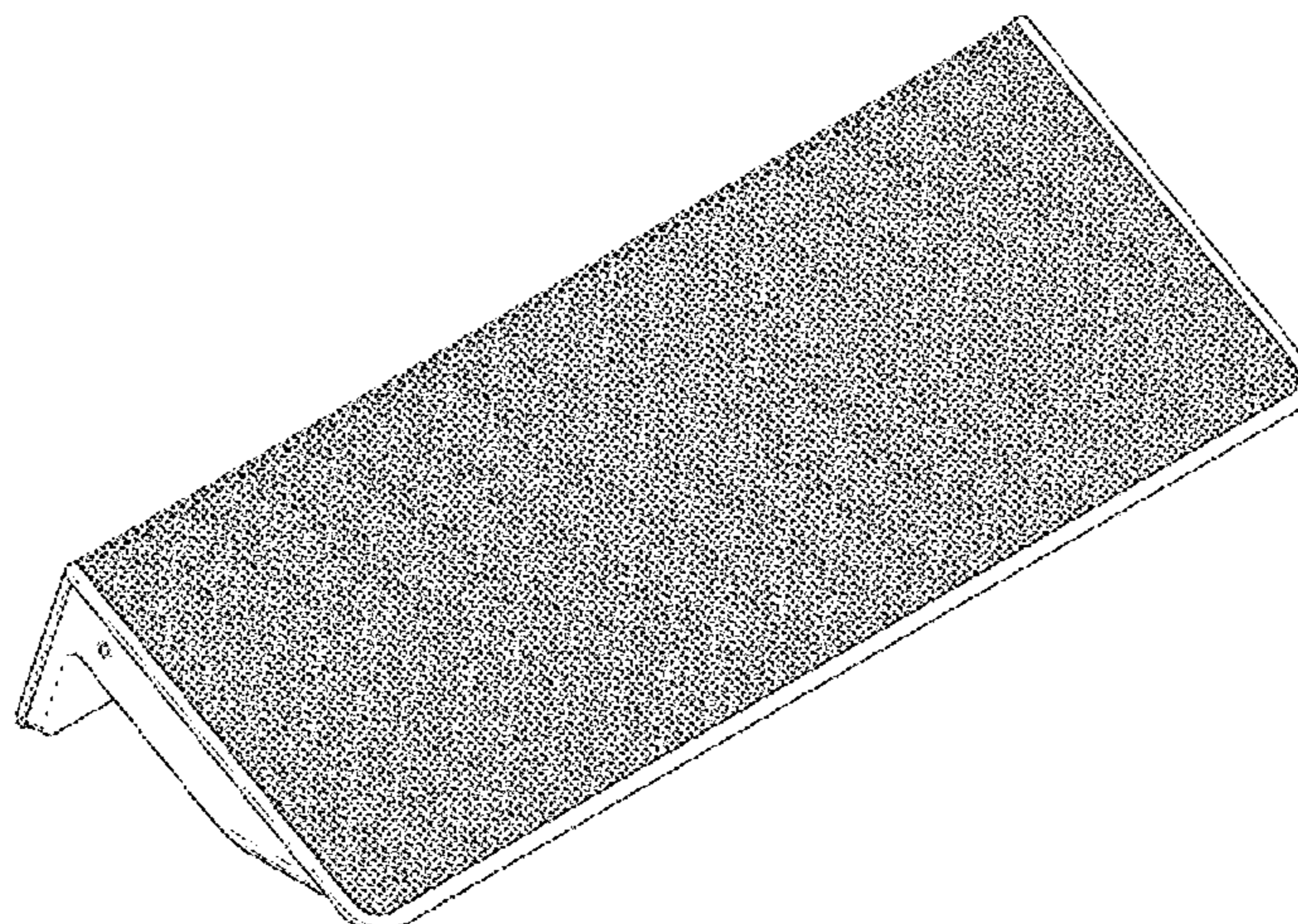
(57) **CLAIM**

The ornamental design for an audio visual box for TV receiver, as shown and described.

DESCRIPTION

1. Audio visual box for TV receiver
- 1.1 : Perspective
- 1.2 : Front
- 1.3 : Back
- 1.4 : Left
- 1.5 : Right
- 1.6 : Top
- 1.7 : Bottom

1 Claim, 7 Drawing Sheets



(56)

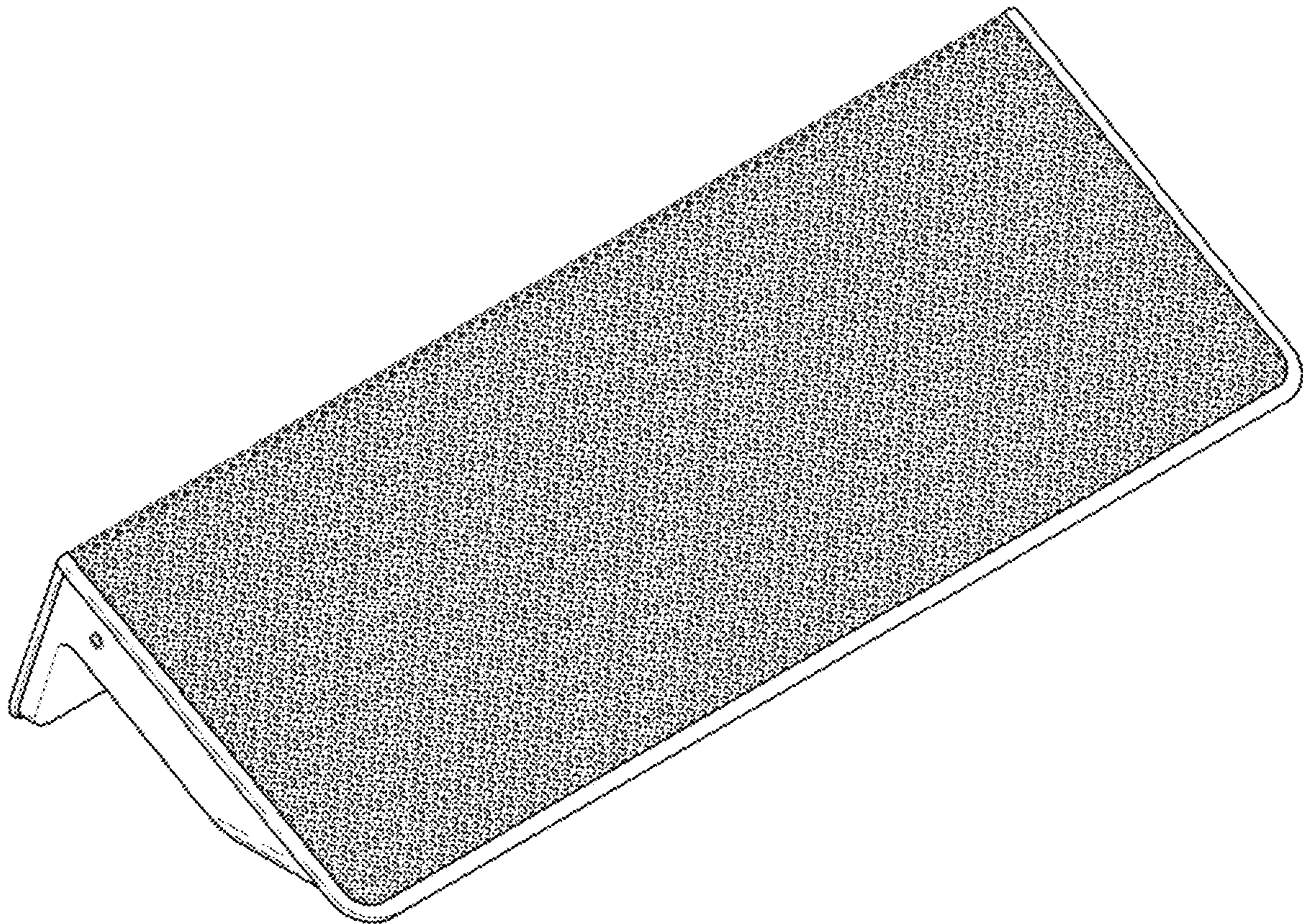
References Cited

U.S. PATENT DOCUMENTS

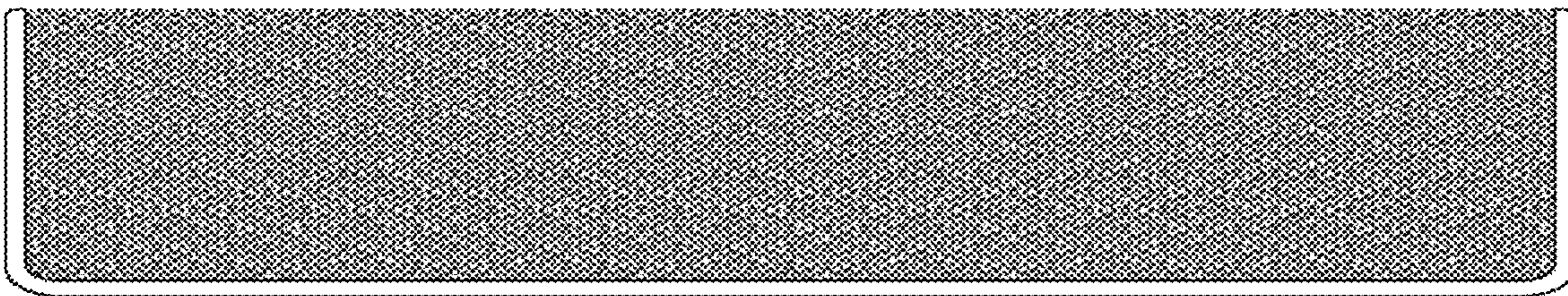
D719,142 S	*	12/2014	Lee	D14/239
D728,537 S	*	5/2015	Choi	D14/239
D739,390 S	*	9/2015	Lee	D14/239
D741,825 S	*	10/2015	James	D14/125
D742,365 S	*	11/2015	Kim	D14/239
D760,685 S	*	7/2016	Sugiura	D14/204
D762,598 S	*	8/2016	Ishii	D14/125
D763,238 S	*	8/2016	Kim	D14/126
D768,603 S	*	10/2016	Kim	D14/214

* cited by examiner

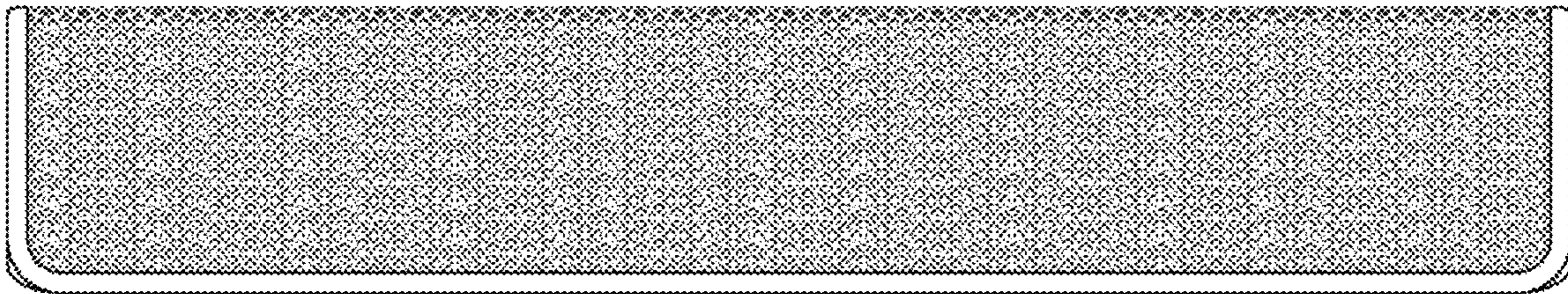
1.1



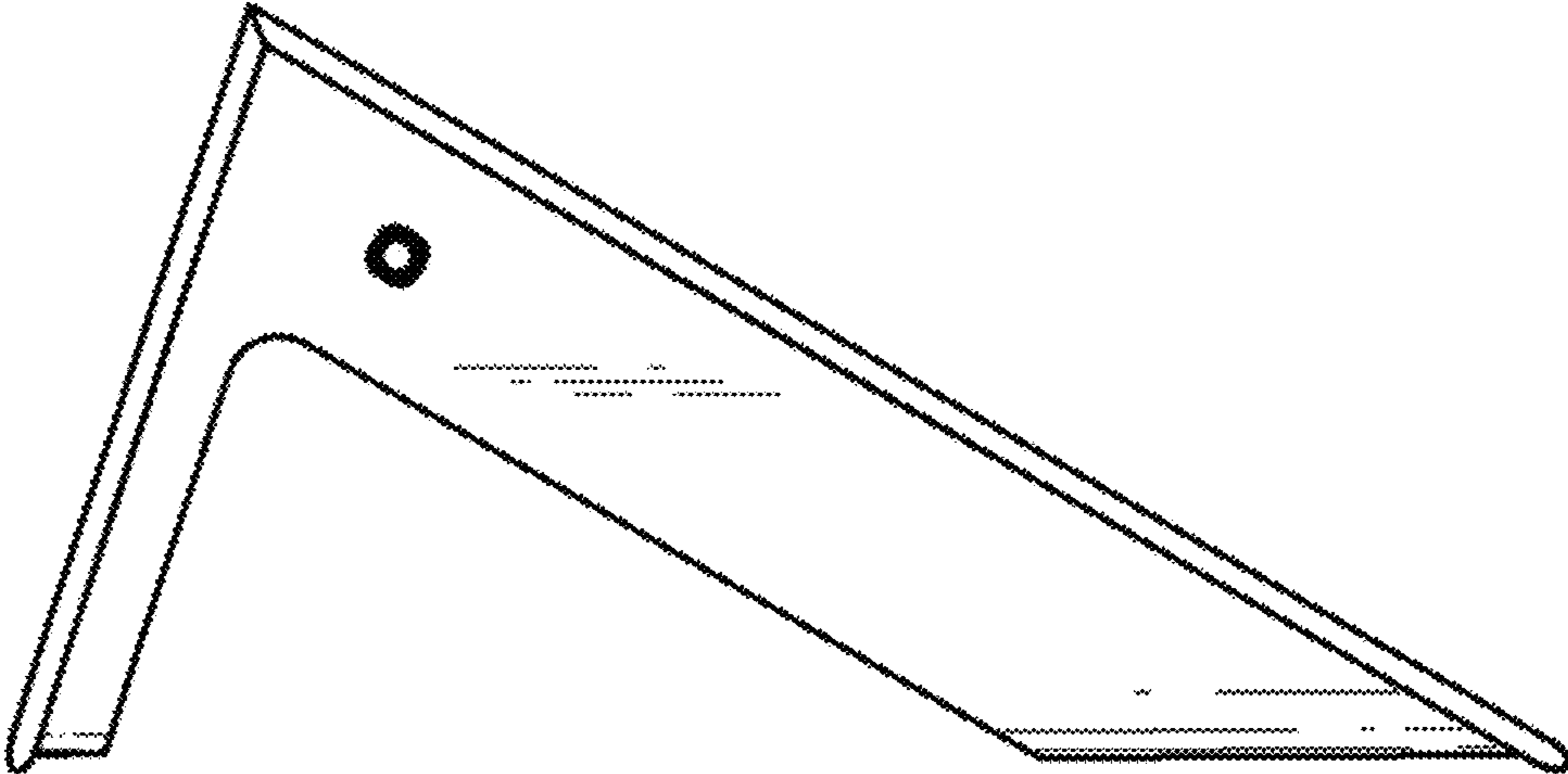
1.2



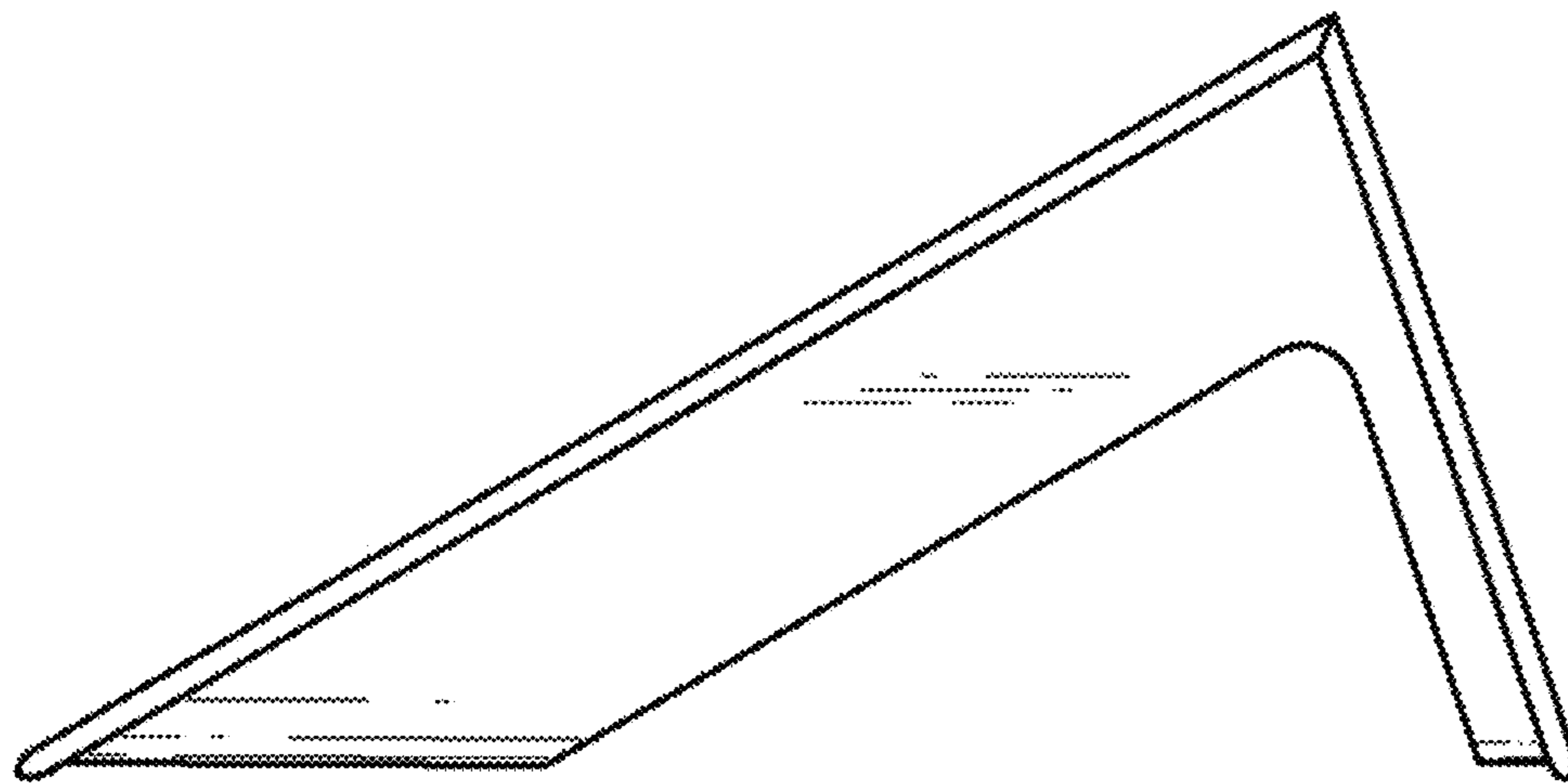
1.3



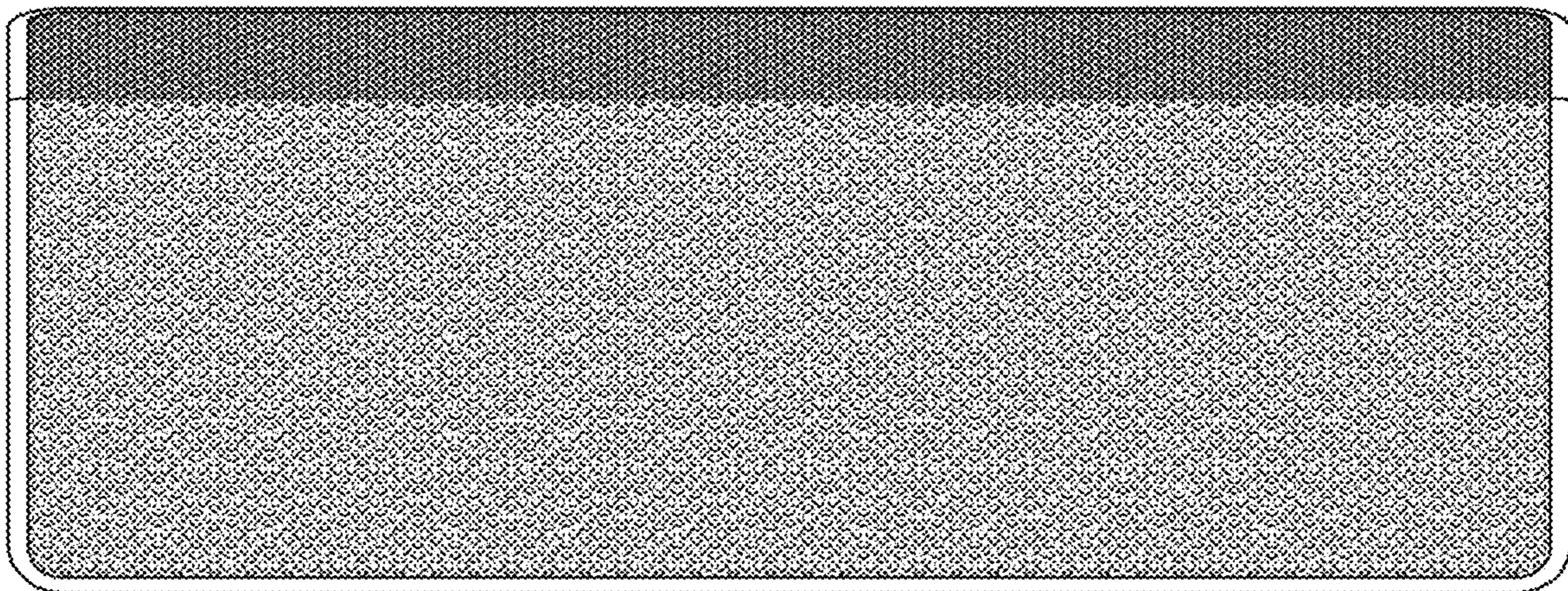
1.4



1.5



1.6



1.7

