



US00D810709S

(12) **United States Design Patent** (10) **Patent No.:** **US D810,709 S**  
**Jou et al.** (45) **Date of Patent:** **\*\* Feb. 20, 2018**

(54) **HUB**  
(71) Applicant: **Comcast Cable Communications, LLC**, Philadelphia, PA (US)  
(72) Inventors: **Michael Jou**, Philadelphia, PA (US); **Neil Epstein**, Havertown, PA (US); **Fraser Stirling**, Bryn Mawr, PA (US); **Thomas Loretan**, Philadelphia, PA (US)  
(73) Assignee: **Comcast Cable Communications, LLC**, Philadelphia, PA (US)  
(\*\*) Term: **15 Years**  
(21) Appl. No.: **29/566,284**  
(22) Filed: **May 27, 2016**  
(51) **LOC (11) Cl.** ..... **14-03**  
(52) **U.S. Cl.**  
USPC ..... **D14/125**  
(58) **Field of Classification Search**  
USPC ..... D14/125-134, 239, 371, 136, 374-377, D14/440, 450, 448, 336, 342, 159; 312/7.2; 348/836, 838, 180, 184, 325, 348/739; 248/917-924, 465; 345/104, 345/133, 156, 168, 87, 173; D21/329, D21/515, 577, 622, 333, 433, 448, 452, D21/450, 331, 505; D10/15, 26; 446/484, 175, 356; D6/477, 479, 300; D24/185; D34/14  
CPC ... G06F 1/1601; G06F 1/1643; H05K 5/0004; H05K 5/0017; H05K 5/02; H05K 5/0217  
See application file for complete search history.

D685,655 S \* 7/2013 Hsu ..... D10/15  
D690,679 S \* 10/2013 Chang ..... D14/204  
D692,856 S \* 11/2013 Holzer ..... D14/209.1  
D694,653 S \* 12/2013 Hsu ..... D10/15  
D704,076 S \* 5/2014 Poandl ..... D10/15  
D722,032 S \* 2/2015 Chou ..... D14/125  
D734,738 S \* 7/2015 Jackson ..... D14/214

(Continued)

*Primary Examiner* — Randall Gholson  
(74) *Attorney, Agent, or Firm* — Baker & Hostetler LLP

(57) **CLAIM**

The ornamental design for a hub, as shown and described.

**DESCRIPTION**

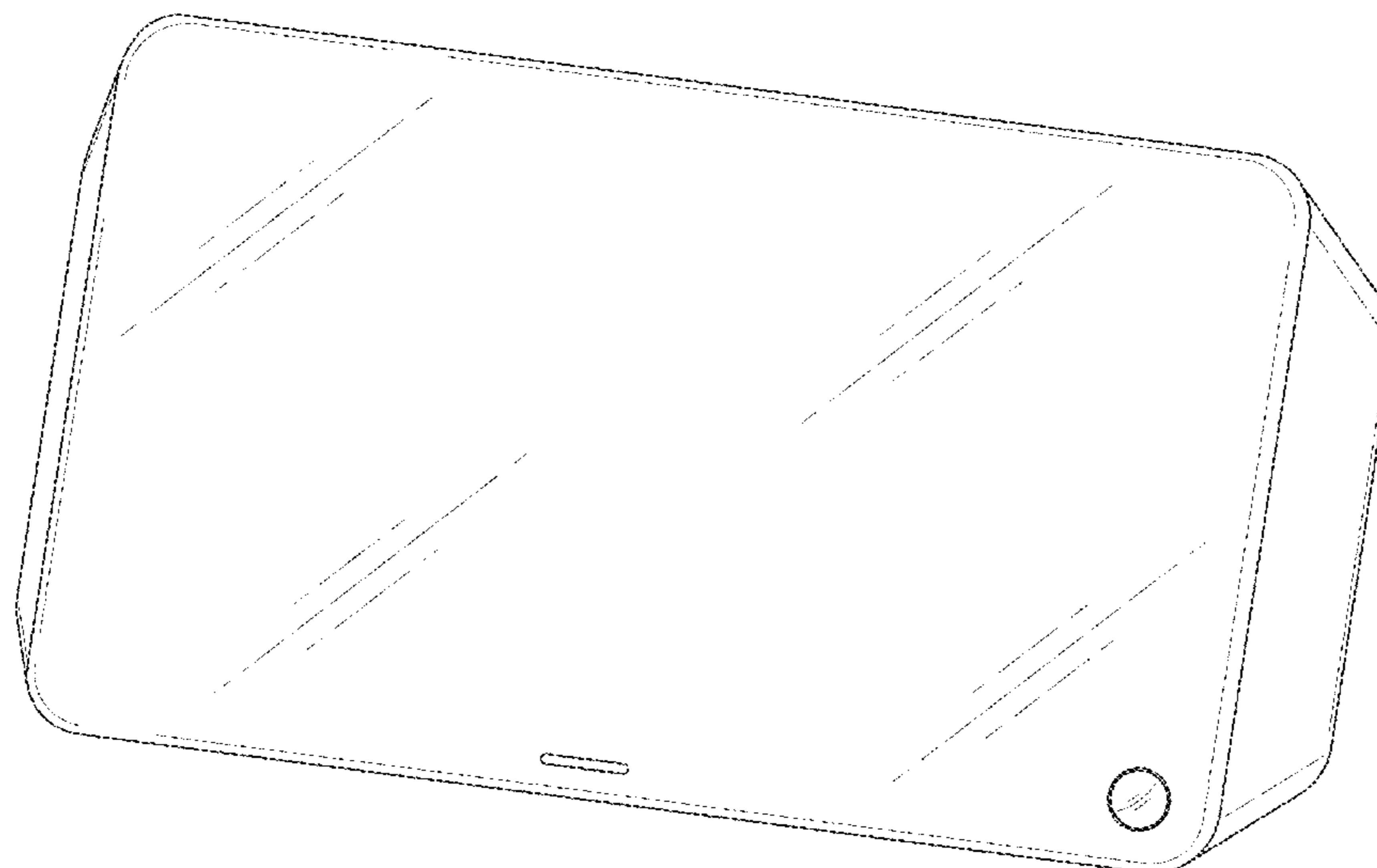
FIG. 1 is a perspective view of a hub according to an aspect of the present disclosure;  
FIG. 2 is a front view of the hub of FIG. 1;  
FIG. 3 is a rear view of the hub of FIG. 1;  
FIG. 4 is a top view of the hub of FIG. 1;  
FIG. 5 is a bottom view of the hub of FIG. 1;  
FIG. 6 is a left side view of the hub of FIG. 1; and  
FIG. 7 is a right side view of the hub of FIG. 1.  
FIG. 8 is a perspective view of a hub according to another aspect of the present disclosure;  
FIG. 9 is a front view of the hub of FIG. 8;  
FIG. 10 is a rear view of the hub of FIG. 8;  
FIG. 11 is a top view of the hub of FIG. 8;  
FIG. 12 is a bottom view of the hub of FIG. 8;  
FIG. 13 is a left side view of the hub of FIG. 8; and,  
FIG. 14 is a right side view of the hub of FIG. 8;  
FIG. 15 is a perspective view of the hub of FIG. 1 without a bracket;  
FIG. 16 is a front view of the hub of FIG. 15;  
FIG. 17 is a rear view of the hub of FIG. 15;  
FIG. 18 is a top view of the hub of FIG. 15;  
FIG. 19 is a bottom view of the hub of FIG. 15;  
FIG. 20 is a left side view of the hub of FIG. 15; and,  
FIG. 21 is a right side view of the hub of FIG. 15.

**1 Claim, 12 Drawing Sheets**

(56) **References Cited**

**U.S. PATENT DOCUMENTS**

D598,006 S \* 8/2009 Tse ..... D14/209.1  
D671,544 S \* 11/2012 Chun ..... D14/447



(56)

**References Cited**

U.S. PATENT DOCUMENTS

D739,376 S \* 9/2015 Asao ..... D14/204  
D751,925 S \* 3/2016 Poandl ..... D10/15

\* cited by examiner

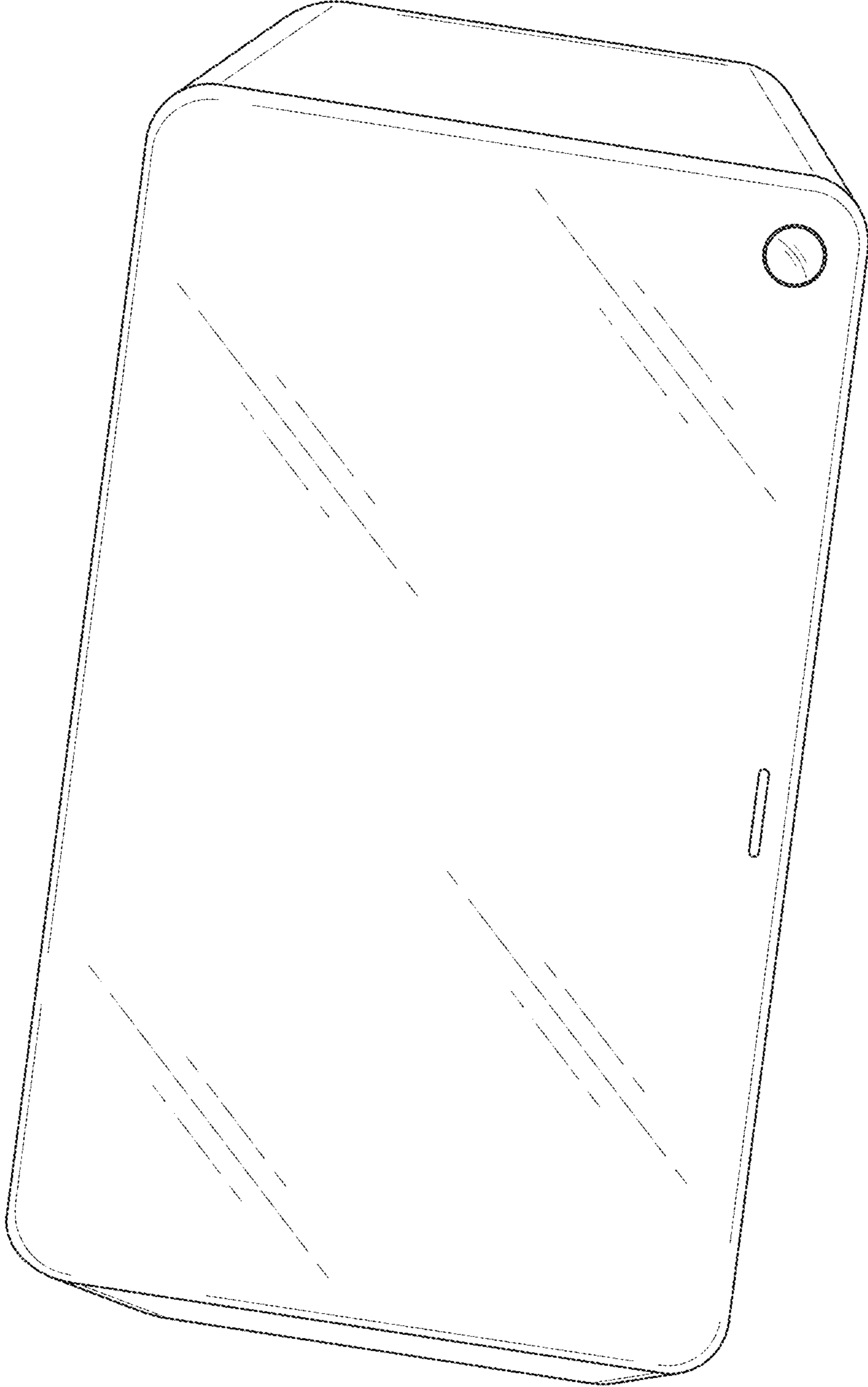


FIG. 1

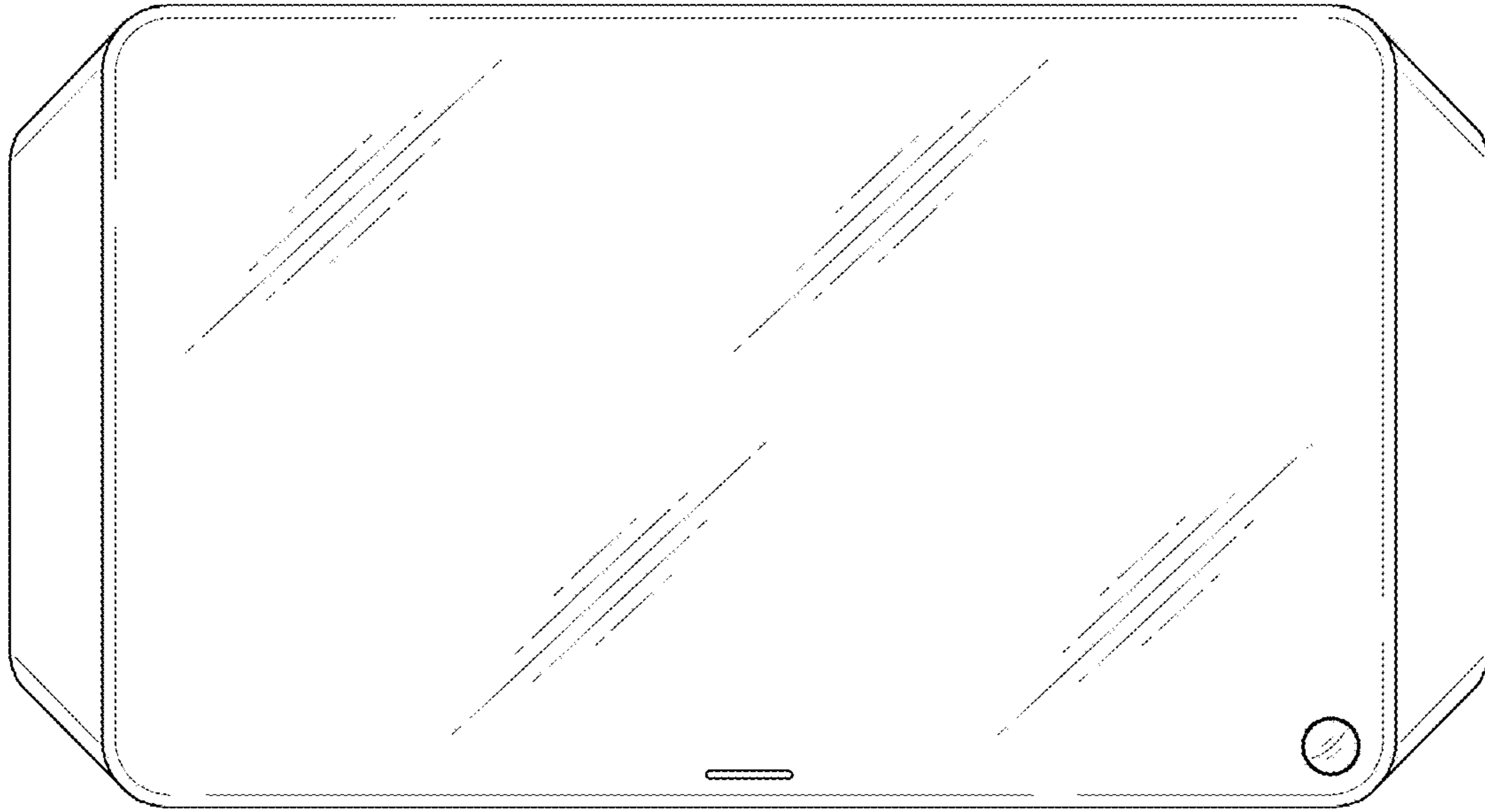


FIG. 2

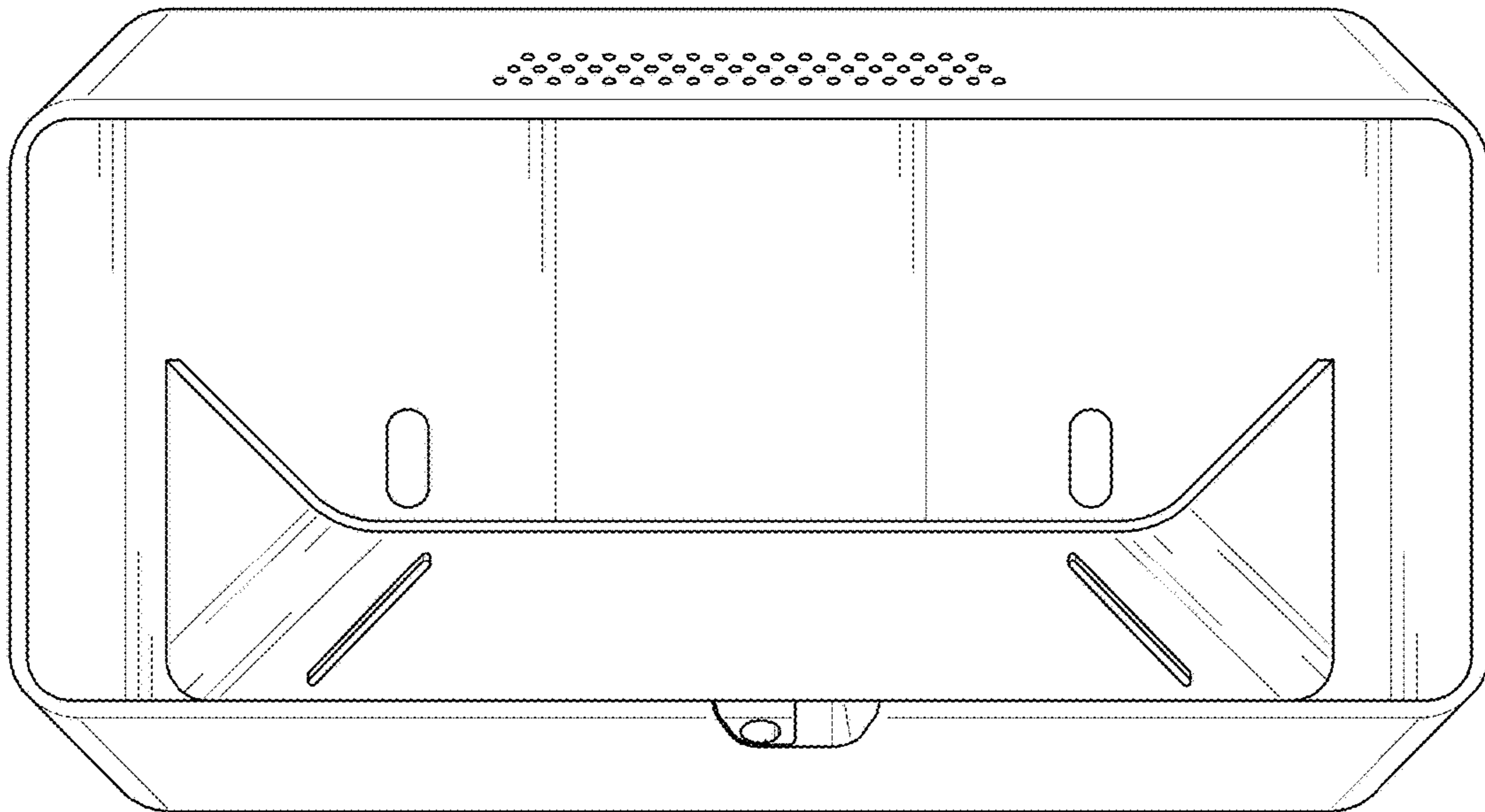


FIG. 3

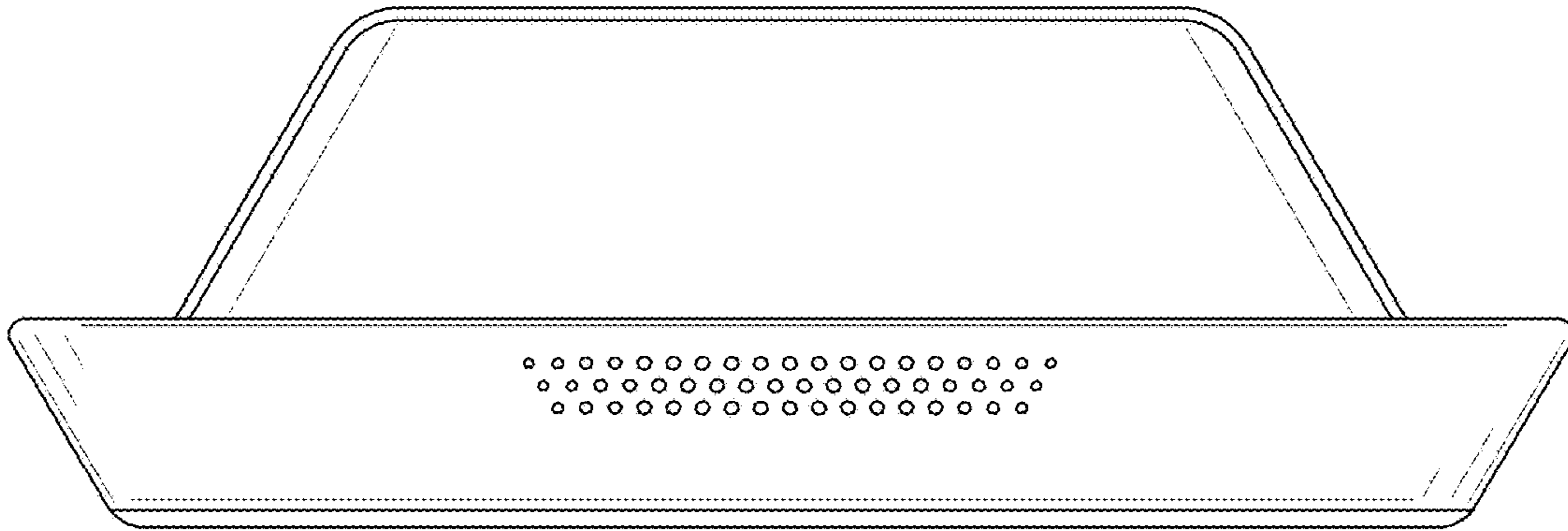


FIG. 4

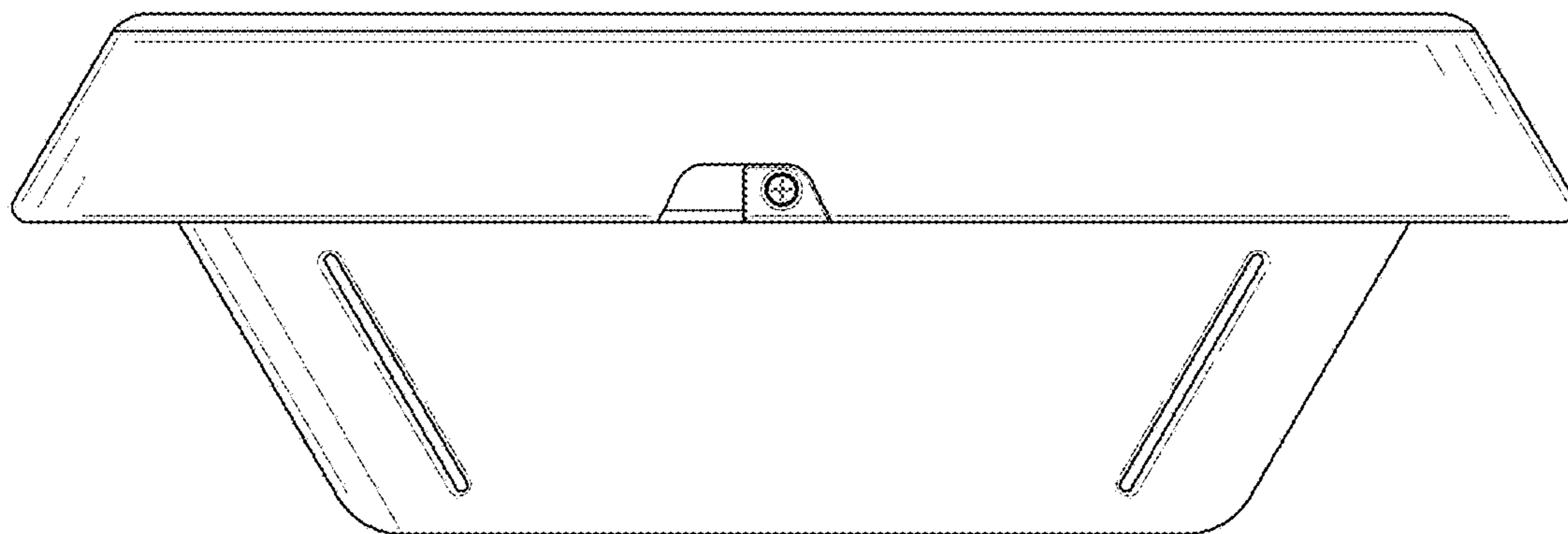


FIG. 5

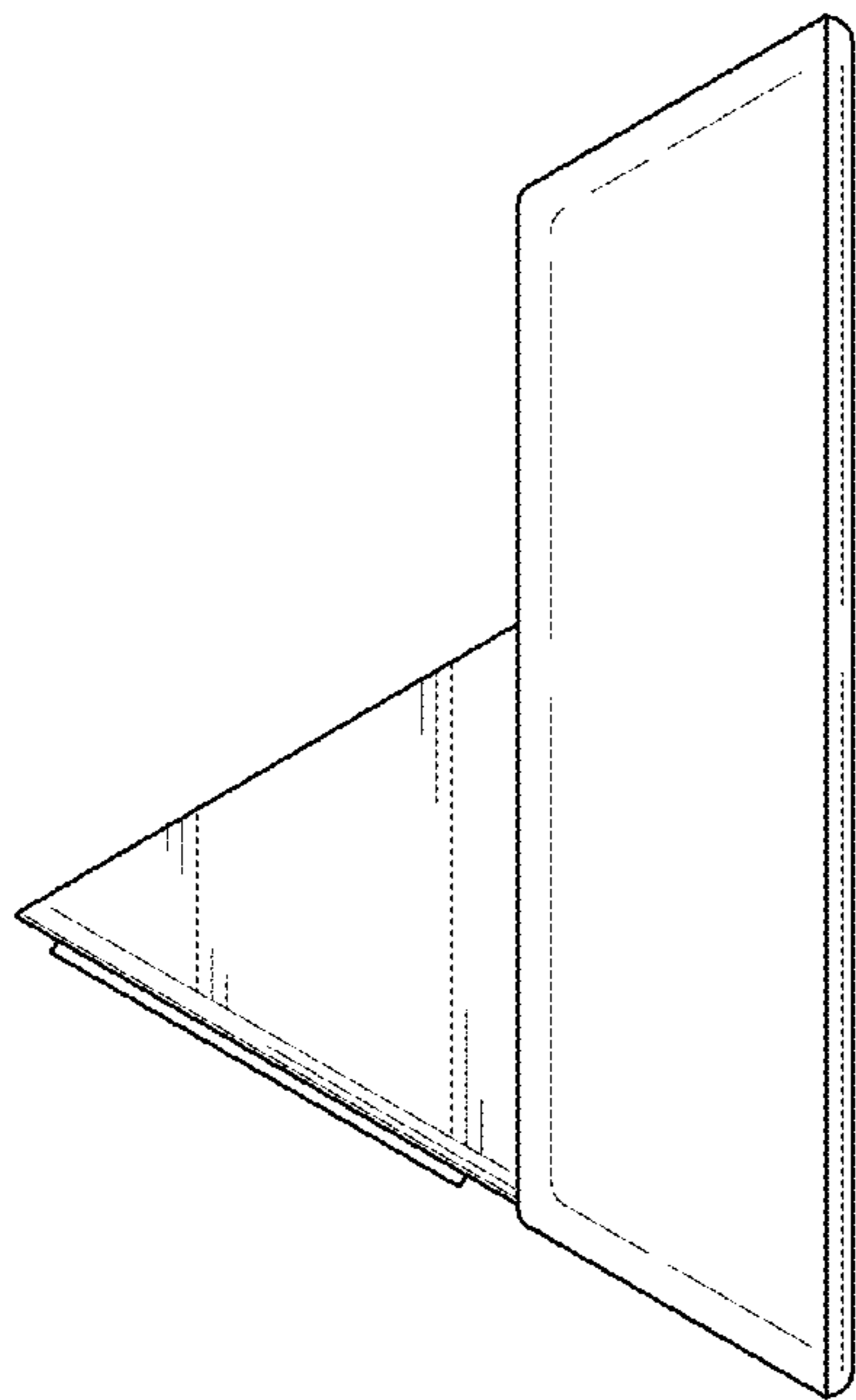


FIG. 6

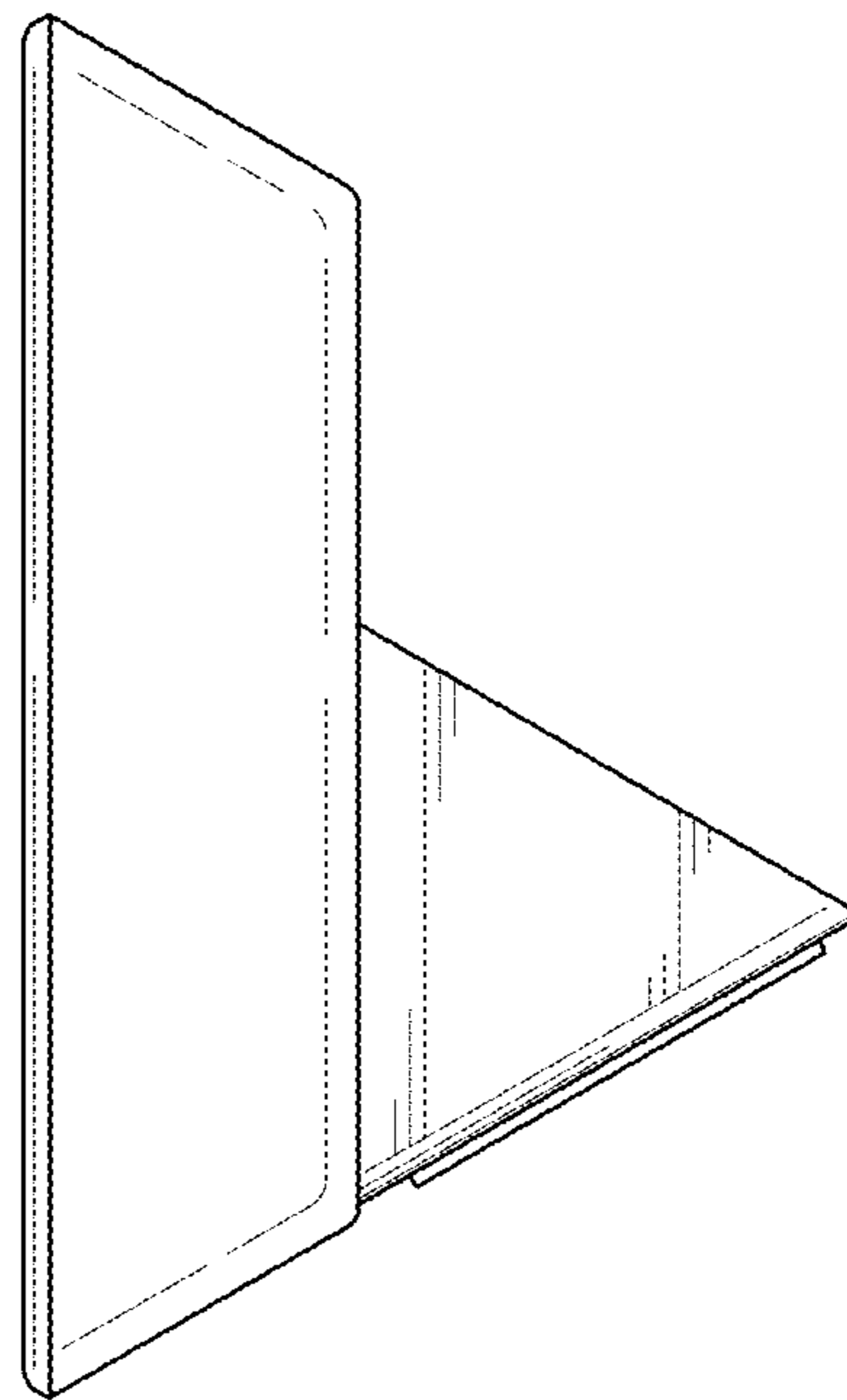


FIG. 7

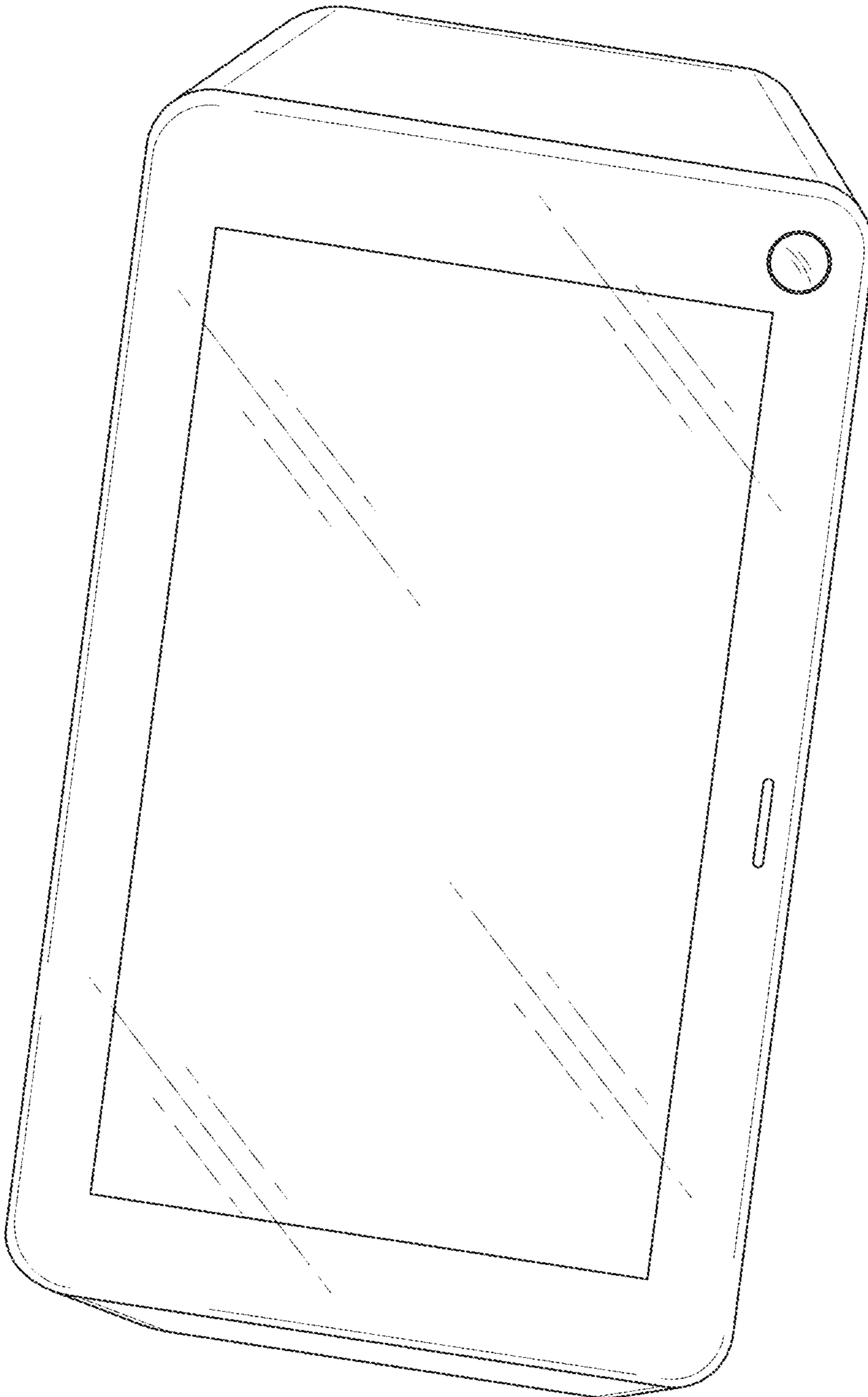


FIG. 8

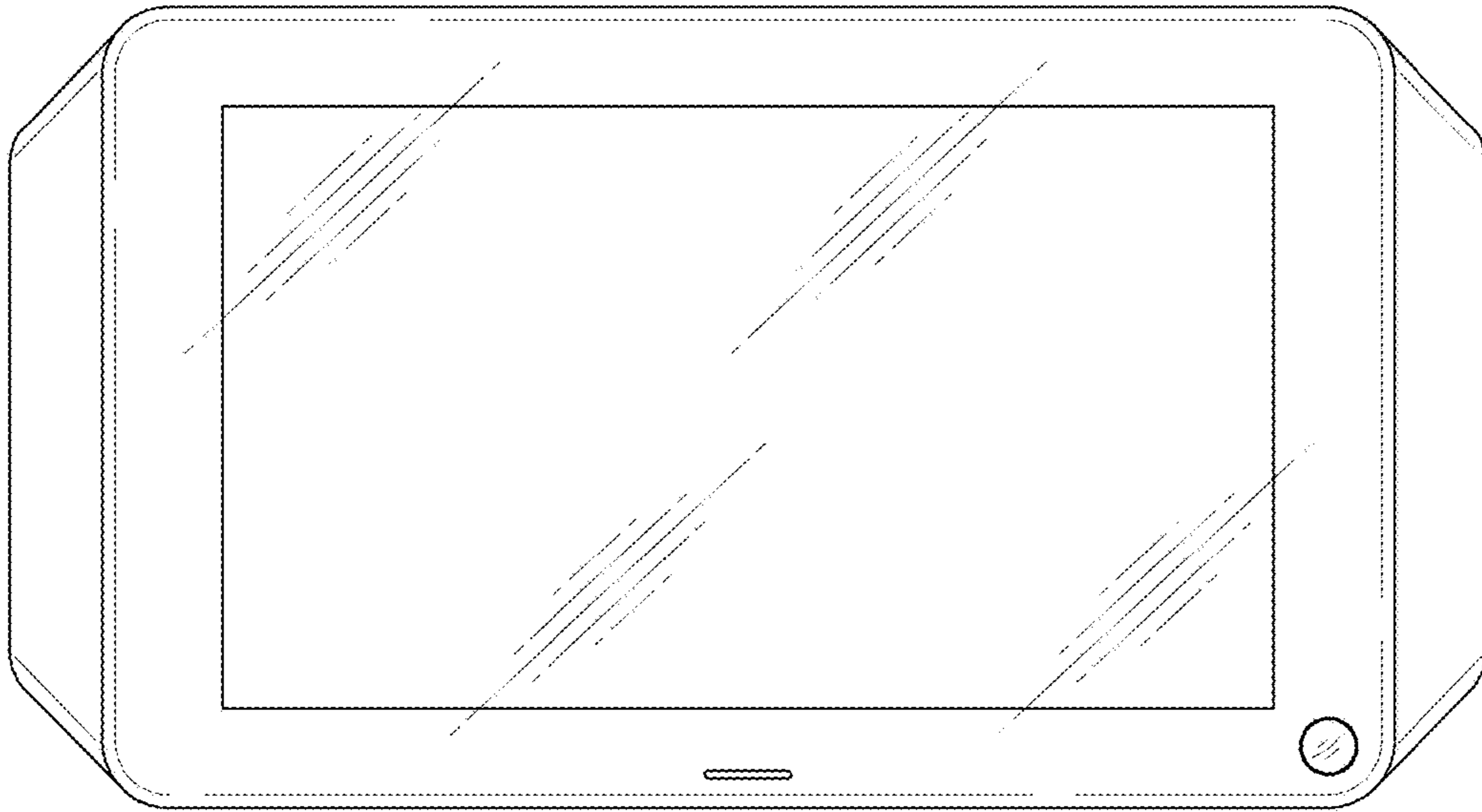


FIG. 9

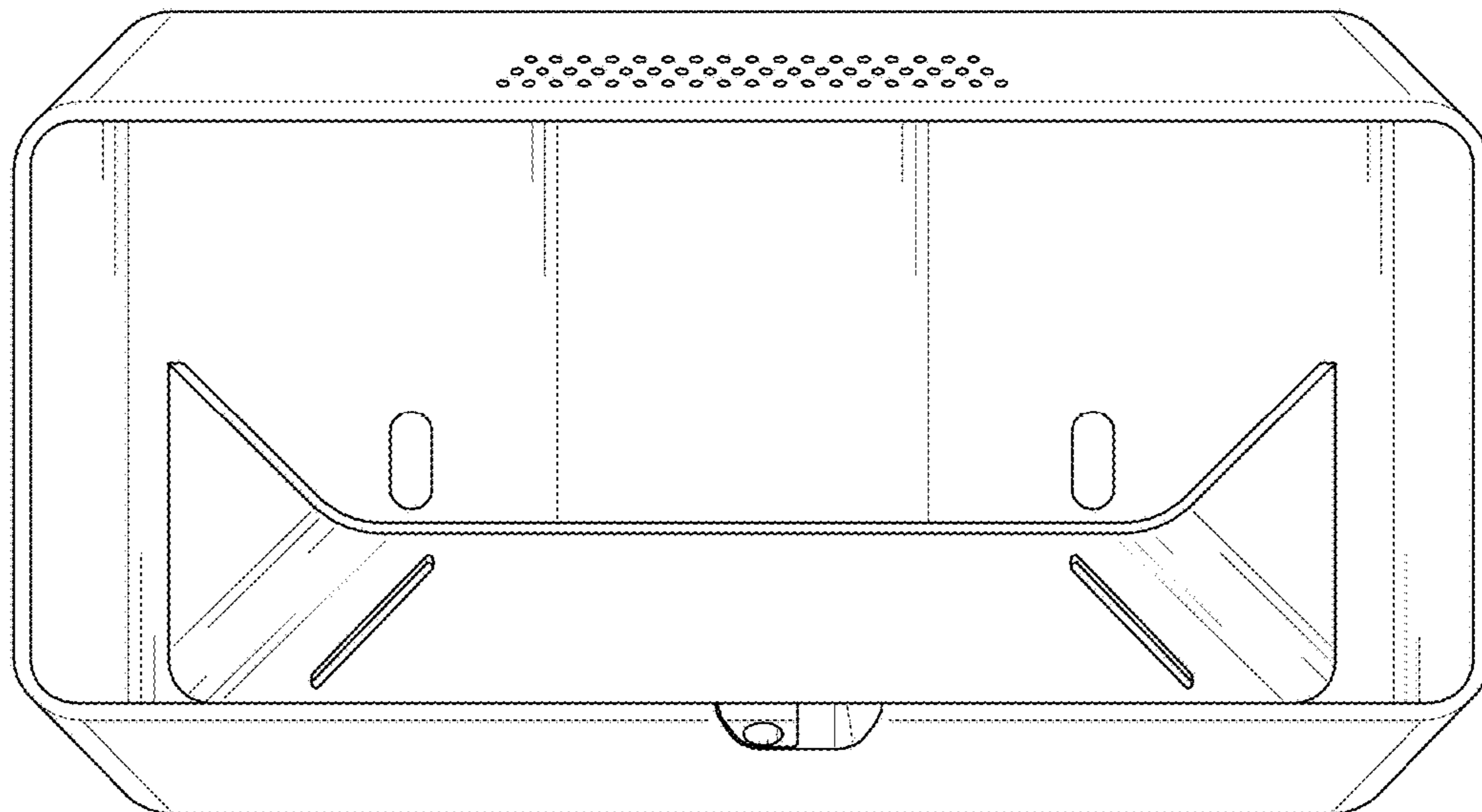


FIG. 10



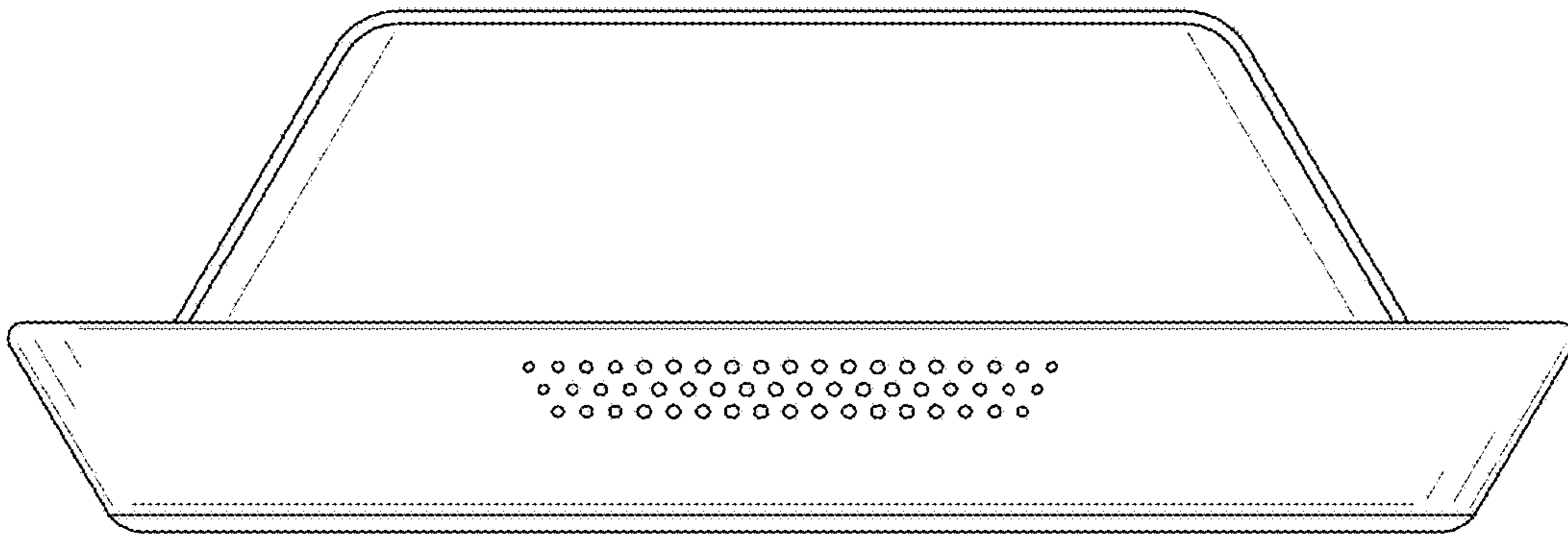


FIG. 11

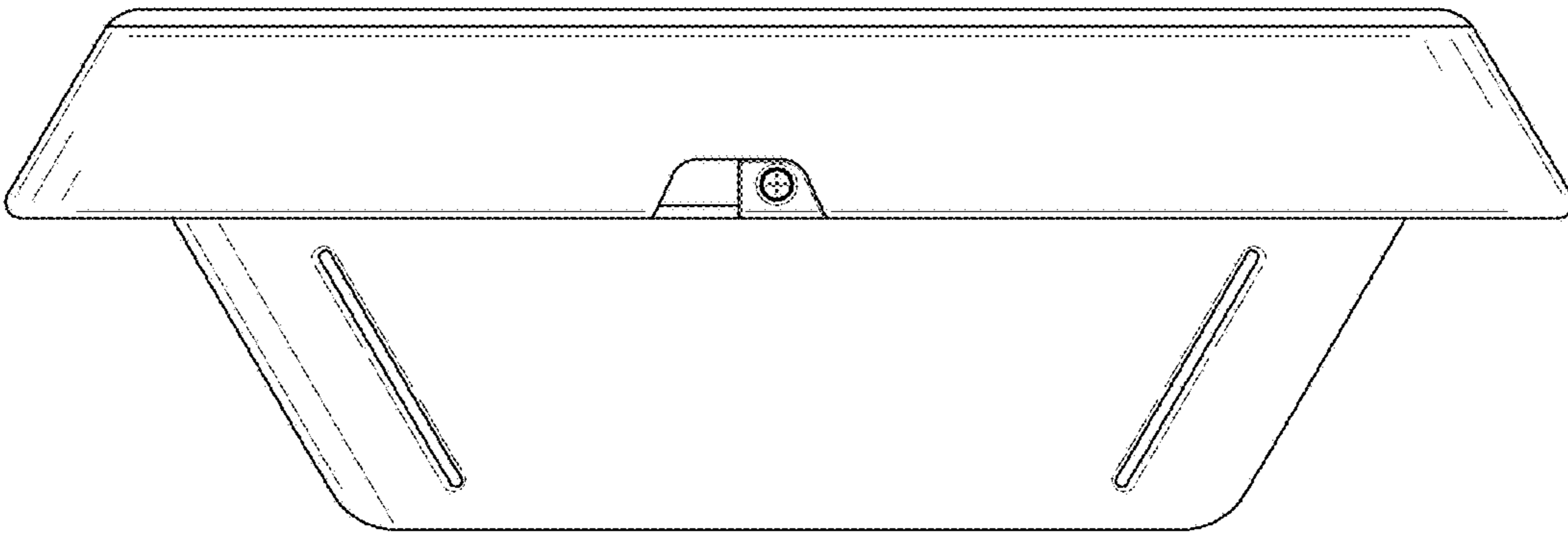


FIG. 12

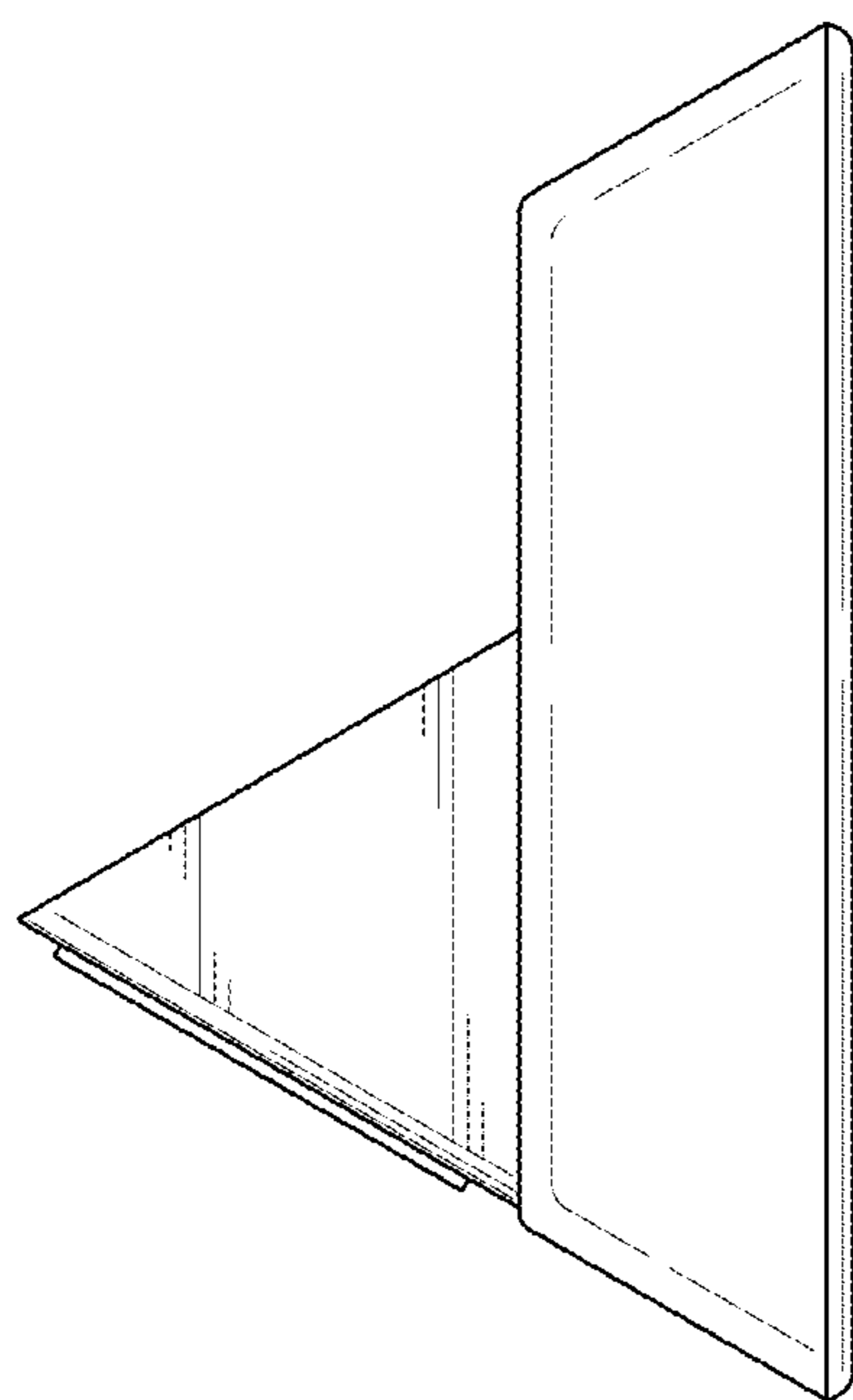


FIG. 13

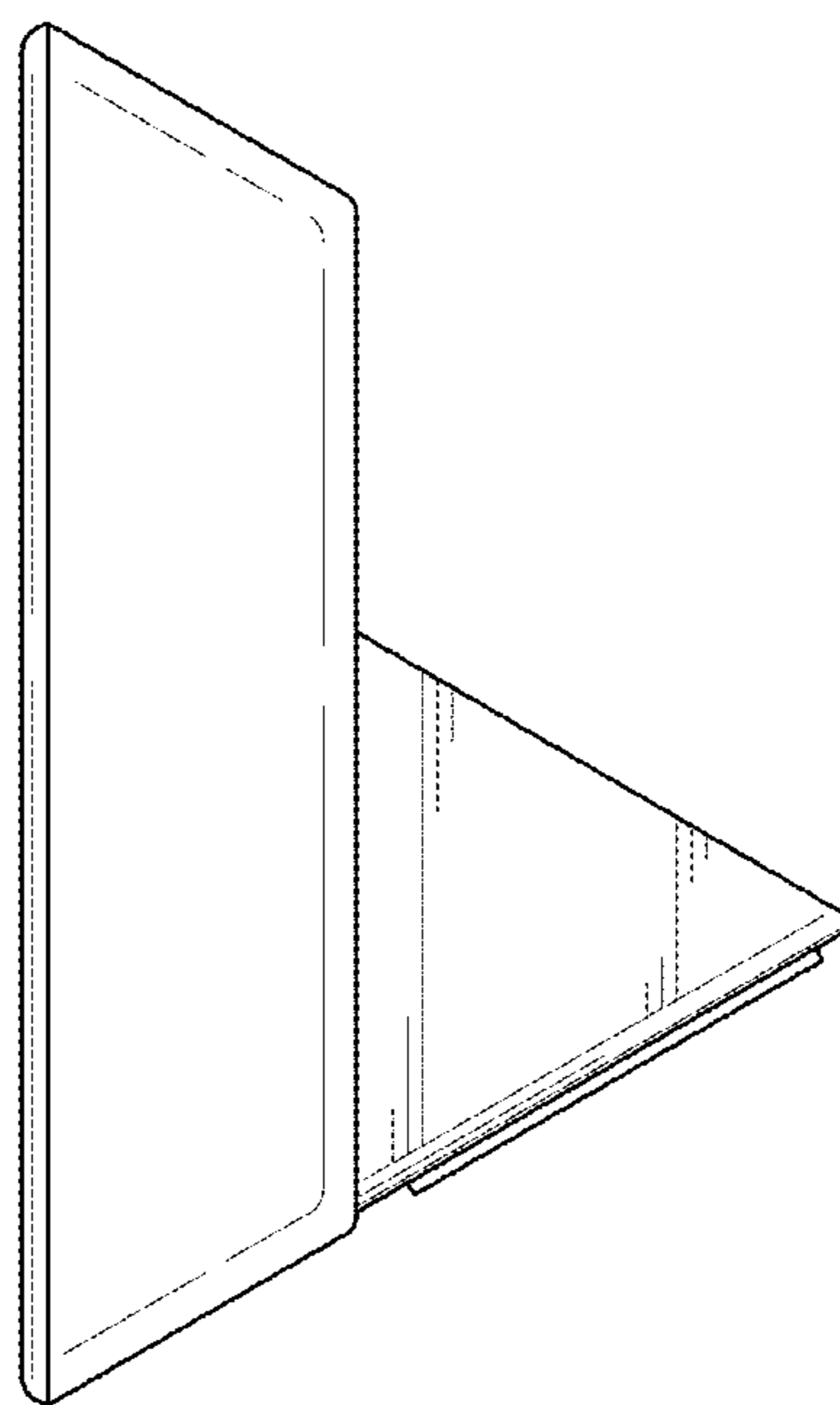


FIG. 14

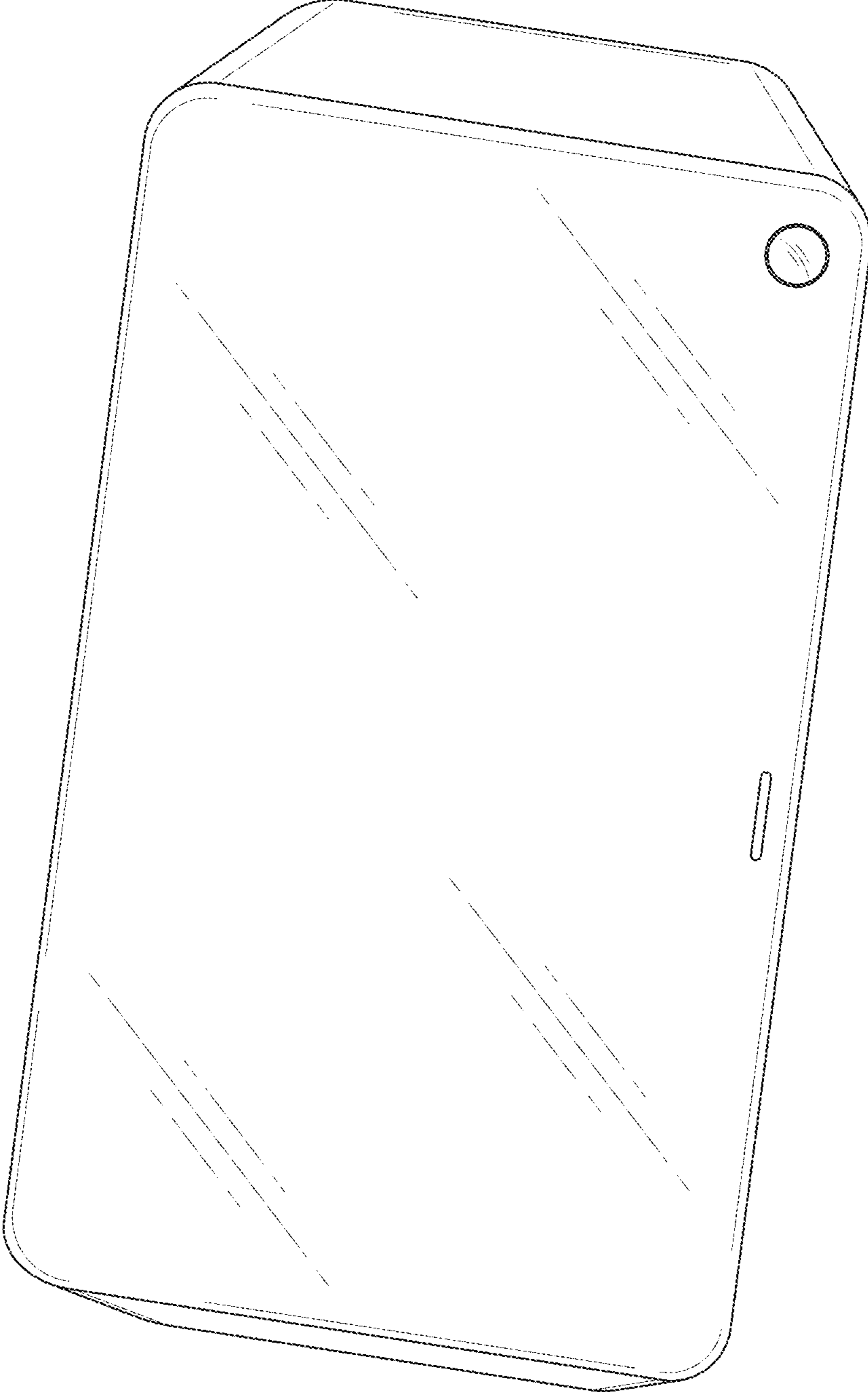


FIG. 15

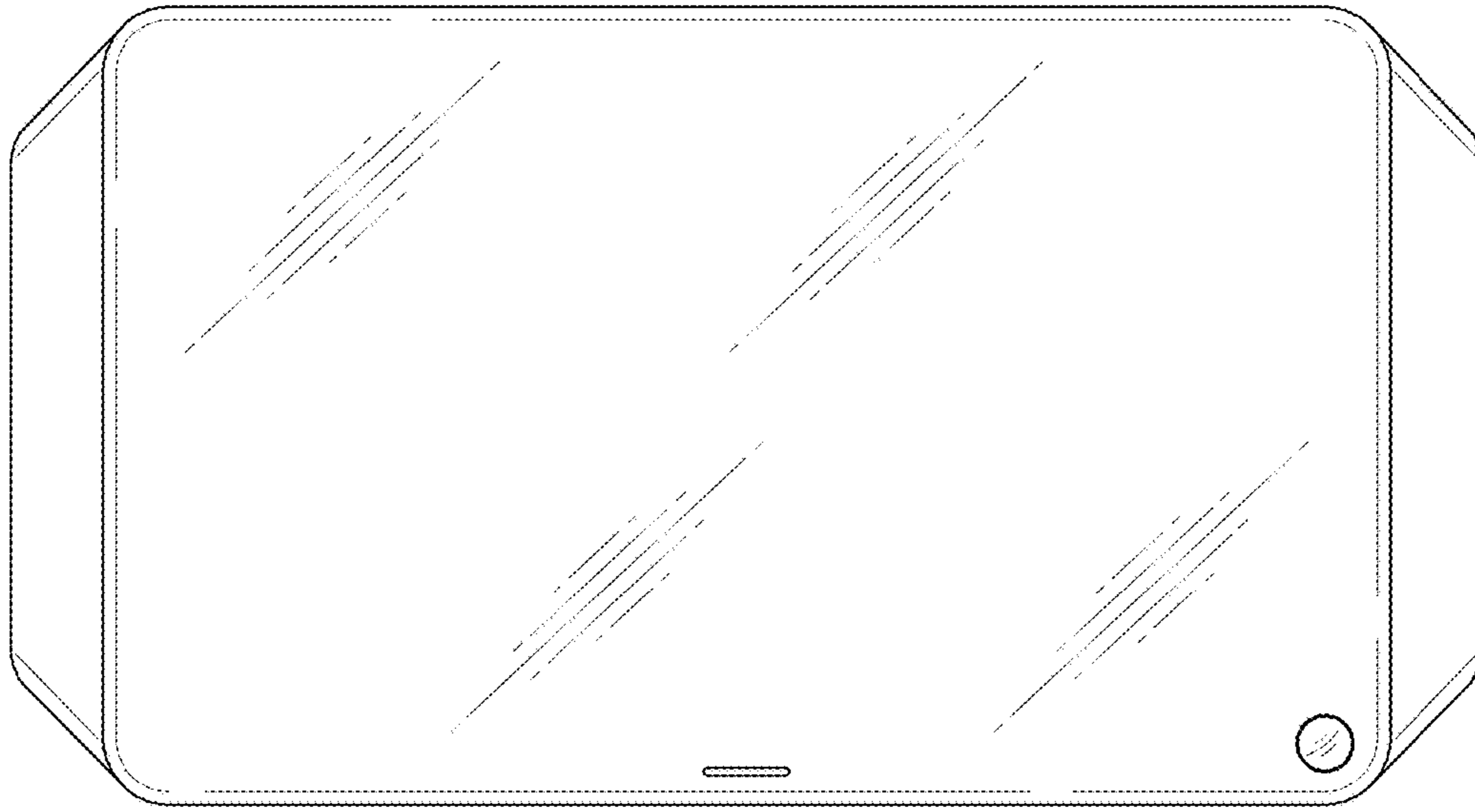


FIG. 16

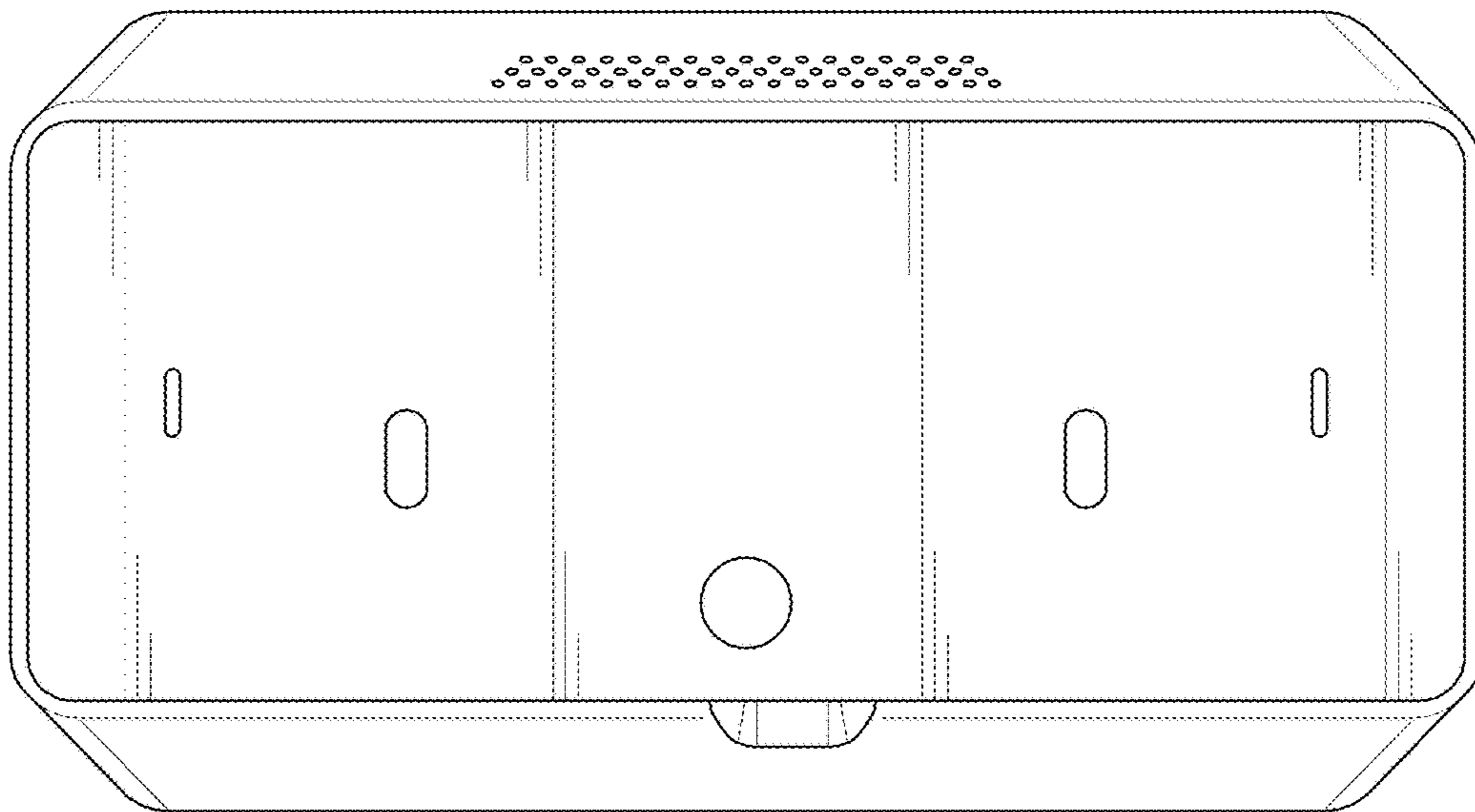


FIG. 17

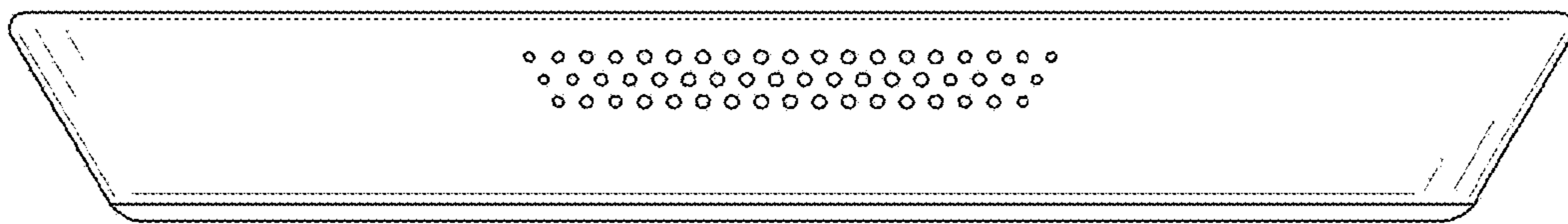


FIG. 18

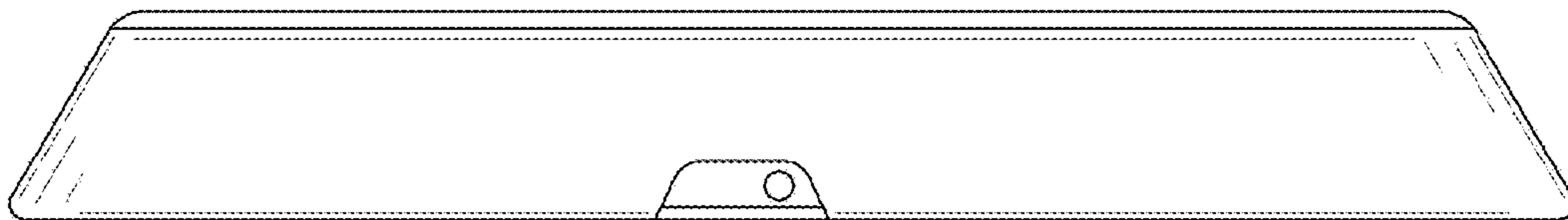


FIG. 19

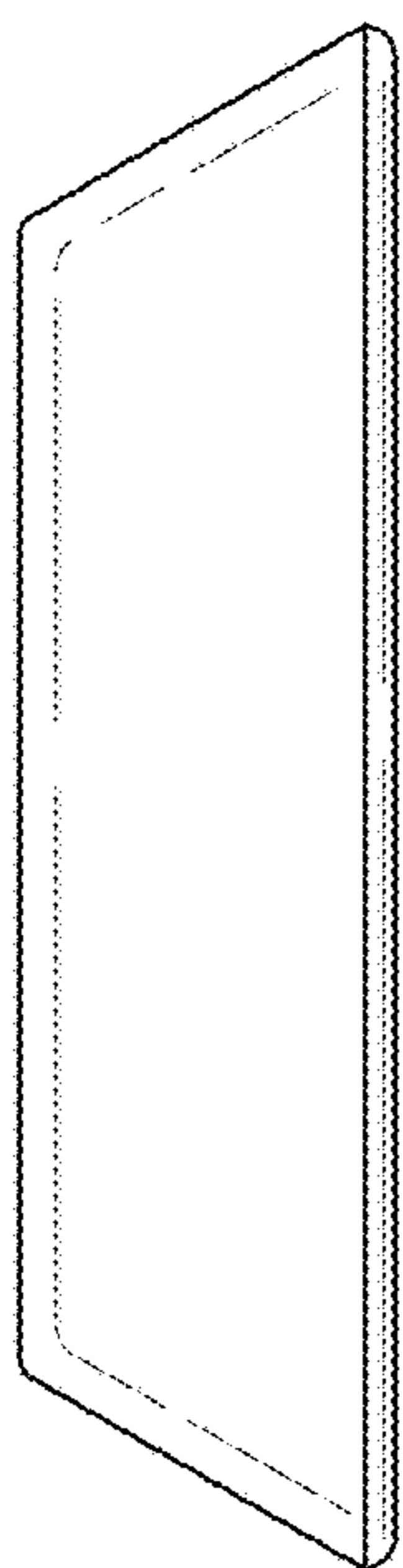


FIG. 20

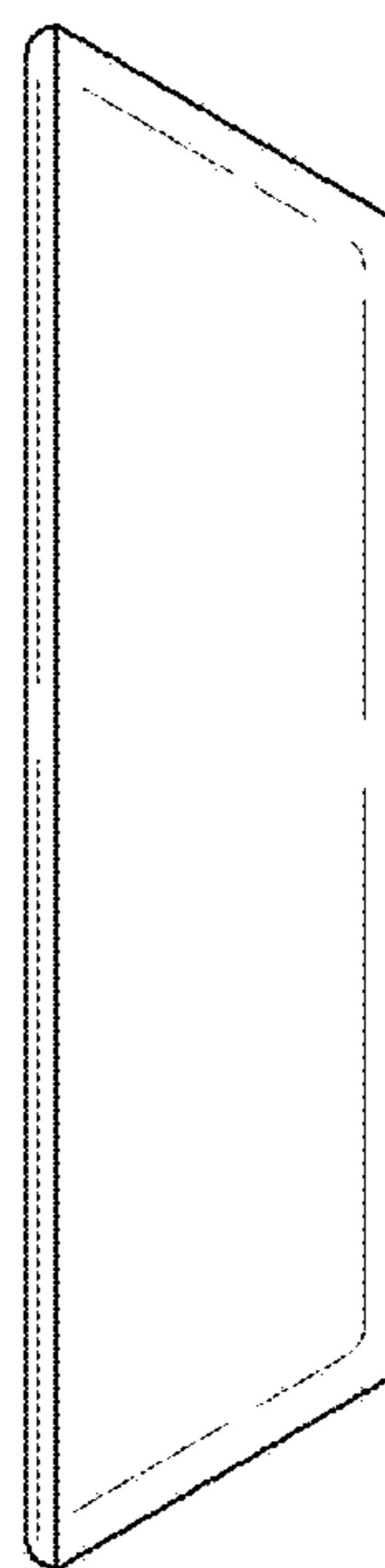


FIG. 21