



US00D810708S

(12) **United States Design Patent**
Pardun

(10) **Patent No.:** **US D810,708 S**

(45) **Date of Patent:** **** Feb. 20, 2018**

(54) **MAGNETIC GRIPPING DEVICE**
(71) Applicant: **Emory Innovations, LLC**, Denver, CO
(US)
(72) Inventor: **Emory Tyler Pardun**, Denver, CO
(US)
(**) Term: **14 Years**
(21) Appl. No.: **29/500,724**

4,129,312 A 12/1978 Loeffelholz
4,234,202 A 11/1980 Loeffelholz
4,658,441 A * 4/1987 Smith A41D 13/087
2/16
4,728,123 A * 3/1988 Kassal A63C 11/02
224/220
4,938,487 A * 7/1990 Ponsart A63B 69/0046
2/160
5,110,154 A * 5/1992 Street A41D 19/0037
135/72
5,312,134 A * 5/1994 Goode A41D 19/0037
2/160

(Continued)

(22) Filed: **Aug. 27, 2014**
(51) **LOC (11) Cl.** **13-99**
(52) **U.S. Cl.**
USPC **D13/183; D21/791**
(58) **Field of Classification Search**
USPC D13/183, 133, 154, 184, 199; D8/16,
D8/373; D19/75, 96, 97, 100; 174/661,
174/659, 50, 660, 666, 153 G, 655, 58,
174/60, 64, 656, 665, 135, 152 G, 53, 57,
174/59, 650, 653, 657, 663, 667;
446/129, 132, 137, 138; 63/29.2, 900;
248/206.5, 467, 693; 40/600, 621;
24/691, 619; D20/22, 41, 43; 280/813;
473/205; D21/791, 759
CPC G09F 7/04; G09F 2007/1852; Y10T 24/32;
A44D 2203/00; Y10S 63/90; Y10S
211/01; B43M 99/004
See application file for complete search history.

OTHER PUBLICATIONS

“Crown Gear Magnet Weight Lifting Straps,” www.amazon.com
<http://www.amazon.com/Neoprene-Padded-Weight-Lifting-Straps/dp/B00DCGO6LS>.

Primary Examiner — Derrick Holland
Assistant Examiner — Jennifer O King
(74) *Attorney, Agent, or Firm* — Reilly Intellectual
Property Law Firm

(57) **CLAIM**

The ornamental design for a magnetic gripping device, as shown and described.

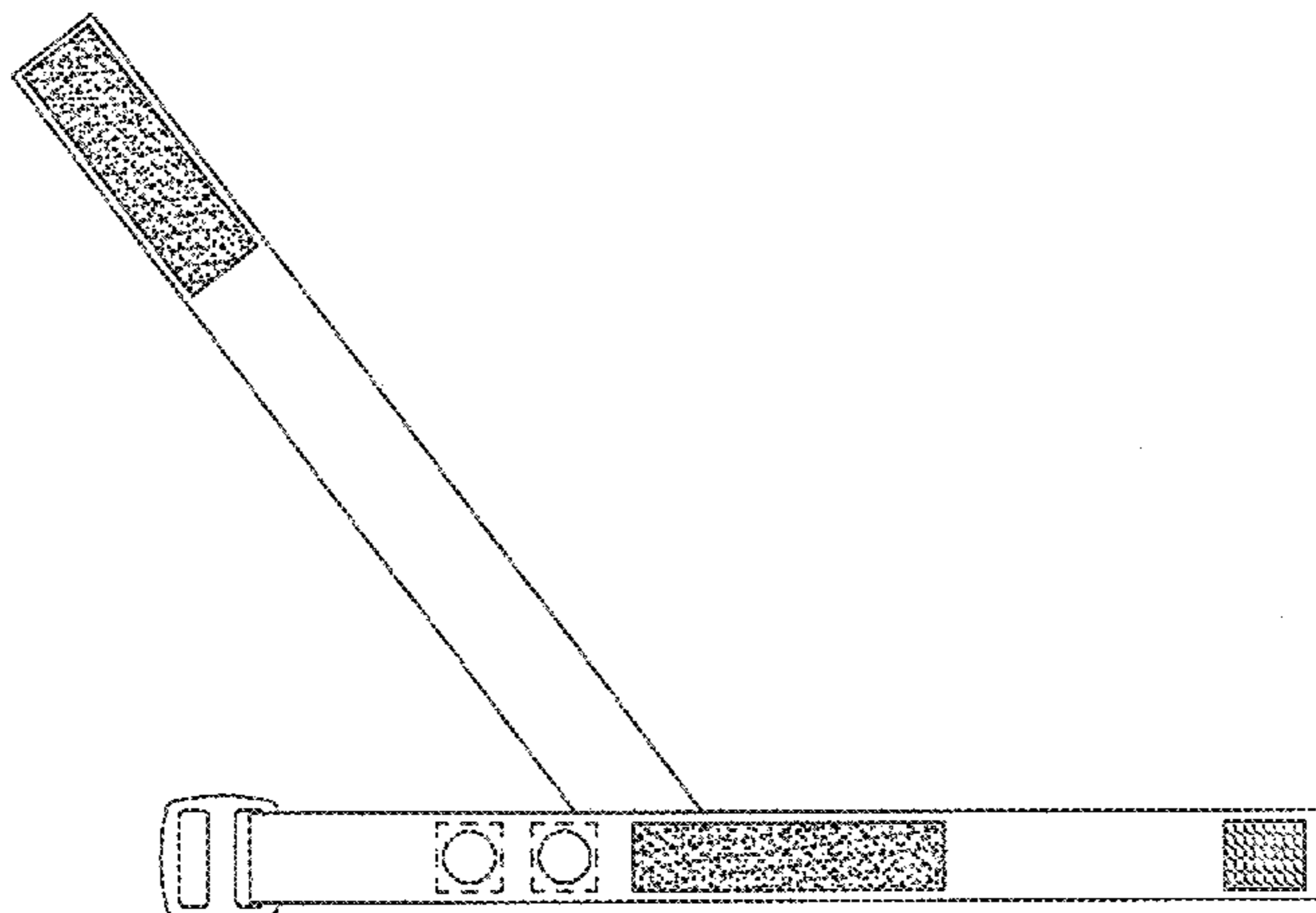
DESCRIPTION

FIG. 1 is a bottom view of a magnetic gripping device;
FIG. 2 is an end view of FIG. 1;
FIG. 3 is a side view of FIG. 1;
FIG. 4 is an opposite end view of FIG. 2; and,
FIG. 5 is a top view of FIG. 1.

The unevenly spaced broken lines shown represent unclaimed subject matter and form no part of the claimed design. However, the evenly spaced broken lines shown in FIGS. 1 and 5 represent stitching and form no part of the claimed design.

1 Claim, 1 Drawing Sheet

(56) **References Cited**
U.S. PATENT DOCUMENTS
586,373 A * 7/1897 Walker A63B 53/04
473/205
1,465,223 A * 8/1923 Kobbe A63B 71/148
2/19
1,836,223 A * 12/1931 Burns B65G 7/12
294/25
3,408,657 A * 11/1968 Gallagher A63B 71/146
2/159
3,957,267 A * 5/1976 Vitalo A63B 69/0002
473/205



US D810,708 S

Page 2

(56)

References Cited

U.S. PATENT DOCUMENTS

- | | | | | | | | |
|--------------|------|---------|-----------------|-------|------|----------|---------|
| 5,328,205 | A * | 7/1994 | Bacharach | | A63C | 11/222 | 135/72 |
| 5,459,883 | A * | 10/1995 | Garceau-Verbeck | | A41D | 13/082 | 2/161.1 |
| 5,516,150 | A * | 5/1996 | Goode | | A41D | 19/0037 | 2/161.1 |
| 5,526,531 | A * | 6/1996 | Olson | | A41D | 13/088 | 2/16 |
| D372,064 | S * | 7/1996 | del Barrio | | D21 | 7/91 | |
| D386,067 | S * | 11/1997 | Hamerski | | D8 | 3/73 | |
| 5,685,787 | A * | 11/1997 | Kogut | | A63B | 69/3608 | 473/205 |
| 5,706,521 | A * | 1/1998 | Haney | | A41D | 19/0037 | 2/160 |
| 5,715,539 | A | 2/1998 | Benecki et al. | | | | |
| 5,782,743 | A * | 7/1998 | Russell | | A61N | 2/06 | 600/15 |
| D418,948 | S * | 1/2000 | London | | D24 | 1/90 | |
| 6,146,319 | A * | 11/2000 | Tarail | | A63B | 21/065 | 2/161.1 |
| 6,502,862 | B1 * | 1/2003 | Lenhart | | A45B | 9/02 | 280/821 |
| 6,783,507 | B1 * | 8/2004 | Fisher | | A61F | 5/0118 | 602/21 |
| D495,972 | S * | 9/2004 | Pettingill | | D11 | 2/20 | |
| D563,818 | S * | 3/2008 | Varon | | D11 | 3 | |
| 7,661,713 | B2 * | 2/2010 | Panizza | | A63C | 11/222 | 280/821 |
| 8,070,619 | B2 | 12/2011 | Edwards | | | | |
| 8,132,302 | B2 * | 3/2012 | Wilkinson | | B65H | 75/366 | 224/254 |
| 8,221,254 | B2 * | 7/2012 | Park | | A63B | 71/146 | 473/201 |
| 8,333,352 | B2 | 12/2012 | Chambers | | | | |
| 9,017,182 | B1 * | 4/2015 | Freiler, Jr. | | A63B | 69/3608 | 473/205 |
| 9,333,641 | B2 * | 5/2016 | Macias | | B25H | 3/00 | |
| 9,367,793 | B2 * | 6/2016 | Proud | | G06K | 19/07762 | |
| 9,407,742 | B2 * | 8/2016 | Noble Nava | | H04M | 1/0279 | |
| 2006/0174395 | A1 | 8/2006 | Mayo | | | | |
| 2008/0083096 | A1 * | 4/2008 | Wilkinson | | B65H | 75/366 | 24/298 |
| 2009/0282606 | A1 * | 11/2009 | Bordella | | A41D | 19/01547 | 2/161.1 |
| 2010/0088802 | A1 * | 4/2010 | Previsdomini | | A41D | 19/0037 | 2/160 |
| 2011/0165954 | A1 * | 7/2011 | Park | | A63B | 71/146 | 473/205 |
| 2011/0263346 | A1 * | 10/2011 | Wise | | A63B | 53/14 | 473/205 |

* cited by examiner

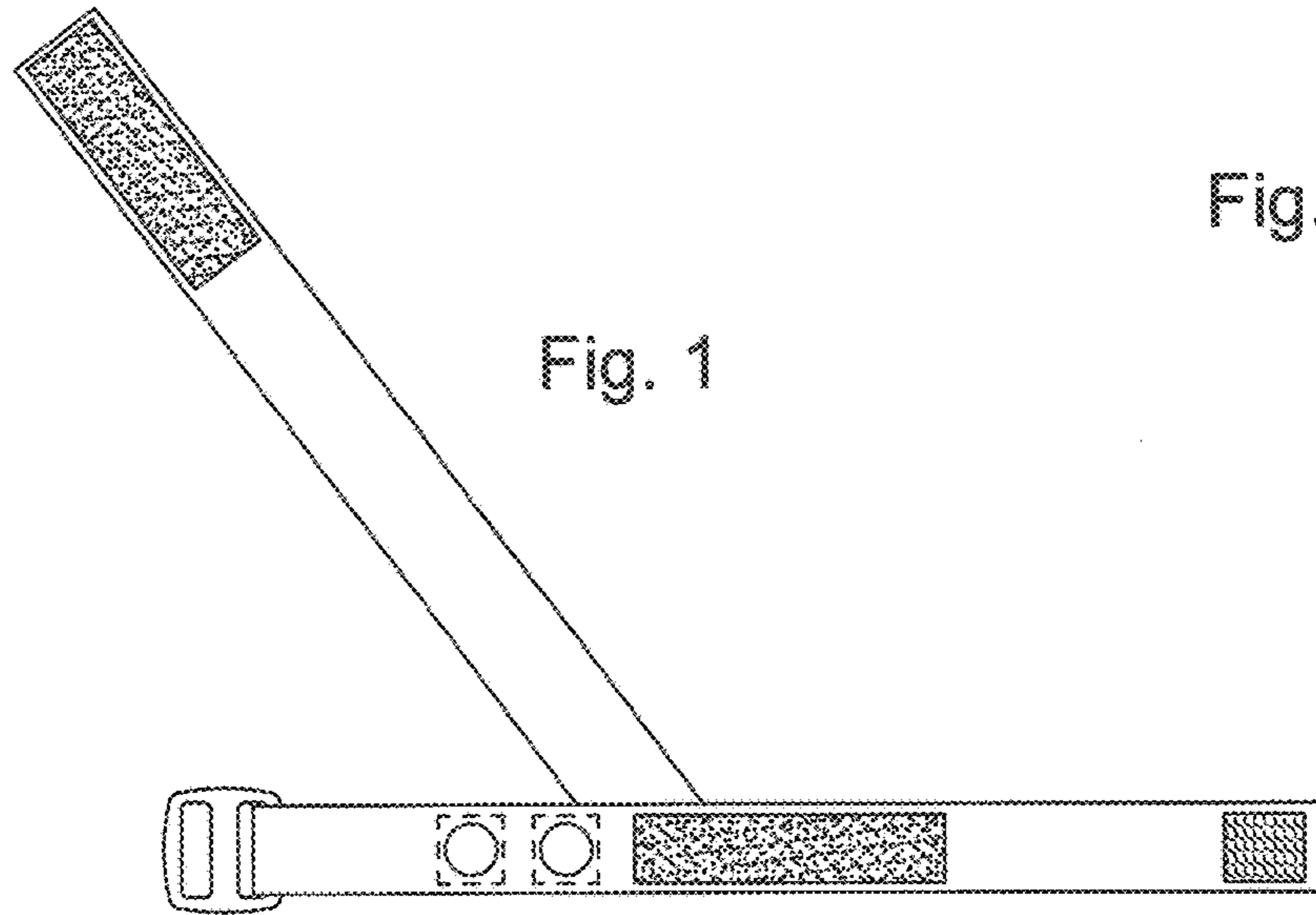


Fig. 2

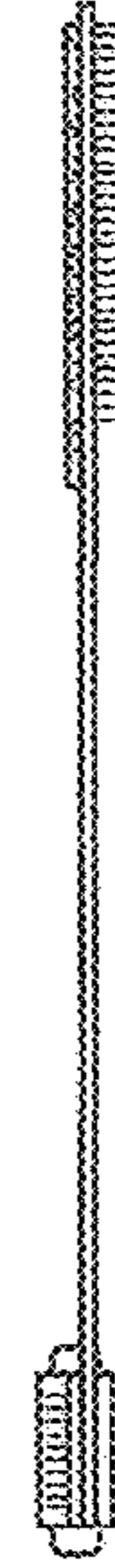


Fig. 1

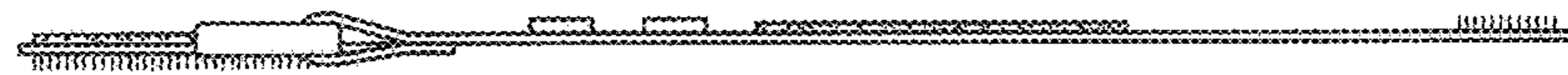


Fig. 3

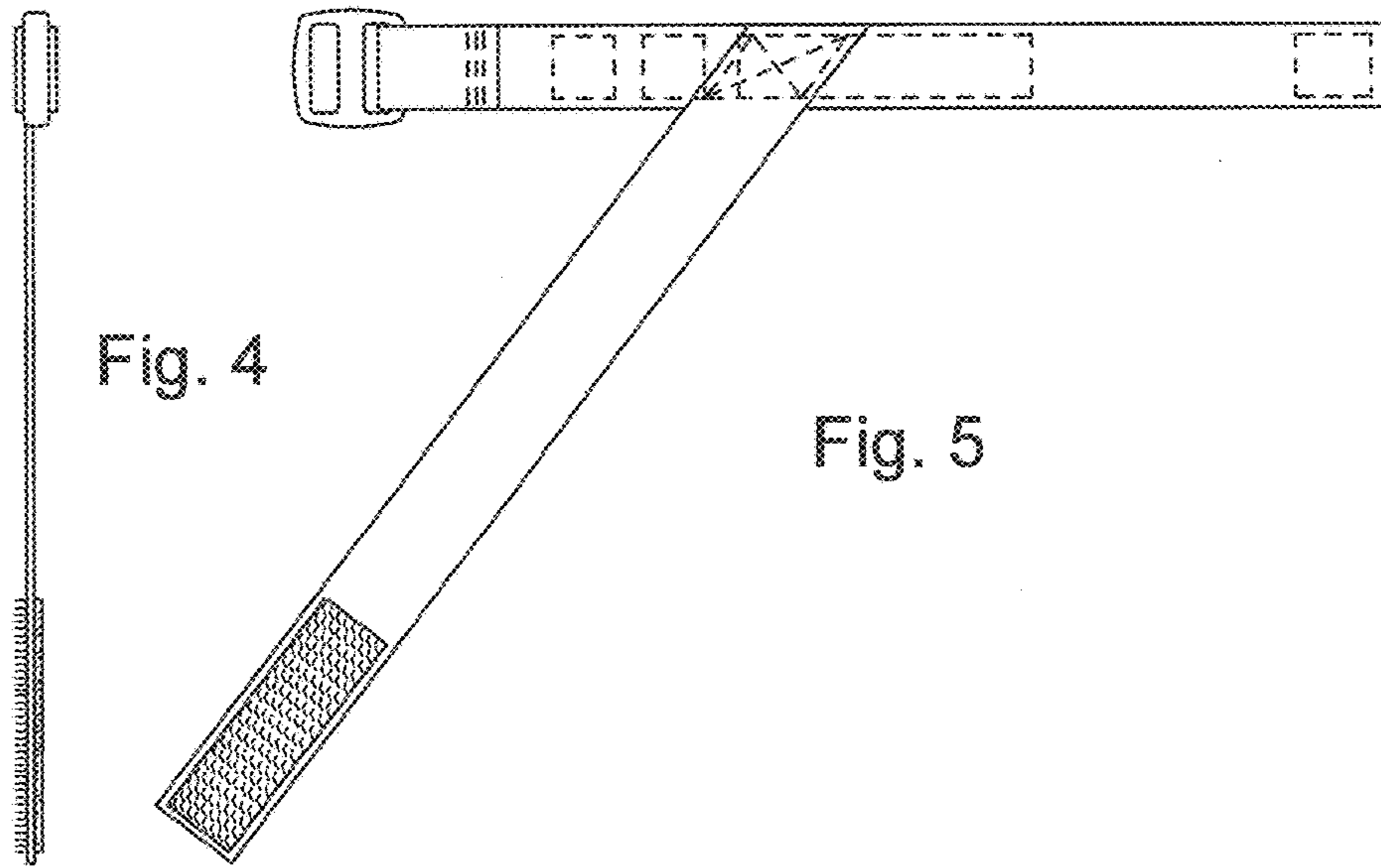


Fig. 4

Fig. 5