



US00D810703S

(12) **United States Design Patent**
Ito

(10) **Patent No.:** **US D810,703 S**
(45) **Date of Patent:** **** Feb. 20, 2018**

- (54) **SWITCH COVER**
- (71) Applicant: **YAMAHA CORPORATION**,
Hamamatsu-shi, Shizuoka (JP)
- (72) Inventor: **Masafumi Ito**, Hamamatsu (JP)
- (73) Assignee: **YAMAHA CORPORATION**,
Hamamatsu-shi, Shizuoka (JP)
- (**) Term: **15 Years**
- (21) Appl. No.: **29/567,264**
- (22) Filed: **Jun. 7, 2016**

- 3,699,236 A 10/1972 Kodaira
- 4,376,896 A 3/1983 Takeda et al.
- 4,937,407 A 6/1990 Osika
- D320,596 S 10/1991 Sdunek
- 5,064,977 A 11/1991 Fierro
- 5,107,082 A 4/1992 Valenzona
- 5,343,007 A 8/1994 Roeser et al.
- 5,907,140 A 5/1999 Smith
- D416,871 S 11/1999 Todd
- 6,011,226 A 1/2000 Sadowski et al.
- 6,054,655 A 4/2000 Rudolph et al.
- D447,123 S 8/2001 Winkler
- 6,365,851 B1 4/2002 Gasper
- D460,423 S 7/2002 Sadowski

(Continued)

Related U.S. Application Data

- (62) Division of application No. 29/503,626, filed on Sep. 29, 2014, now abandoned.
- (51) **LOC (11) Cl.** **13-03**
- (52) **U.S. Cl.**
USPC **D13/174**
- (58) **Field of Classification Search**
USPC D13/160, 169, 173, 174, 177
CPC H01H 9/02; H01H 9/0271; H01H 9/16;
H01H 9/18; H01H 9/161; H01H 9/181;
H01H 9/182; H01H 9/287; H01H 13/04;
H01H 13/14; H01H 13/20; H01H 13/30;
H01H 19/635; H01H 23/00; H01H 23/02;
H01H 23/025; H01H 23/04; H01H
23/145; H01H 23/148; H01H 23/205;
H01H 23/30; H05B 33/0803; H05B
33/0863; H05B 37/02; H05B 37/0254;
H05B 37/0272; H05B 39/02; H05B
39/04; H05B 39/085; H05B 39/086;
H05B 39/088
See application file for complete search history.

References Cited

U.S. PATENT DOCUMENTS

- 3,178,522 A 4/1965 Passarelli, Jr.
- D217,618 S 5/1970 Gallup

FOREIGN PATENT DOCUMENTS

- JP 62-144029 U 9/1987
- JP 4487790 B2 4/2010

Primary Examiner — Selina Sikder

(74) *Attorney, Agent, or Firm* — Sughrue Mion, PLLC

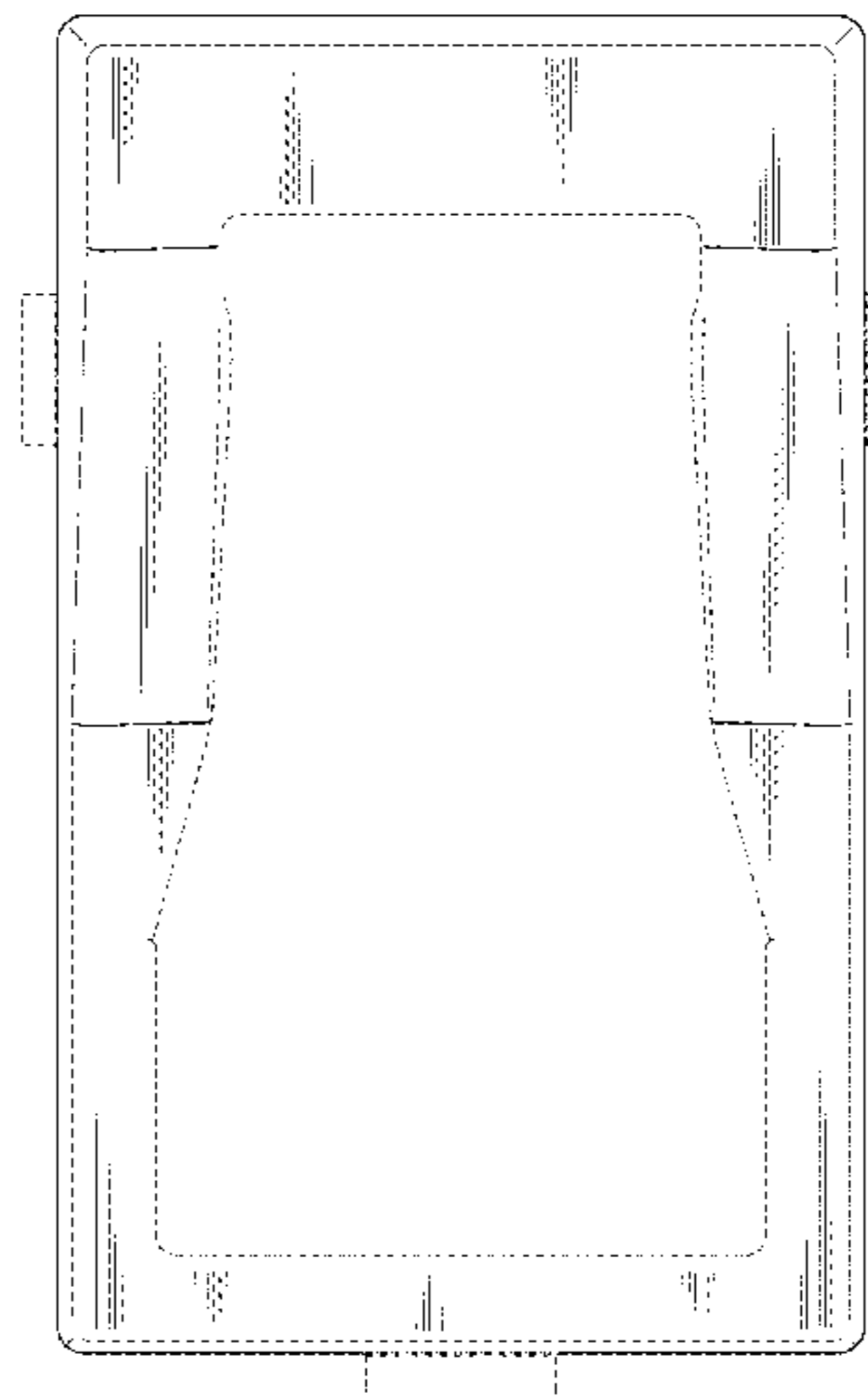
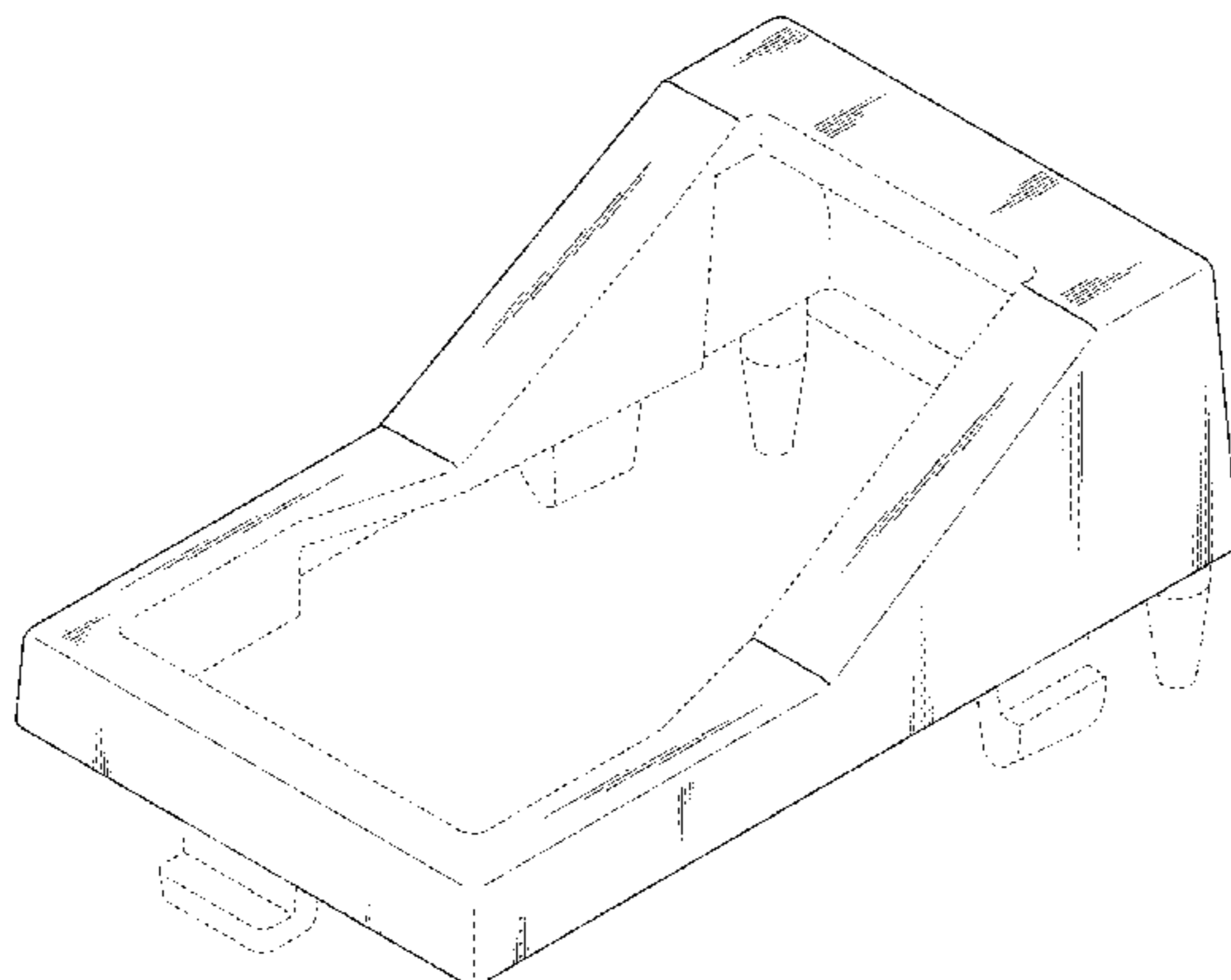
(57) **CLAIM**

The ornamental design for a switch cover, as shown and described.

DESCRIPTION

FIG. 1 is a perspective view of the front, top and right side of a switch cover showing my new design;
 FIG. 2 is a front view thereof;
 FIG. 3 is a rear view thereof;
 FIG. 4 is a left side view thereof;
 FIG. 5 is a right side view thereof;
 FIG. 6 is a top plan view thereof;
 FIG. 7 is a bottom view thereof; and,
 FIG. 8 is a reference view of usage thereof.
 The broken lines shown are included for the purpose of illustrating the unclaimed portions of a switch cover and form no part of the claimed design.

1 Claim, 8 Drawing Sheets



(56)

References Cited

U.S. PATENT DOCUMENTS

6,437,259	B1	8/2002	Geppert et al.
6,465,753	B1	10/2002	Wang
6,576,855	B2	6/2003	Levendis et al.
6,621,025	B2	9/2003	Yei et al.
6,693,246	B1	2/2004	Rudolph et al.
6,794,592	B1	9/2004	Liu et al.
D534,874	S	1/2007	Potts
7,208,693	B1	4/2007	Yu
D558,690	S	1/2008	Anderson, Jr. et al.
7,576,293	B2	8/2009	Nagai et al.
7,714,241	B2	5/2010	Searle et al.
D638,803	S	5/2011	Sakakibara et al.
D658,138	S	4/2012	Harada et al.
8,342,876	B2	1/2013	Lee et al.
D695,231	S	12/2013	Shen
9,466,440	B2 *	10/2016	Sonobe H01H 9/0264
2008/0041707	A1	2/2008	Lee
2010/0258418	A1	10/2010	Yu
2014/0069787	A1	3/2014	Hisada et al.

* cited by examiner

Fig. 1

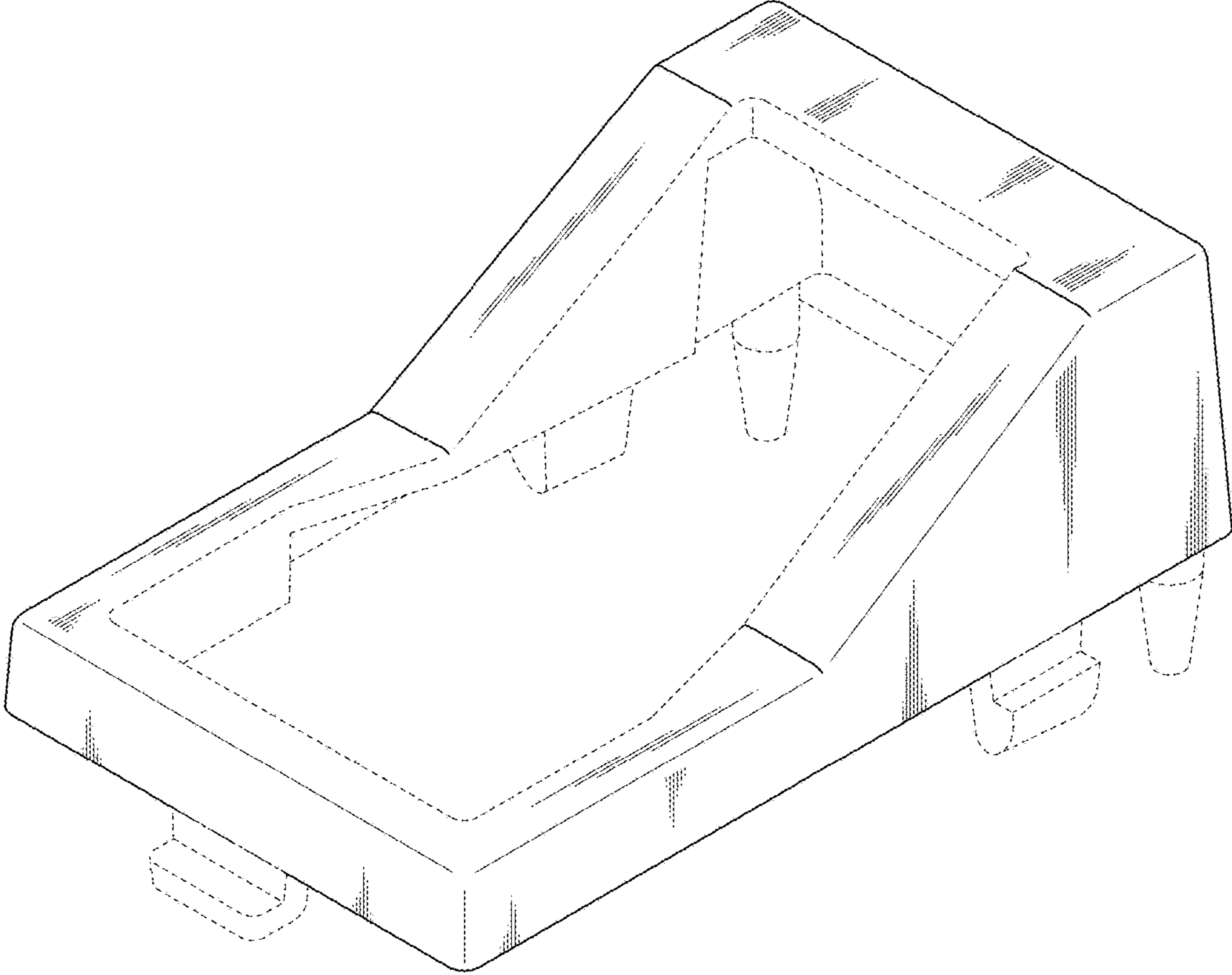


Fig. 2

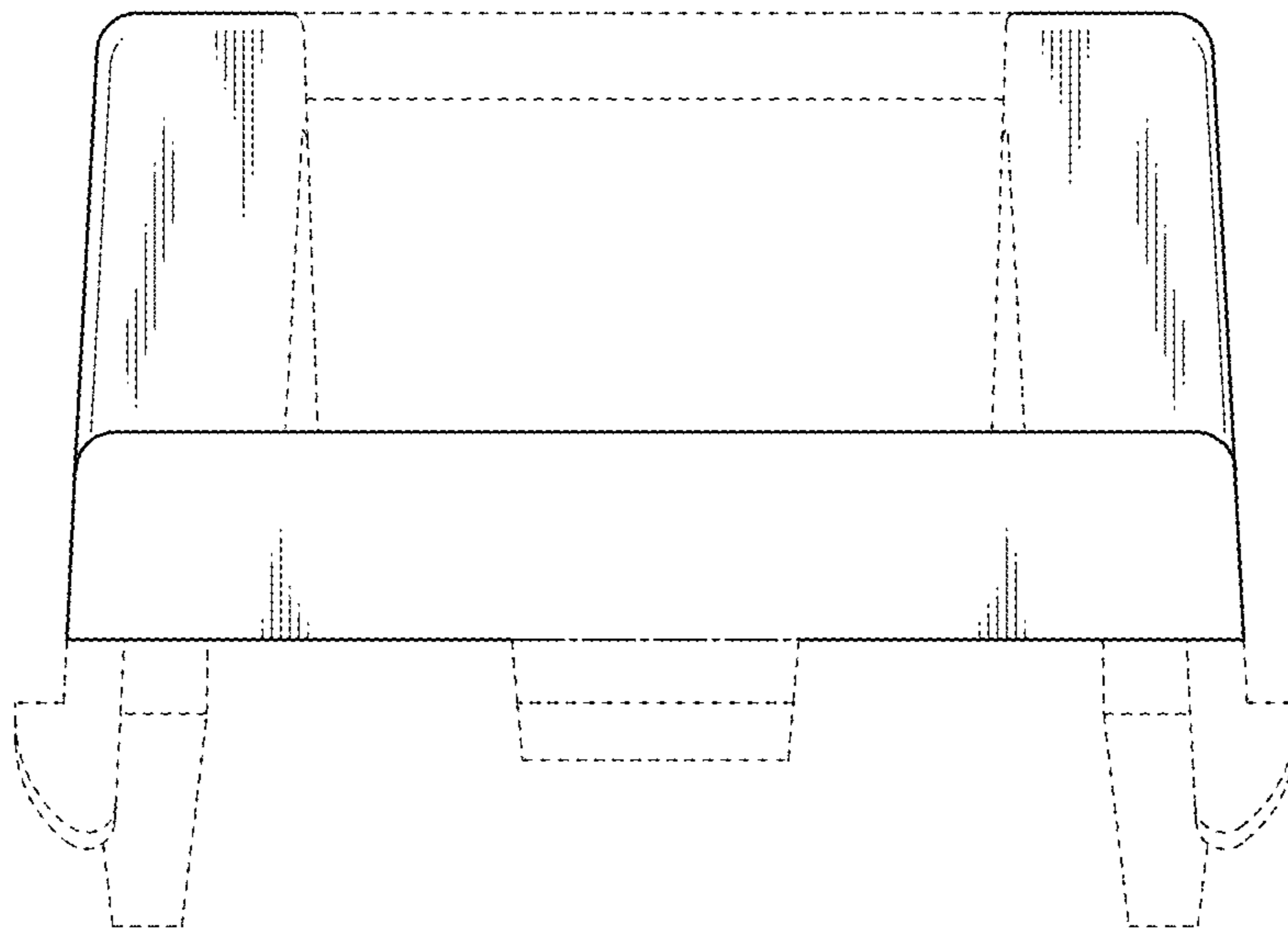


Fig. 3

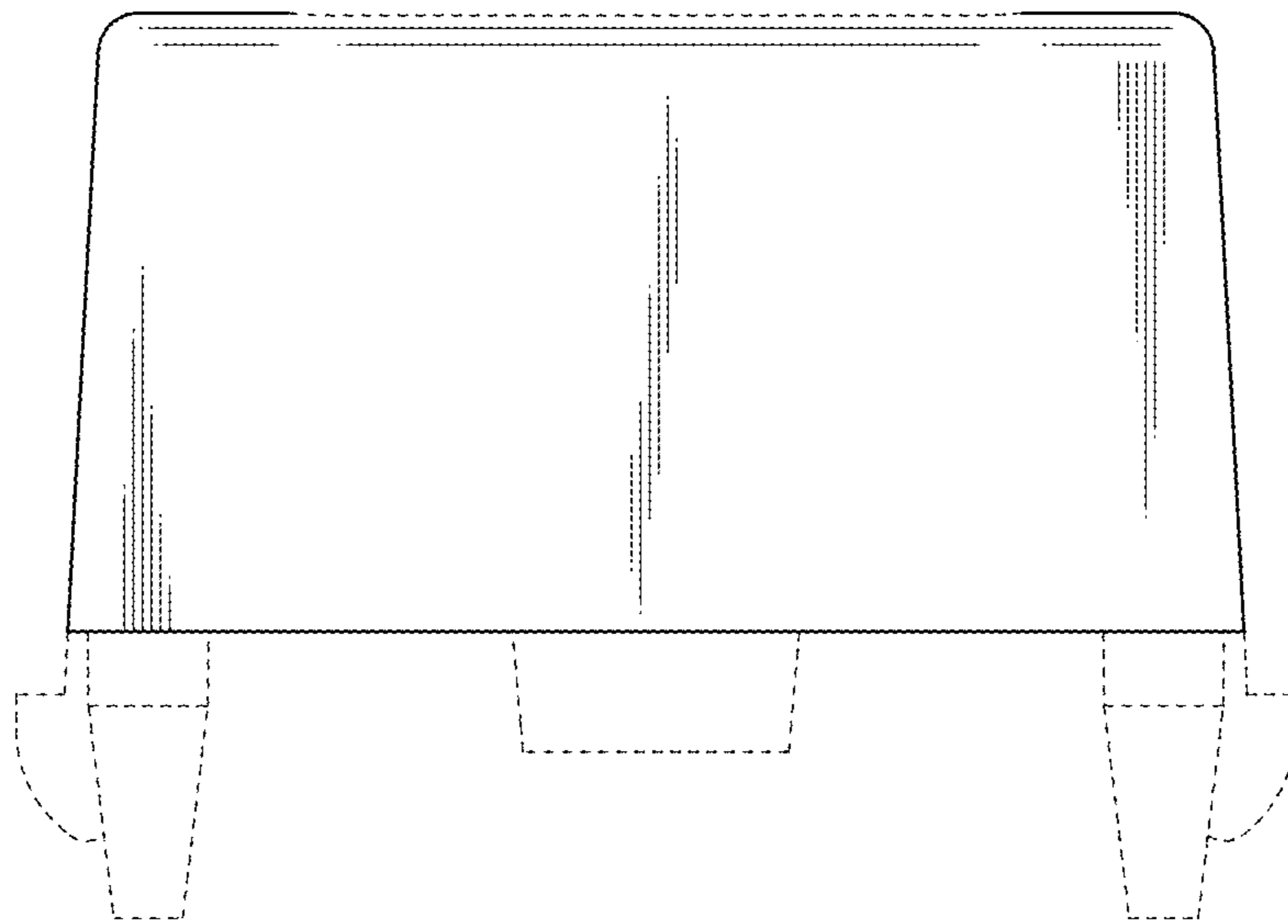


Fig. 4

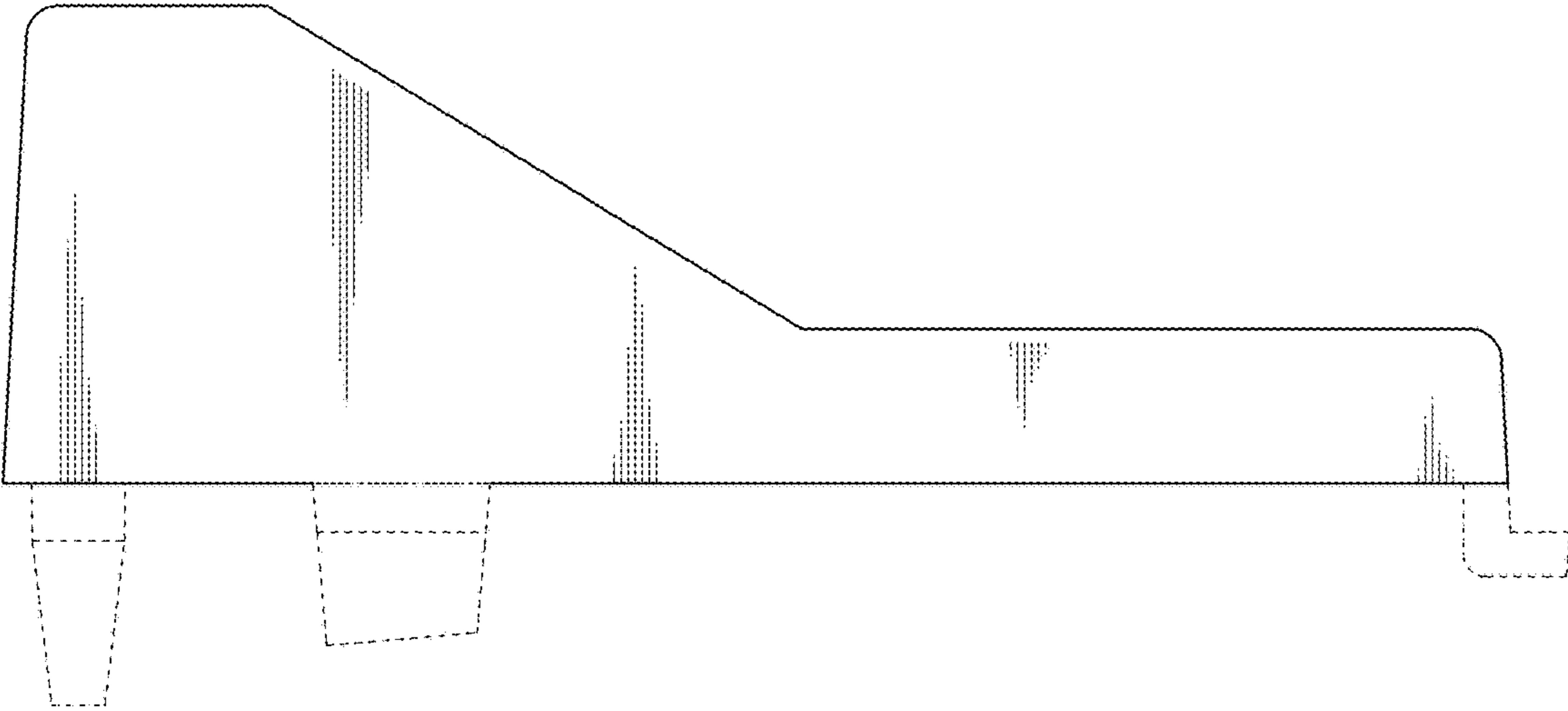


Fig. 5

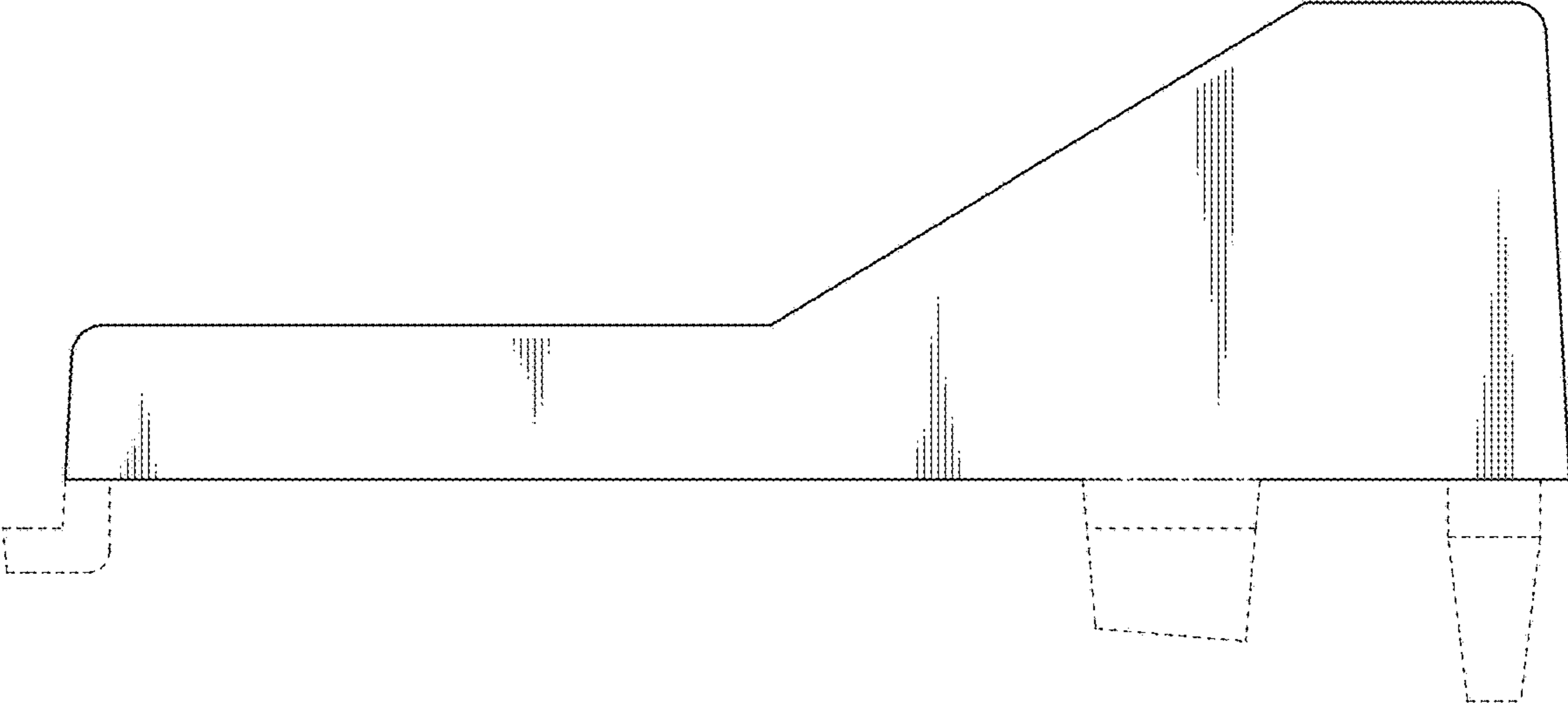


Fig. 6

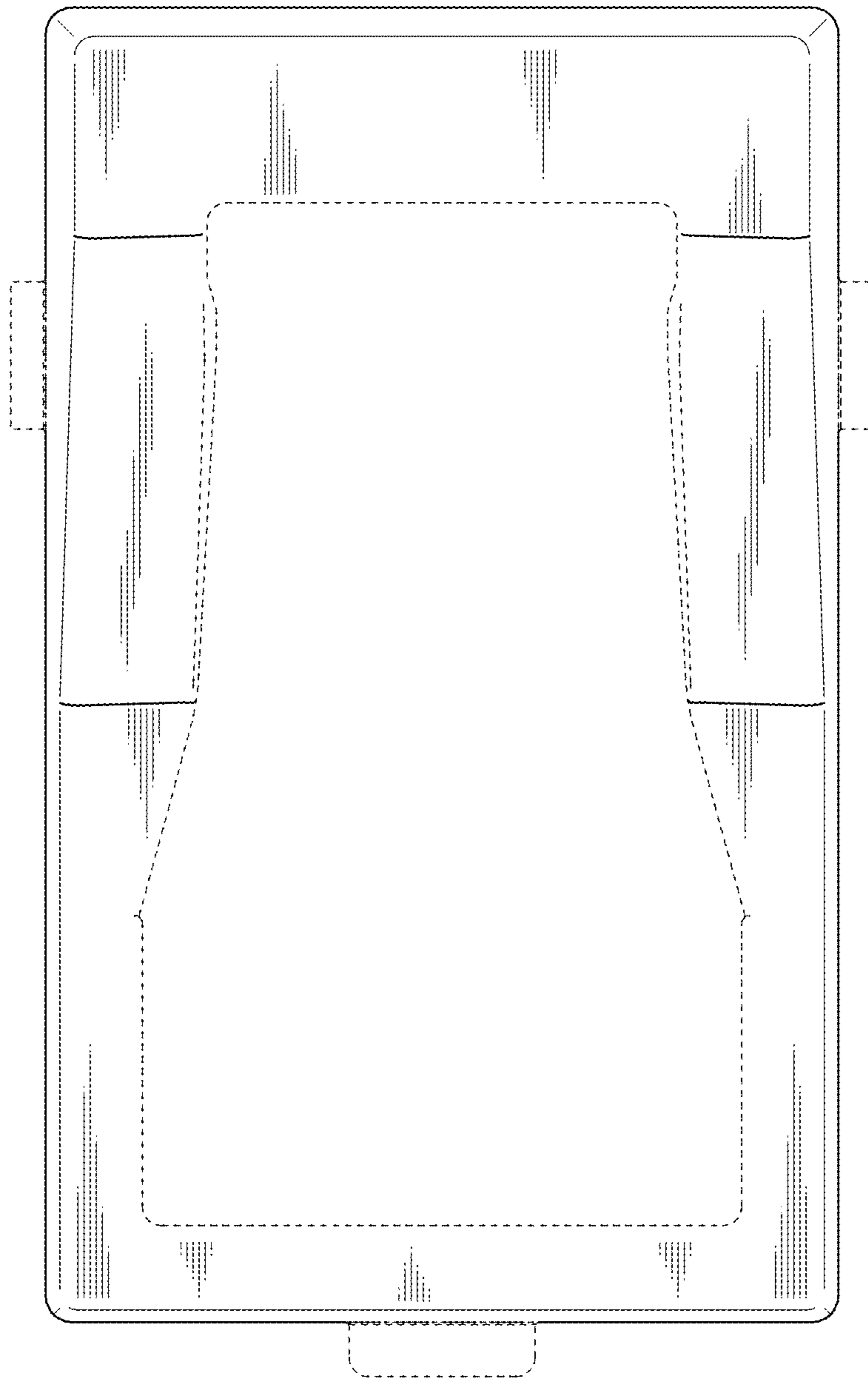


Fig. 7

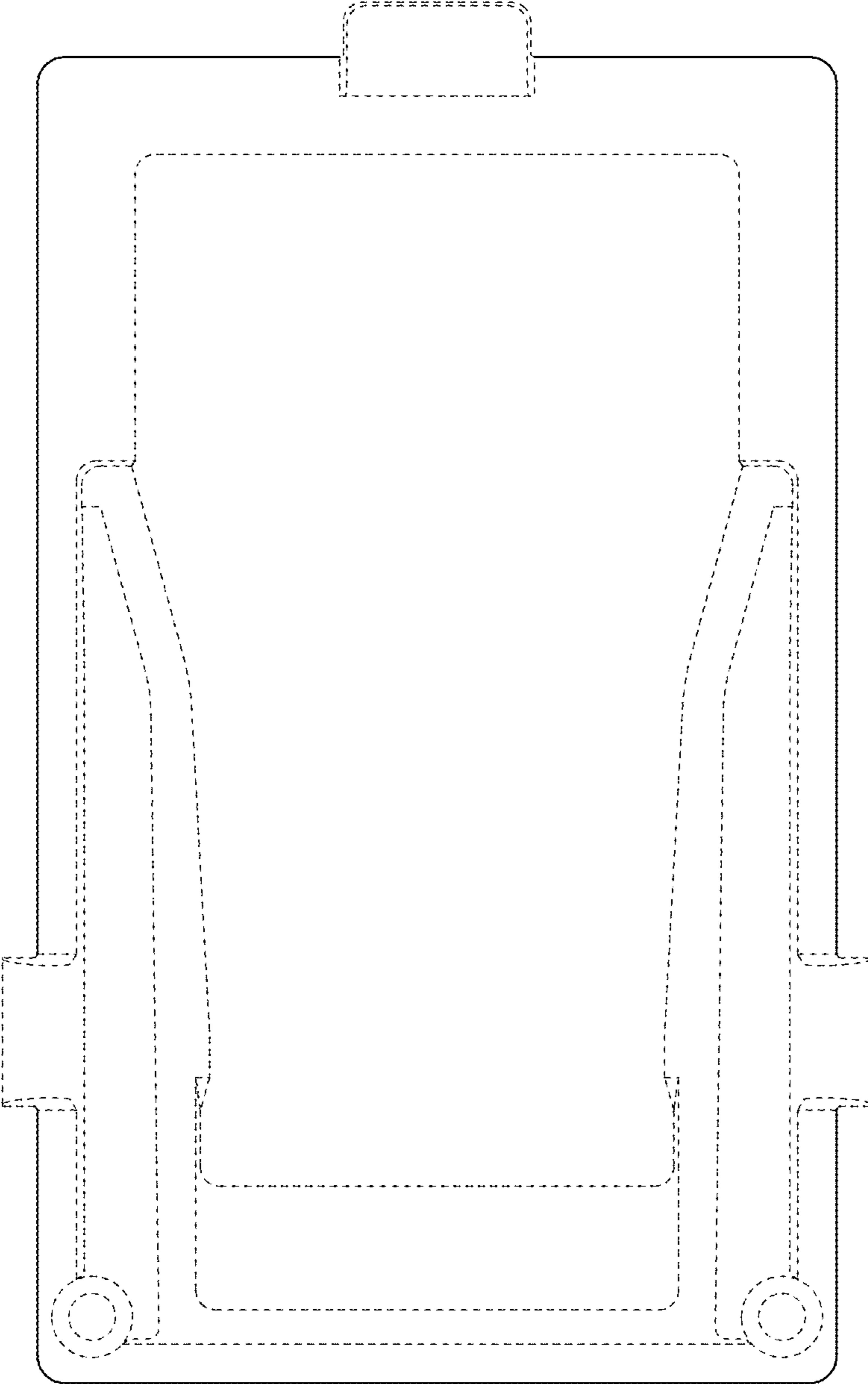


Fig. 8

