



US00D810702S

(12) **United States Design Patent**
Oleson et al.

(10) **Patent No.:** **US D810,702 S**

(45) **Date of Patent:** **** Feb. 20, 2018**

(54) **CONTROL DEVICE**

(71) Applicant: **DELTA T CORPORATION**,
Lexington, KY (US)

(72) Inventors: **Richard Oleson**, Lexington, KY (US);
Erik Turocy, Columbus, OH (US)

(73) Assignee: **DELTA T CORPORATION**,
Lexington, KY (US)

(**) Term: **15 Years**

(21) Appl. No.: **29/593,943**

(22) Filed: **Feb. 14, 2017**

Related U.S. Application Data

(62) Division of application No. 29/537,610, filed on Aug. 27, 2015, now Pat. No. Des. 781,252.

(51) **LOC (11) Cl.** **13-03**

(52) **U.S. Cl.**
USPC **D13/162; D13/171**

(58) **Field of Classification Search**

USPC D13/162, 164, 171, 174, 177
CPC .. H01H 3/12; H01H 9/02; H01H 9/16; H01H 9/18; H01H 9/181; H01H 9/182; H01H 13/04; H01H 13/14; H01H 2009/187; H05B 33/0803; H05B 33/0863; H05B 37/02; H05B 37/0254; H05B 37/0272; H05B 39/02; H05B 39/04; H05B 39/085; H05B 39/086; H05B 39/088; H02G 3/14
See application file for complete search history.

(56) **References Cited**

U.S. PATENT DOCUMENTS

D234,602 S * 3/1975 Mellyn D13/125
D408,821 S * 4/1999 Takahashi D14/218
D414,748 S * 10/1999 Pierson D13/171
D479,205 S * 9/2003 Krajci D13/171
6,989,489 B1 * 1/2006 Savicki, Jr. H02G 3/14
174/50

D532,779 S * 11/2006 Kim D14/218
D548,702 S * 8/2007 Girard D13/162
7,274,117 B1 * 9/2007 Viola H01B 1/24
307/112
7,285,723 B2 * 10/2007 Lindenstrauss H02G 3/125
174/66
D557,240 S * 12/2007 Lee D14/138 AB
D561,113 S * 2/2008 Samhammer D13/162
D562,264 S * 2/2008 Jeong D13/164
D606,500 S * 12/2009 Snyder D13/171

(Continued)

OTHER PUBLICATIONS

Ryu, Hojeong (Korean Intellectual Property Office); Notification of Refusal; dated Jun. 23, 2017; Republic of Korea.

Primary Examiner — Selina Sikder

(74) *Attorney, Agent, or Firm* — King & Schickli, PLLC

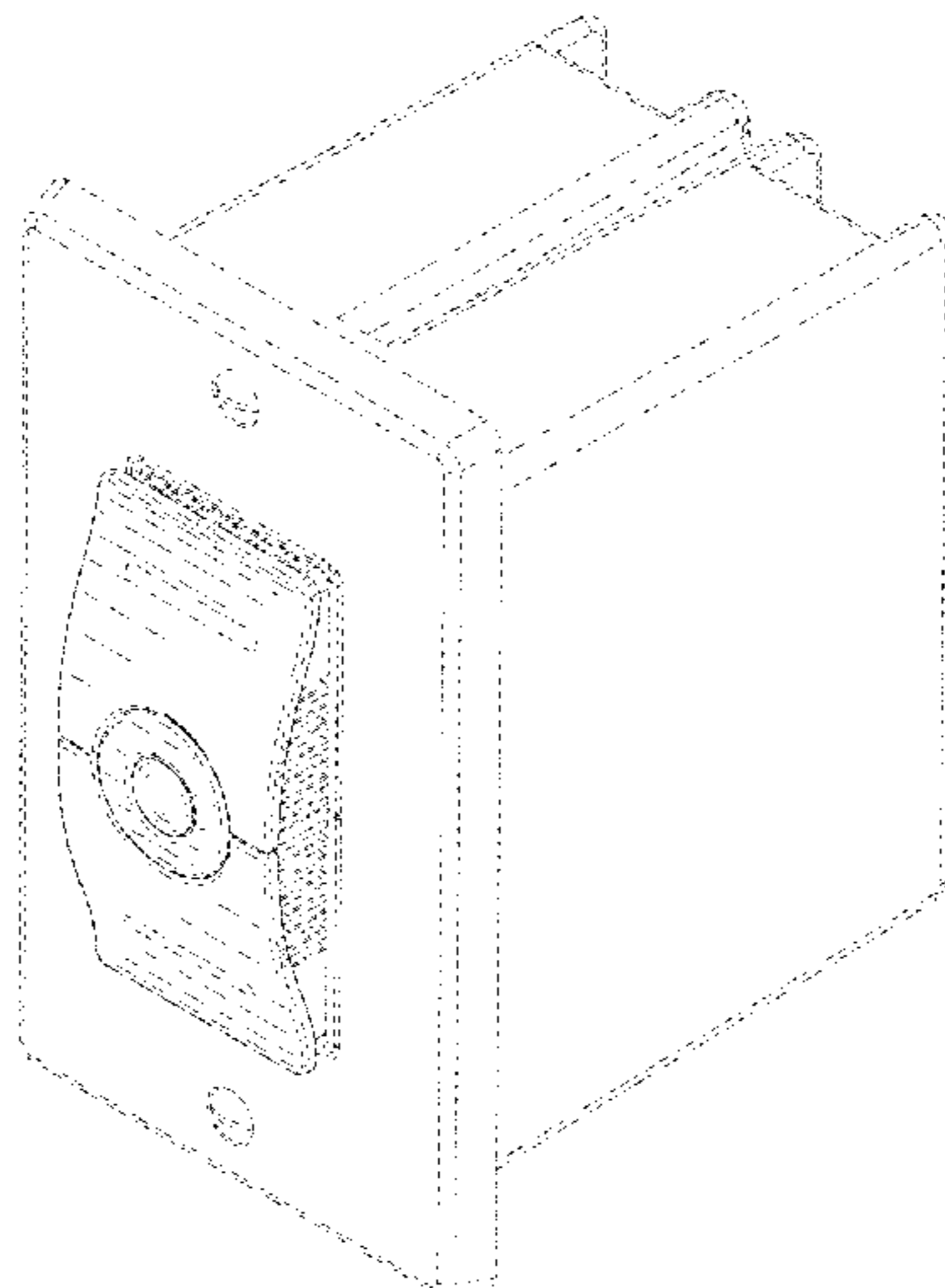
(57) **CLAIM**

The ornamental design for a control device, as shown and described.

DESCRIPTION

FIG. 1 is a perspective view of the invention;
FIG. 2 is a front view of the invention;
FIG. 3 is a right side view of the invention, the left side view being a mirror image thereof;
FIG. 4 is a top view of the invention, the bottom view being a mirror image thereof;
FIG. 5 is a perspective view of a second embodiment of the invention;
FIG. 6 is a front view of the invention;
FIG. 7 is a right side view of the invention, the left side being a mirror image thereof; and,
FIG. 8 is a top view of the invention, the bottom view being a mirror image thereof.
The broken line depictions form no part of the claimed design.

1 Claim, 8 Drawing Sheets



(56)

References Cited

U.S. PATENT DOCUMENTS

D614,588 S * 4/2010 Snyder D13/171
D646,280 S * 10/2011 Yano D14/188
8,153,918 B2 * 4/2012 Agronin H01H 3/227
200/331
D709,463 S * 7/2014 Junko D13/169
D717,761 S * 11/2014 Takahata D14/142
D722,981 S * 2/2015 Livschitz D13/162
D733,077 S * 6/2015 Panis D13/171
D736,717 S * 8/2015 Duffy D13/162
9,208,965 B2 * 12/2015 Busby H01H 9/287
D781,252 S * 3/2017 Oleson D13/174
2013/0277191 A1 * 10/2013 Trolese H05K 5/02
200/501

* cited by examiner

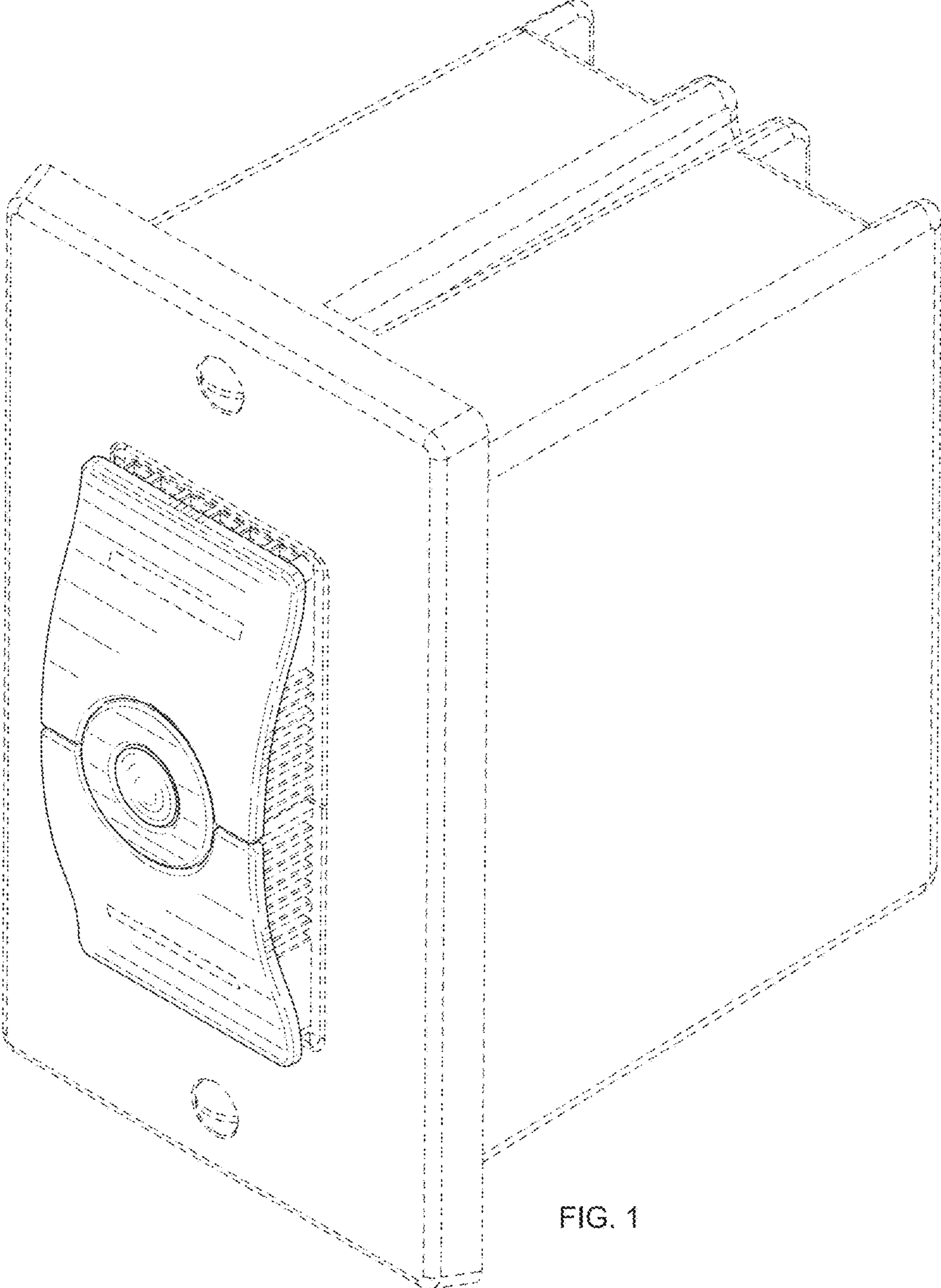


FIG. 1

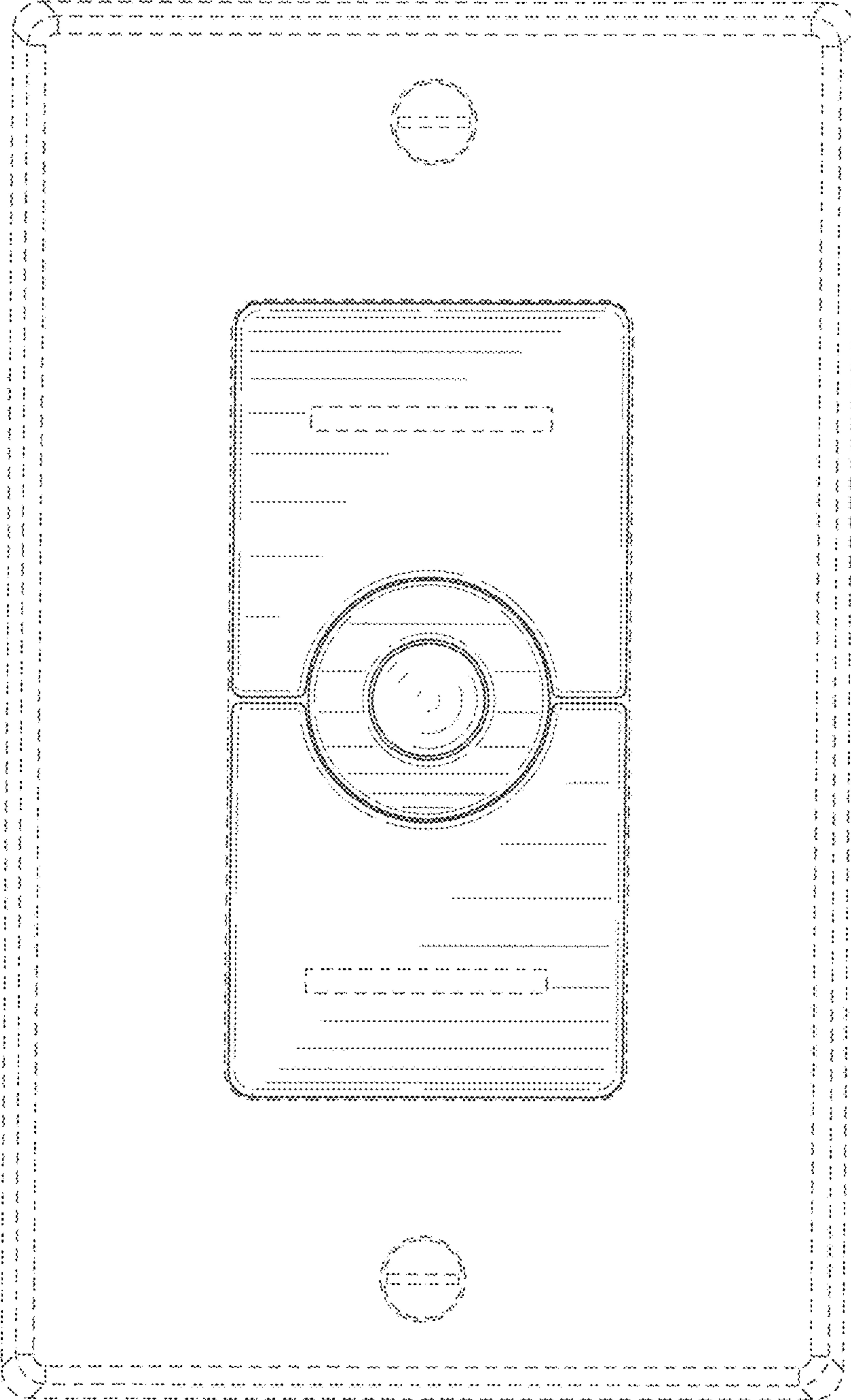


FIG. 2

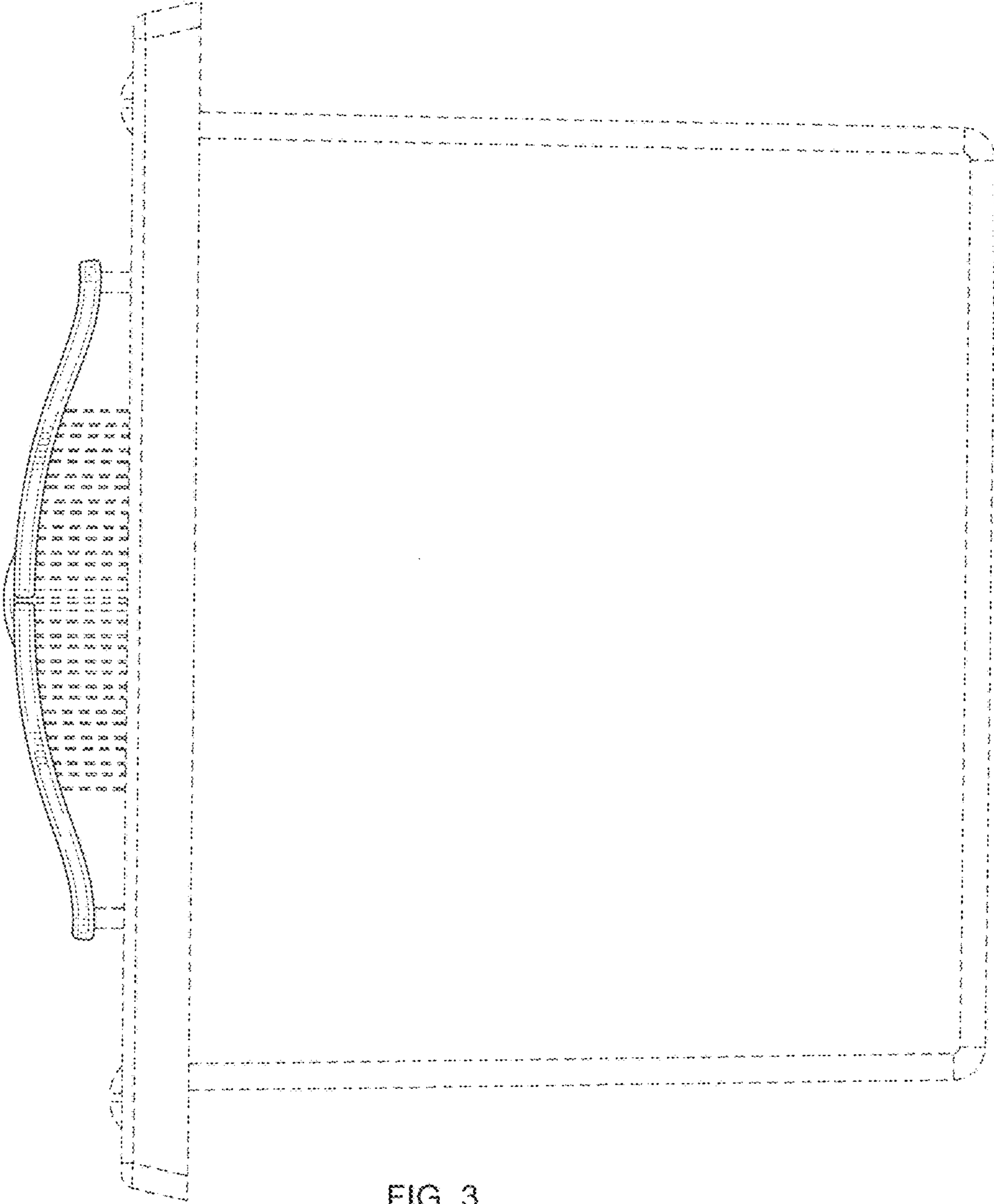


FIG. 3

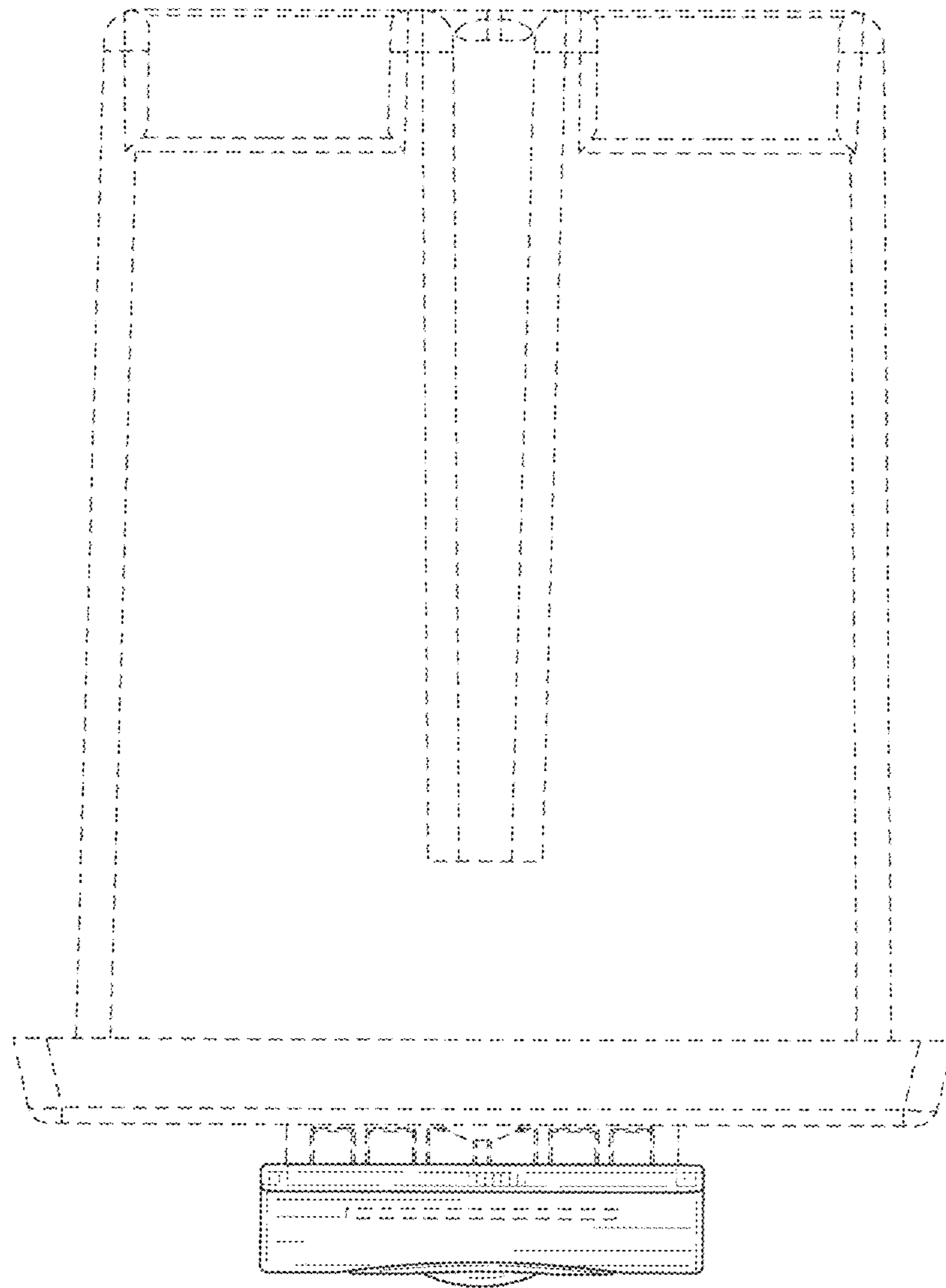


FIG. 4

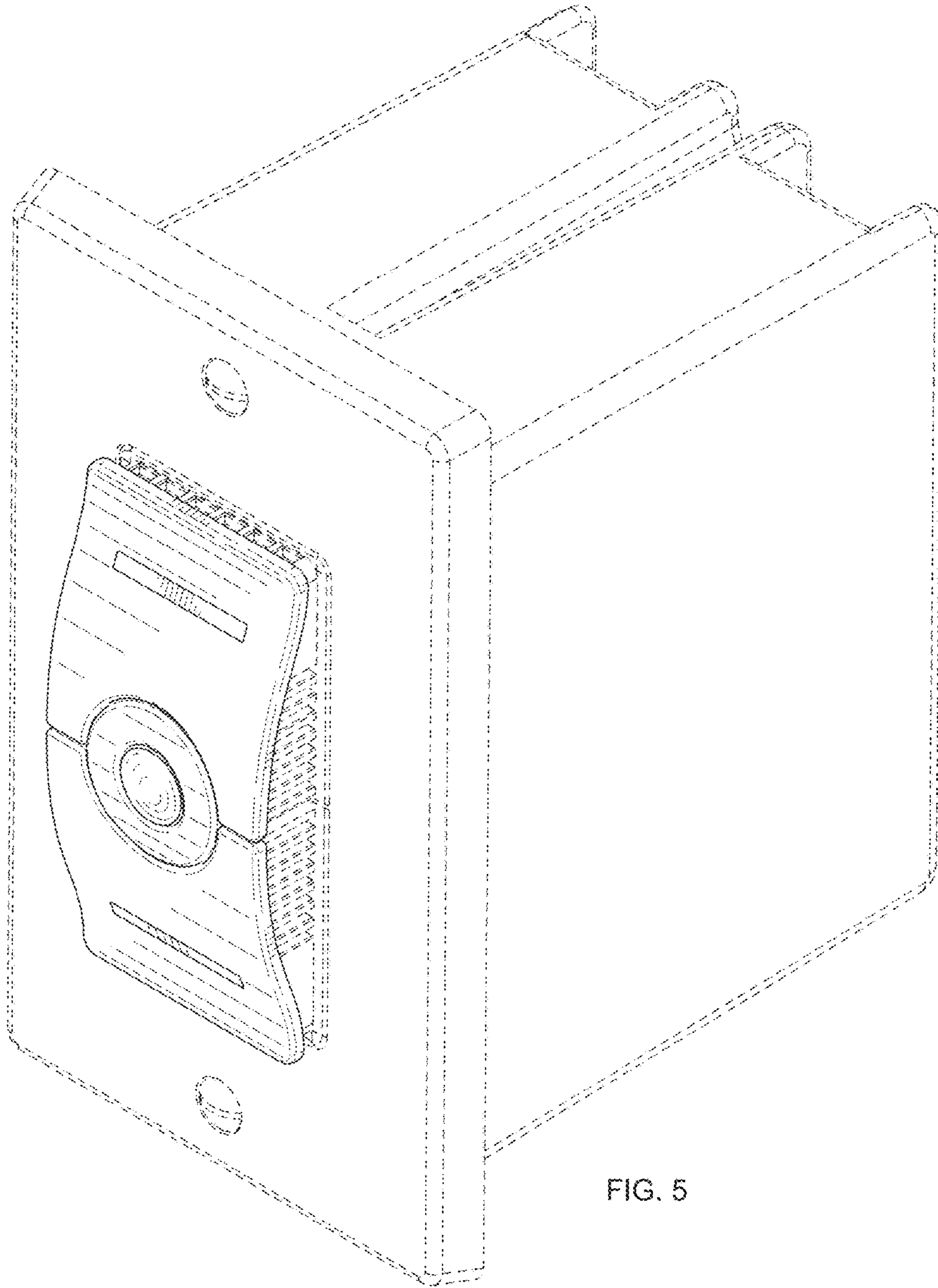


FIG. 5

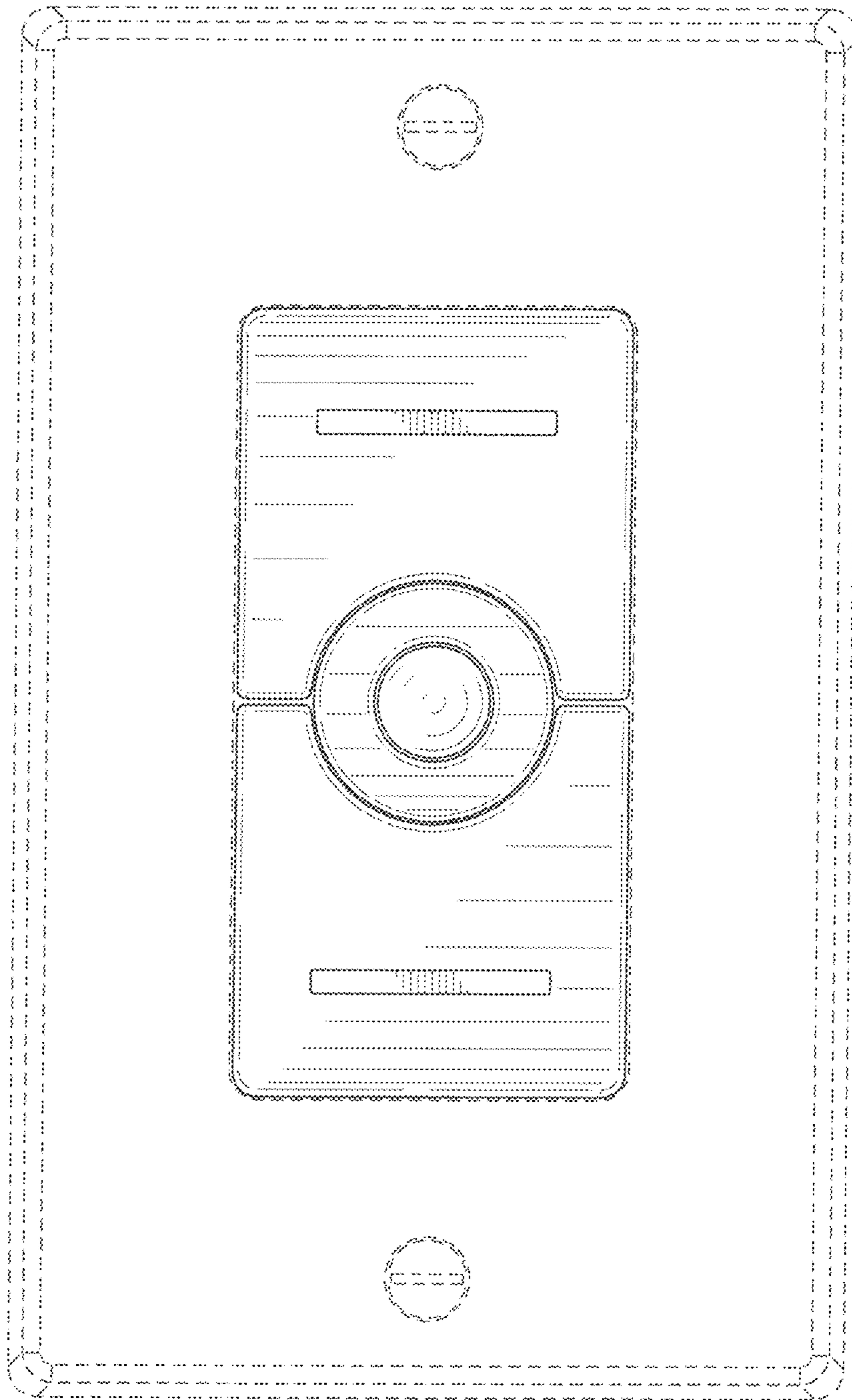


FIG. 6

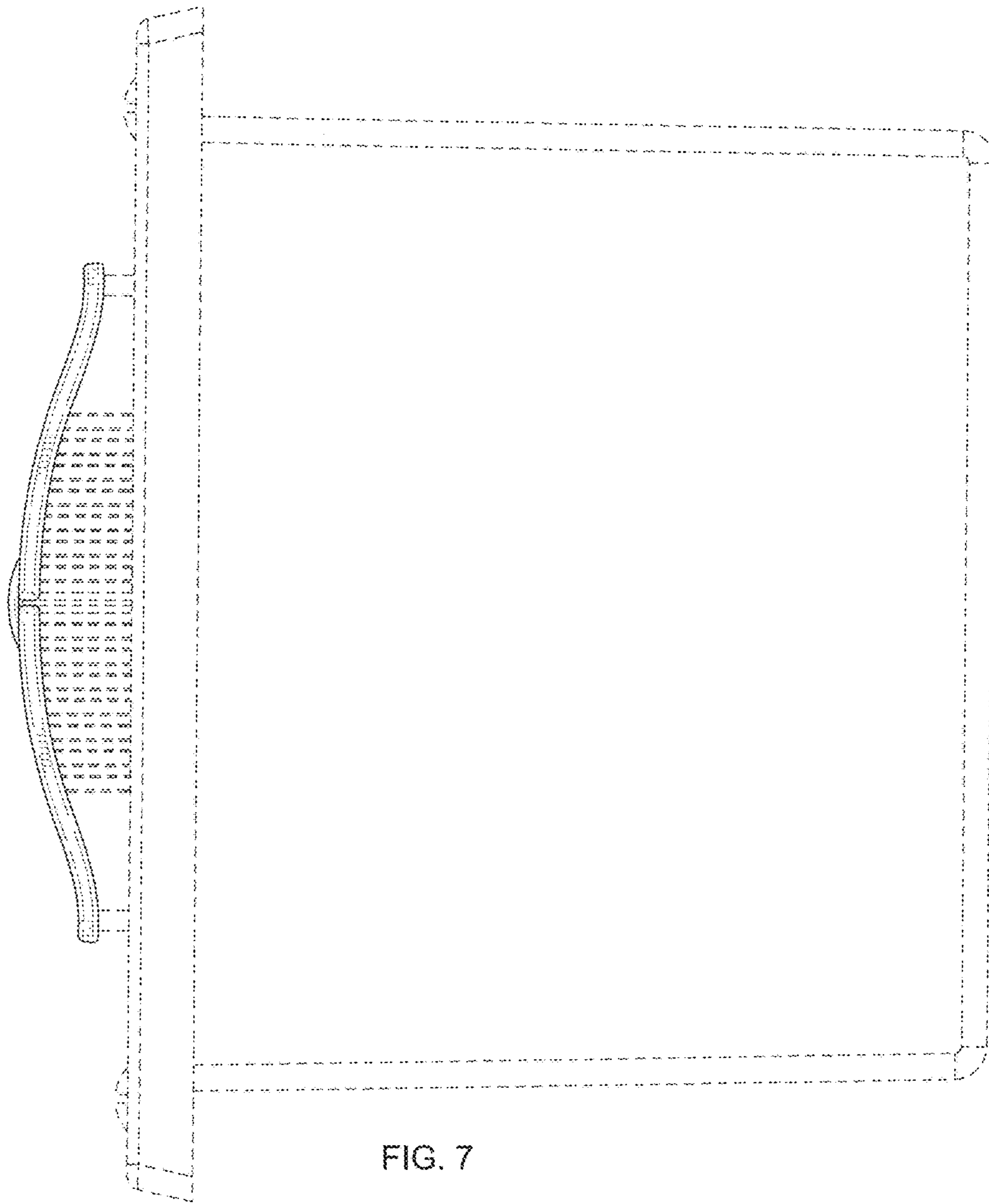


FIG. 7

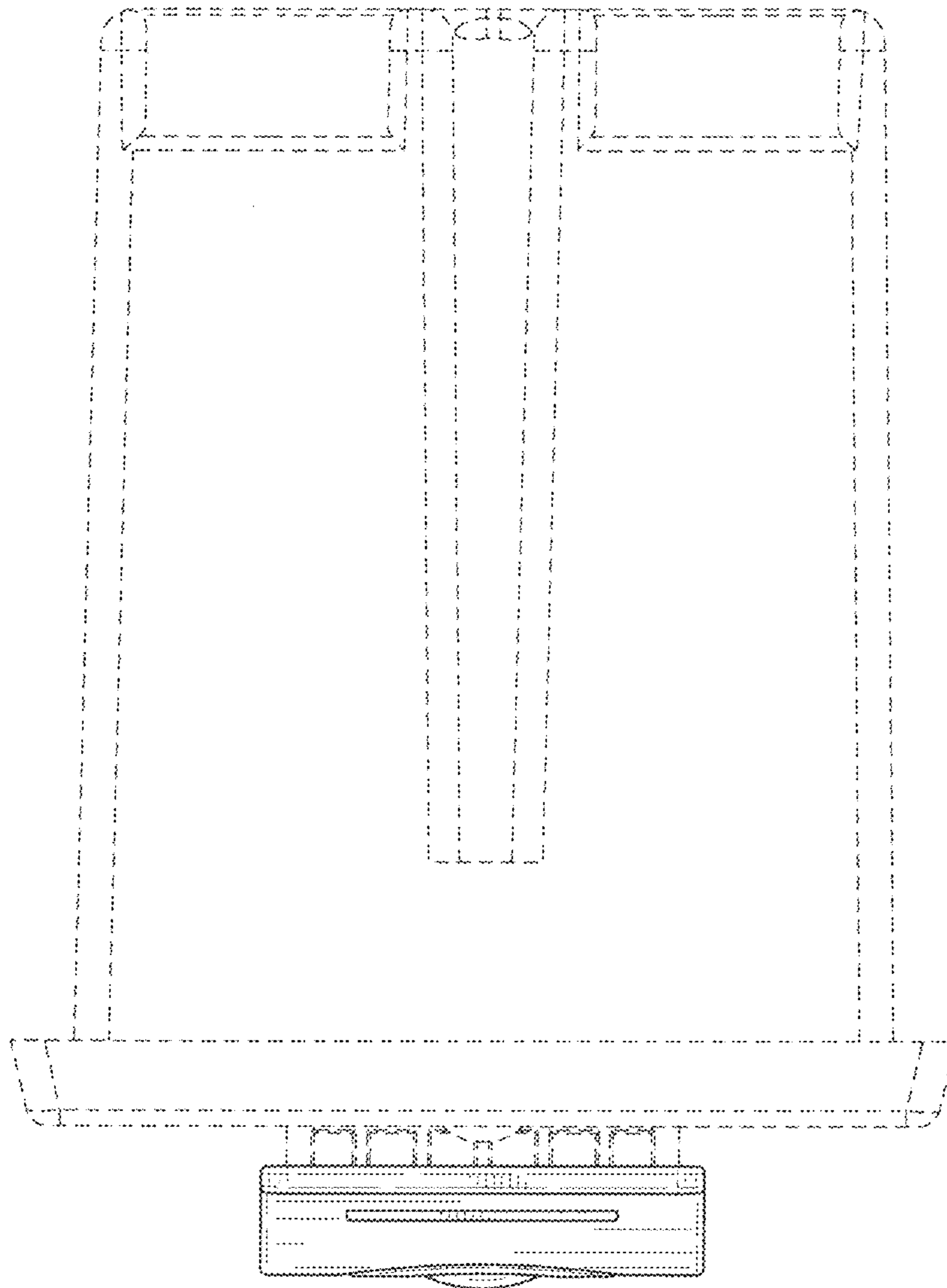


FIG. 8