



US00D810701S

(12) **United States Design Patent** (10) **Patent No.:** **US D810,701 S**
Baldwin et al. (45) **Date of Patent:** **** Feb. 20, 2018**

(54) **WALL-MOUNTED TOUCH PAD CONTROL FOR LIGHTING AND HOME AUTOMATION**

(71) Applicant: **Ube, Inc.**, Austin, TX (US)

(72) Inventors: **Utz D. Baldwin**, Austin, TX (US);
Glen A. Burchers, Austin, TX (US);
Richard M. Warwick, Austin, TX (US);
Daniel J. Kupersztoch, Austin, TX (US);
Guy J. Raz, Austin, TX (US)

(73) Assignee: **UBE INC.**, Austin, TX (US)

(**) Term: **15 Years**

(21) Appl. No.: **29/589,464**

(22) Filed: **Dec. 30, 2016**

Related U.S. Application Data

(63) Continuation-in-part of application No. 14/198,279, filed on Mar. 5, 2014, now abandoned.

(51) **LOC (11) Cl.** **13-03**

(52) **U.S. Cl.**
USPC **D13/162**

(58) **Field of Classification Search**
USPC D13/162, 164, 171, 177; D10/26, 50
CPC .. H01H 3/12; H01H 9/02; H01H 9/16; H01H 9/18; H01H 9/181; H01H 9/182; H01H 13/04; H01H 13/14; H01H 2009/187; H05B 37/02; H05B 37/0209; H05B 37/0245; H05B 37/0254; H05B 37/0272; H05B 39/02; H05B 39/04; H05B 39/085; H05B 39/086; H05B 39/088; H03K 17/962; G08C 17/02

See application file for complete search history.

(56) **References Cited**

U.S. PATENT DOCUMENTS

D336,744 S *	6/1993	Kahn	D13/158
D515,448 S *	2/2006	Nelson	D10/114.1
D516,040 S *	2/2006	Moye	D13/162
D583,337 S *	12/2008	Ni	D13/171

(Continued)

Primary Examiner — Selina Sikder
(74) *Attorney, Agent, or Firm* — Michael Best & Friedrich LLP

(57) **CLAIM**

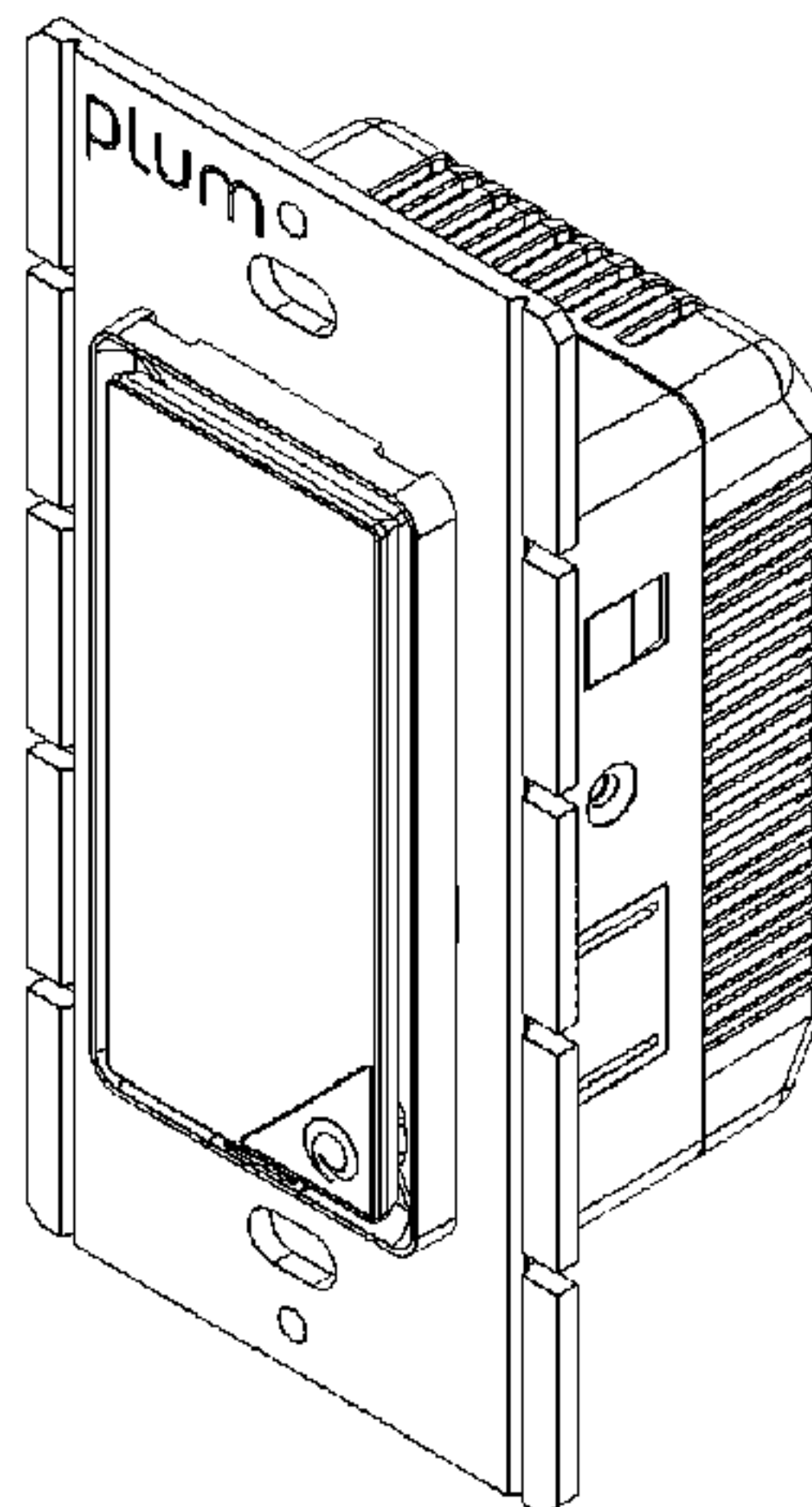
We claim the ornamental design for the wall-mounted touchpad control for lighting and home automation, as shown and described.

DESCRIPTION

FIG. 1 is a front view of a wall-mounted touchpad control for lighting and home automation showing the new design; FIG. 2 is a perspective view thereof; FIG. 3 is a left side view thereof; FIG. 4 is a right side view thereof, opposite the left side; FIG. 5 is a top view thereof; FIG. 6 is a bottom view thereof; FIG. 7 is a rear view thereof, opposite the front view; FIG. 8 is a close front view of a bottom portion of a wall-mounted touchpad control for lighting and home automation showing the new design; FIG. 9 is a close front and right perspective view of a wall-mounted touchpad control for lighting and home automation showing the new design; FIG. 10 is a rear and right perspective view of a wall-mounted touchpad control for lighting and home automation showing the new design; and, FIG. 11 is another perspective view showing the right and front of a wall-mounted touchpad control for lighting and home automation showing the new design.

The present application is directed to the design illustrated in the figures. The dotted radiating lines of FIG. 1 represent illumination and form no part of the claimed design.

1 Claim, 11 Drawing Sheets



(56)

References Cited

U.S. PATENT DOCUMENTS

8,525,372 B2 * 9/2013 Huang H01H 9/0271
200/329
D727,546 S * 4/2015 Goyal D13/177
D735,144 S * 7/2015 Restrepo D13/162
D735,402 S * 7/2015 Goyal D26/120
D768,578 S * 10/2016 Restrepo D13/162
2013/0030589 A1 * 1/2013 Pessina H05B 37/0272
700/295
2013/0257315 A1 * 10/2013 Restrepo H05B 37/0209
315/362
2014/0253483 A1 * 9/2014 Kupersztoch H05B 37/02
345/173
2017/0146730 A1 * 5/2017 O’Keeffe G02B 6/0095
2017/0257096 A1 * 9/2017 Lark, Jr. H03K 17/945

* cited by examiner

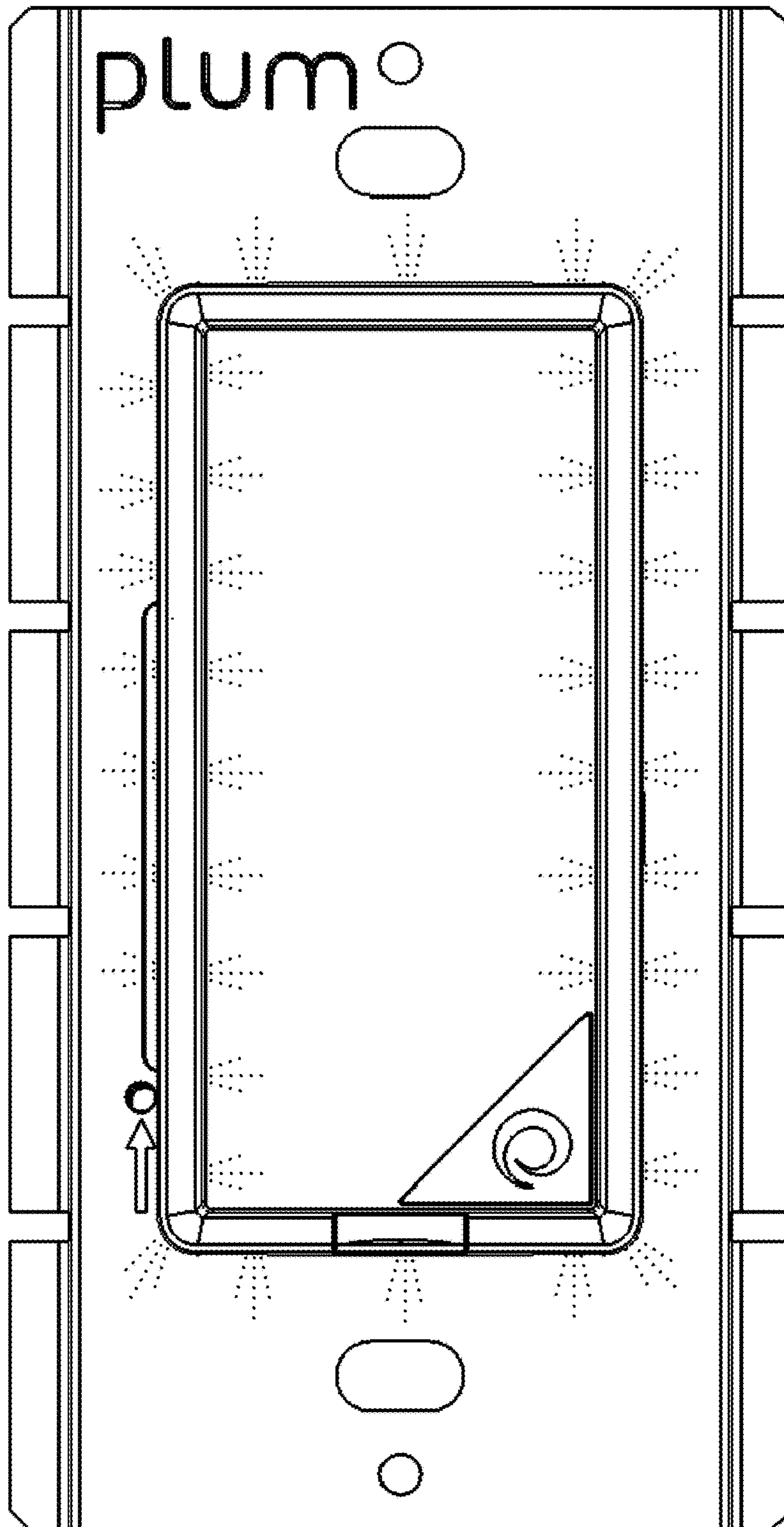


FIG. 1

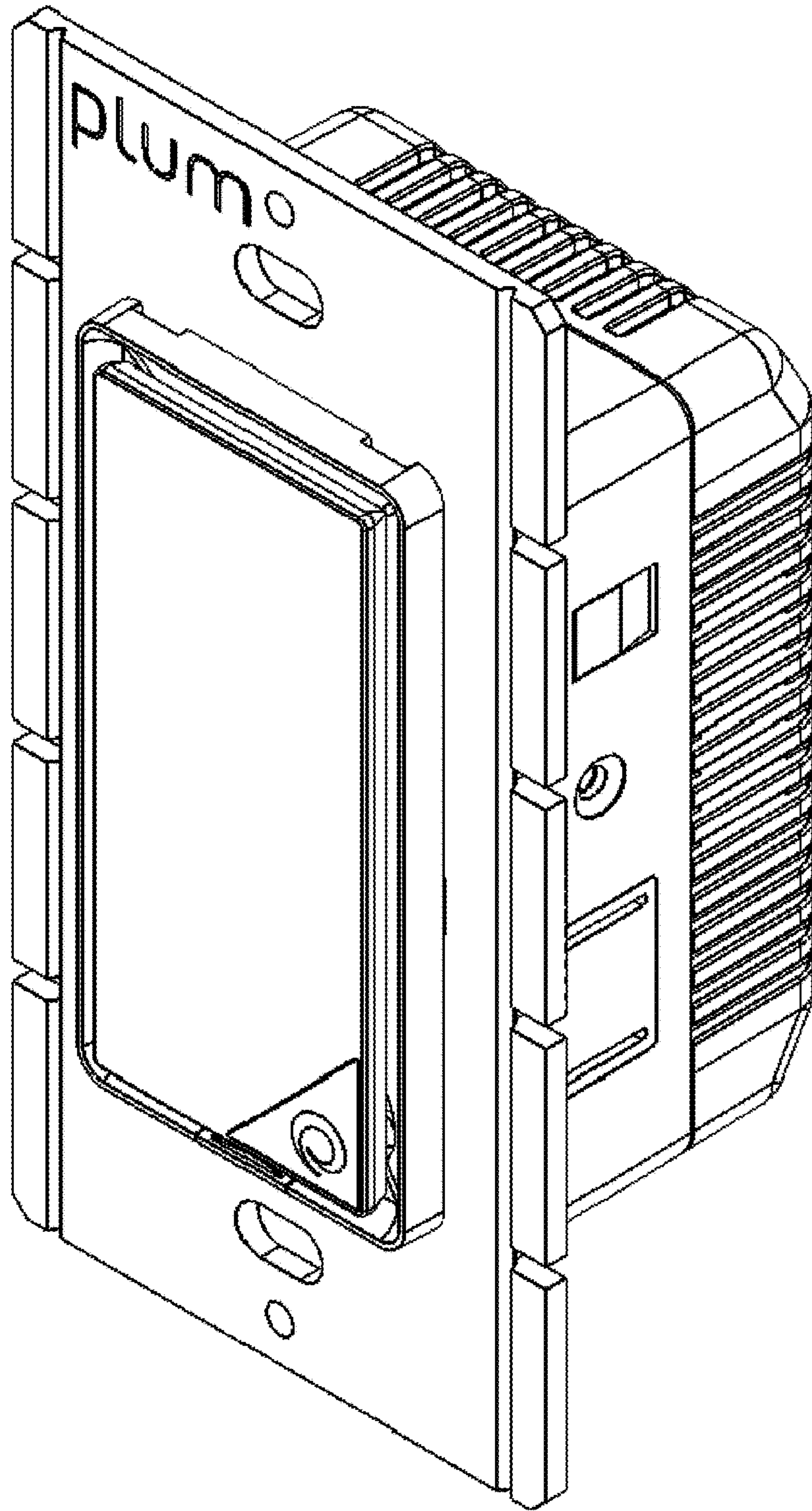


FIG. 2

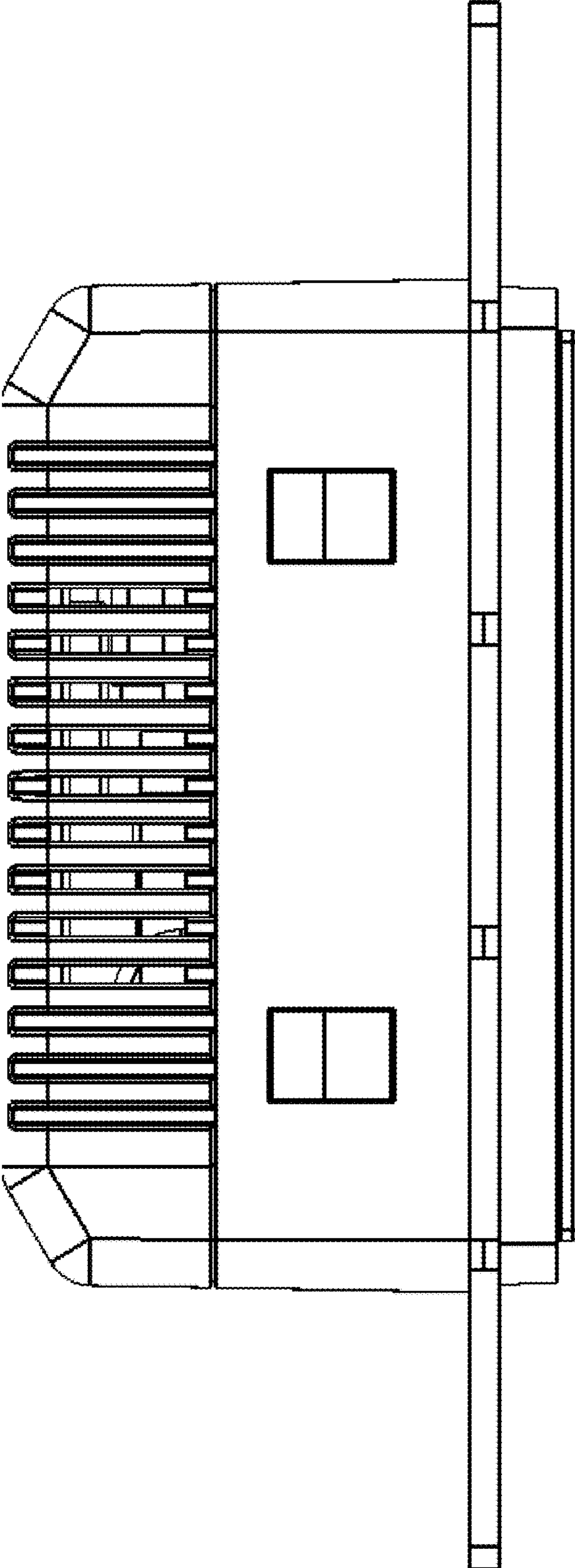


FIG. 3

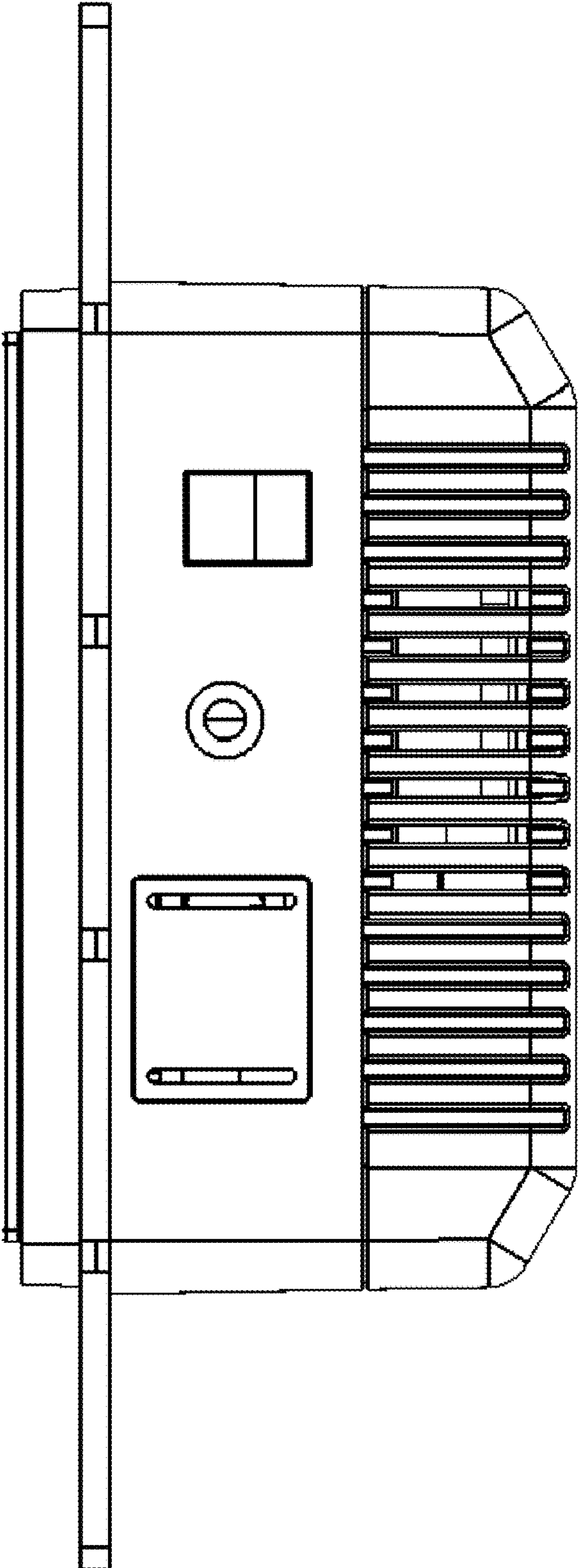


FIG. 4

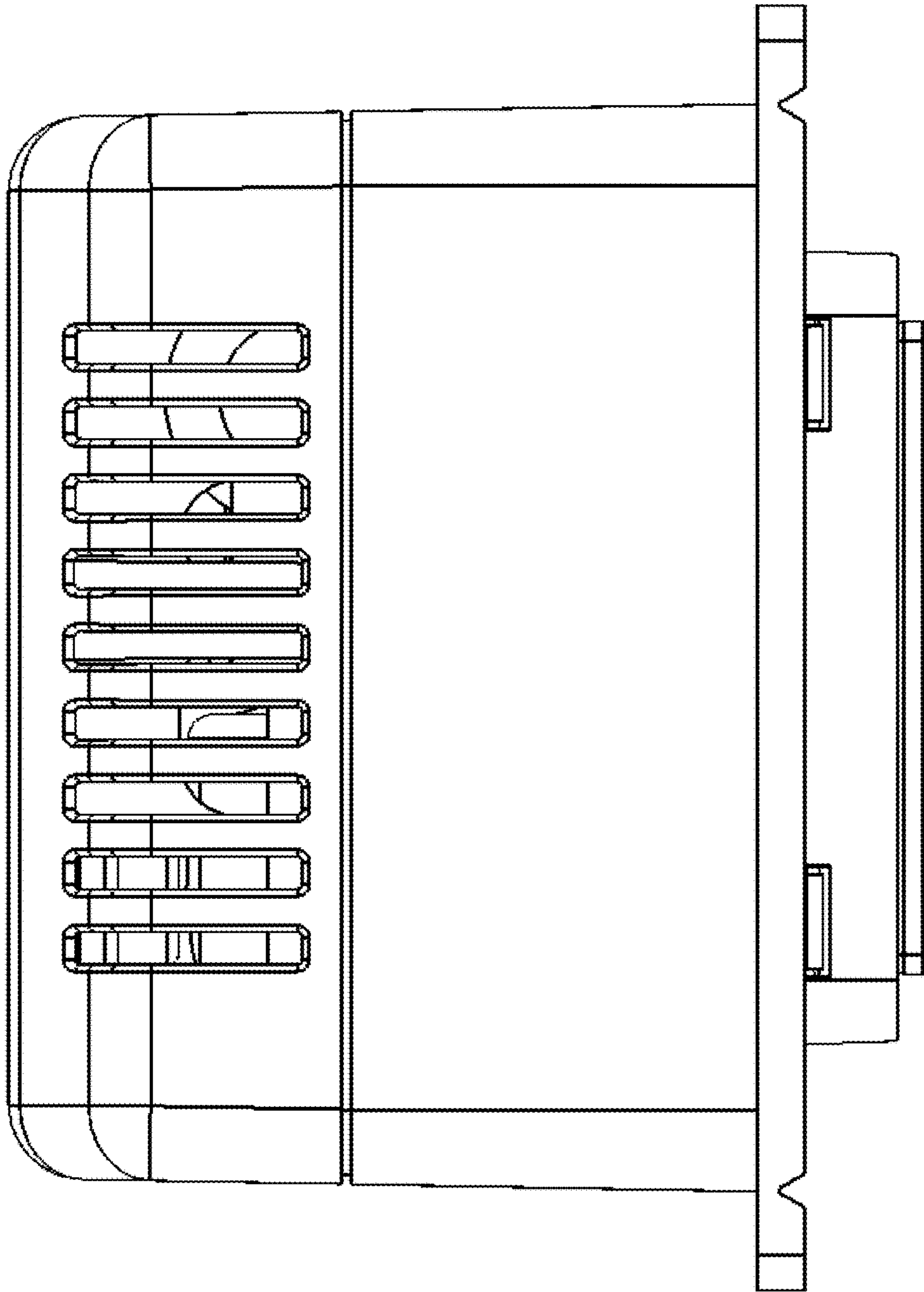


FIG. 5

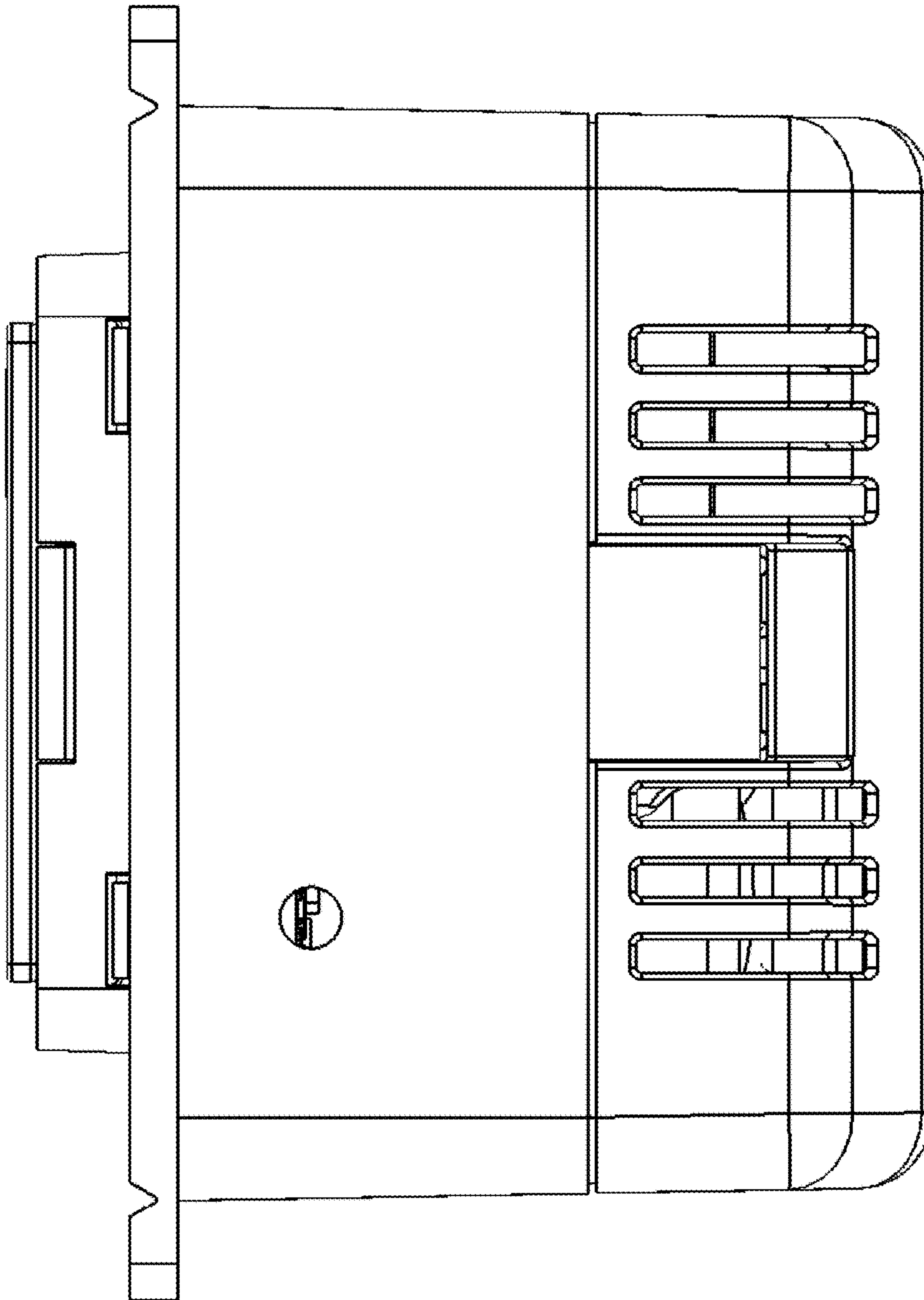


FIG. 6

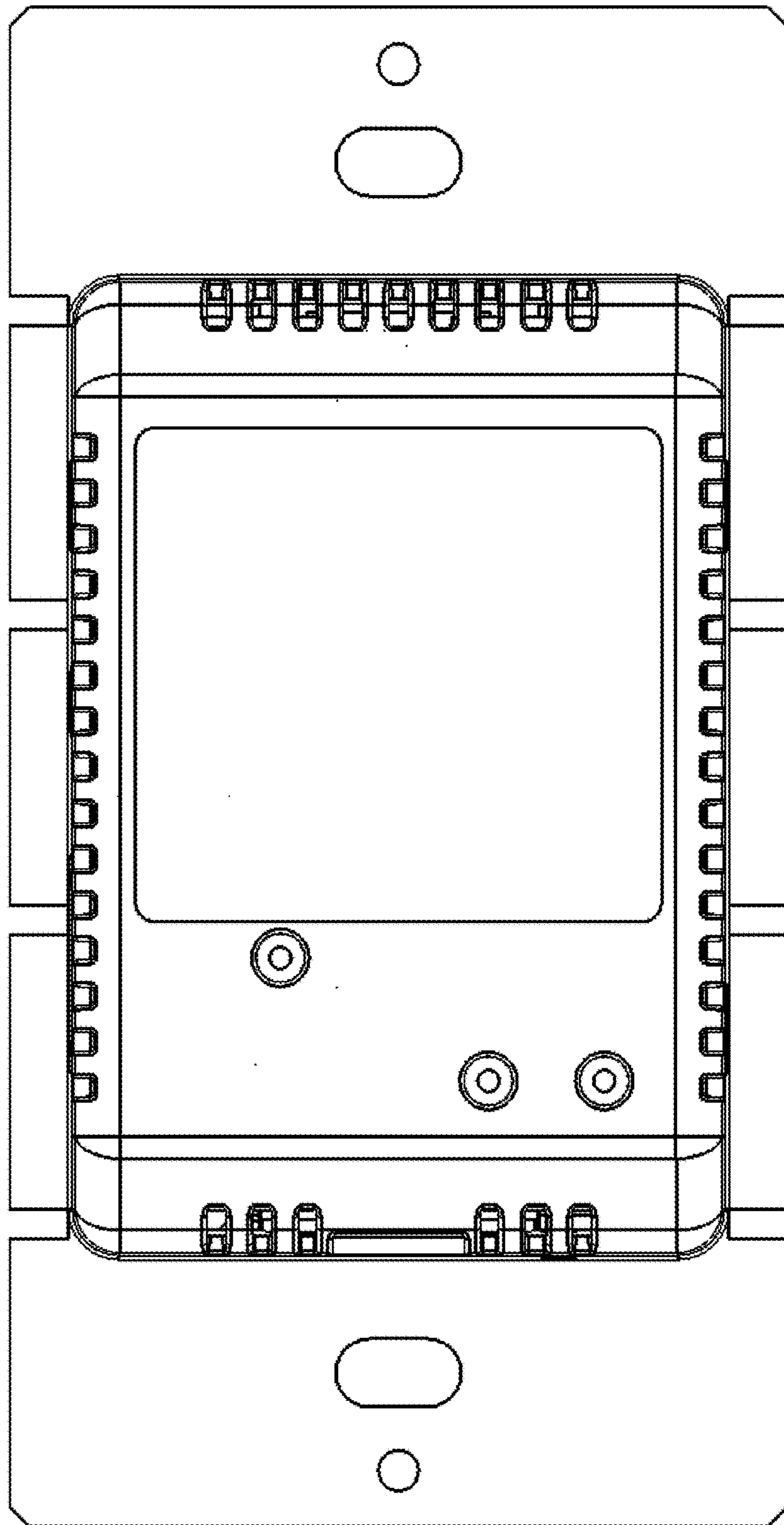


FIG. 7

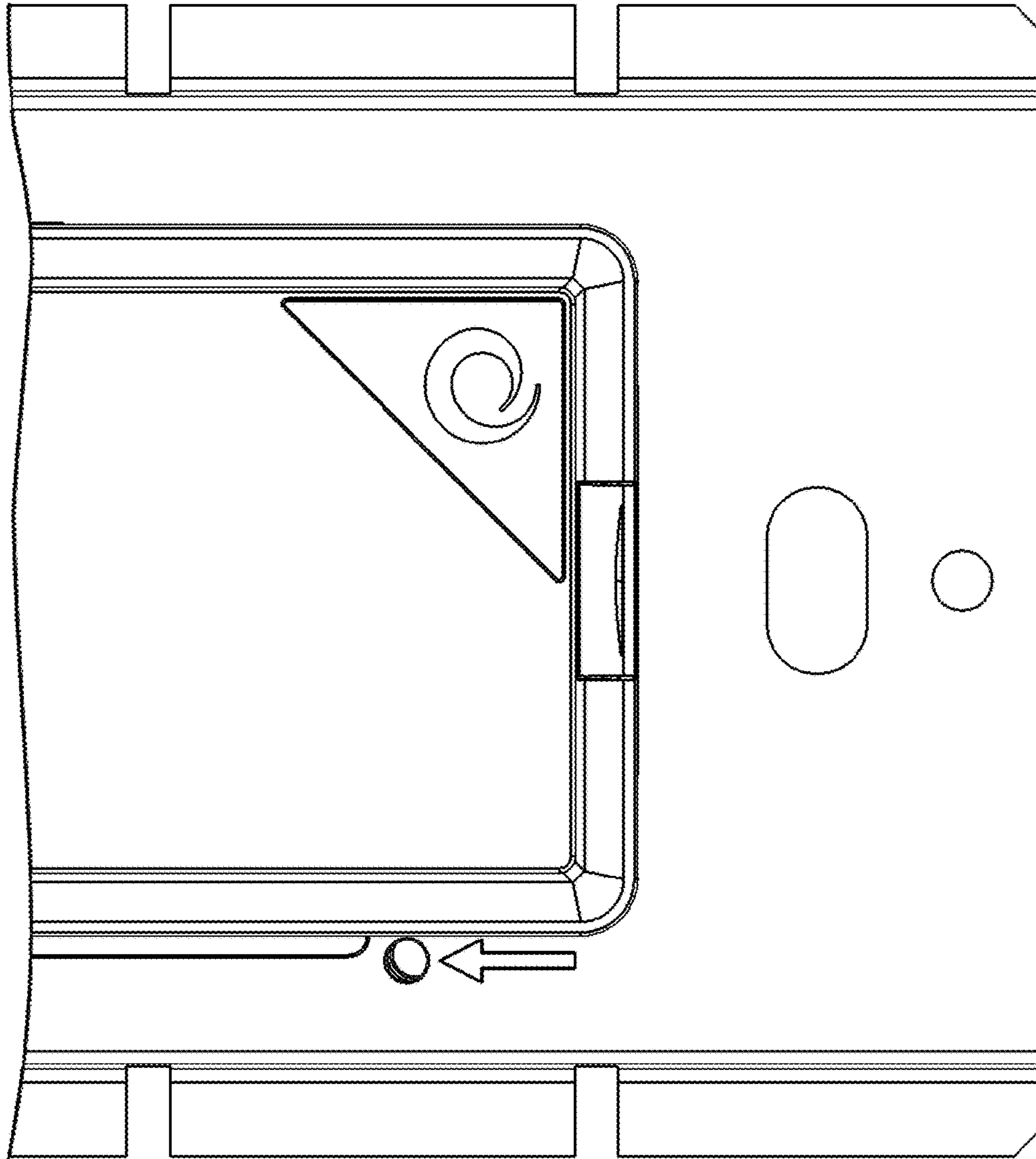


FIG. 8

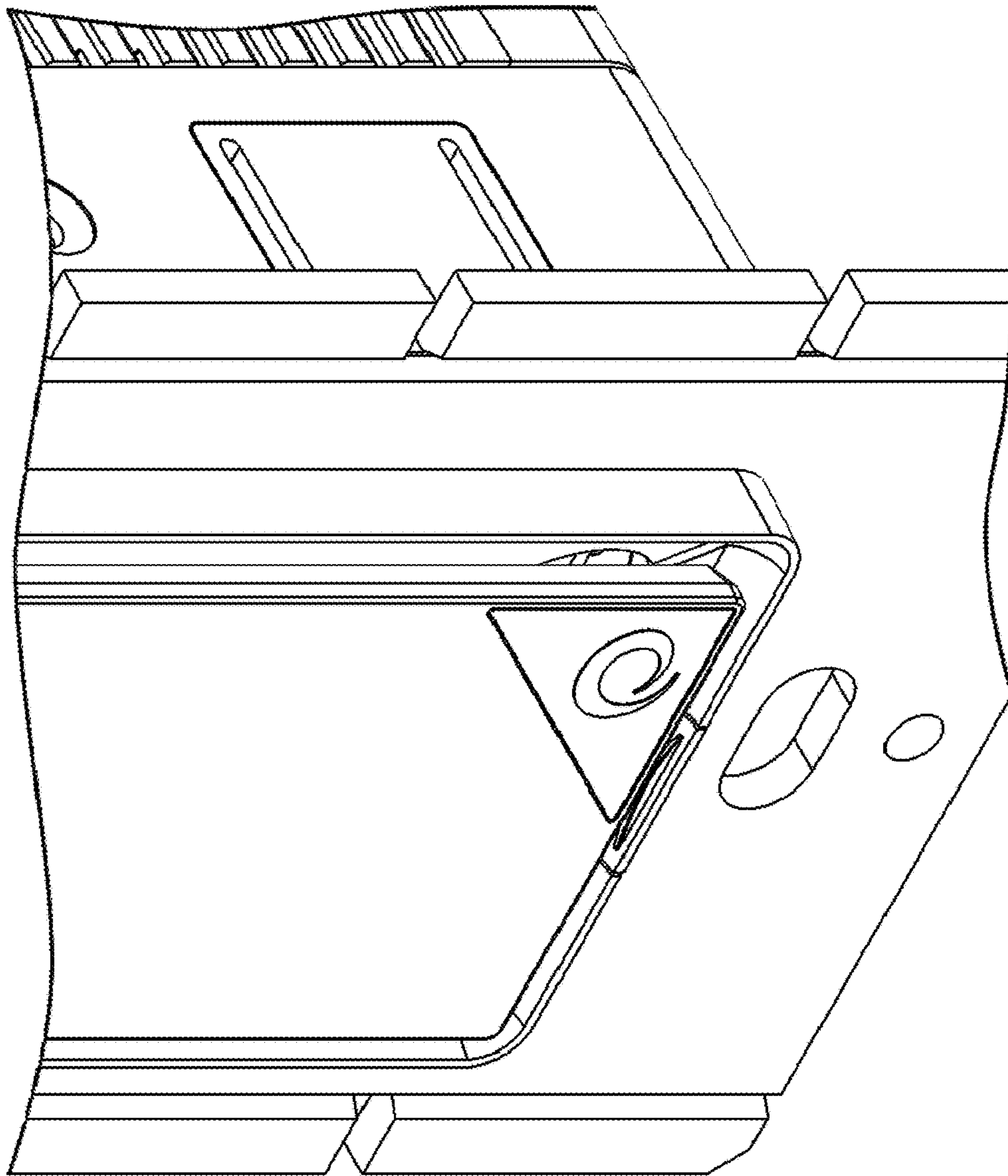


FIG. 9

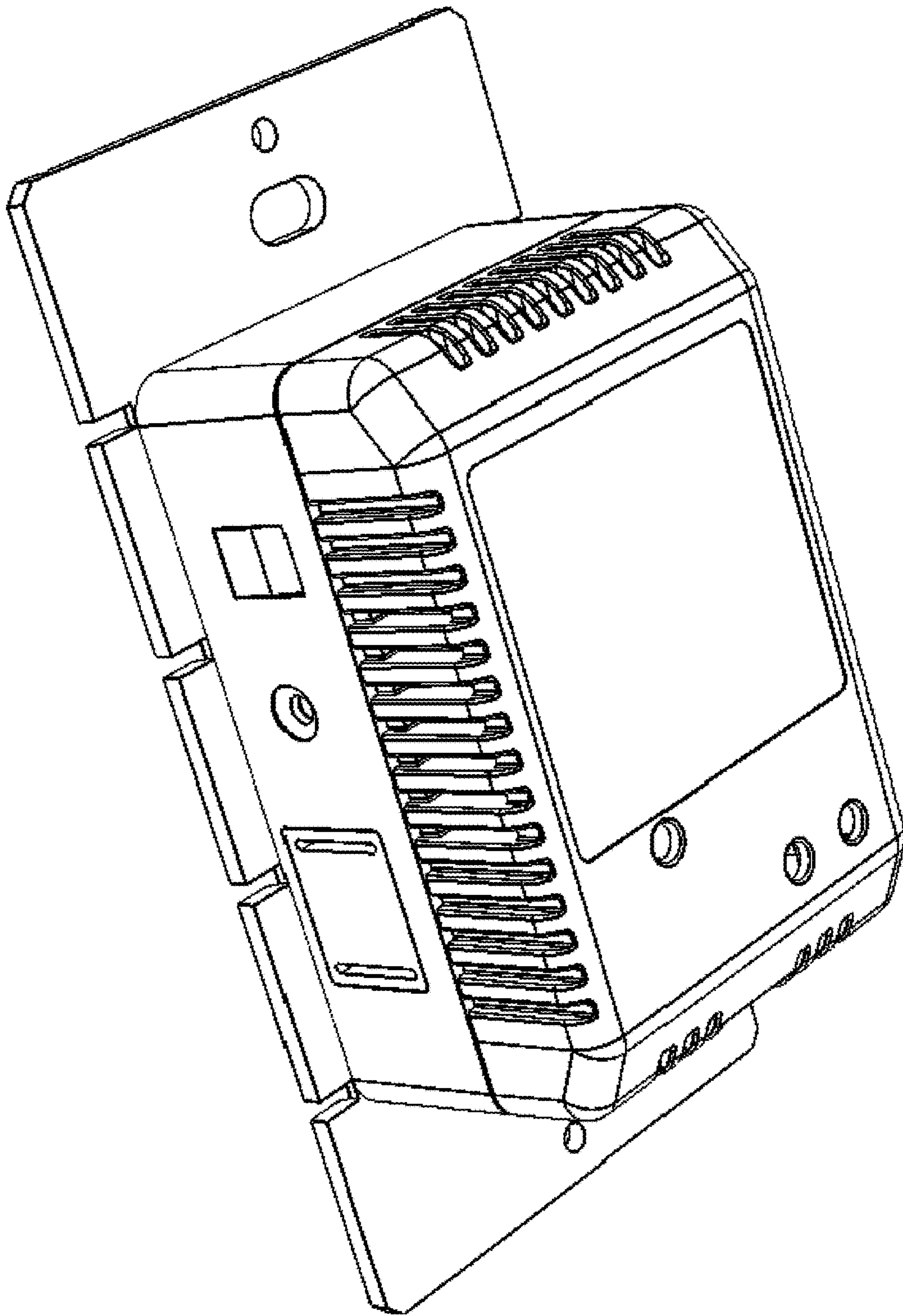


FIG. 10

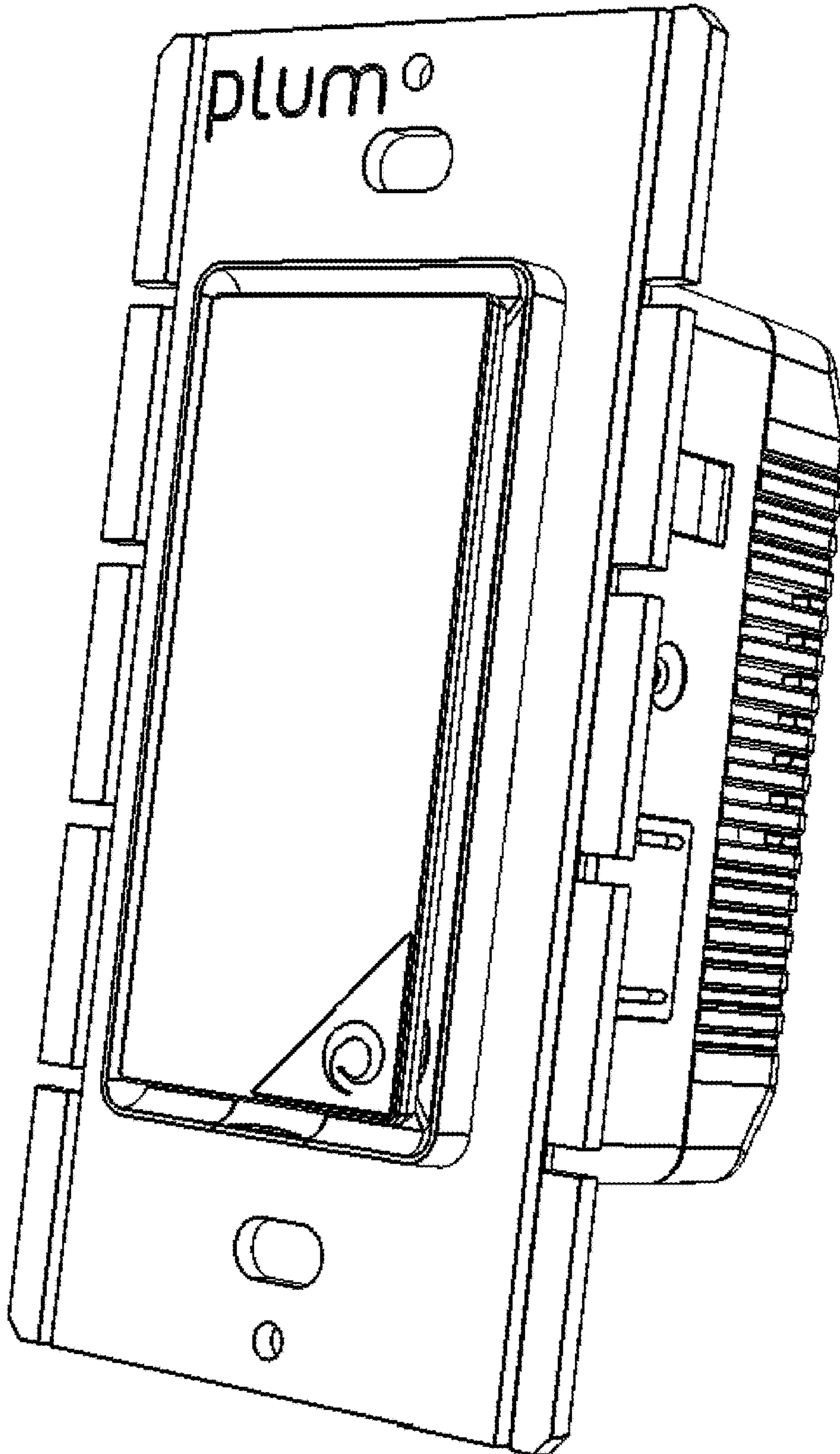


FIG. 11