



US00D810700S

(12) **United States Design Patent** (10) **Patent No.:** **US D810,700 S**
Jenkins et al. (45) **Date of Patent:** **** Feb. 20, 2018**

(54) **IRRIGATION CONTROLLER**

(71) Applicant: **Rain Bird Corporation**, Azusa, CA (US)

(72) Inventors: **Robert H. Jenkins**, San Diego, CA (US); **John E. Price**, Tucson, AZ (US); **Adolfo Meza-Guinea**, Chula Vista, CA (US); **Paul E. Lierheimer**, Tucson, AZ (US); **Charles S. Curbun**, Encinitas, CA (US); **Lee-Anne Stossell**, Aliso Viejo, CA (US); **William J. Leach**, San Diego, CA (US)

(73) Assignee: **Rain Bird Corporation**, Azusa, CA (US)

(**) Term: **15 Years**

(21) Appl. No.: **29/579,763**

(22) Filed: **Oct. 3, 2016**

(51) **LOC (11) Cl.** **13-03**

(52) **U.S. Cl.**
USPC **D13/162**

(58) **Field of Classification Search**
USPC D13/162, 164, 168, 184; D10/50
(Continued)

(56) **References Cited**

U.S. PATENT DOCUMENTS

D398,901 S 9/1998 Roman
5,921,280 A 7/1999 Ericksen

(Continued)

Primary Examiner — Selina Sikder

(74) *Attorney, Agent, or Firm* — Fitch, Even, Tabin & Flannery LLP

(57) **CLAIM**

We claim the ornamental design for an irrigation controller, as shown and described.

DESCRIPTION

FIG. 1 is a perspective view of a first embodiment of the irrigation controller of our new design in which the wires

extending the bottom thereof, the display screen, buttons, hanging structure, and back markings are illustrated in broken lines for illustrative purposes and form no part of the claimed design;

FIG. 2 is a front elevation view of the irrigation controller of FIG. 1;

FIG. 3 is a rear elevation view of the irrigation controller of FIG. 1;

FIG. 4 is a right side elevation of the irrigation controller of FIG. 1;

FIG. 5 is a left side elevation view of the irrigation controller of FIG. 1;

FIG. 6 is a top plan view of the irrigation controller of FIG. 1;

FIG. 7 is a bottom plan view of the irrigation controller of FIG. 1;

FIG. 8 is a perspective view of a second embodiment of the irrigation controller of our new design in which the wires extending the bottom thereof, the display screen, buttons, hanging structure, back markings, five design elements on the left and right side of the display/button region, and grips on the battery cap are illustrated in broken lines for illustrative purposes and form no part of the claimed design;

FIG. 9 is a front elevation view of the irrigation controller of FIG. 8;

FIG. 10 is a rear elevation view of the irrigation controller of FIG. 8;

FIG. 11 is a right side elevation of the irrigation controller of FIG. 8;

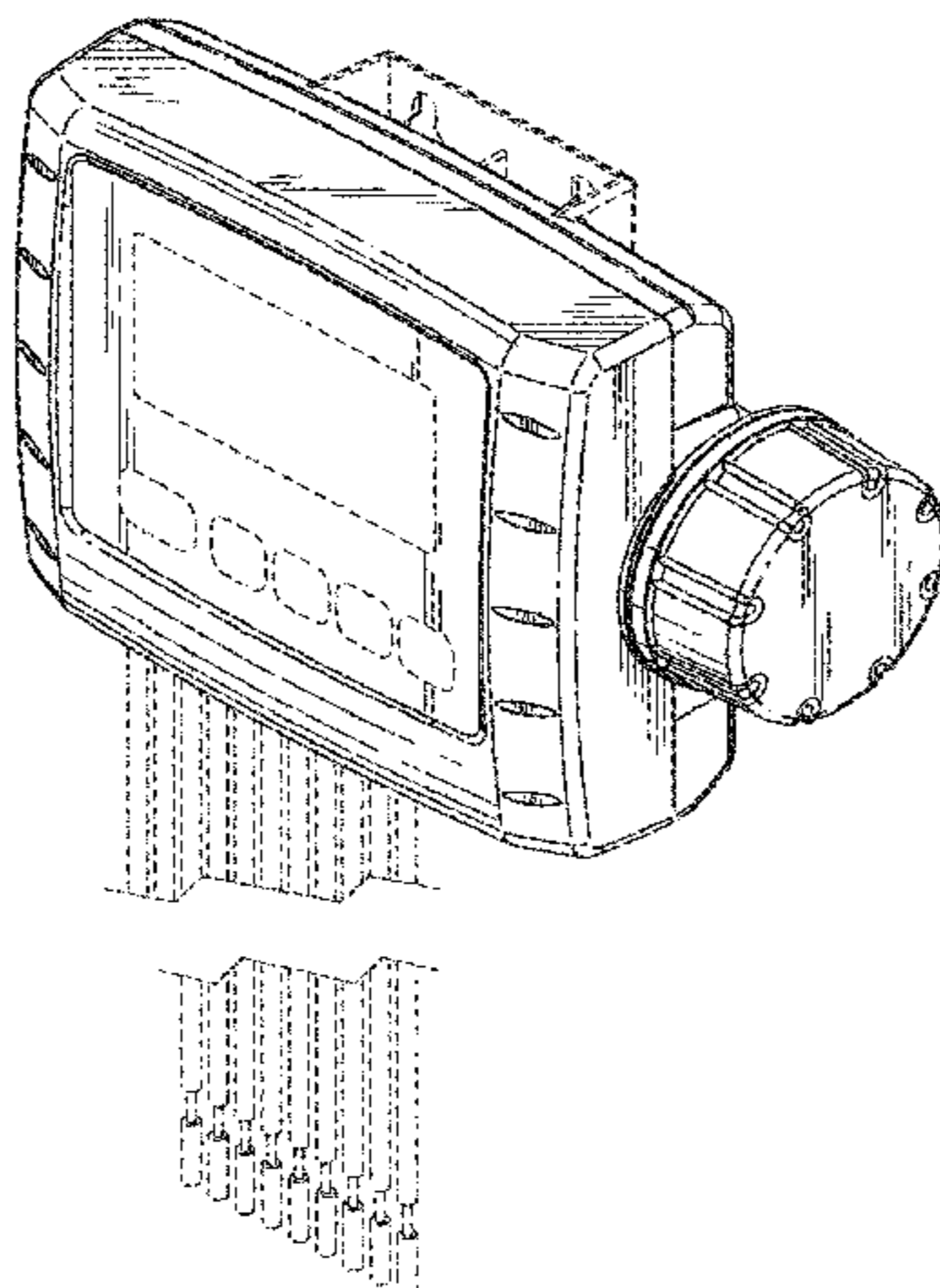
FIG. 12 is a left side elevation view of the irrigation controller of FIG. 8;

FIG. 13 is a top plan view of the irrigation controller of FIG. 8; and,

FIG. 14 is a bottom plan view of the irrigation controller of FIG. 8.

The broken lines depict unclaimed environmental subject matter and form no part of the claimed design. It will be understood that all lines, including broken and solid lines, are intended to convey the full disclosure and variations of the designs and such variations shall be understood to be fully described herein. It will also be understood that any and all broken lines may be converted to solid lines, any and

(Continued)



US D810,700 S

Page 2

all solid lines converted to broken lines, whether in subsequent division or continuation applications and/or by amendment.

1 Claim, 10 Drawing Sheets

(58) Field of Classification Search

CPC A01G 25/16; A01G 25/165; A01G 25/167;
H05K 5/0017; G05B 19/02; G05B 19/04;
G05B 19/042; G05B 19/0423; G05B
19/0426; G05B 19/108; G05B 2219/2625;
Y10T 137/86389

See application file for complete search history.

(56) References Cited

U.S. PATENT DOCUMENTS

5,956,248 A 9/1999 Williams
D431,535 S * 10/2000 Kubis D13/164
D442,559 S 5/2001 Marcomini
D452,695 S 1/2002 Miller
D477,287 S 7/2003 Roman
D484,465 S 12/2003 Ventress
D492,264 S 6/2004 Perez
D512,966 S 12/2005 Cook

D517,020 S 3/2006 Cook
7,225,058 B1 5/2007 Porter
D546,772 S 7/2007 Venegas
D556,150 S * 11/2007 Roman D13/162
D564,456 S 3/2008 Weiler
D580,373 S 11/2008 Stange
D581,880 S 12/2008 Neitzel
D608,301 S 1/2010 Clark
D613,255 S 4/2010 Paul
D621,794 S 8/2010 Haeske
D622,709 S 8/2010 Hern
7,792,612 B2 9/2010 Kah, Jr.
7,953,517 B1 5/2011 Porter
8,867,194 B2 * 10/2014 Woytowitz H05K 5/0017
361/600
9,215,848 B2 * 12/2015 Brundisini A01G 25/16
D777,682 S * 1/2017 Miller D13/164
9,577,415 B1 * 2/2017 Veloskey H02G 3/14
D797,682 S * 9/2017 Sharp D13/162
2007/0208462 A1 9/2007 Kah
2008/0058964 A1 3/2008 Nickerson
2008/0071426 A1 3/2008 Perez
2008/0319585 A1 12/2008 Nickerson
2014/0018965 A1 * 1/2014 Pearson A01G 25/16
700/284
2014/0039697 A1 * 2/2014 Weiler A01G 25/16
700/284
2016/0282833 A1 * 9/2016 Wang G05B 19/108

* cited by examiner

FIG. 1

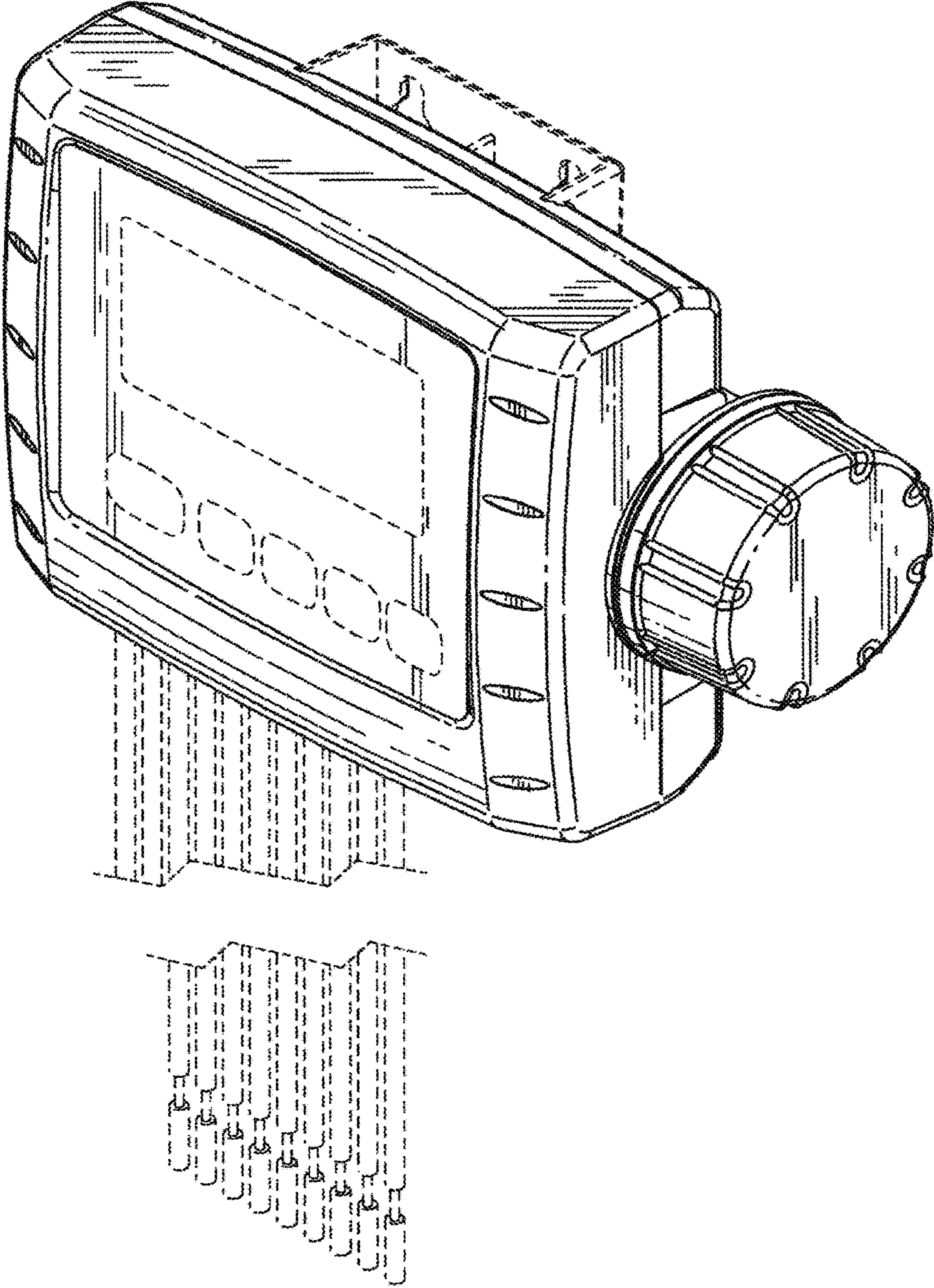


FIG. 2

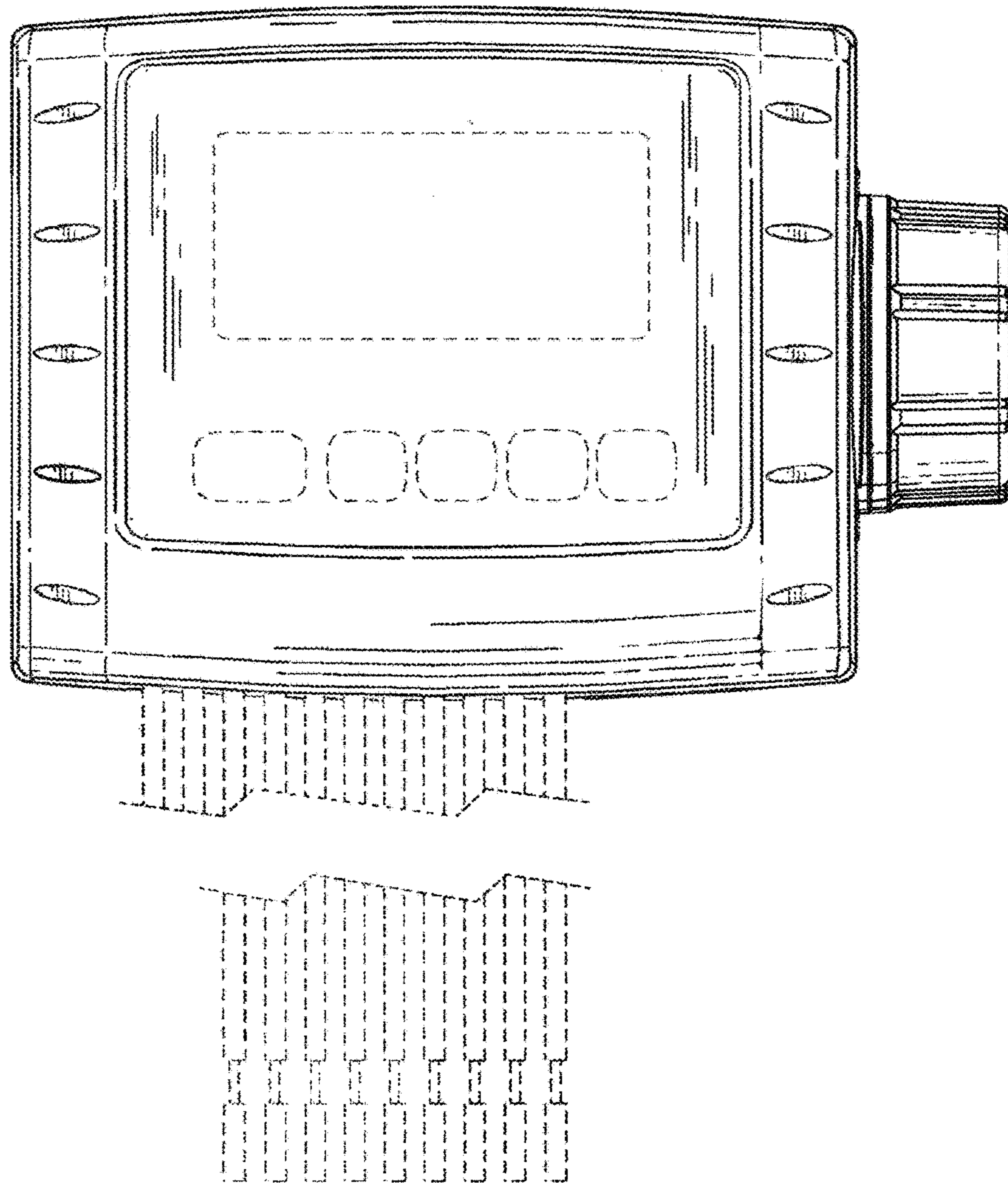


FIG. 3

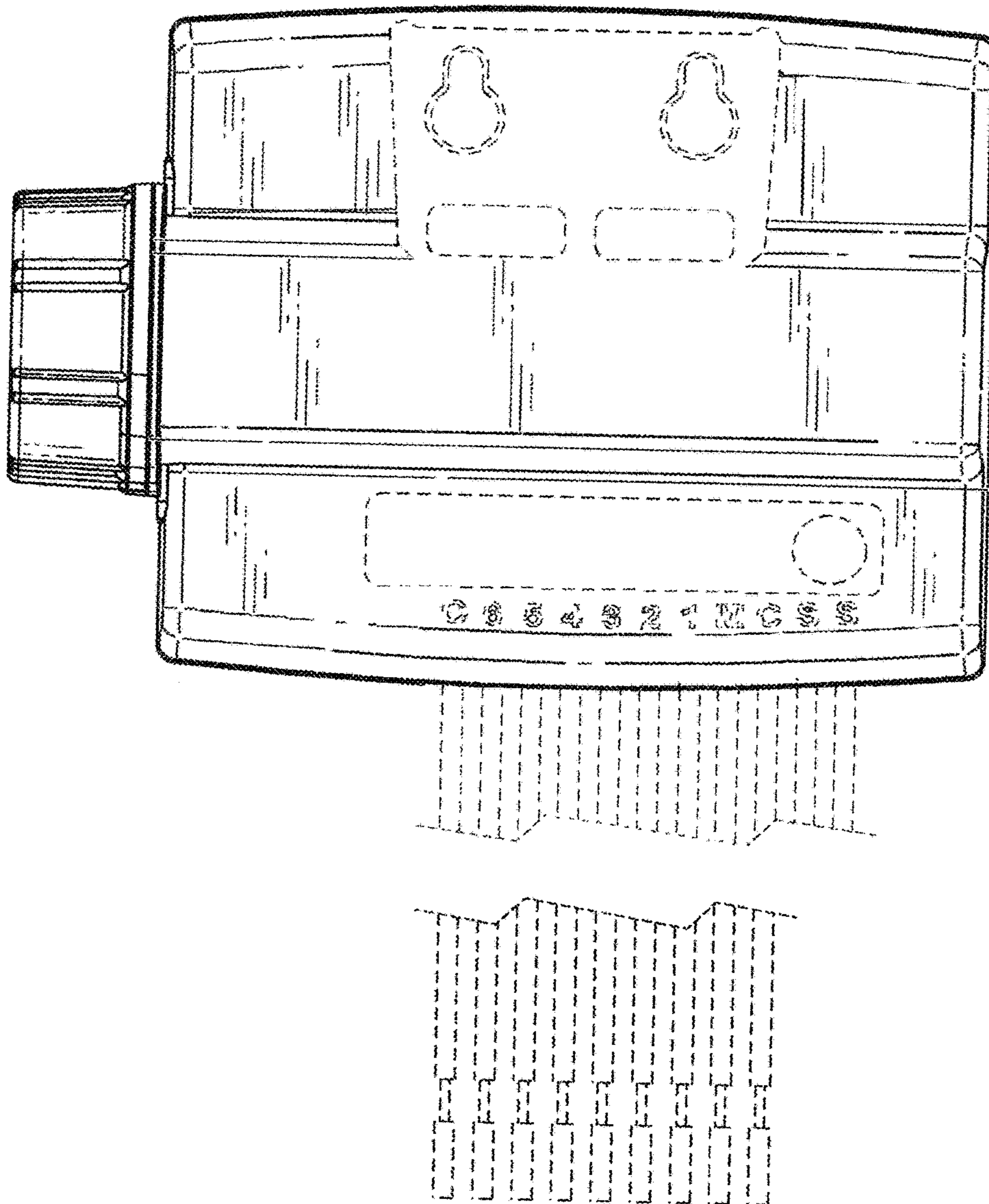


FIG. 4

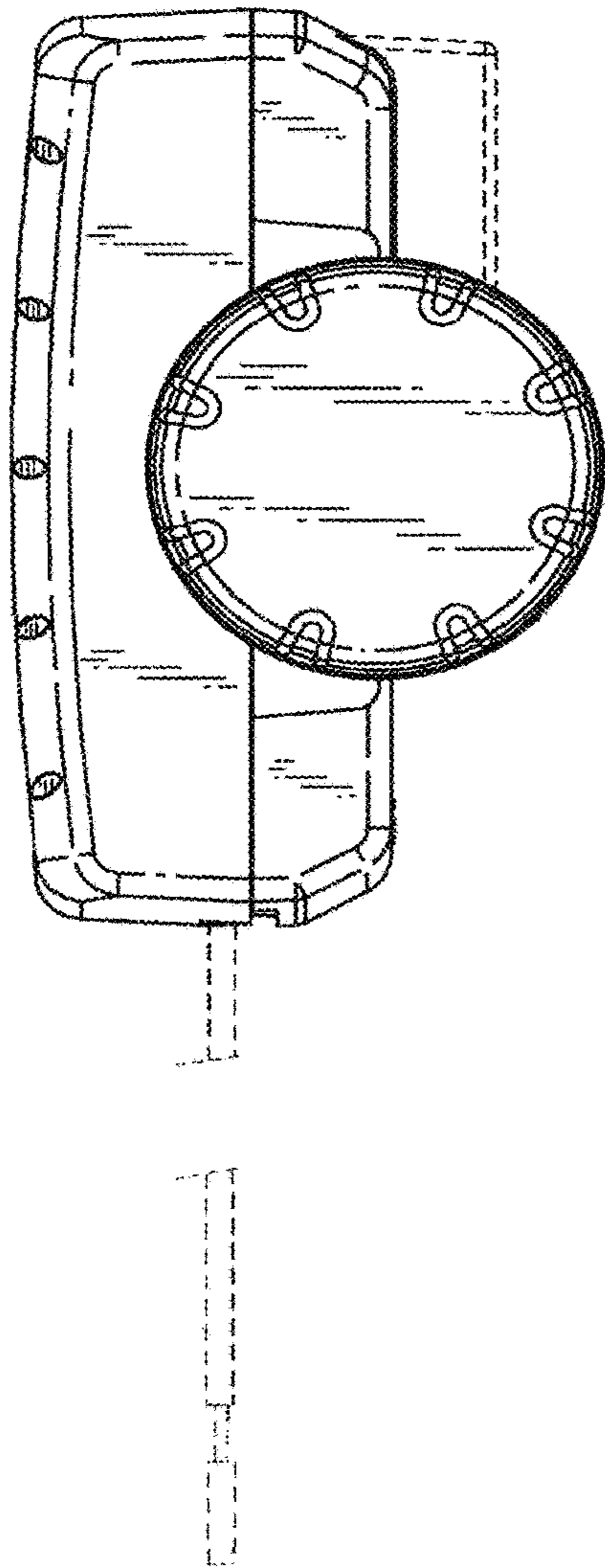


FIG. 5

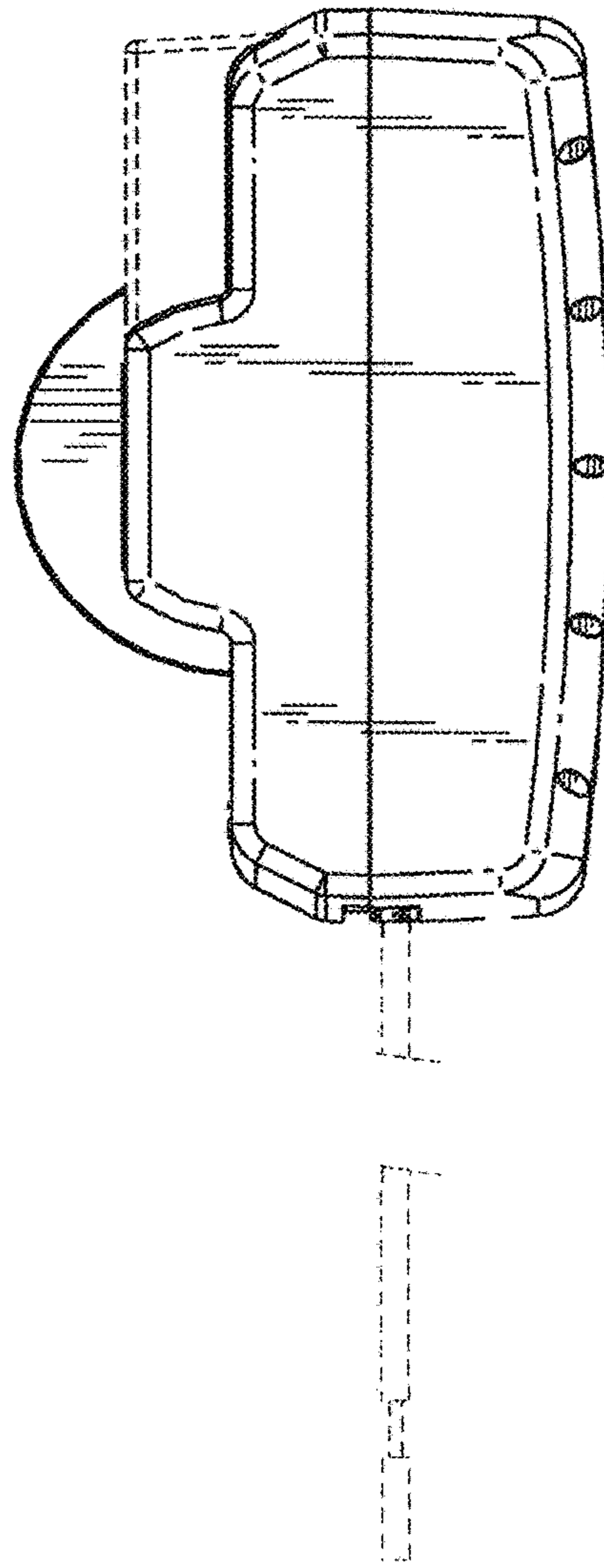


FIG. 6

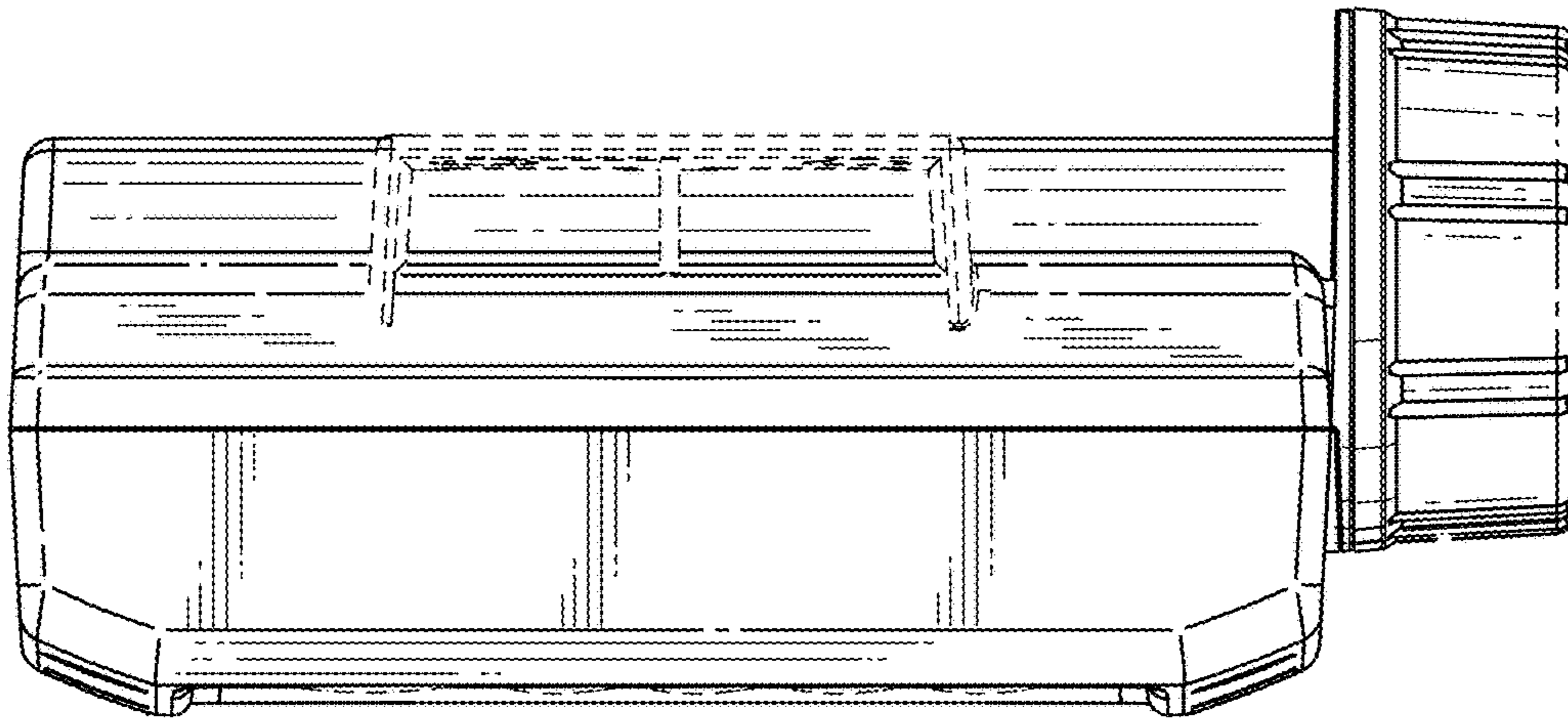


FIG. 7

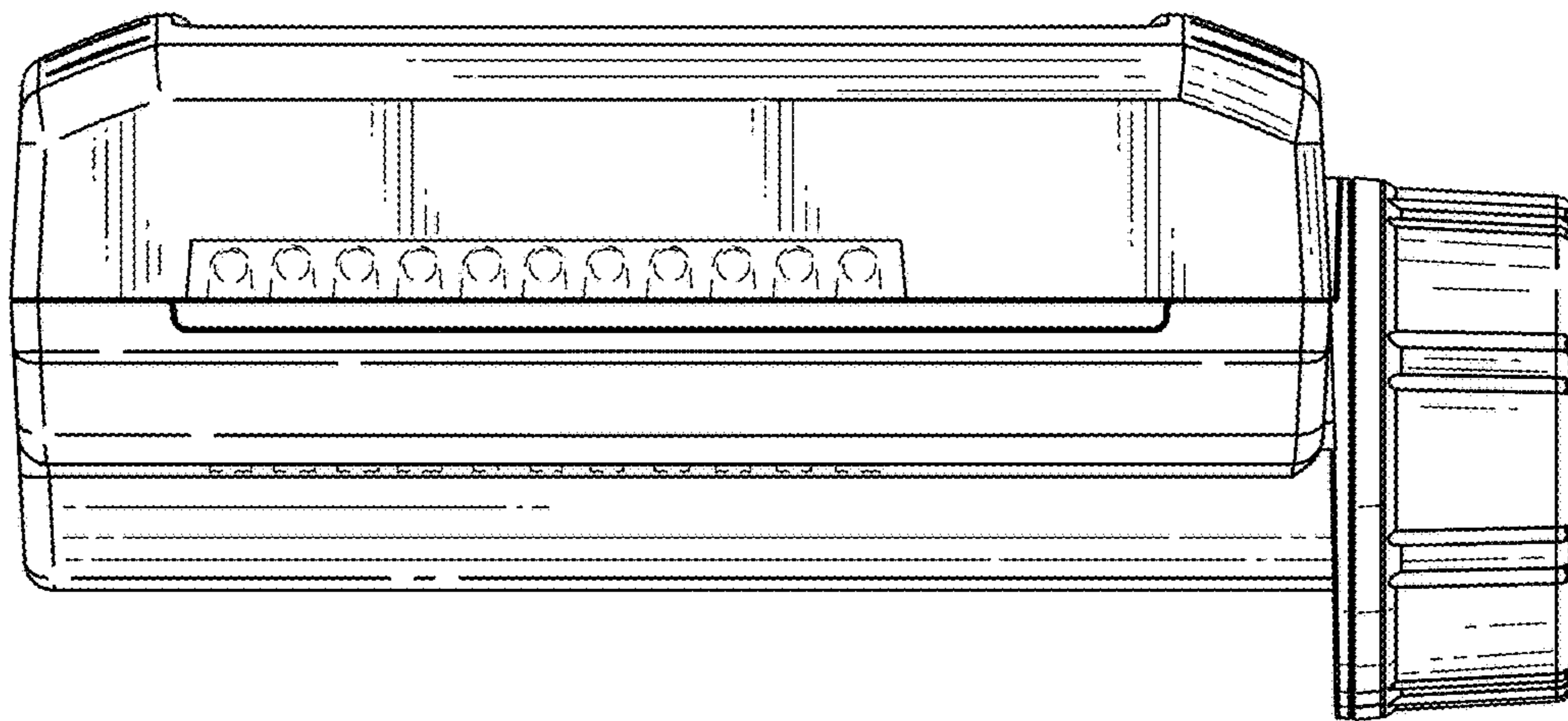


FIG. 8

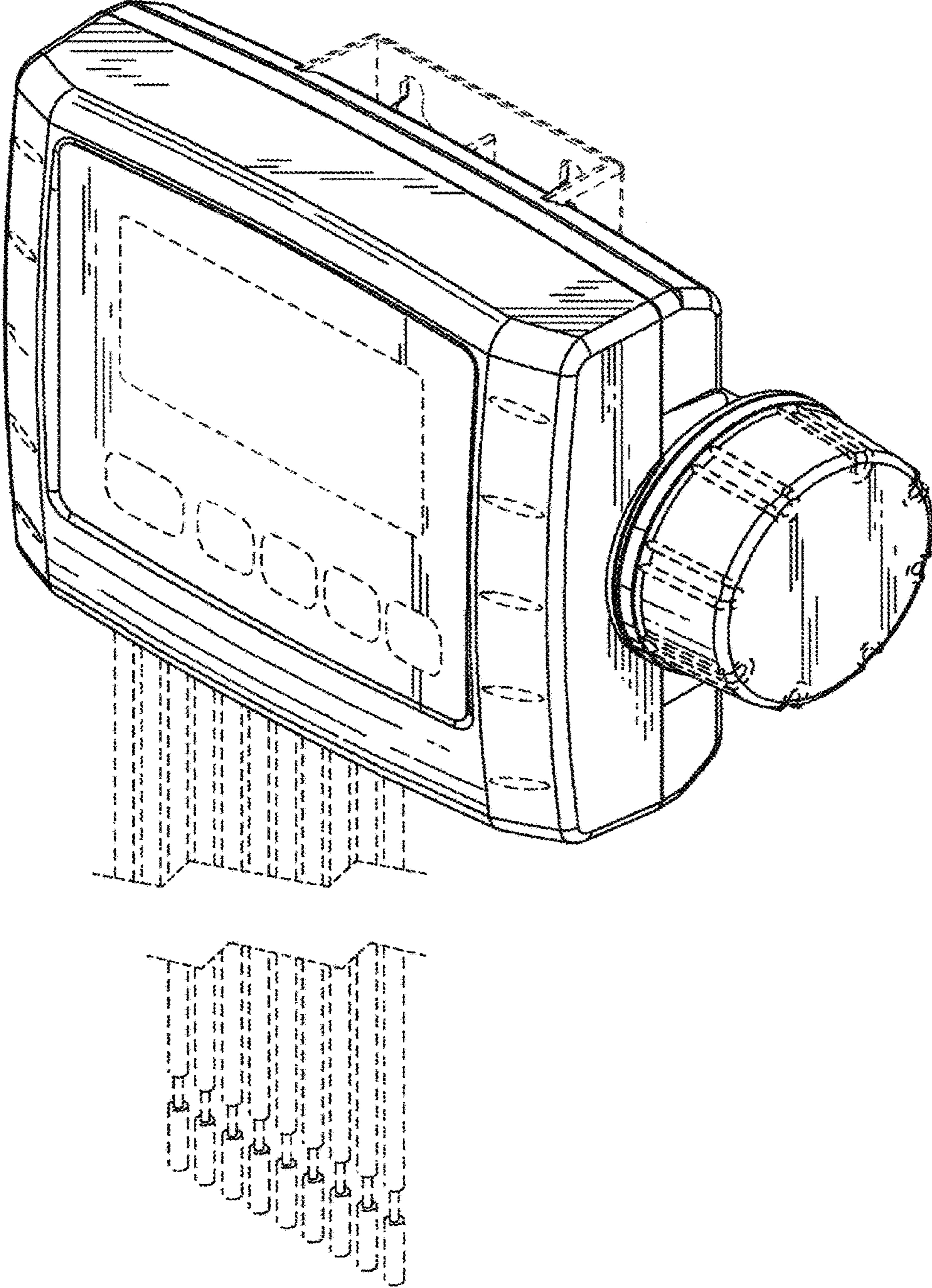


FIG. 9

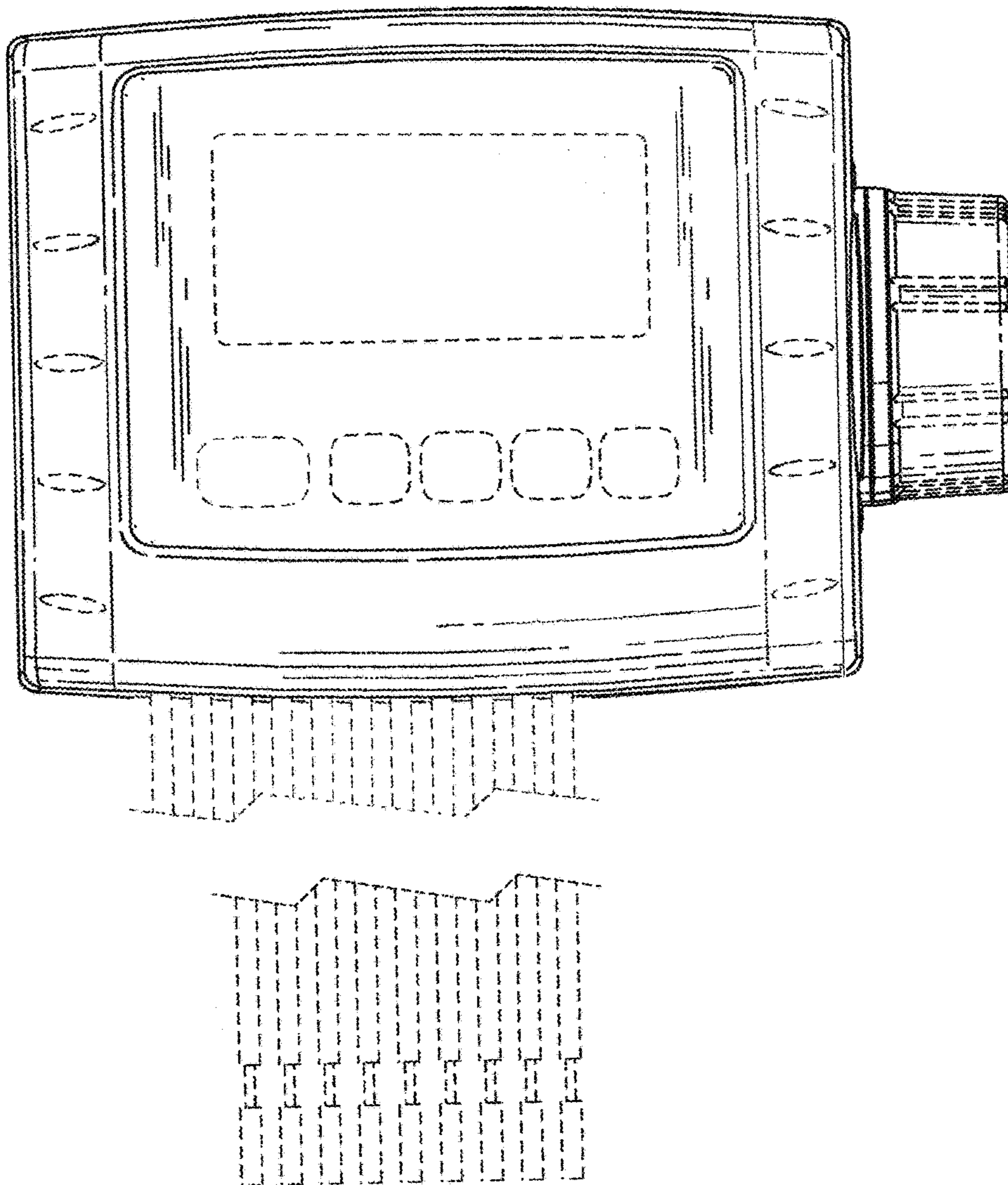


FIG. 10

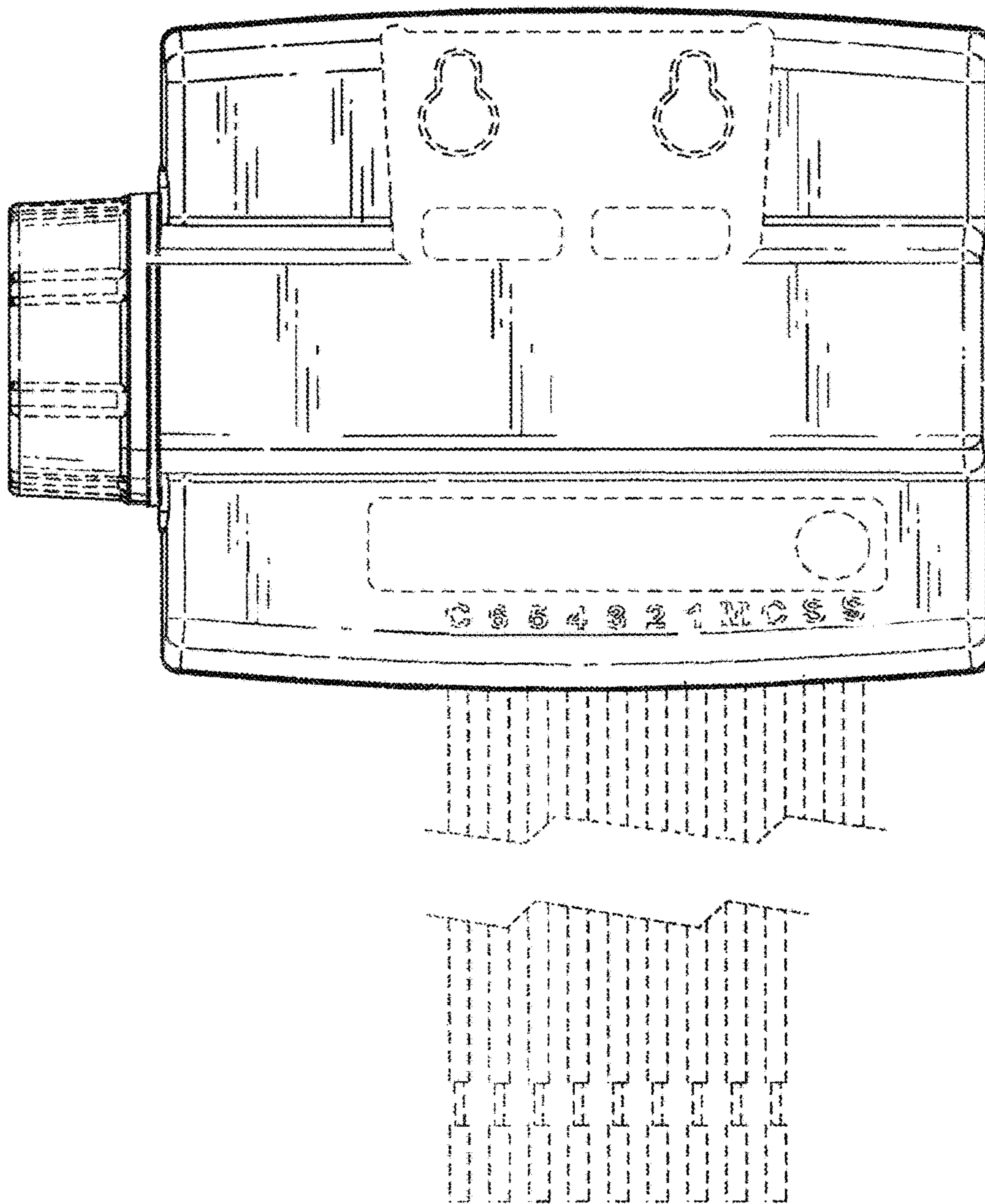


FIG. 11

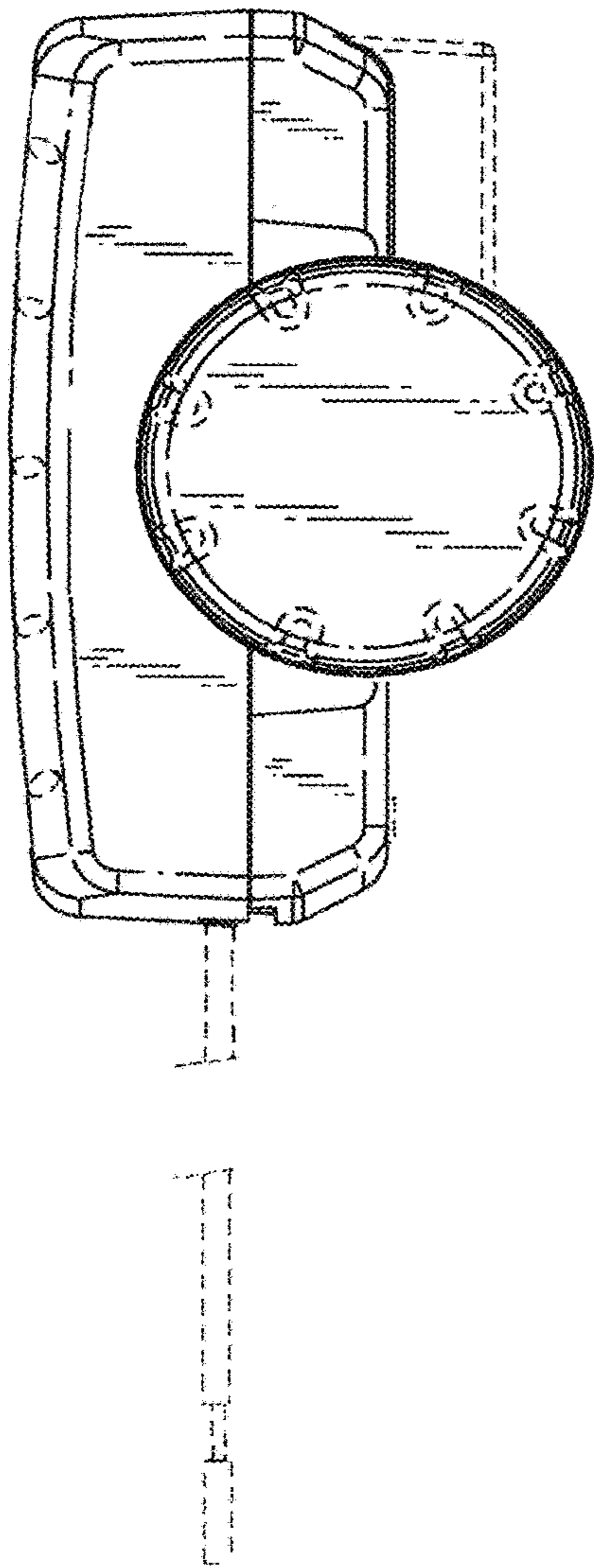


FIG. 12

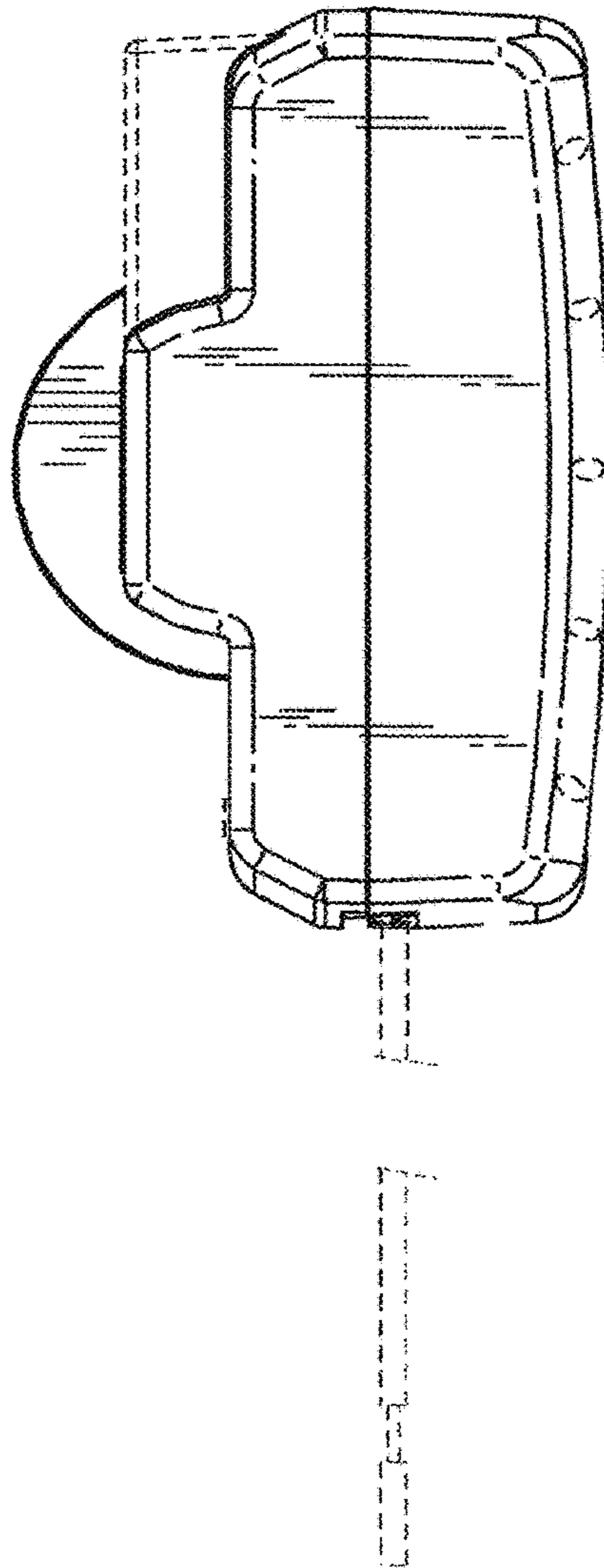


FIG. 13

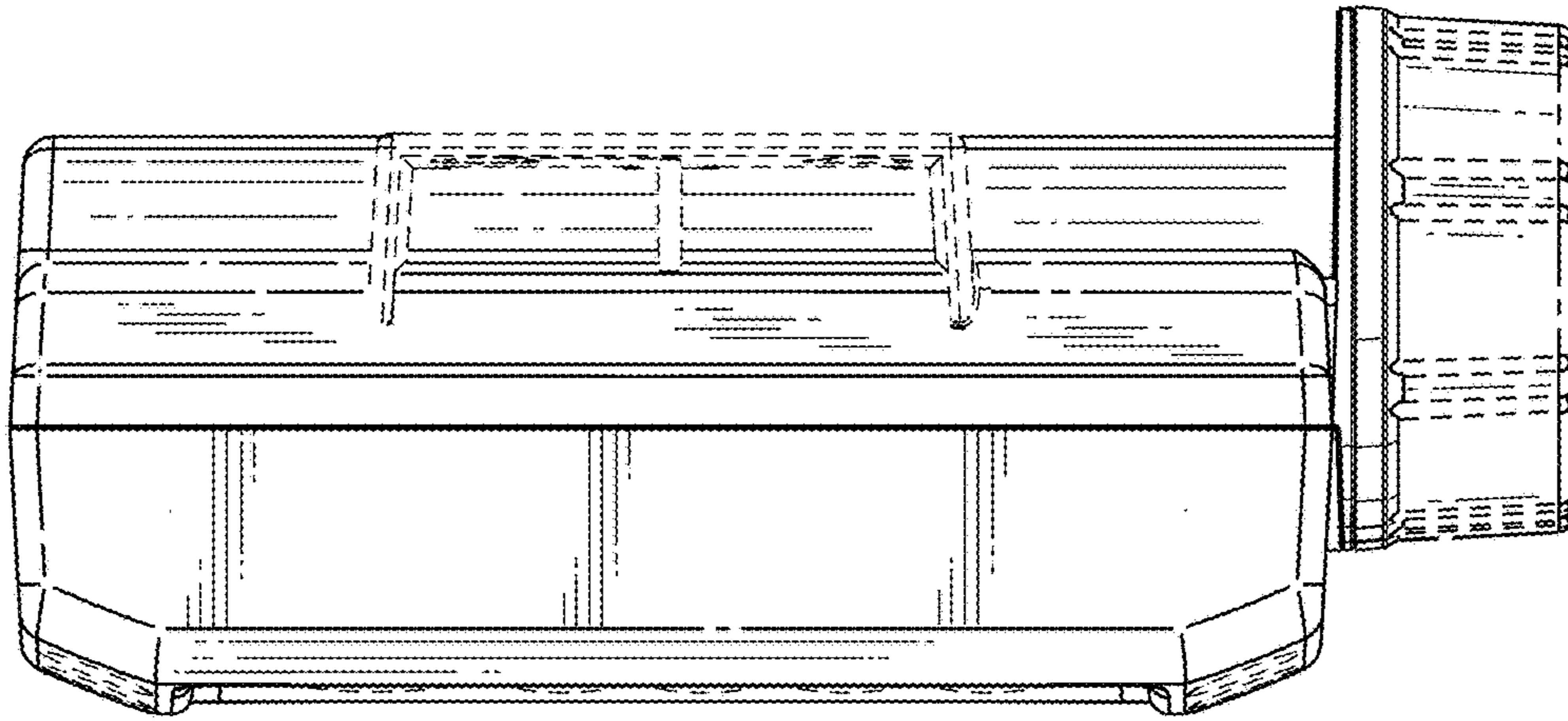


FIG. 14

