



US00D810699S

(12) **United States Design Patent** (10) **Patent No.:** **US D810,699 S**
Velez et al. (45) **Date of Patent:** **** Feb. 20, 2018**

(54) **COVER FOR ELECTRIC POWER OUTLET RECEPTACLE**

7,880,085 B2 * 2/2011 Nurenberg H02G 3/088
174/66
D634,276 S * 3/2011 Chou D13/162
D641,707 S * 7/2011 Czarnecki D13/152

(71) Applicant: **LANDSCAPE FORMS, INC.**,
Kalamazoo, MI (US)

(Continued)

(72) Inventors: **Efrain E. Velez**, Kalamazoo, MI (US);
Eric Nelson, Richland, MI (US)

(73) Assignee: **LANDSCAPE FORMS, INC.**,
Kalamazoo, MI (US)

(**) Term: **15 Years**

(21) Appl. No.: **29/584,306**

(22) Filed: **Nov. 14, 2016**

(51) **LOC (11) Cl.** **13-03**

(52) **U.S. Cl.**
USPC **D13/156**

(58) **Field of Classification Search**
USPC D13/108–110, 133, 137.1–137.4,
D13/138.1–138.2, 139.1–139.8, 152–154,
D13/156, 173, 177, 151, 146, 147, 107;
D14/433, 435.1, 432; D8/350–353, 331,
D8/396, 398, 399, 382, 383, 387, 393,
D8/343

CPC H01R 25/00; H01R 25/006; H01R 25/003;
H01R 9/00; H01R 11/00; H01R 13/46;
H01R 13/62; H01R 13/639; H01R
13/6392; H02J 2007/0062; H02G 3/14

See application file for complete search history.

(56) **References Cited**

U.S. PATENT DOCUMENTS

D191,047 S * 8/1961 Baxendell D13/169
D540,655 S * 4/2007 Fabrizi D8/353
D578,965 S * 10/2008 Dively D13/152
D597,960 S * 8/2009 Dinh D13/152
7,834,267 B1 * 11/2010 Gretz H02G 3/083
174/53

OTHER PUBLICATIONS

Horizontal or Vertical-Mount While in Use Weatherproof Cover, 1-Gang, Polycarbonate, manufactured by TAYMAC, printout available online on Oct. 12, 2016 at: [\(Continued\)](https://www.grainger.com/product/38R662?gclid=CKz0366Y1s8CFQcfhgod318KvA&cm_mmc=PPC:GOOGLEPLAA-_-Electrical-_-Electrical%20Boxes-_-38R662&AL!2966!3!50916776397!!!s!102361312197!&s_kwid=AL!2966!3!50916776397!!!s!102361312197!&ef_id=UVx8qQAABDsvDhaE:20161012211739:s; 4 pages, downloaded Oct. 12, 2016.</p></div>
<div data-bbox=)

Primary Examiner — Rosemary K Tarcza
Assistant Examiner — Christy M Nemeth
(74) *Attorney, Agent, or Firm* — Heslin Rothenberg Farley & Mesiti P.C.

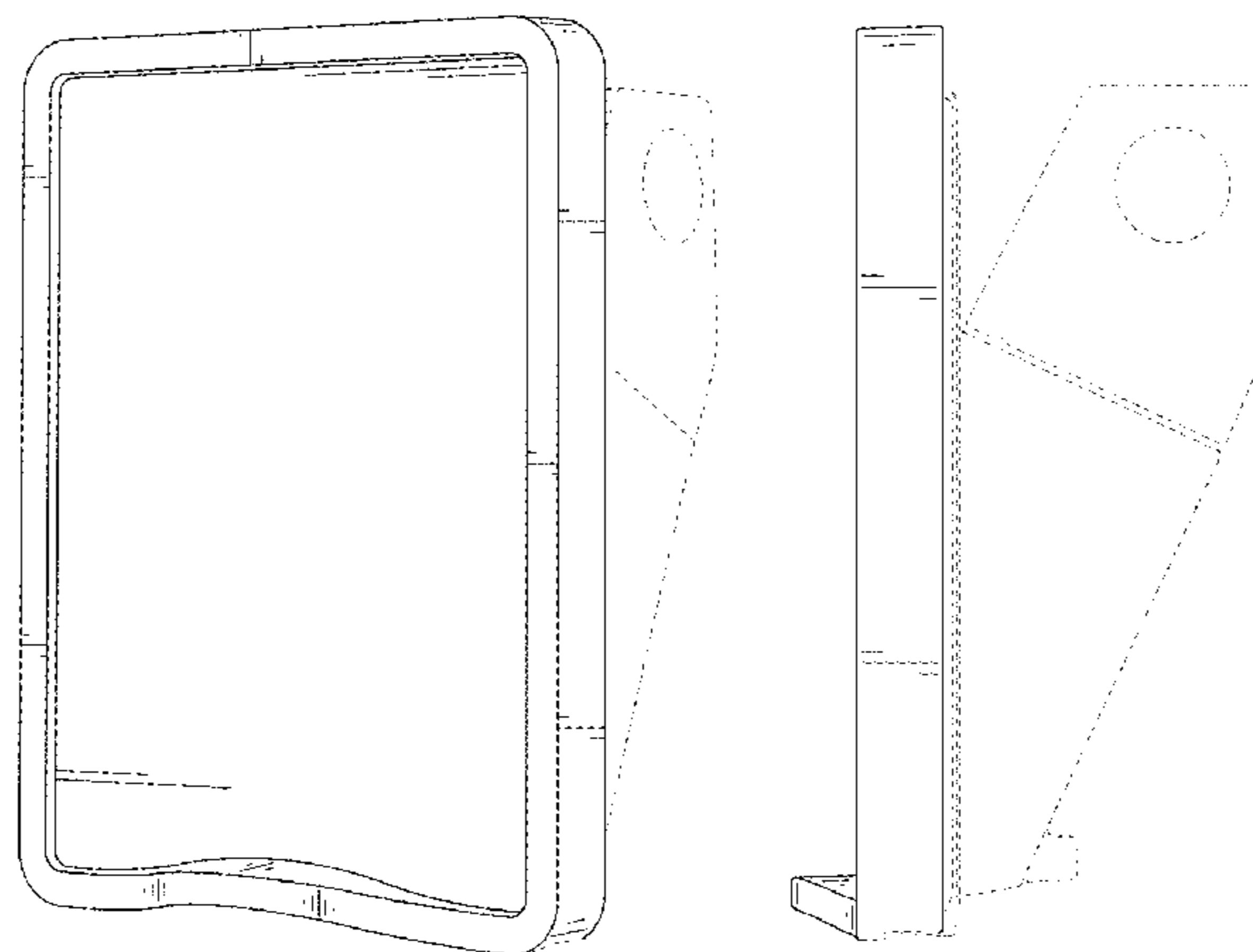
(57) **CLAIM**

The ornamental design for a cover for electric power outlet receptacle, as shown and described.

DESCRIPTION

FIG. 1 is a front perspective view of the cover for electric power outlet receptacle, with the cover in a closed position; FIG. 2 is a front elevation view thereof, FIG. 3 is a side elevation view thereof, FIG. 4 is a rear elevation view thereof, FIG. 5 is a top plan view thereof, FIG. 6 is a bottom plan view; and, FIG. 7 is a front perspective view of the cover for electric power outlet receptacle, with the cover in an open position.

(Continued)



The broken lines in the drawings are for the purpose of illustrating environment that forms no part of the claimed design.

1 Claim, 7 Drawing Sheets

(56)

References Cited

U.S. PATENT DOCUMENTS

D658,588 S * 5/2012 Justice D13/156
D735,678 S * 8/2015 Wyatt D13/156

OTHER PUBLICATIONS

9 Factors to Consider When Installing an Outdoor Outlet, printout available online on Nov. 11, 2016 at: <http://community.homedepot.com/howto/DiscussionDetail/9-Factors-to-Consider-When-Installing-an-Outdoor-Outlet-90650000000J7X>, 2 pages.

1-Gang Horizontal/Vertical Mount Weatherproof Expandable Low Profile Extra Duty While in Use Cover, manufactured by Hubbell, printout available online on Nov. 11, 2016 at: https://jet.com/product/detail/c7427975e1f74221b010e13f29df6adc?jcmp=pla:ggl:a_nj_dur_gen_hardware_a3_b2:hardware_a3_other:na:PLA_649018514_30290622022_pla-161716745820:na:na:na:28&code=PLA15&gclid=CMiq3KC-odACFUc-MgodUSwHtQ&gclid=ds.

Cal Flame Electrical Outlet; printout available online on Nov. 11, 2016 at: <http://livingouffitters.com/electrical-outlet-outdoor-kitchen-accessories-cal-flame-optq851>, 1 page.

How do I install an outside electrical box on vinyl siding?, printout available online on Nov. 11, 2016 at: <http://diy.stackexchange.com/questions/15105/how-do-i-install-an-outdoor-receptacle-box-on-vinyl-siding>, 6 pages.

Hubbell-Bell MX1050W Weatherproof Single Outlet Cover, printout available online on Nov. 11, 2016 at: <https://www.amazon.com/MX1050W-Weatherproof-Receptacle-Protector-Vertical/dp/B003OBXXF6?th=1>, 3 pages.

* cited by examiner

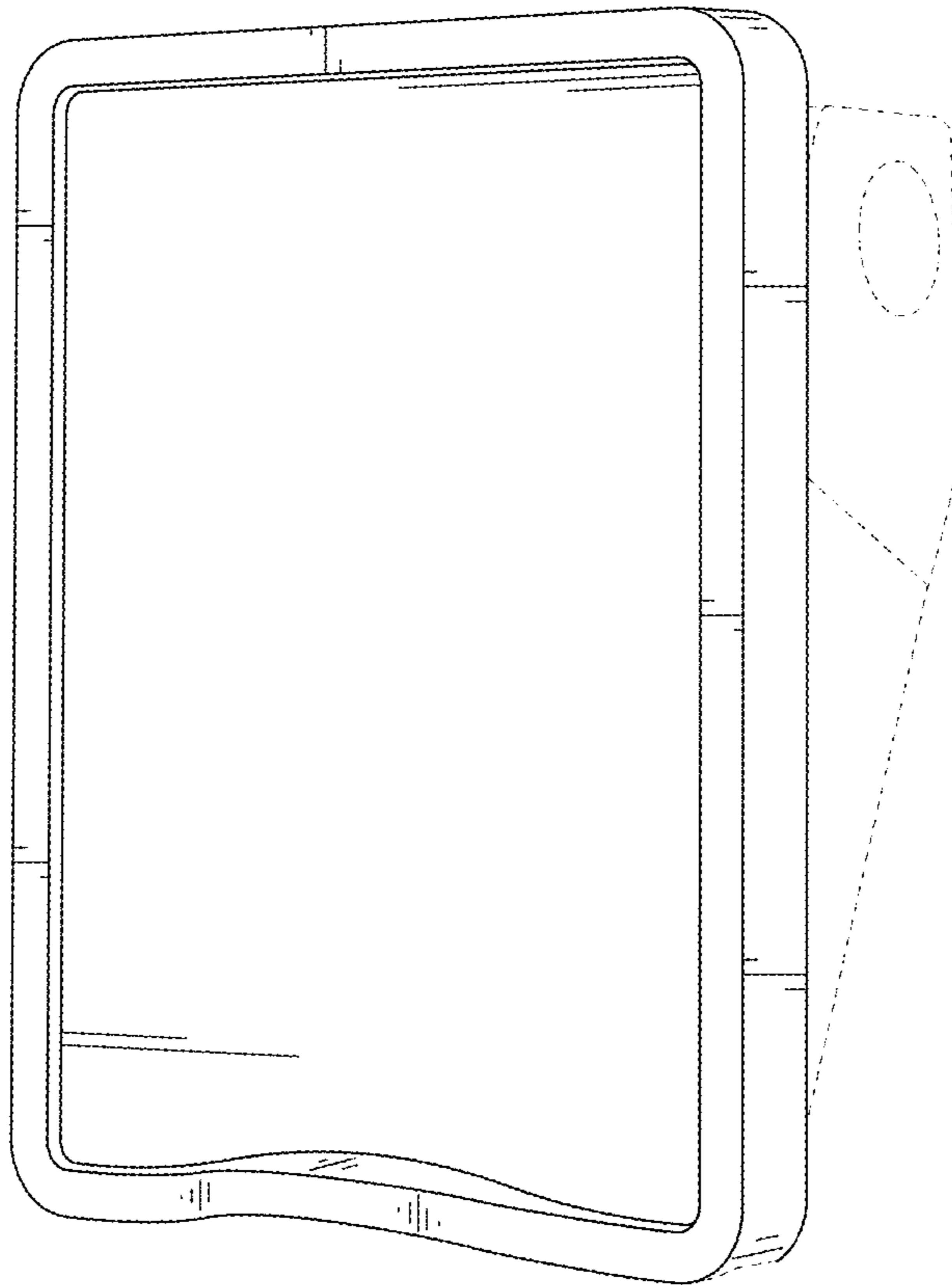


FIG. 1

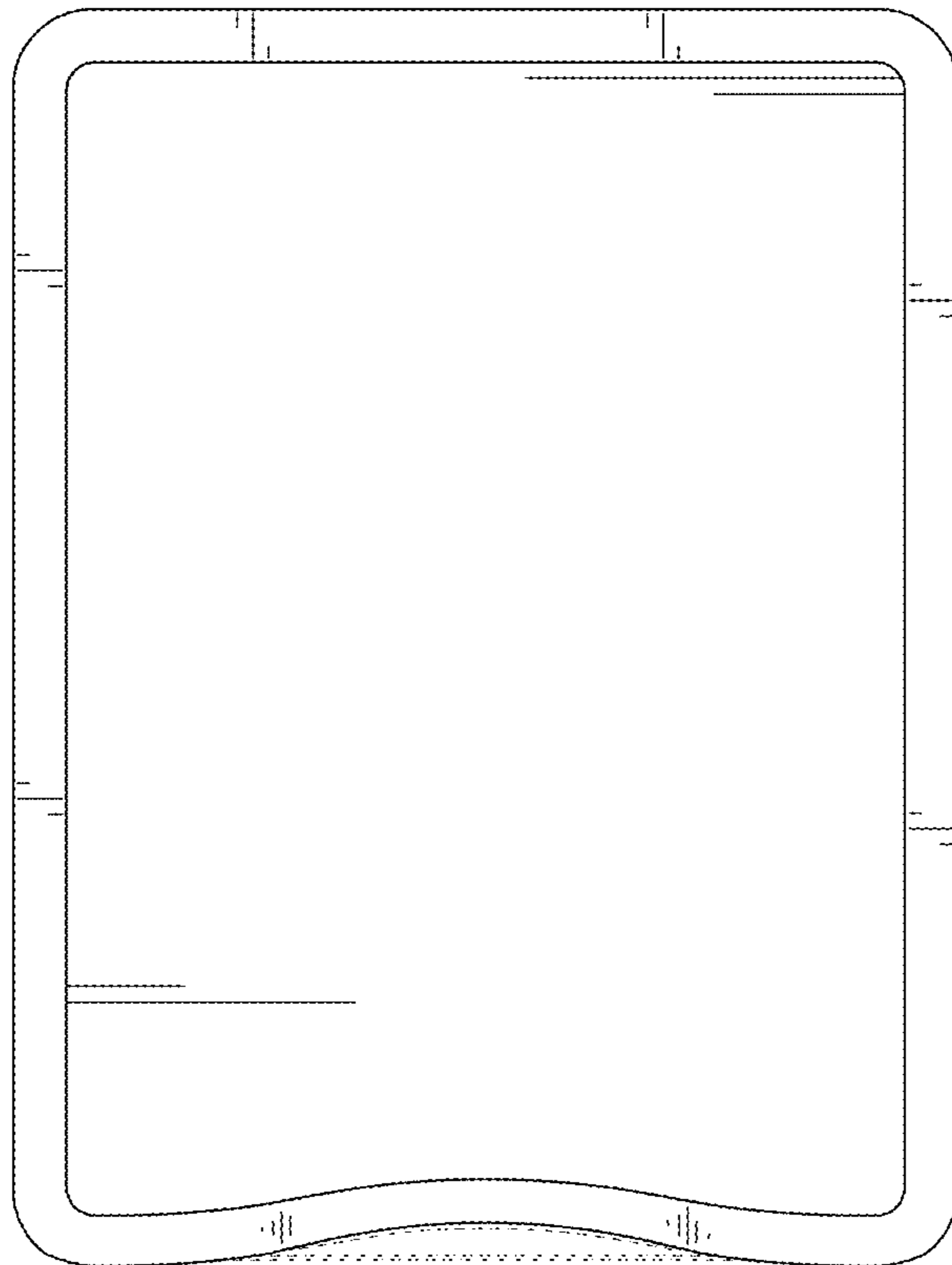


FIG. 2

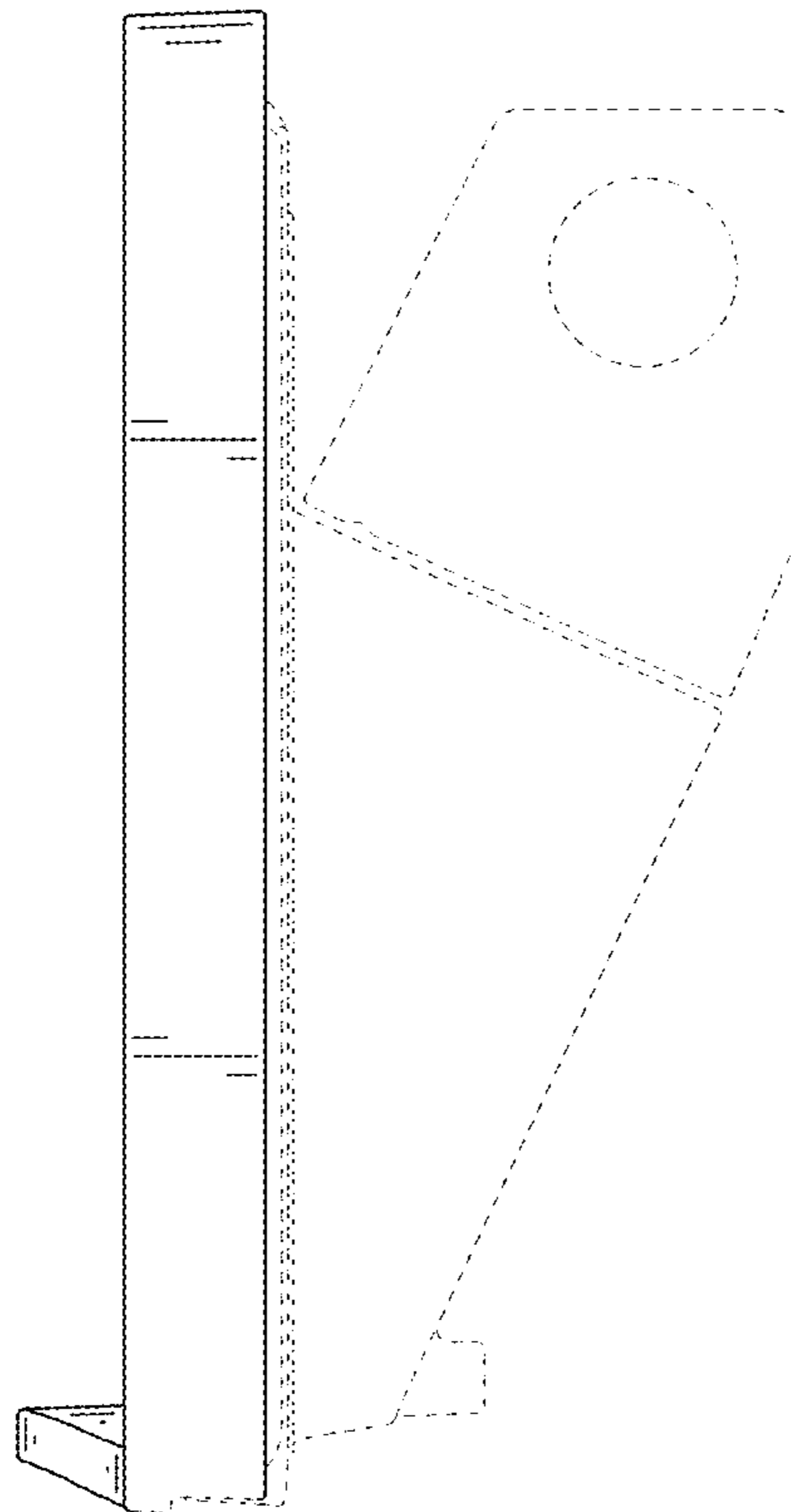


FIG. 3

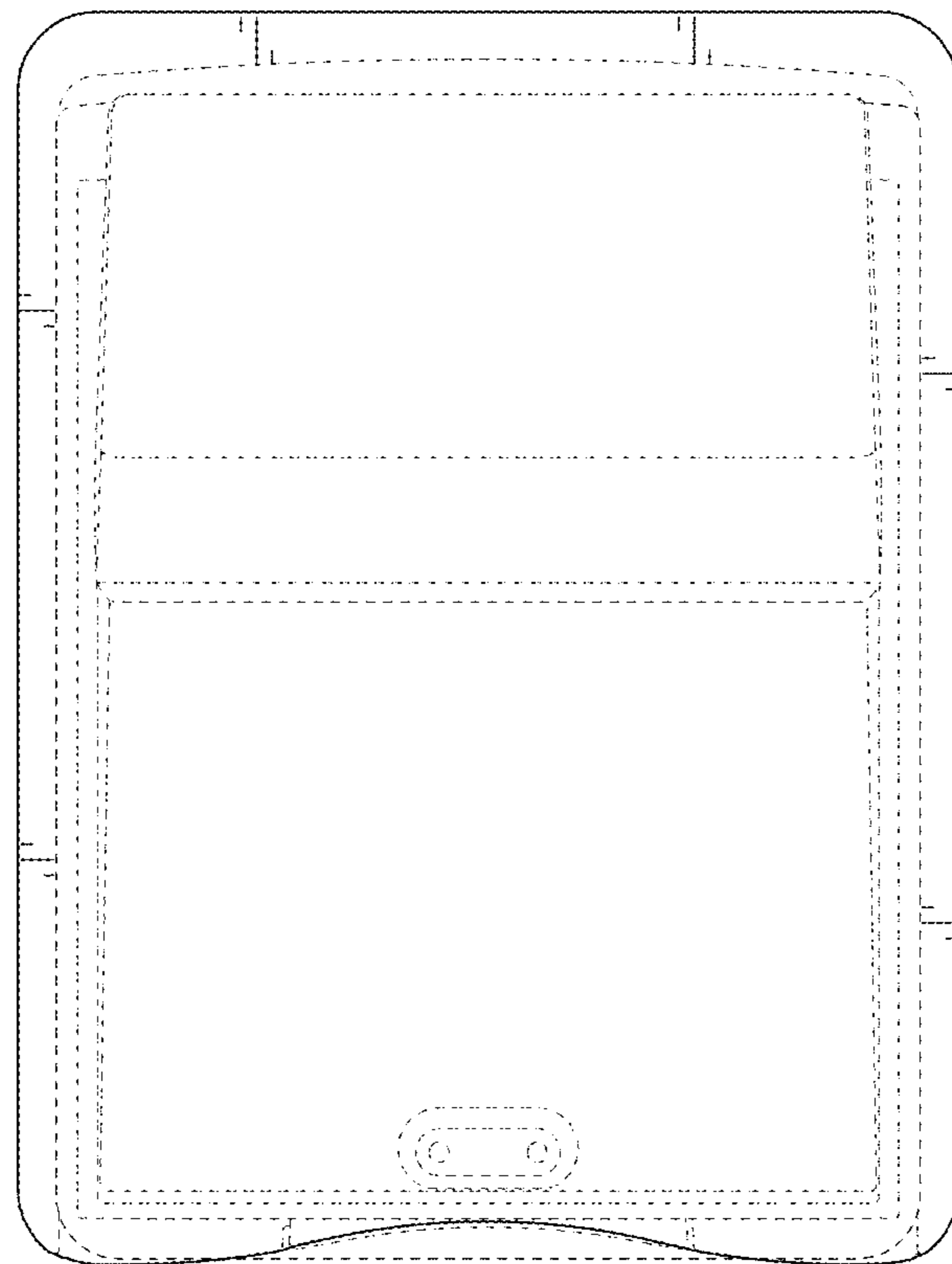


FIG. 4

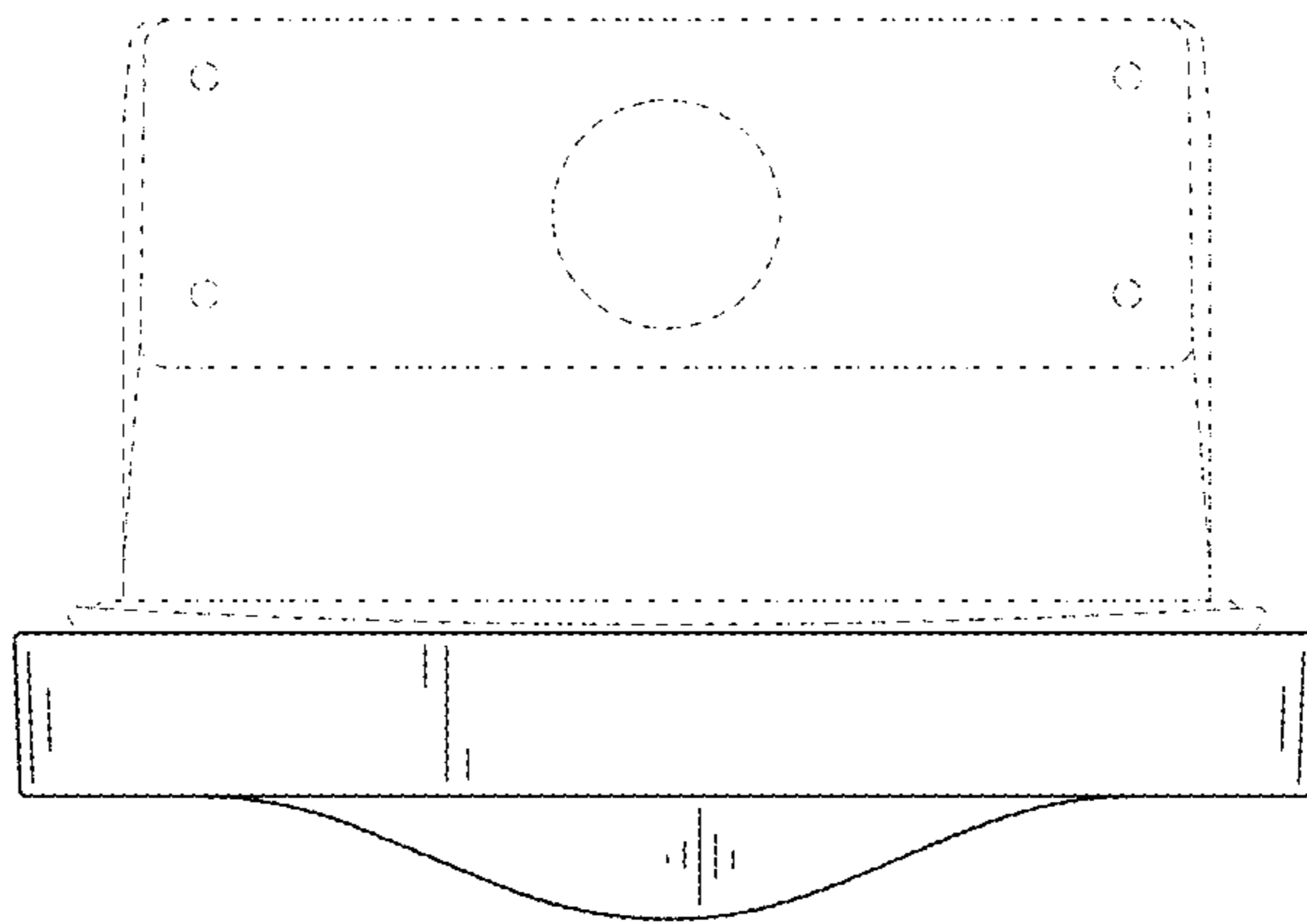


FIG. 5

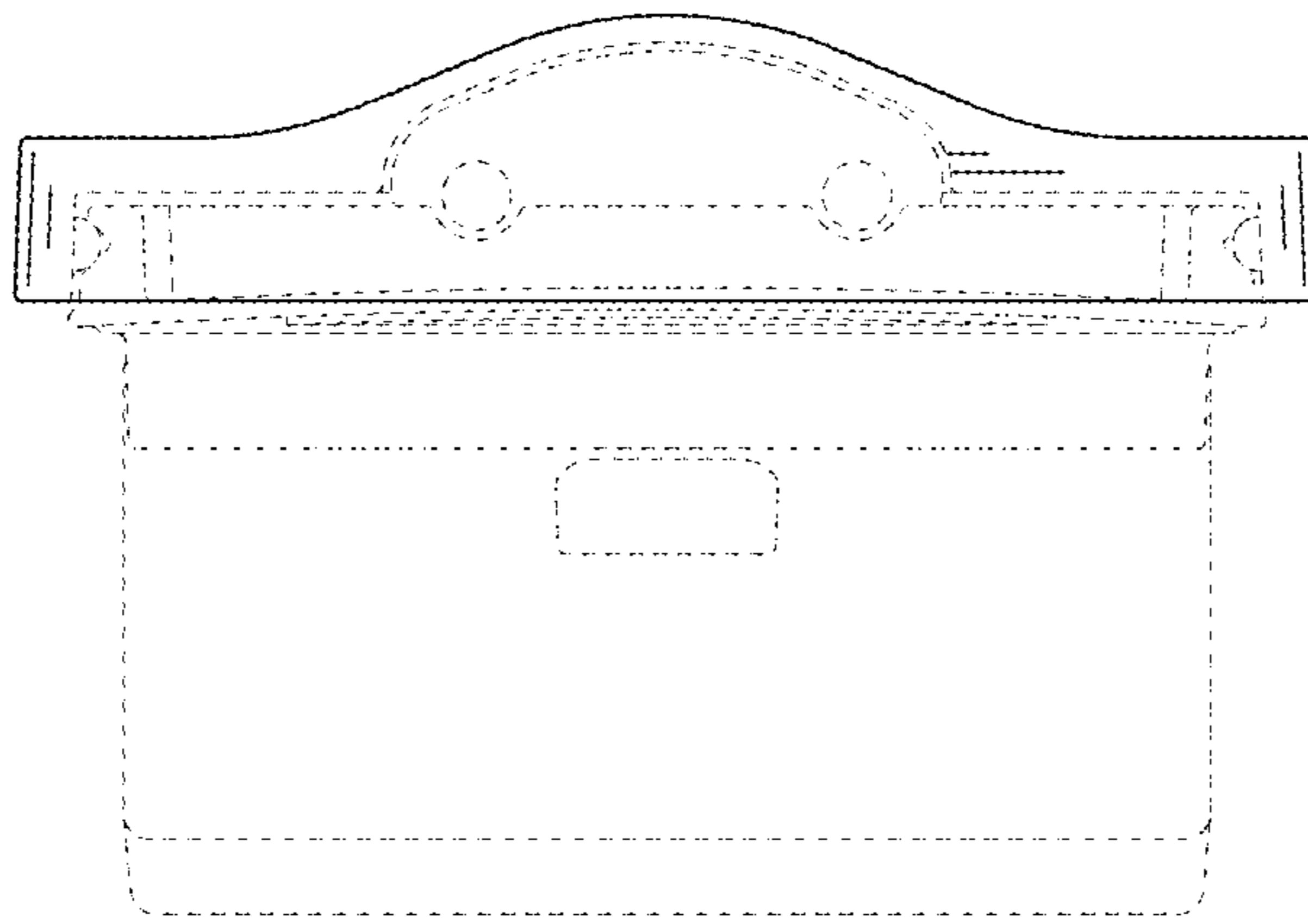


FIG. 6

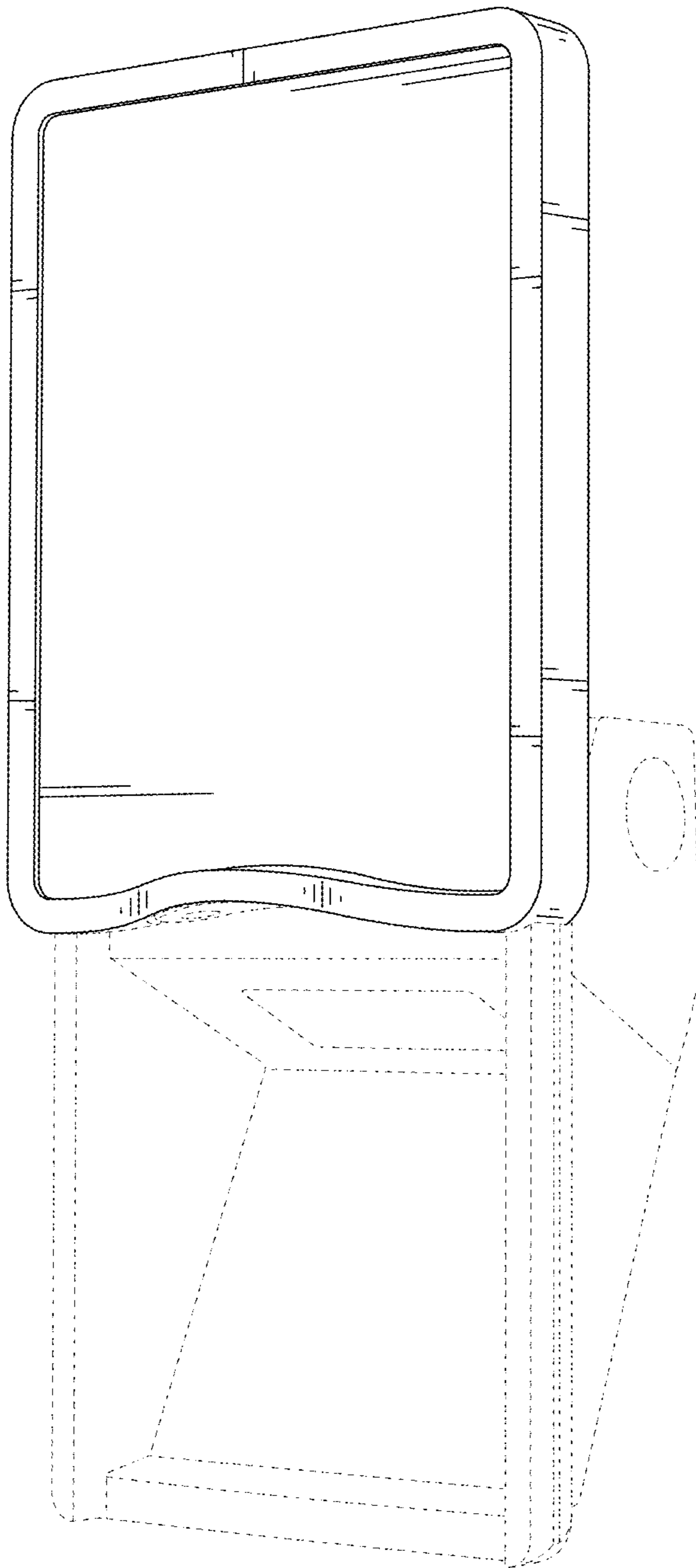


FIG. 7