



US00D810697S

(12) **United States Design Patent** (10) **Patent No.:** **US D810,697 S**
Smith (45) **Date of Patent:** **** Feb. 20, 2018**

(54) **USB COVER PLATE**
(71) Applicant: **Jeremy Cornell Smith**, Orem, UT (US)
(72) Inventor: **Jeremy Cornell Smith**, Orem, UT (US)
(73) Assignee: **SnapRays LLC**, Vineyard, UT (US)
(**) Term: **14 Years**
(21) Appl. No.: **29/522,406**
(22) Filed: **Mar. 30, 2015**

D411,734 S * 6/1999 Hsiang D13/154
D412,886 S * 8/1999 Doran D13/177
D443,500 S * 6/2001 Luu D26/26
D456,239 S * 4/2002 Luu D14/242
D463,367 S * 9/2002 Luu D13/139.1
D464,865 S * 10/2002 Luu D26/26
7,247,793 B2 * 7/2007 Hinkson B66C 1/34
174/66
D695,693 S * 12/2013 Lee D13/152
D703,139 S * 4/2014 Dodal D13/139.1
D715,734 S * 10/2014 Levy D13/110
8,864,517 B2 * 10/2014 Cohen H01R 13/73
439/536
D731,430 S * 6/2015 Segnit D13/137.2
9,083,180 B2 * 7/2015 Dodal H02H 3/16

Related U.S. Application Data

(63) Continuation-in-part of application No. 14/549,143,
filed on Nov. 20, 2014, now Pat. No. 9,362,728.
(51) **LOC (11) Cl.** **13-03**
(52) **U.S. Cl.**
USPC **D13/156**
(58) **Field of Classification Search**
USPC D13/120, 121, 123, 133, 154, 158, 160,
D13/173, 178, 184, 199; 174/50, 520,
174/67; 361/600; 439/723, 752, 135,
439/149
CPC H01R 13/424; H01R 13/136; H01R
13/4362; H01R 13/5213
See application file for complete search history.

* cited by examiner

Primary Examiner — Derrick Holland
Assistant Examiner — Jennifer O King

(57) **CLAIM**

The ornamental design for a USB cover plate, as shown and described.

DESCRIPTION

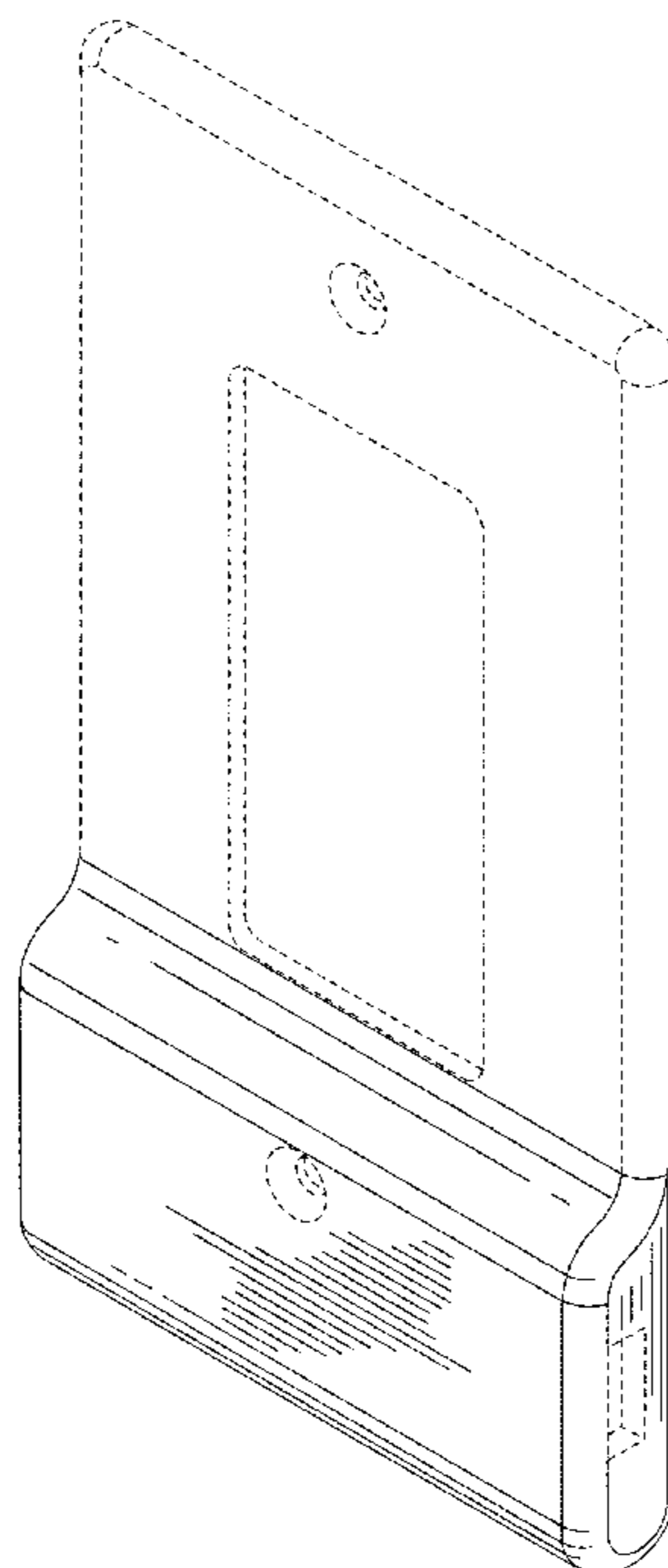
FIG. 1 is a front perspective view of a USB cover plate in accordance with my new design;
FIG. 2 is a top plan view thereof;
FIG. 3 is a first side elevation view thereof;
FIG. 4 is a front elevation view thereof;
FIG. 5 is a second, opposite side elevation view thereof; and,
FIG. 6 is a bottom plan view thereof.
The broken lines represent unclaimed subject matter and form no part of the claimed design. The back of the USB cover plate is not visible during use and forms no part of the claimed design.

(56) **References Cited**

U.S. PATENT DOCUMENTS

D220,568 S * 4/1971 Young D13/137.3
D271,374 S * 11/1983 Butts D8/353
D283,979 S * 5/1986 Arnett 439/653
4,611,264 A * 9/1986 Bradley F21L 4/085
362/183

1 Claim, 2 Drawing Sheets



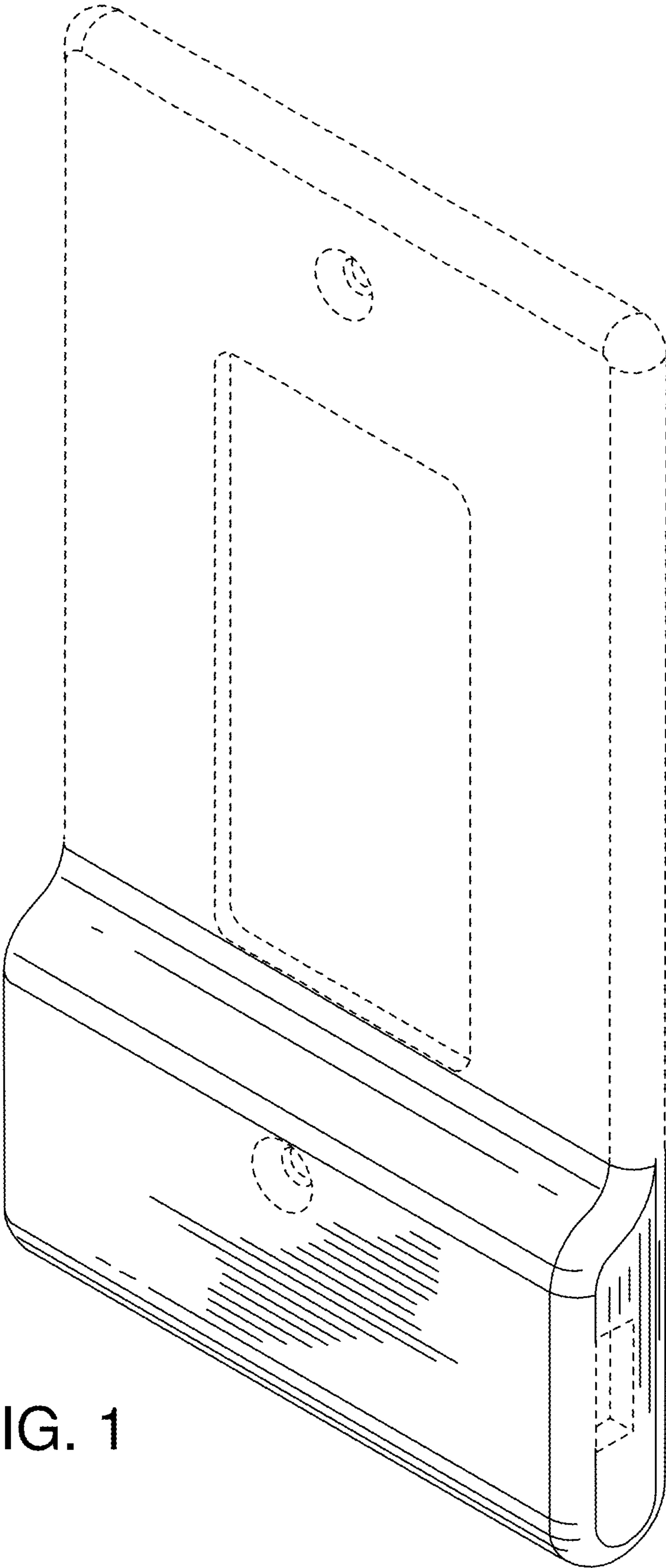


FIG. 1

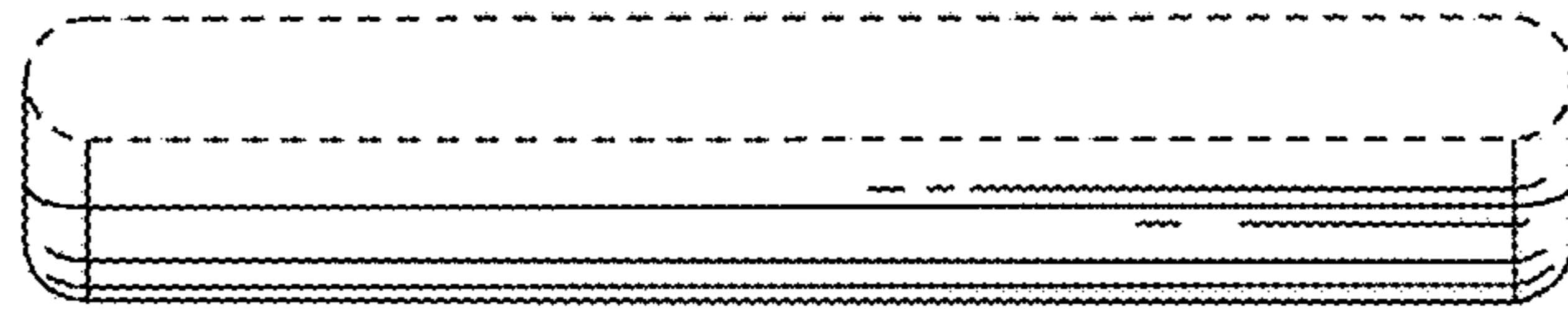


FIG. 2

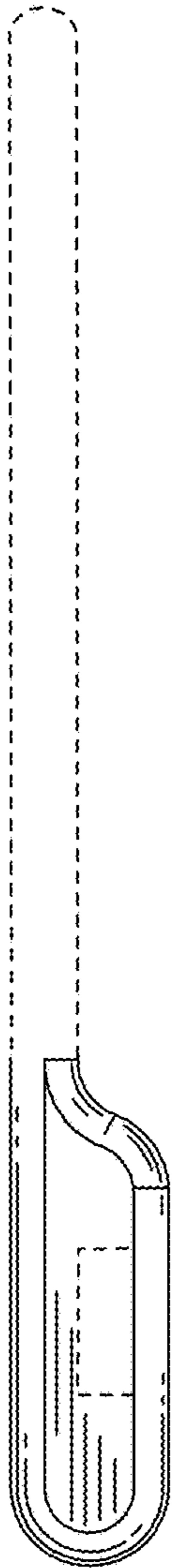


FIG. 3

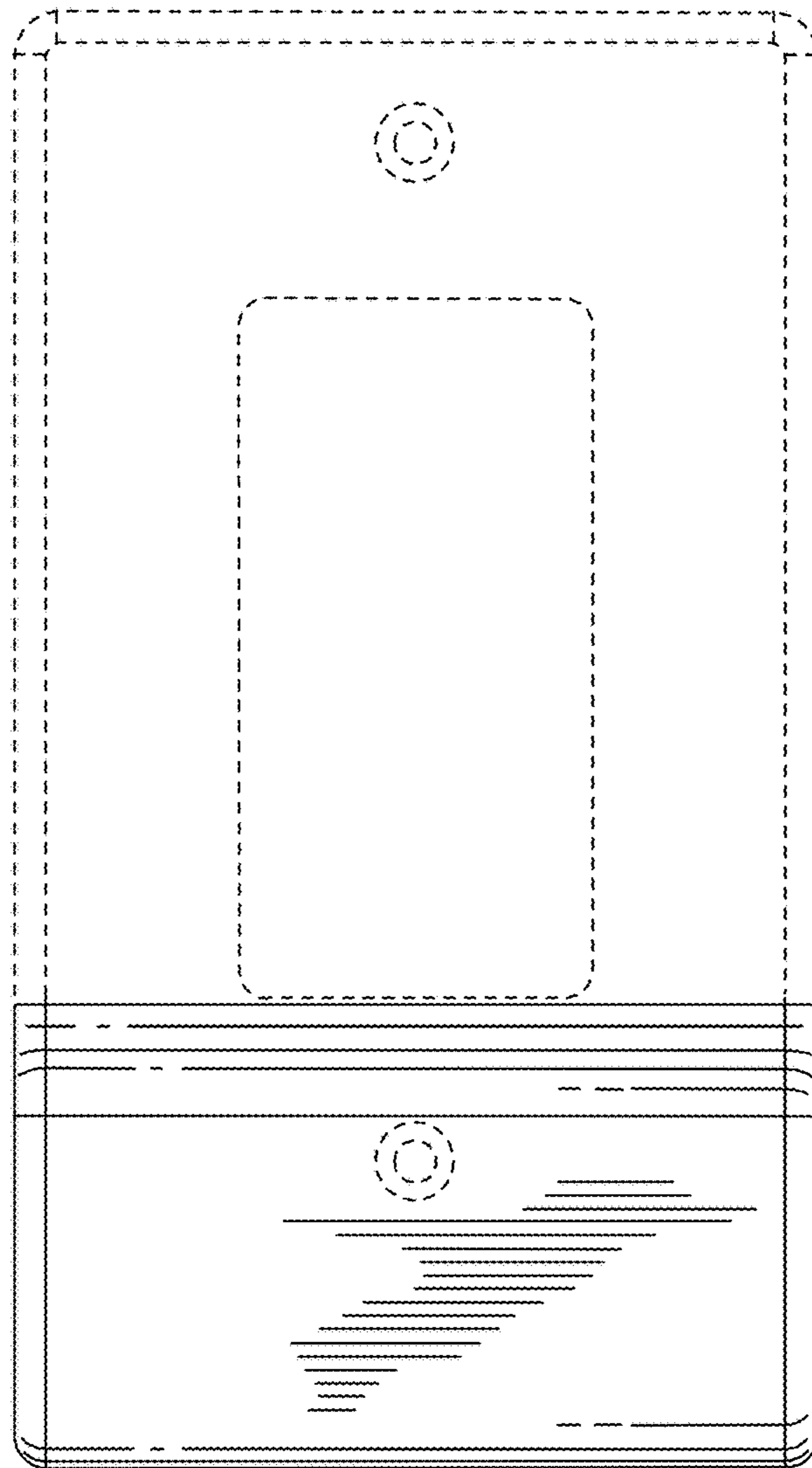


FIG. 4

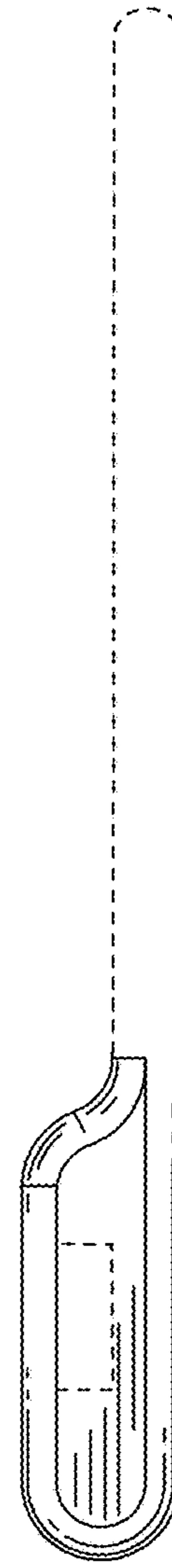


FIG. 5

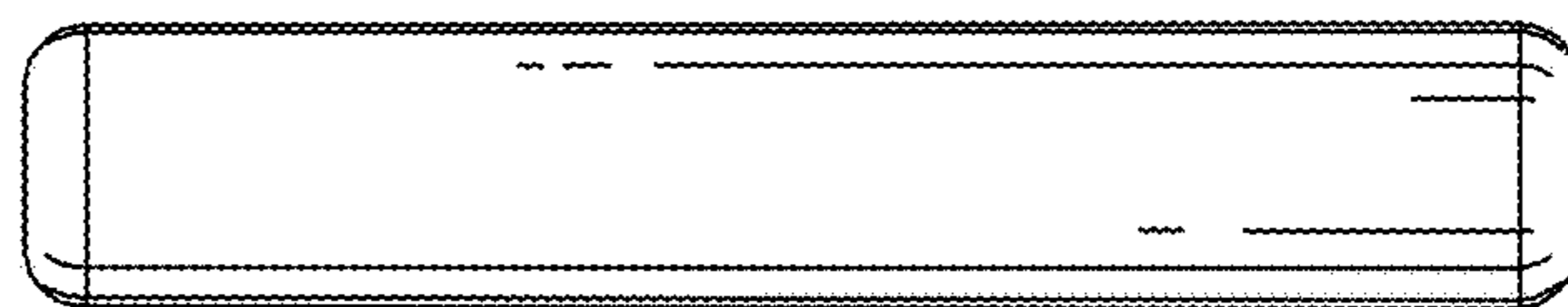


FIG. 6