



US00D810695S

(12) **United States Design Patent**  
**Hagarty**

(10) **Patent No.:** **US D810,695 S**

(45) **Date of Patent:** **\*\* \*Feb. 20, 2018**

(54) **SINGLE GANG EXTENSION RING**

(71) Applicant: **RANDL Industries, Inc.**, Spokane Valley, WA (US)

(72) Inventor: **Robert J. Hagarty**, Spokane, WA (US)

(73) Assignee: **RANDL Industries, Inc.**, Spokane Valley, WA (US)

(\*) Notice: This patent is subject to a terminal disclaimer.

(\*\*) Term: **14 Years**

(21) Appl. No.: **29/507,982**

(22) Filed: **Oct. 31, 2014**

(51) **LOC (11) Cl.** ..... **13-03**

(52) **U.S. Cl.**  
USPC ..... **D13/156**

(58) **Field of Classification Search**  
USPC ..... D13/156, 133, 152, 154, 173, 177, 184, D13/199; 174/53, 55, 58, 66, 67, 68.1,  
(Continued)

(56) **References Cited**

**U.S. PATENT DOCUMENTS**

4,399,922 A 8/1983 Horsley  
4,603,789 A 8/1986 Medlin, Sr.  
(Continued)

**OTHER PUBLICATIONS**

Hagarty, R.J., "Outlet Box Adaptor," U.S. Appl. No. 29/393,963, filed Jun. 10, 2011.

(Continued)

*Primary Examiner* — Derrick Holland

(74) *Attorney, Agent, or Firm* — Christensen O'Connor Johnson Kindness PLLC

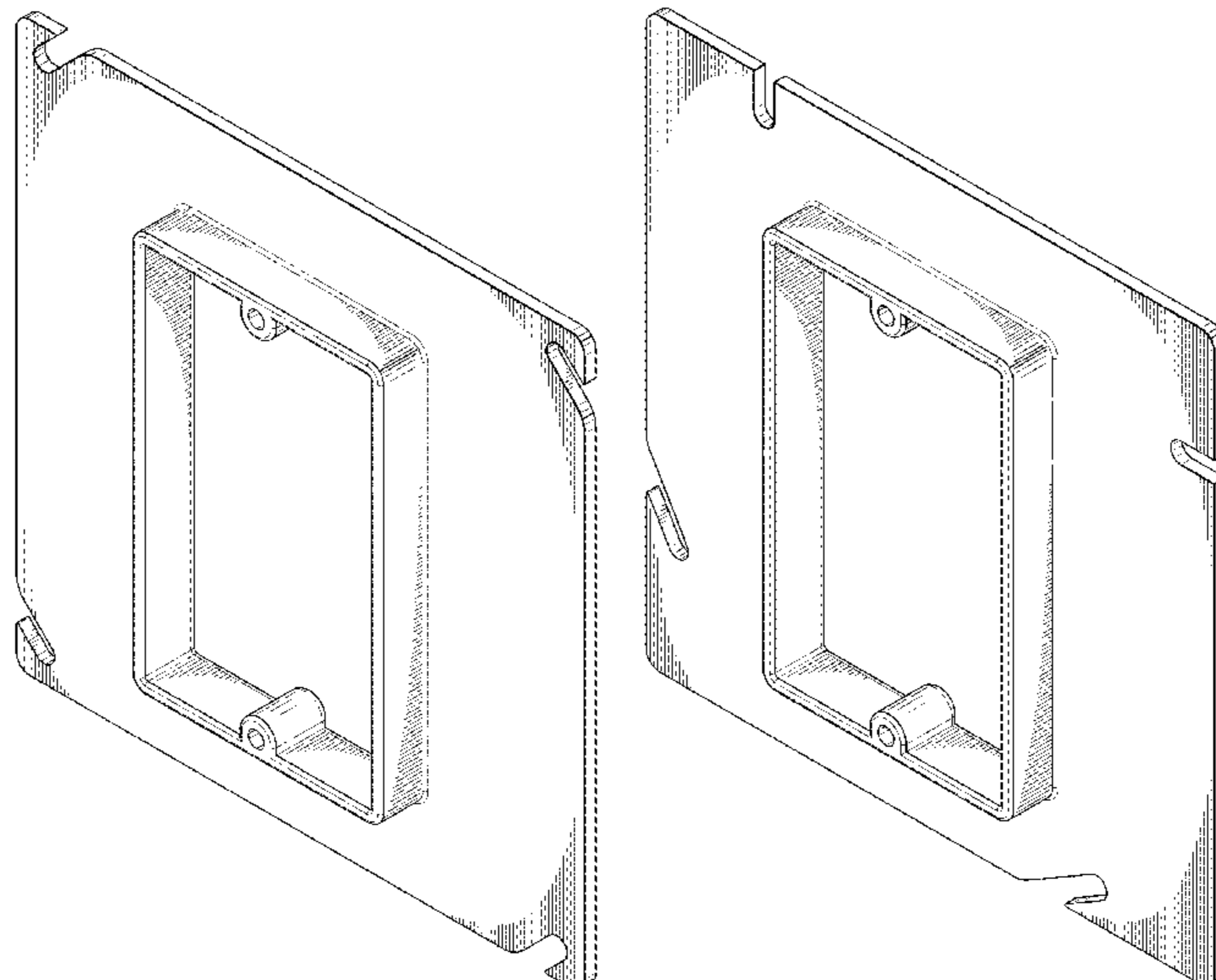
(57) **CLAIM**

The ornamental design for a single gang extension ring, as shown.

**DESCRIPTION**

FIG. 1 is a front-right perspective view of a single gang extension ring in accordance with the present design;  
FIG. 2 is a rear-left perspective view of the single gang extension ring shown in FIG. 1;  
FIG. 3 is a front view of the single gang extension ring shown in FIG. 1;  
FIG. 4 is a rear view of the single gang extension ring shown in FIG. 1;  
FIG. 5 is a top plan view of the single gang extension ring shown in FIG. 1;  
FIG. 6 is a bottom plan view of the single gang extension ring shown in FIG. 1;  
FIG. 7 is a left side view of the single gang extension ring shown in FIG. 1; and  
FIG. 8 is a right side view of the single gang extension ring shown in FIG. 1.  
FIG. 9 is a front-right perspective view of a single gang extension ring in accordance with a second embodiment of the present design;  
FIG. 10 is a rear-left perspective view of the single gang extension ring shown in FIG. 9;  
FIG. 11 is a front view of the single gang extension ring shown in FIG. 9;  
FIG. 12 is a rear view of the single gang extension ring shown in FIG. 9;  
FIG. 13 is a top plan view of the single gang extension ring shown in FIG. 9;  
FIG. 14 is a bottom plan view of the single gang extension ring shown in FIG. 9;  
FIG. 15 is a left side view of the single gang extension ring shown in FIG. 9; and  
FIG. 16 is a right side view of the single gang extension ring shown in FIG. 9.

**1 Claim, 10 Drawing Sheets**



# US D810,695 S

(58) **Field of Classification Search**  
 USPC ..... 174/82, 535, 559; 220/3.2, 3.3, 3.5, 3.6,  
                   220/3.9; 248/27.1; 439/527, 535, 536,  
   439/537  
 CPC .. H02G 3/08; H02G 3/14; H02G 3/18; H02G  
           3/20; H02G 3/081; H02G 3/086; H02G  
           3/088; H02G 3/121; H02G 3/125; H02G  
           15/10; H01H 9/02; H05K 7/14; Y10S  
   248/906  
 See application file for complete search history.

6,858,802 B2 2/2005 Hagarty  
 D528,513 S \* 9/2006 Grendahl ..... H02G 3/12  
   D13/156  
 D540,654 S 4/2007 Aubert Capella  
 D545,276 S 6/2007 Dinh  
 7,271,336 B2 9/2007 Dinh  
 D555,108 S 11/2007 Strong  
 7,301,099 B1 \* 11/2007 Korcz ..... H02G 3/14  
   174/135  
 7,495,170 B2 \* 2/2009 Dinh ..... H02G 3/123  
   174/135  
 D588,067 S 3/2009 Seropian  
 D597,960 S 8/2009 Dinh  
 7,645,936 B2 \* 1/2010 Magno, Jr. .... H02G 3/14  
   174/50

(56) **References Cited**

U.S. PATENT DOCUMENTS

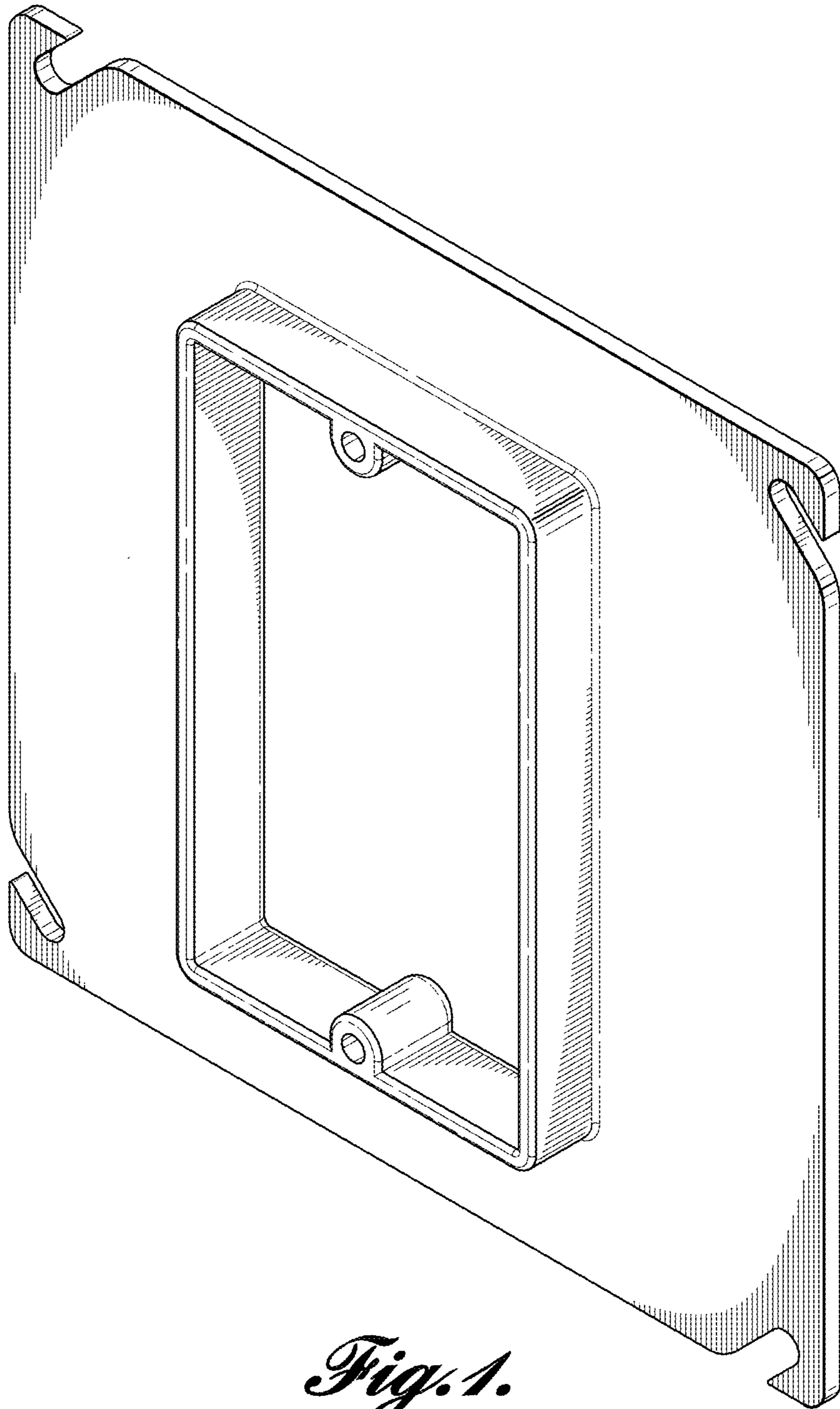
4,613,728 A 9/1986 Lathrop  
 4,790,505 A 12/1988 Rose  
 5,098,046 A 3/1992 Webb  
 5,189,259 A 2/1993 Carson  
 5,263,676 A 11/1993 Medlin  
 D342,938 S 1/1994 Cheatham  
 5,423,499 A 6/1995 Webb  
 5,525,754 A 6/1996 Akins  
 D379,622 S 6/1997 Lynn  
 5,663,525 A 9/1997 Newman  
 5,931,325 A \* 8/1999 Filipov ..... H02G 3/081  
   174/57  
 6,066,803 A 5/2000 Hagarty  
 6,103,972 A 8/2000 Hagarty  
 6,164,475 A 12/2000 Jorgensen  
 6,379,166 B1 4/2002 Hagarty  
 6,384,334 B1 5/2002 Webb  
 D462,939 S 9/2002 Dinh  
 6,573,449 B2 6/2003 Vrame  
 6,590,155 B2 7/2003 Vrame  
 6,608,252 B2 8/2003 Hurley  
 D493,695 S 8/2004 Wengrower

8,253,040 B2 8/2012 Hopkins  
 D698,737 S 2/2014 Hagarty  
 D707,635 S 6/2014 Hagarty  
 D719,528 S 12/2014 Hagarty  
 D719,529 S 12/2014 Hagarty

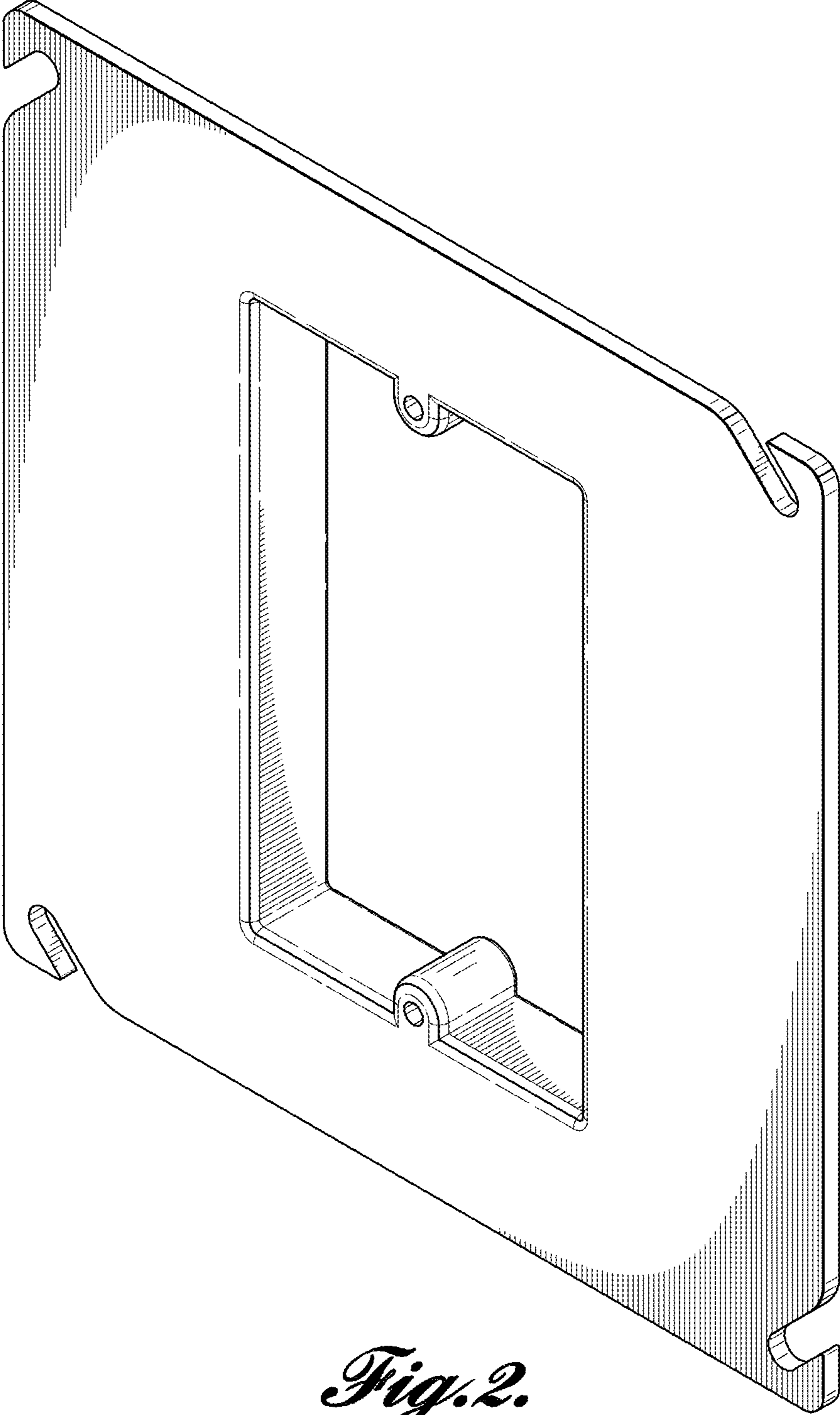
OTHER PUBLICATIONS

Hagarty, R.J., "Plaster Ring," U.S. Appl. No. 29/424,576, filed Jun. 13, 2012.  
 Hagarty, R.J., "Plaster Ring," U.S. Appl. No. 29/447,297, filed Mar. 1, 2013.  
 Hagarty, R.J., "Plaster Ring with Wide Flange," U.S. Appl. No. 29/471,962, filed Nov. 6, 2013.  
 Hagarty, R.J., "Double Gang Extension Ring," U.S. Appl. No. 29/507,986, filed Oct. 31, 2014.  
 Hagarty, R.J., "Extension Ring With Corner Attachments," U.S. Appl. No. 29/508,388, filed Nov. 5, 2014.  
 Hagarty, R.J., "Extension Ring With Narrow Flange," U.S. Appl. No. 29/508,386, filed Nov. 5, 2014.

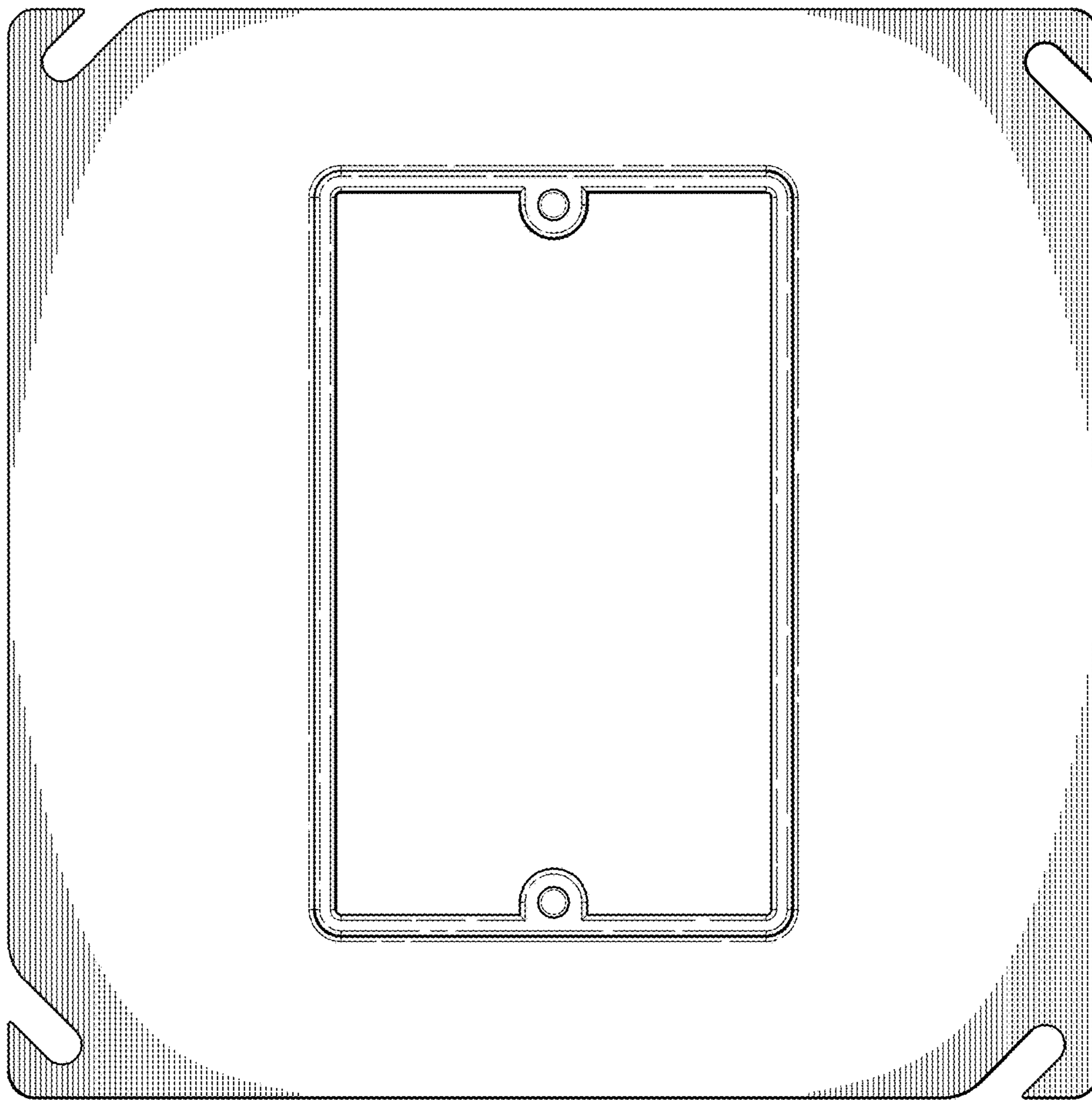
\* cited by examiner



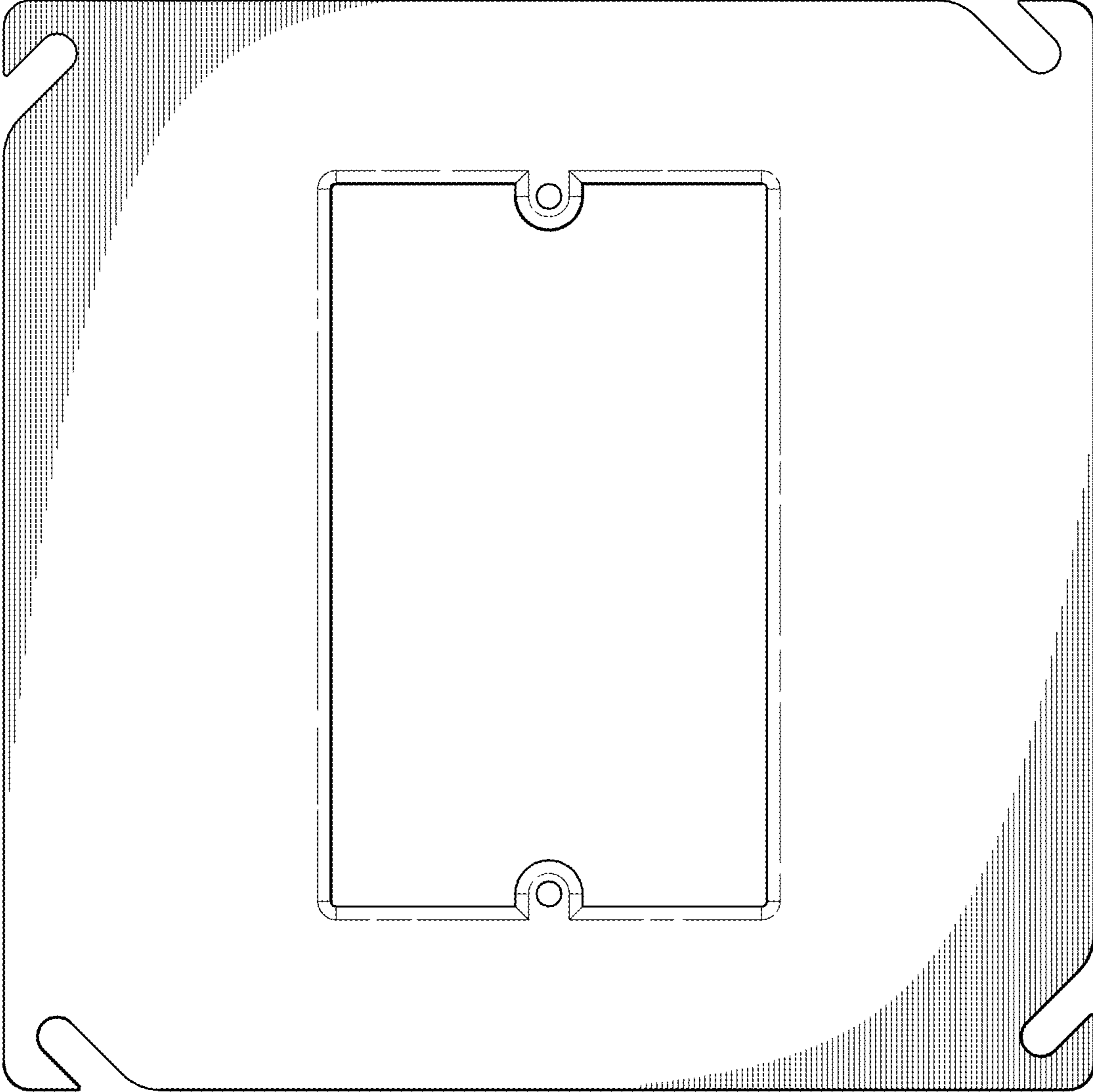
*Fig. 1.*



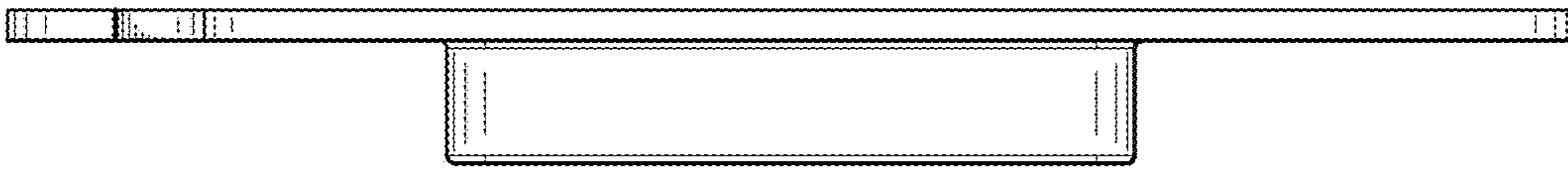
*Fig. 2.*



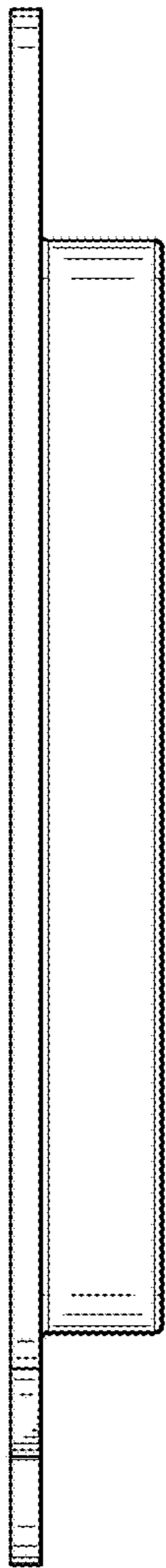
*Fig. 3.*



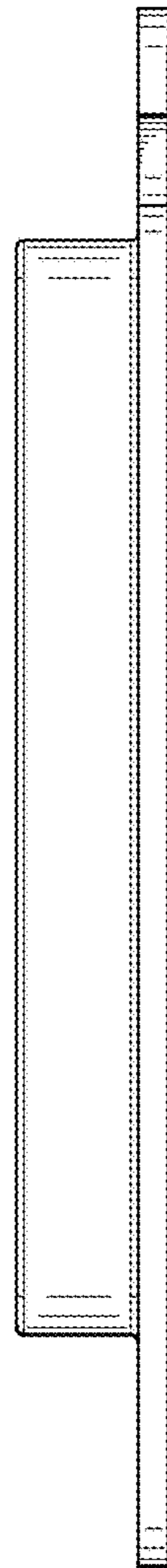
*Fig. 4.*



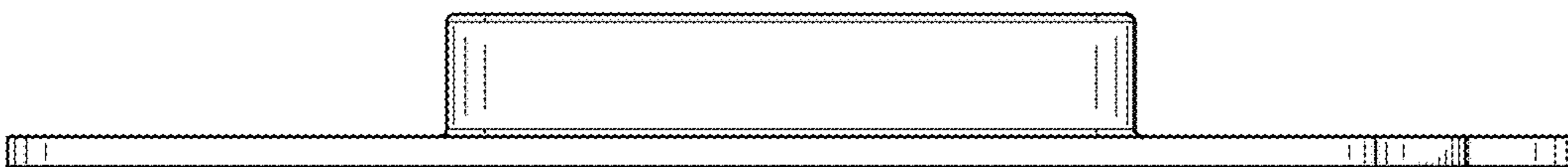
*Fig. 5.*



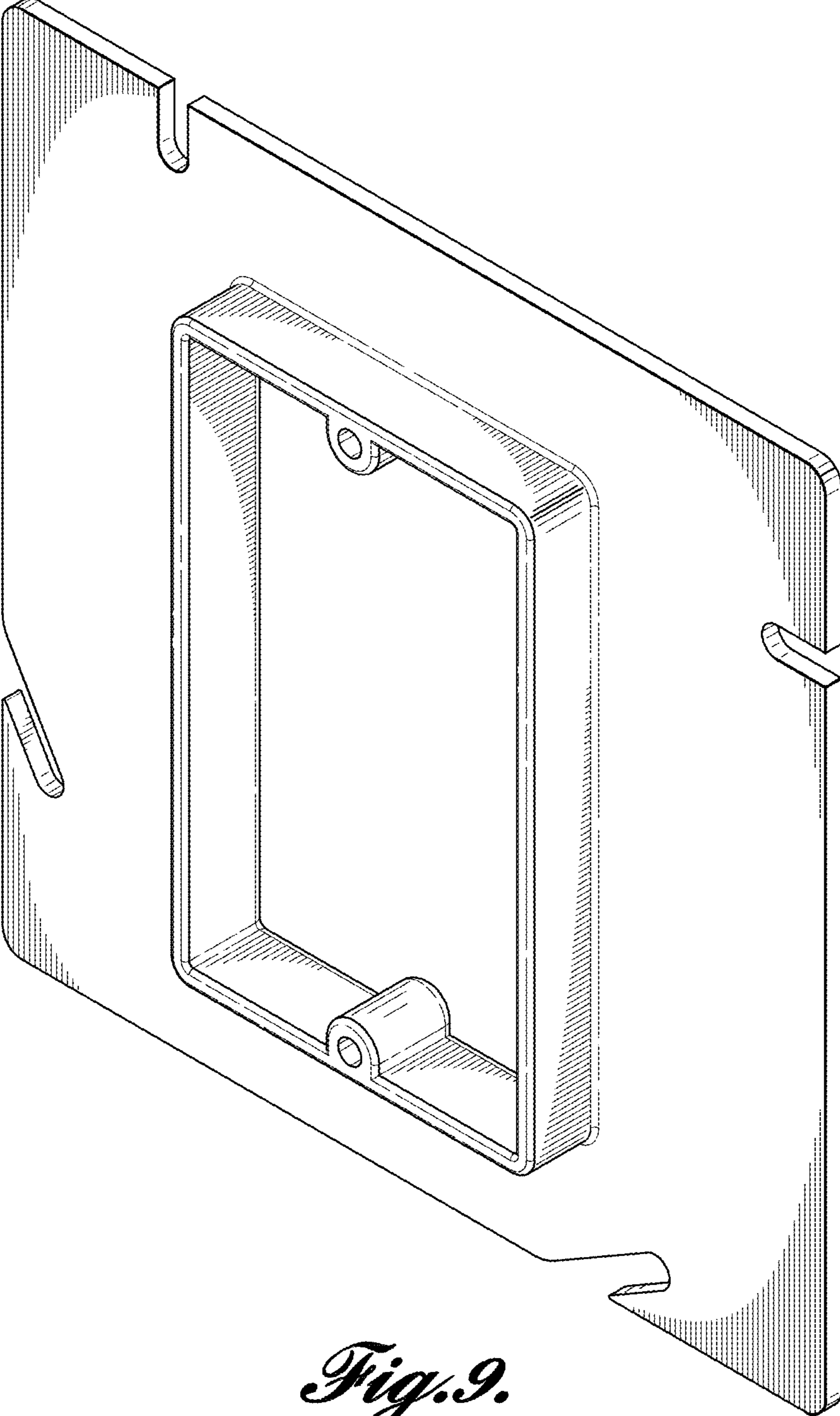
*Fig. 7.*



*Fig. 8.*

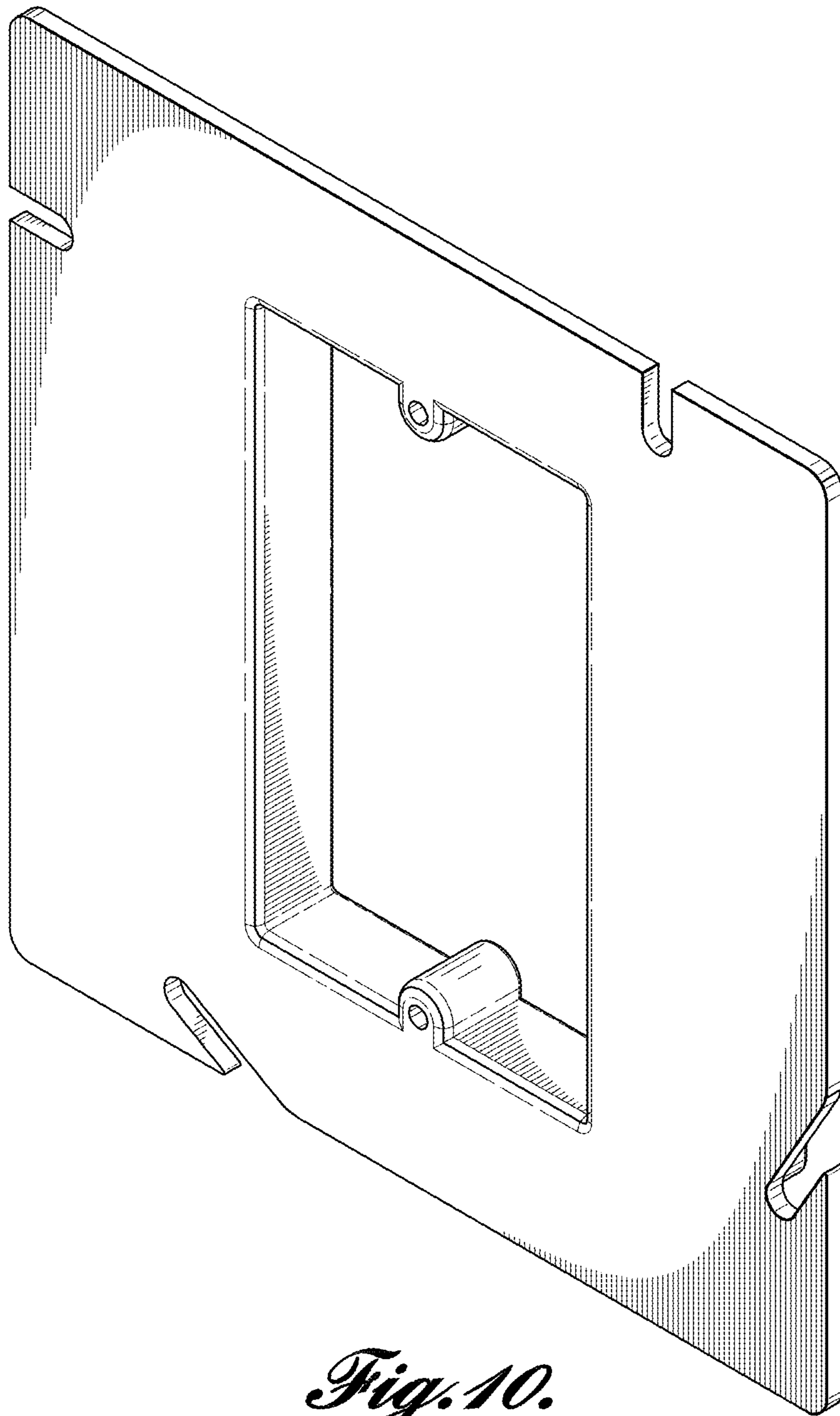


*Fig. 6.*

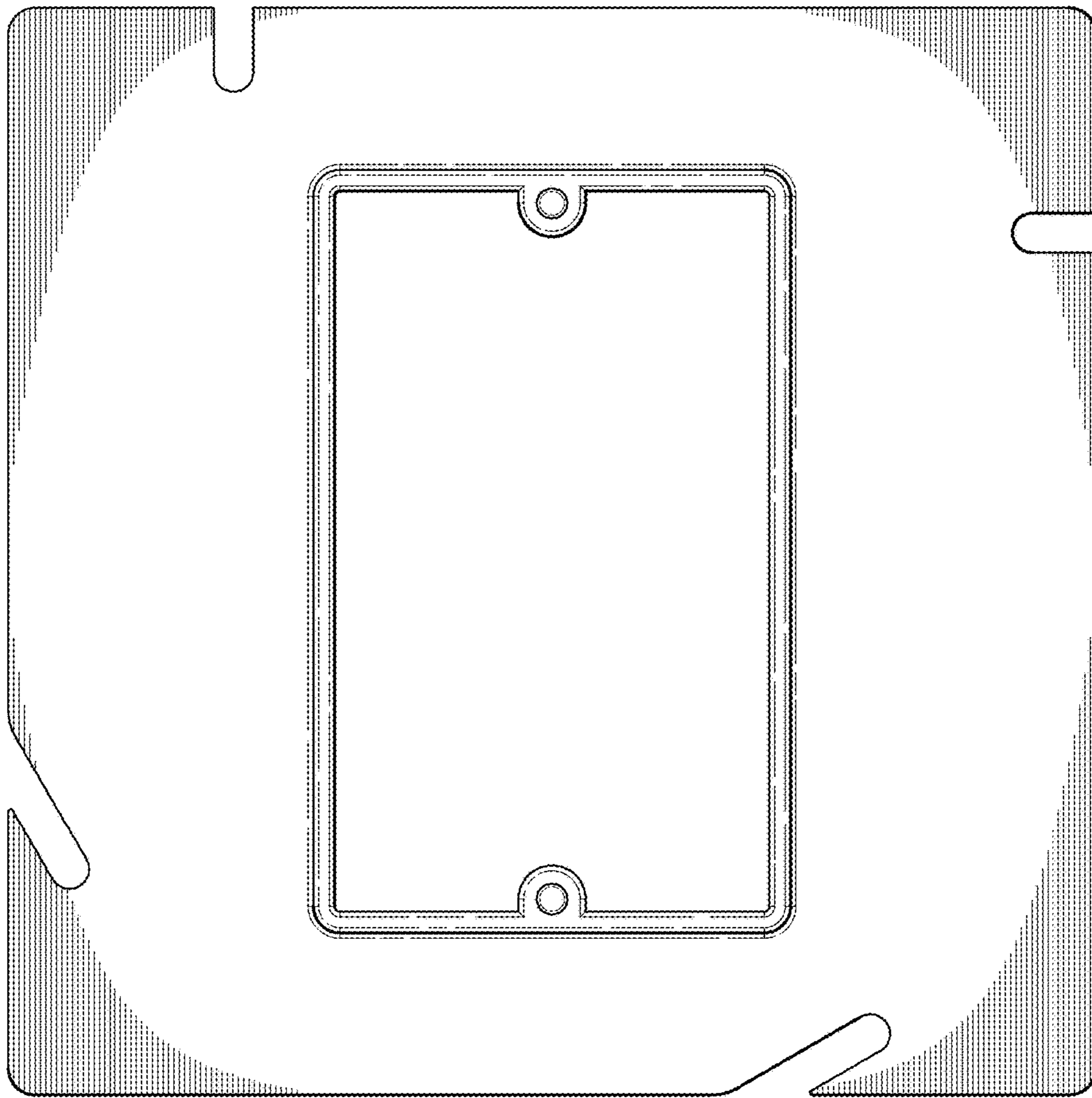


*Fig. 9.*

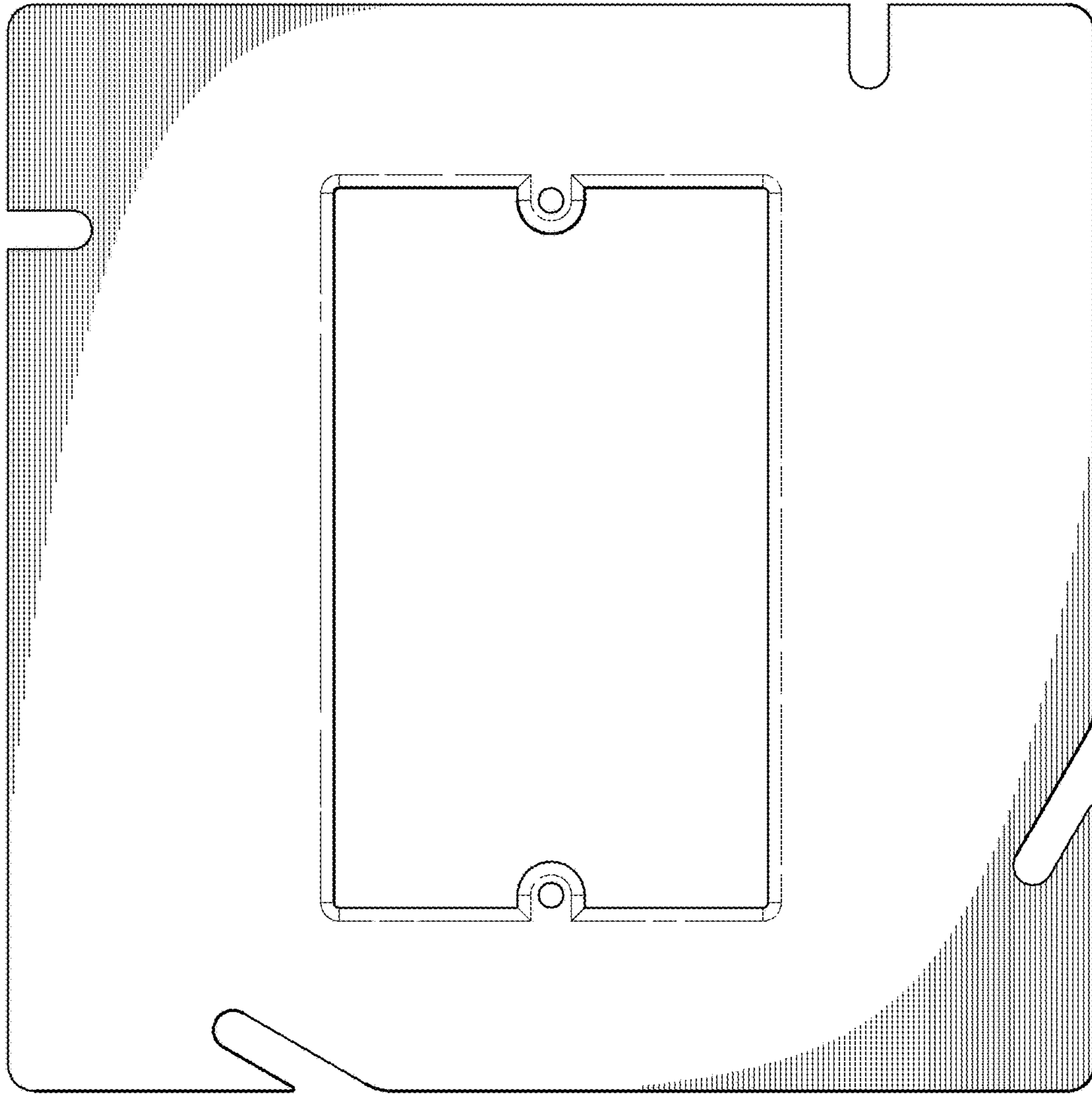




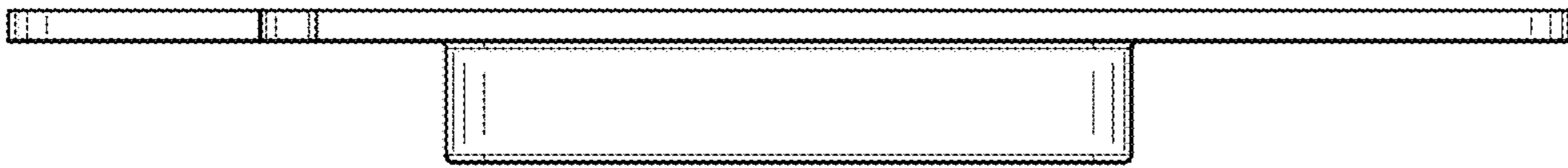
*Fig. 10.*



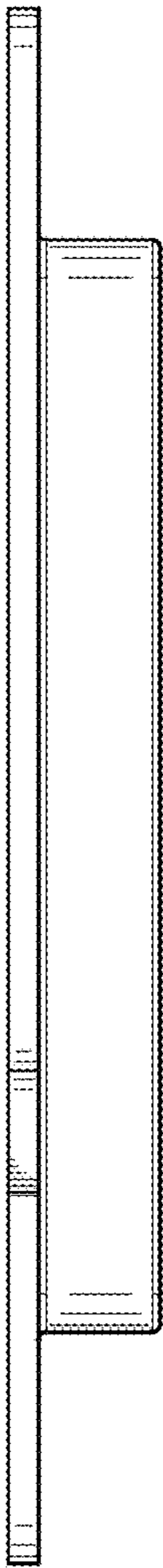
*Fig. 11.*



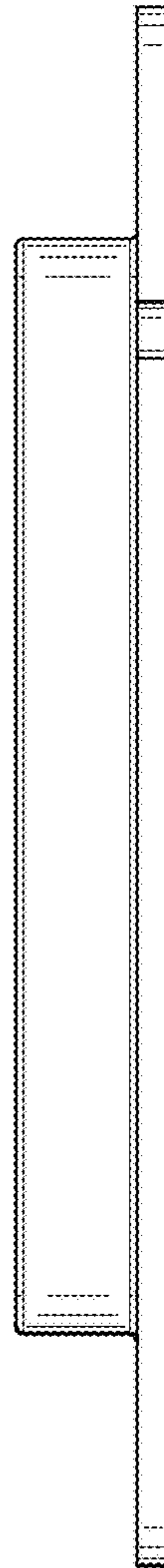
*Fig. 12.*



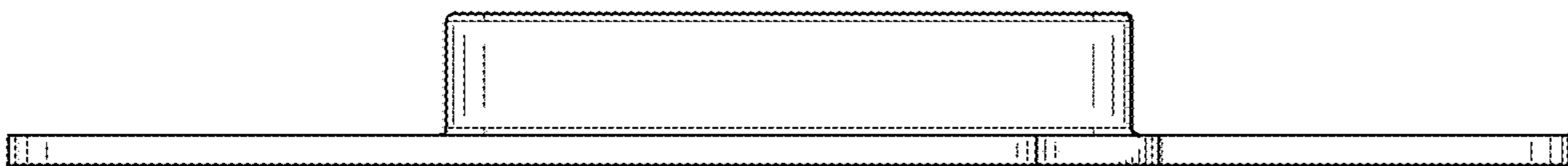
*Fig. 13.*



*Fig. 15.*



*Fig. 16.*



*Fig. 14.*