



US00D810694S

(12) **United States Design Patent** (10) **Patent No.:** **US D810,694 S**
Horino et al. (45) **Date of Patent:** **** Feb. 20, 2018**

(54) **ELECTRIC CONNECTOR**

(71) Applicant: **KYOCERA Corporation**, Kyoto-shi, Kyoto (JP)

(72) Inventors: **Shintaro Horino**, Santa Clara, CA (US); **Genta Yamazaki**, Sagamihara (JP)

(73) Assignee: **KYOCERA Corporation**, Kyoto-shi, Kyoto (JP)

(**) Term: **15 Years**

(21) Appl. No.: **29/596,737**

(22) Filed: **Mar. 10, 2017**

(30) **Foreign Application Priority Data**

Oct. 3, 2016 (JP) 2016-021499

(51) **LOC (11) Cl.** **13-03**

(52) **U.S. Cl.**
USPC **D13/147**

(58) **Field of Classification Search**
USPC D13/123, 133, 146, 147, 154, 156, 184, D13/199; D14/432, 433, 434, 435.1, 438
CPC H01R 12/55; H01R 12/58; H01R 12/592; H01R 12/616; H01R 12/62; H01R 12/70; H01R 12/7076; H01R 12/71; H01R 12/716; H01R 12/718; H01R 12/72; H01R 12/73; H01R 12/737; H01R 12/774; H01R 12/777; H01R 12/778; H01R 12/79

See application file for complete search history.

(56) **References Cited**

U.S. PATENT DOCUMENTS

D603,798 S *	11/2009	Obikane	D13/147
D603,801 S *	11/2009	Obikane	D13/147
D683,317 S *	5/2013	Nishimura	D13/147
D684,120 S *	6/2013	Miyazaki	D13/147
D688,210 S *	8/2013	Mashiyama	D13/147
D691,960 S *	10/2013	Miyazaki	D13/147
D720,298 S *	12/2014	Takenaga	D13/147
D774,464 S *	12/2016	Takenaga	D13/147

* cited by examiner

Primary Examiner — Daniel Bui

(74) *Attorney, Agent, or Firm* — Kenja IP Law PC

(57) **CLAIM**

The ornamental design for an electric connector, as shown and described.

DESCRIPTION

FIG. 1 is a top perspective view of an electric connector showing our new design;
 FIG. 2 is a bottom perspective view thereof;
 FIG. 3 is a front view thereof; a rear view thereof being a same image;
 FIG. 4 is a top view thereof;
 FIG. 5 is a right side view thereof; a left side view thereof being a mirror image;
 FIG. 6 is a bottom view thereof;
 FIG. 7 is a sectional view thereof taken along line 7-7 in FIG. 3;
 FIG. 8 is a sectional view thereof taken along line 8-8 in FIG. 3; and,
 FIG. 9 is a longitudinal central sectional view thereof.

1 Claim, 9 Drawing Sheets

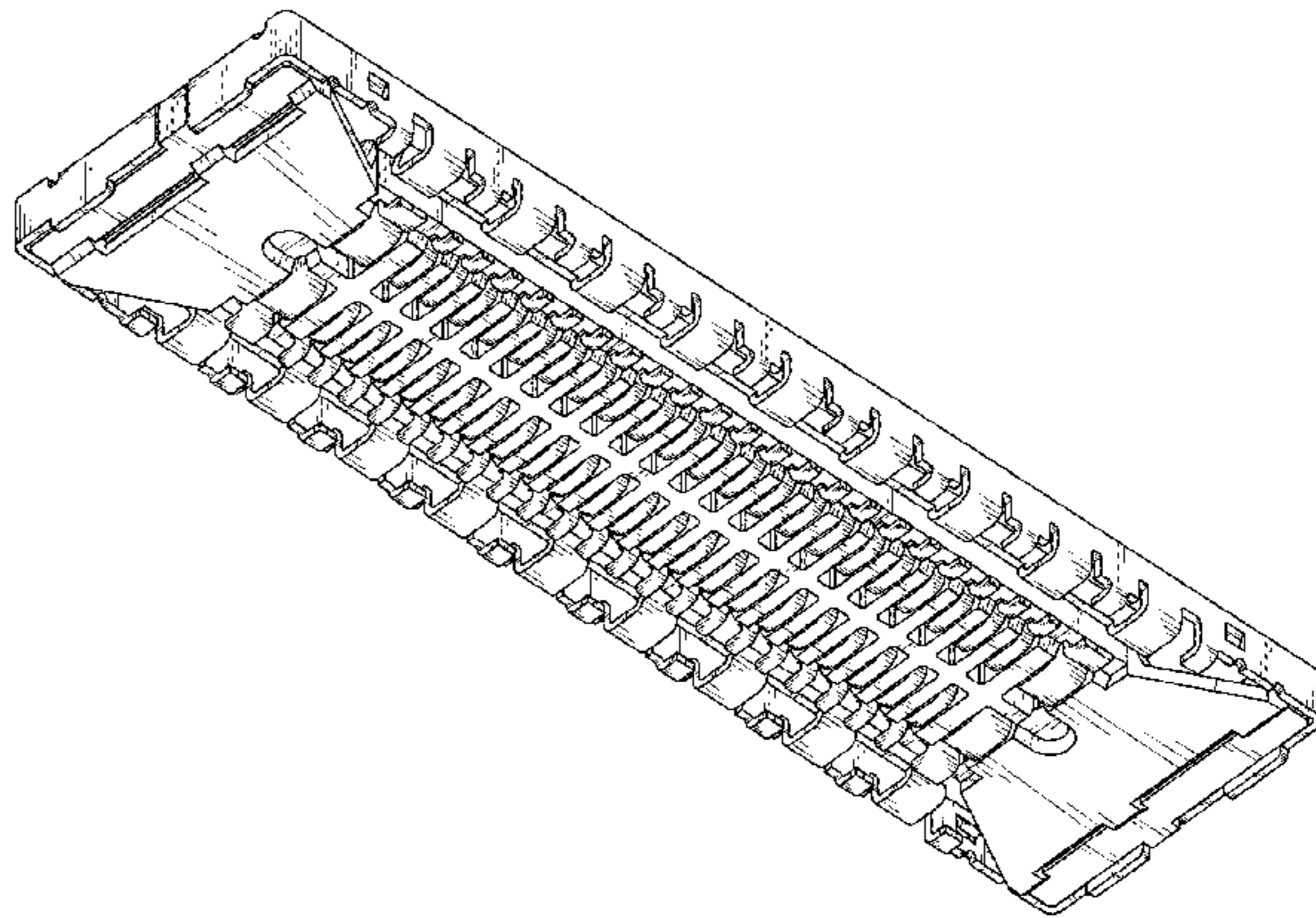
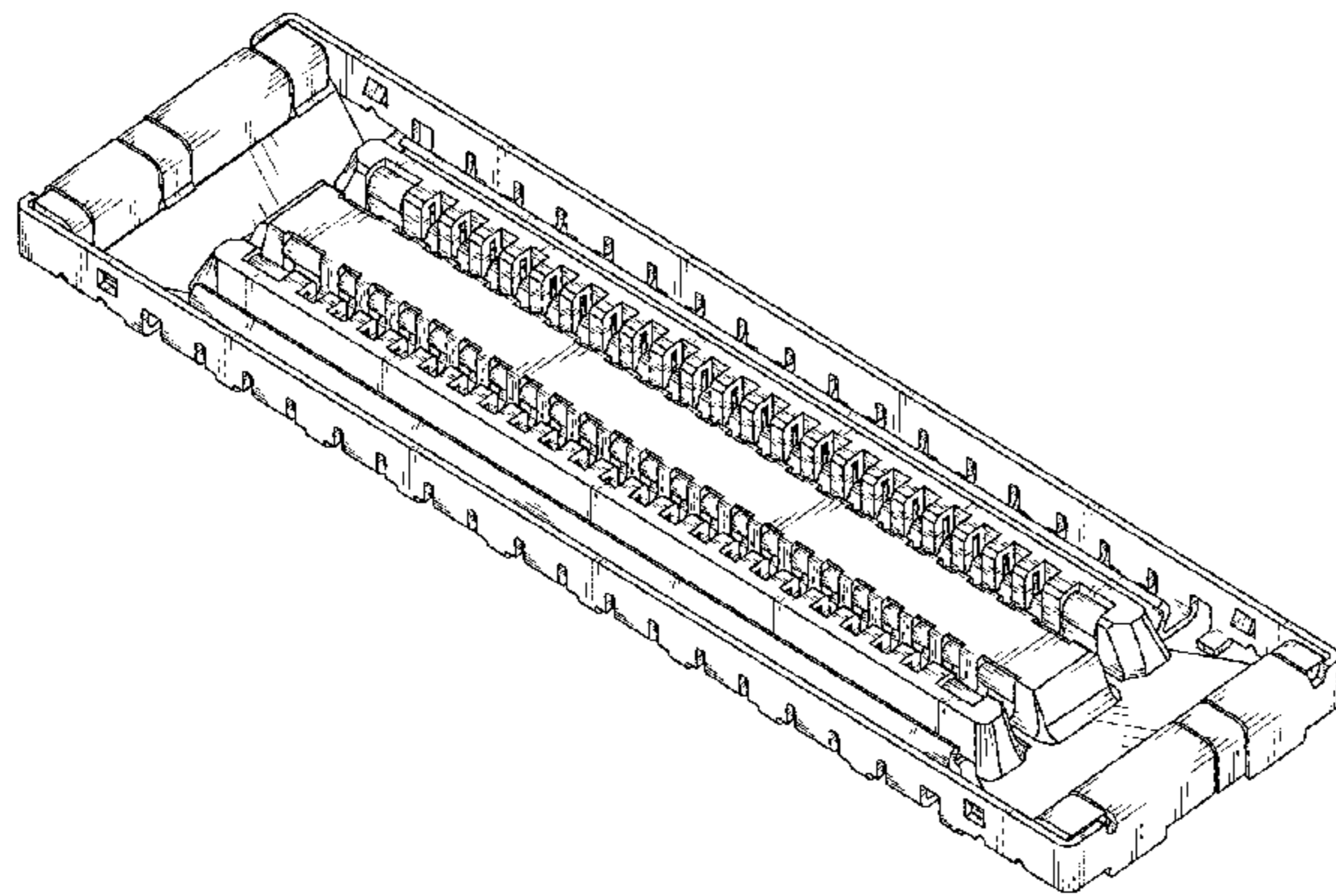


FIG. 1

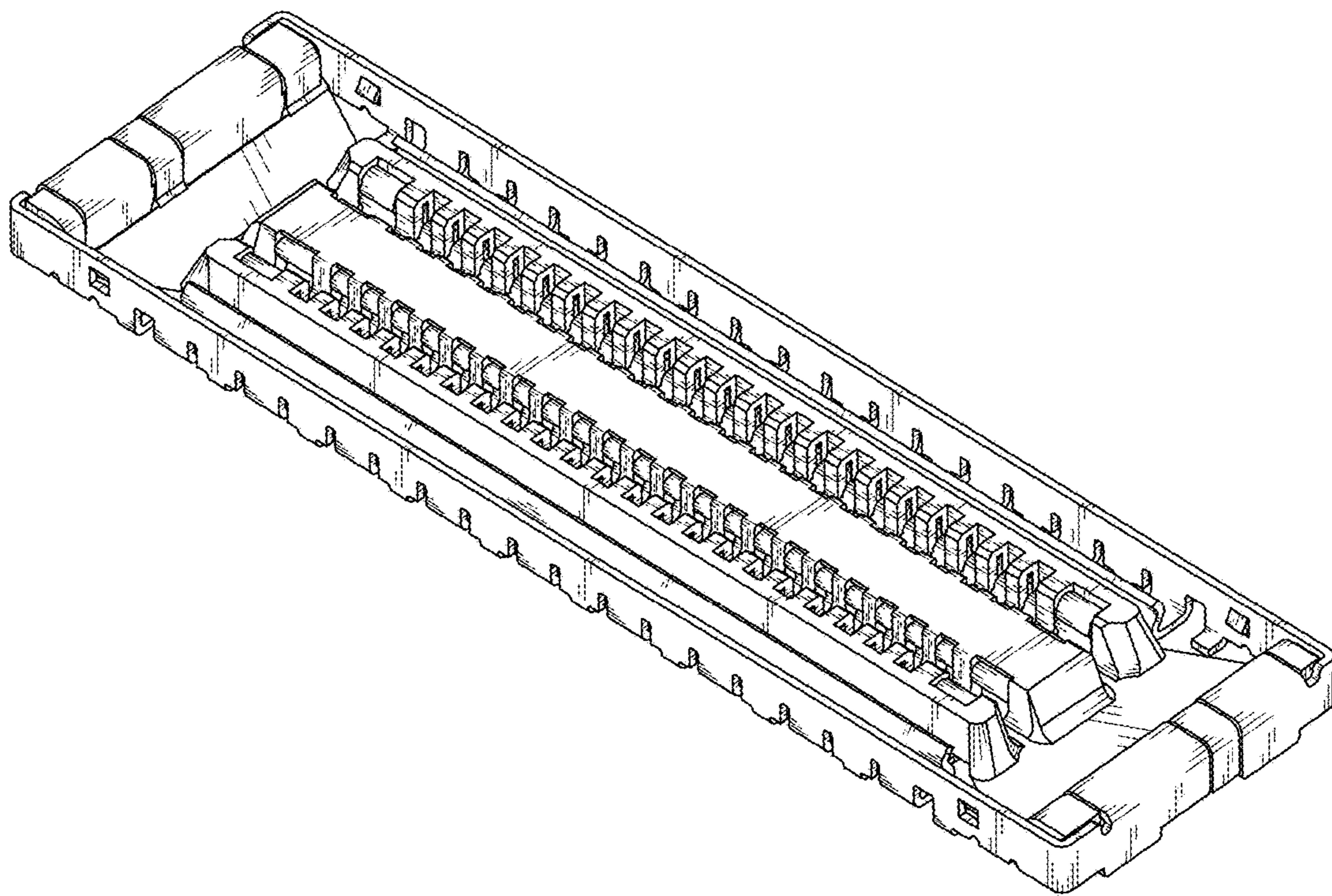


FIG. 2

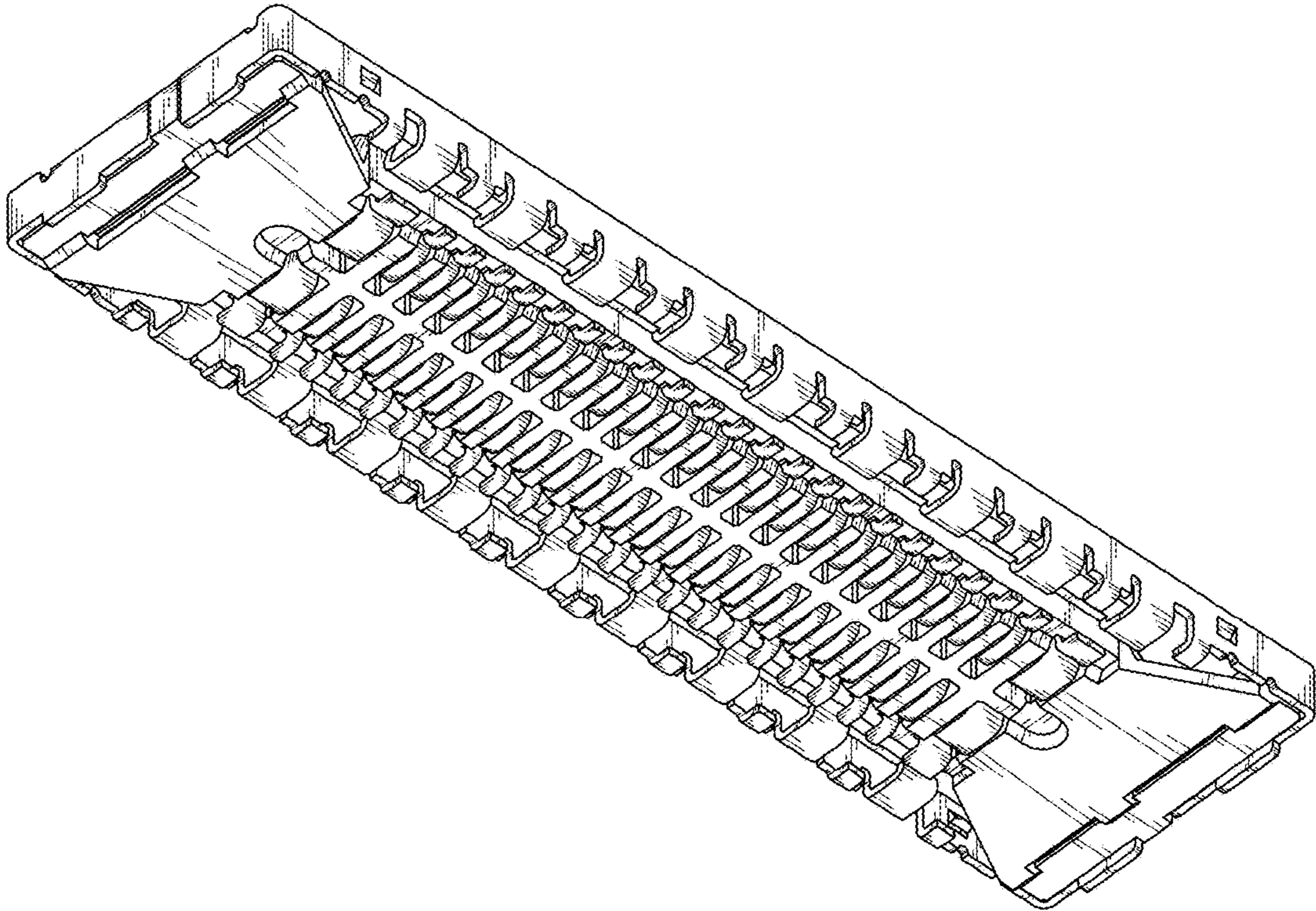


FIG. 3

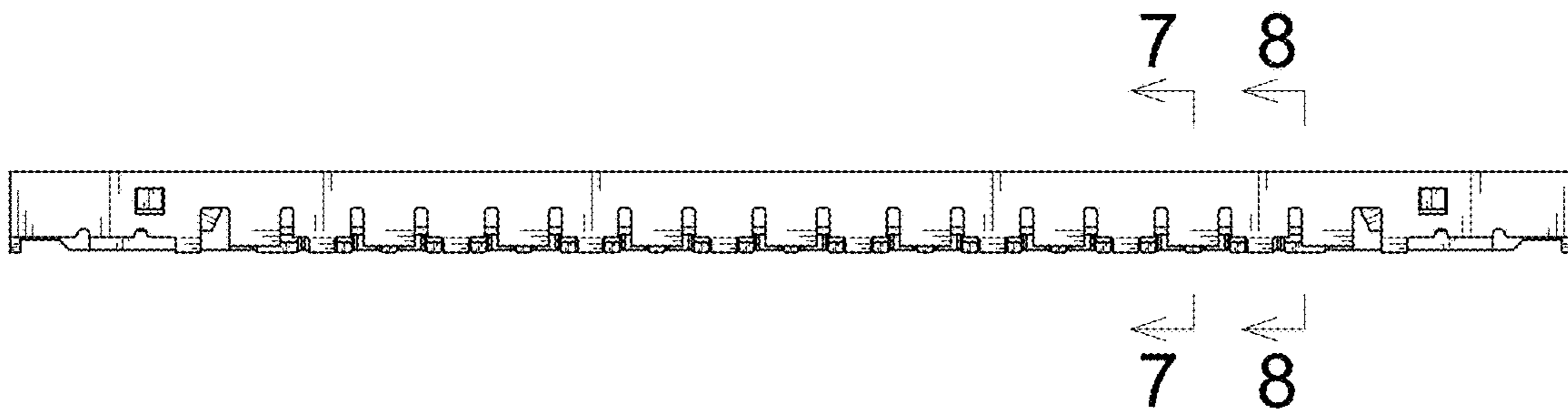


FIG. 4

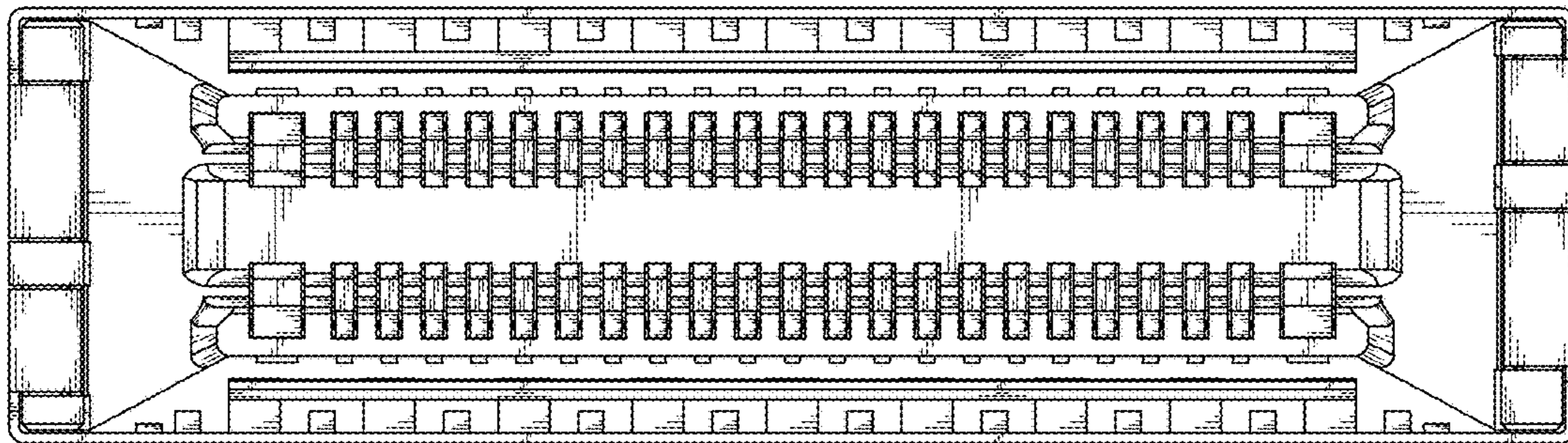


FIG. 5

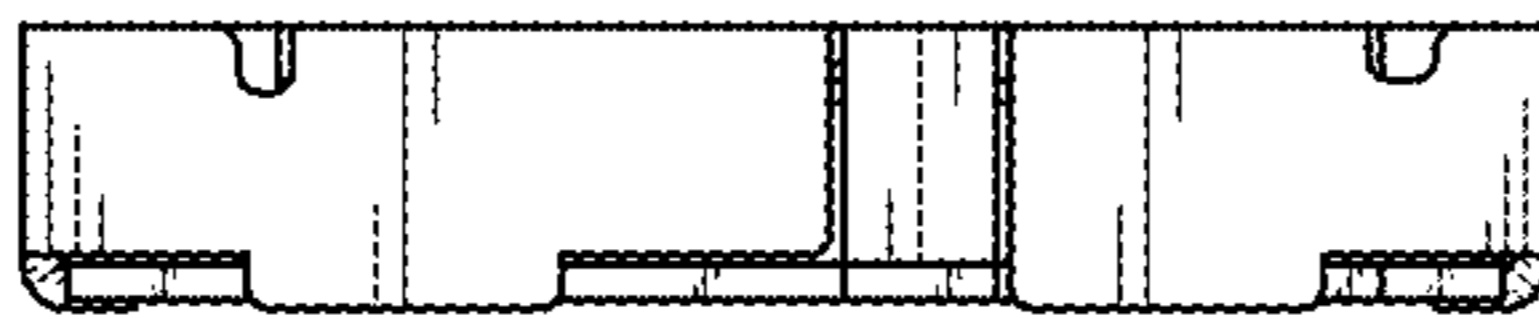


FIG. 6

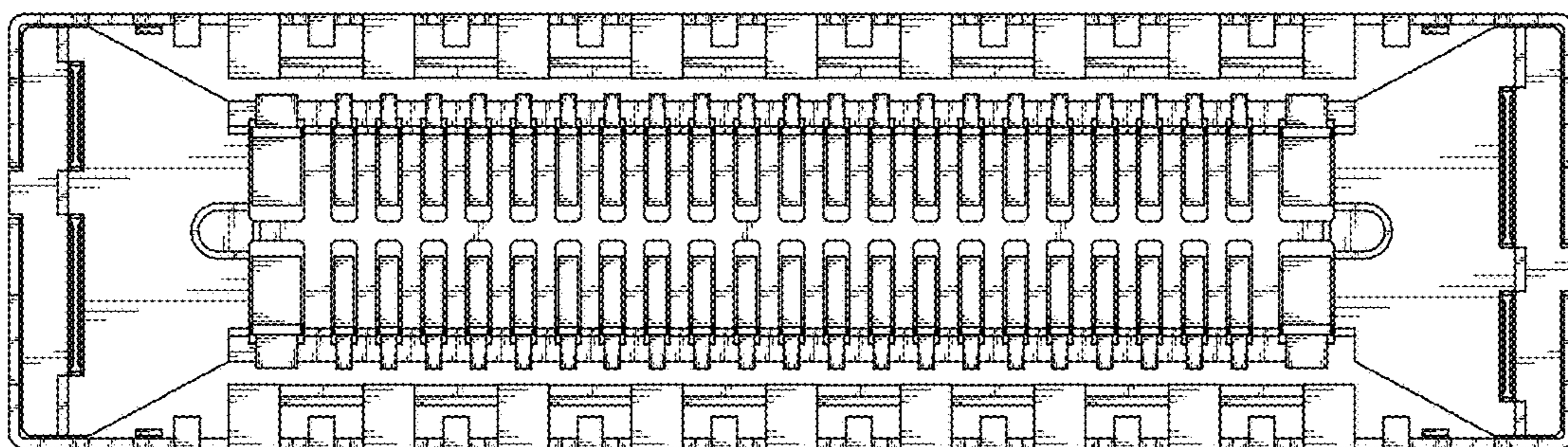


FIG. 7

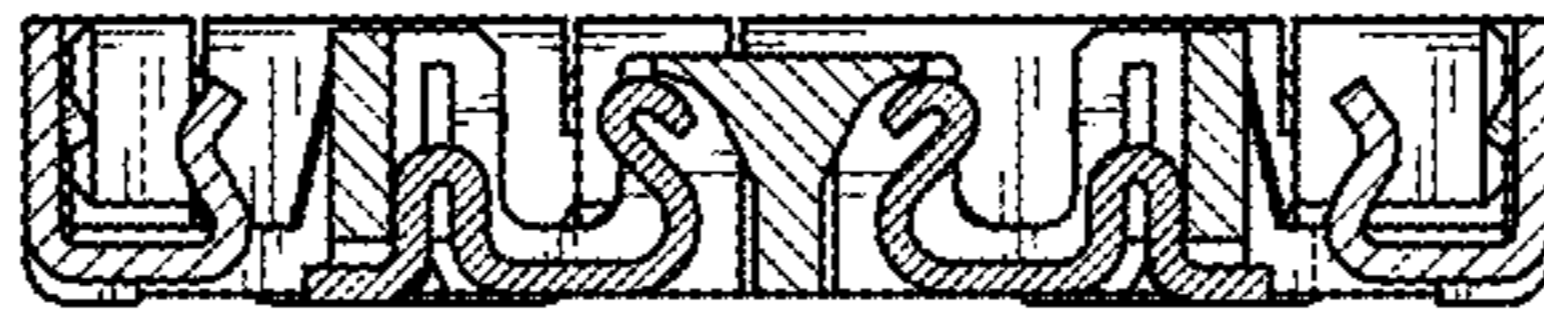


FIG. 8

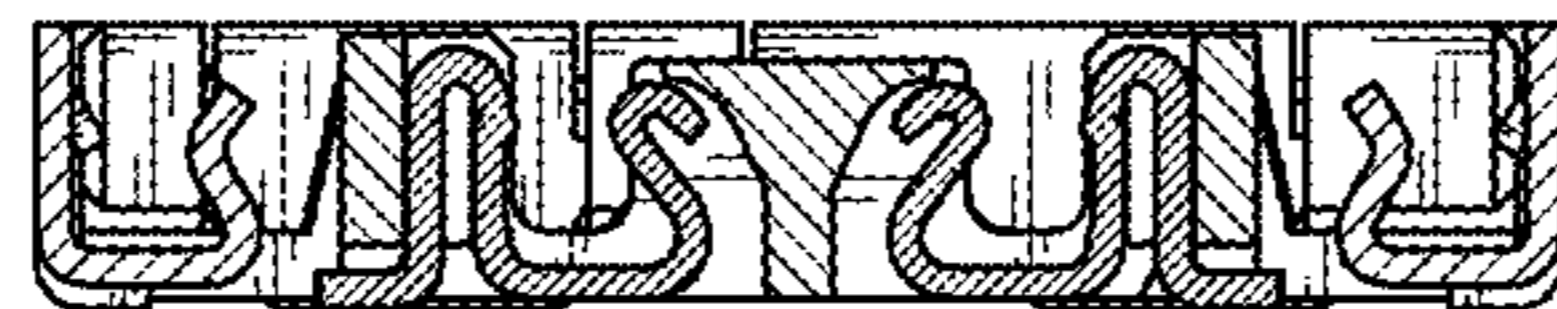


FIG. 9

