



US00D810691S

(12) **United States Design Patent**
Lambrecht

(10) **Patent No.:** **US D810,691 S**

(45) **Date of Patent:** **** Feb. 20, 2018**

(54) **CABLE CONNECTOR**

(71) Applicant: **Intuitive Surgical Operations, Inc.**,
Sunnyvale, CA (US)

(72) Inventor: **Bram Gilbert Antoon Lambrecht**,
Redwood City, CA (US)

(73) Assignee: **INTUITIVE SURGICAL**
OPERATIONS, INC., Sunnyvale, CA
(US)

(**) Term: **15 Years**

(21) Appl. No.: **29/571,124**

(22) Filed: **Jul. 14, 2016**

(51) **LOC (11) Cl.** **13-03**

(52) **U.S. Cl.**
USPC **D13/147**

(58) **Field of Classification Search**
USPC D13/133, 146, 147, 154, 184, 199
CPC H01R 12/58; H01R 12/592; H01R 12/616;
H01R 12/777; H01R 12/778; H01R
13/26; H01R 13/28; H01R 13/6315;
H01R 13/6586; H01R 13/6595
See application file for complete search history.

(56) **References Cited**

U.S. PATENT DOCUMENTS

D188,419 S * 7/1960 Danesi D13/146
D563,884 S * 3/2008 Dever D13/147

D691,090 S * 10/2013 Dachs D13/146
D691,092 S * 10/2013 Dachs D13/146
D697,030 S * 1/2014 Ledinger D13/146
D702,642 S * 4/2014 Dachs, II D13/146
D703,140 S * 4/2014 Dachs, II D13/146
D746,777 S * 1/2016 Laven D13/146
D784,929 S * 4/2017 Makimura D13/147

* cited by examiner

Primary Examiner — Daniel Bui

(74) *Attorney, Agent, or Firm* — Jones Robb, PLLC

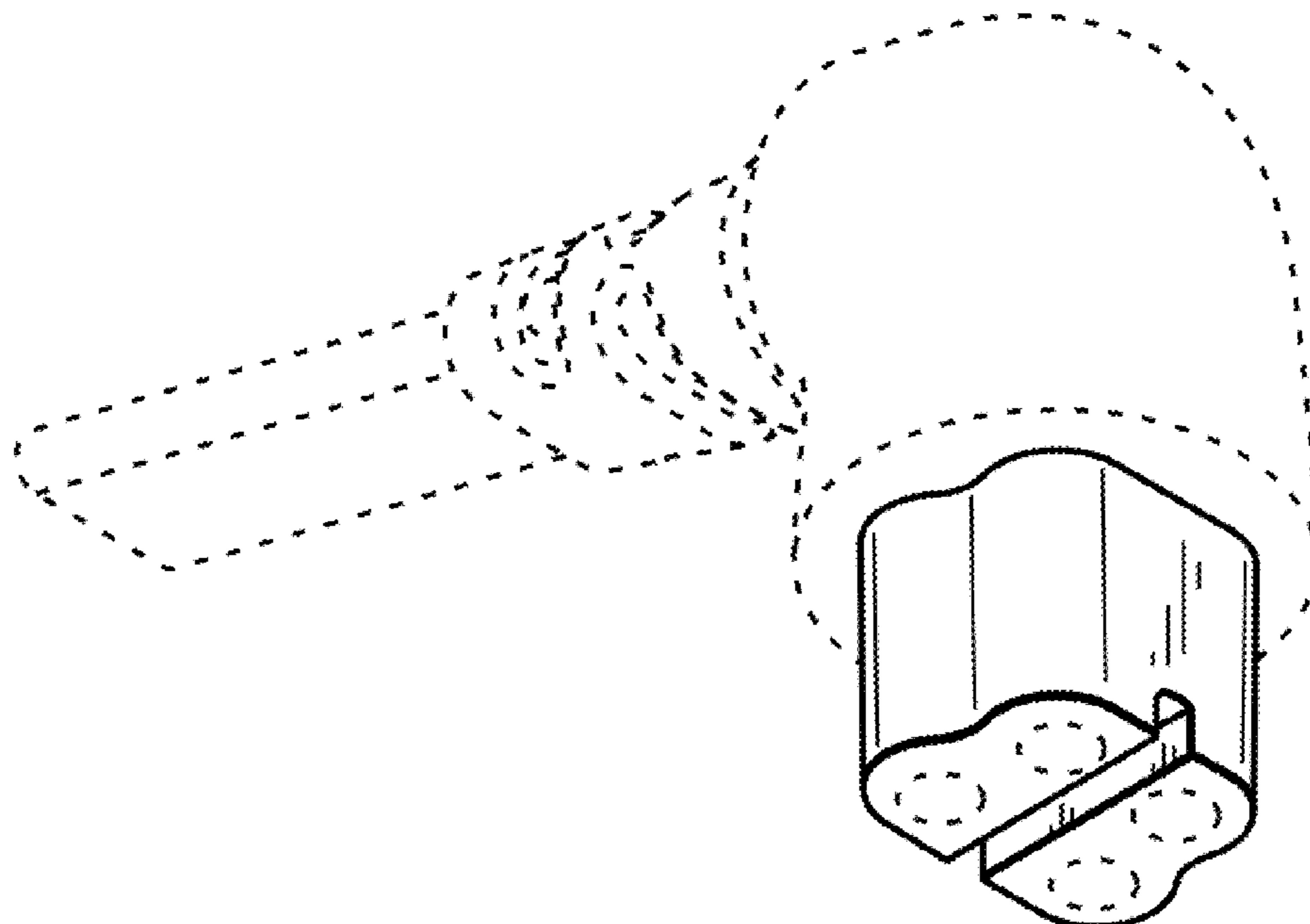
(57) **CLAIM**

The ornamental design for a cable connector, as shown and described.

DESCRIPTION

FIG. 1 is a perspective view of a cable connector showing my new design.
FIG. 2 is another perspective view thereof.
FIG. 3 is a front view thereof.
FIG. 4 is a bottom view of thereof.
FIG. 5 is a left side view thereof.
FIG. 6 is a top view thereof; and,
FIG. 7 is a right side view thereof.
The shade lines in the Figures show surface contour and not surface ornamentation
Portions of the figures depicted in broken lines show environmental structure and form no part of the claimed design.

1 Claim, 2 Drawing Sheets



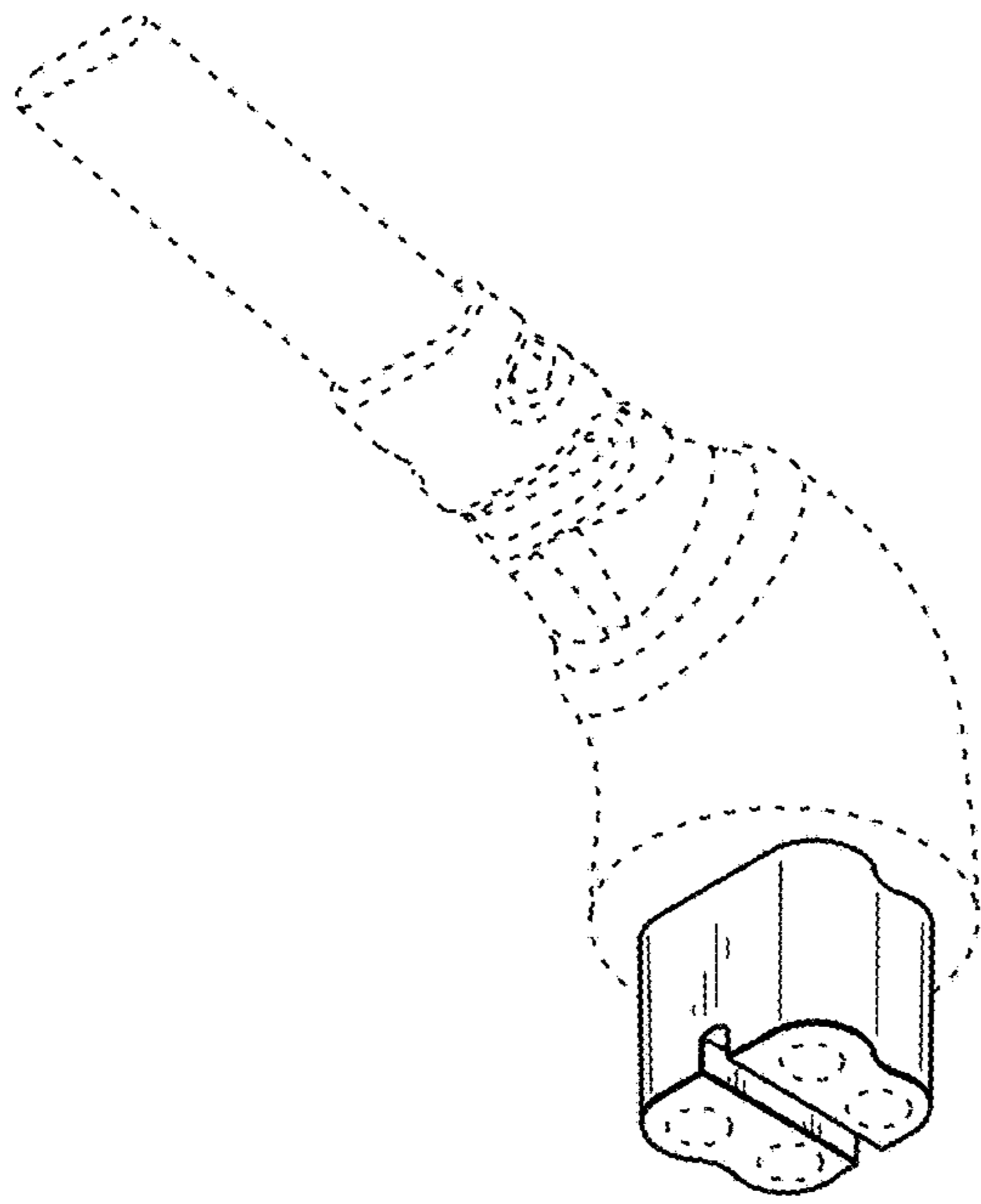


FIG. 1

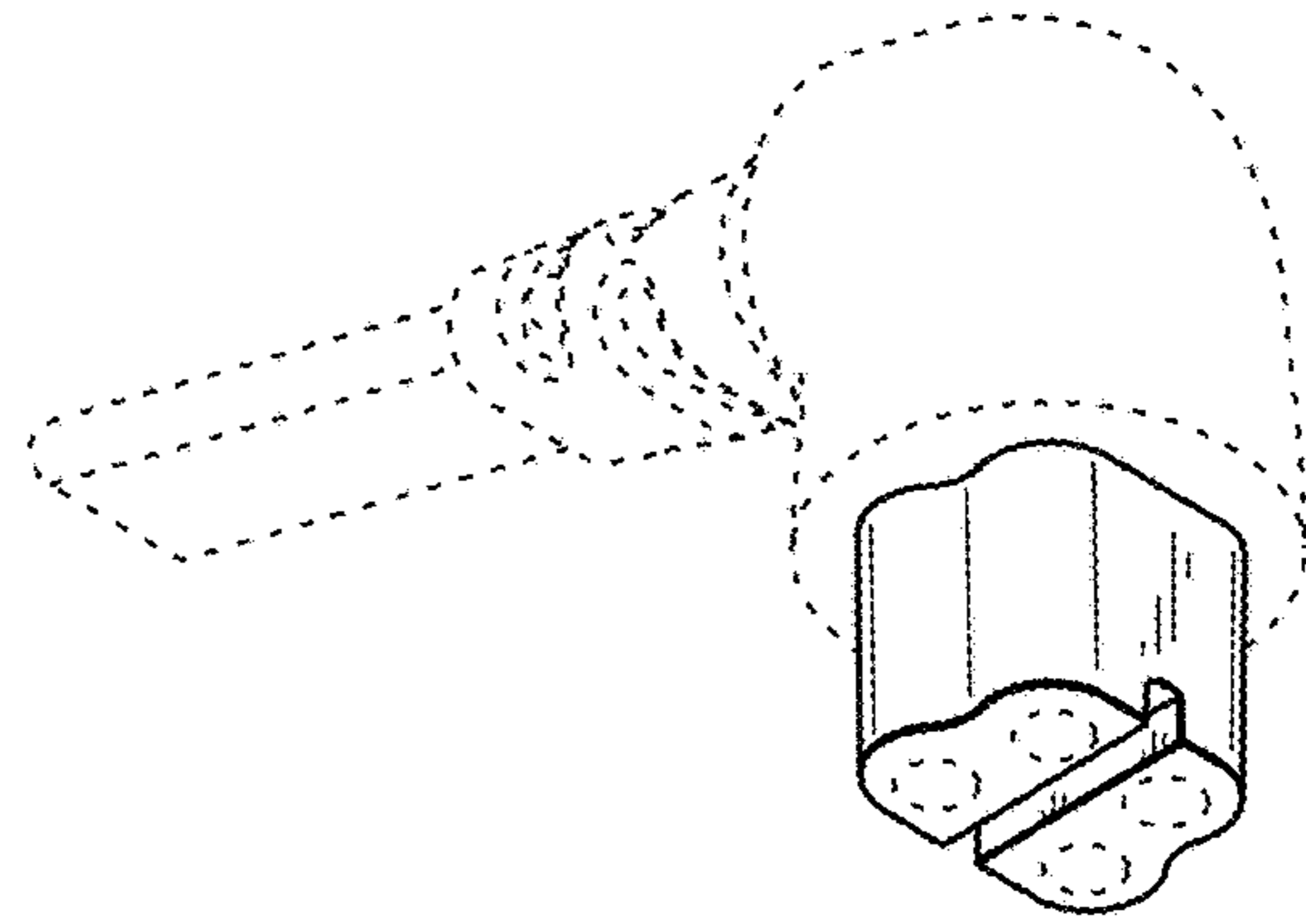


FIG. 2

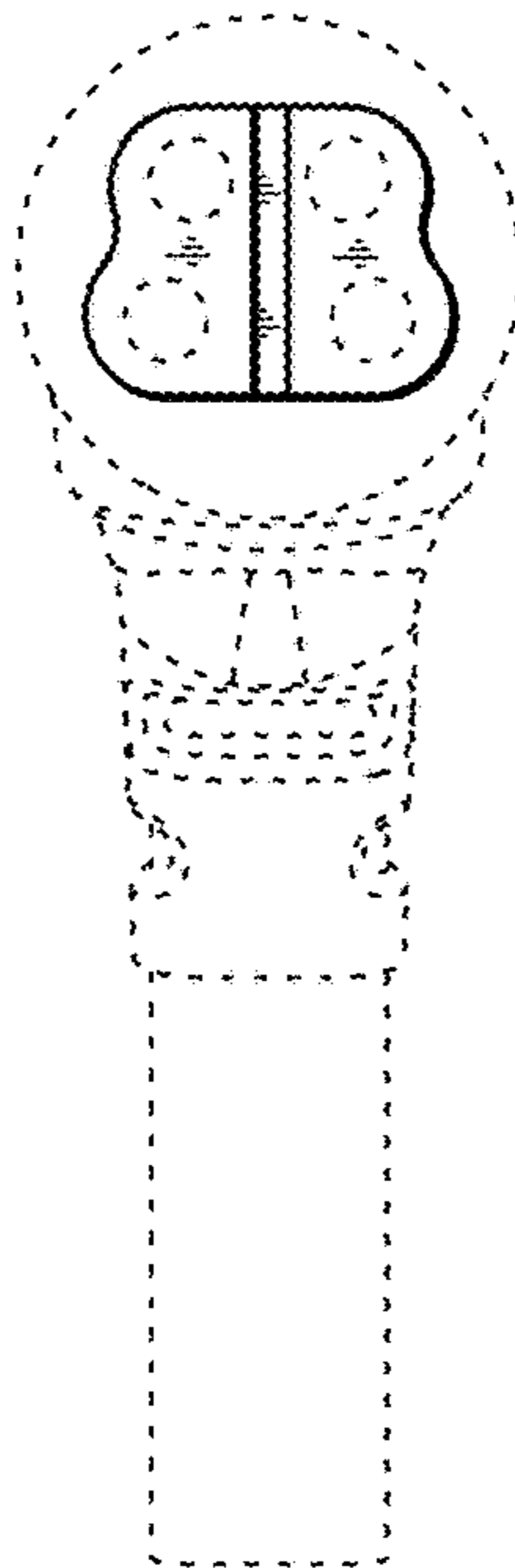


FIG. 3

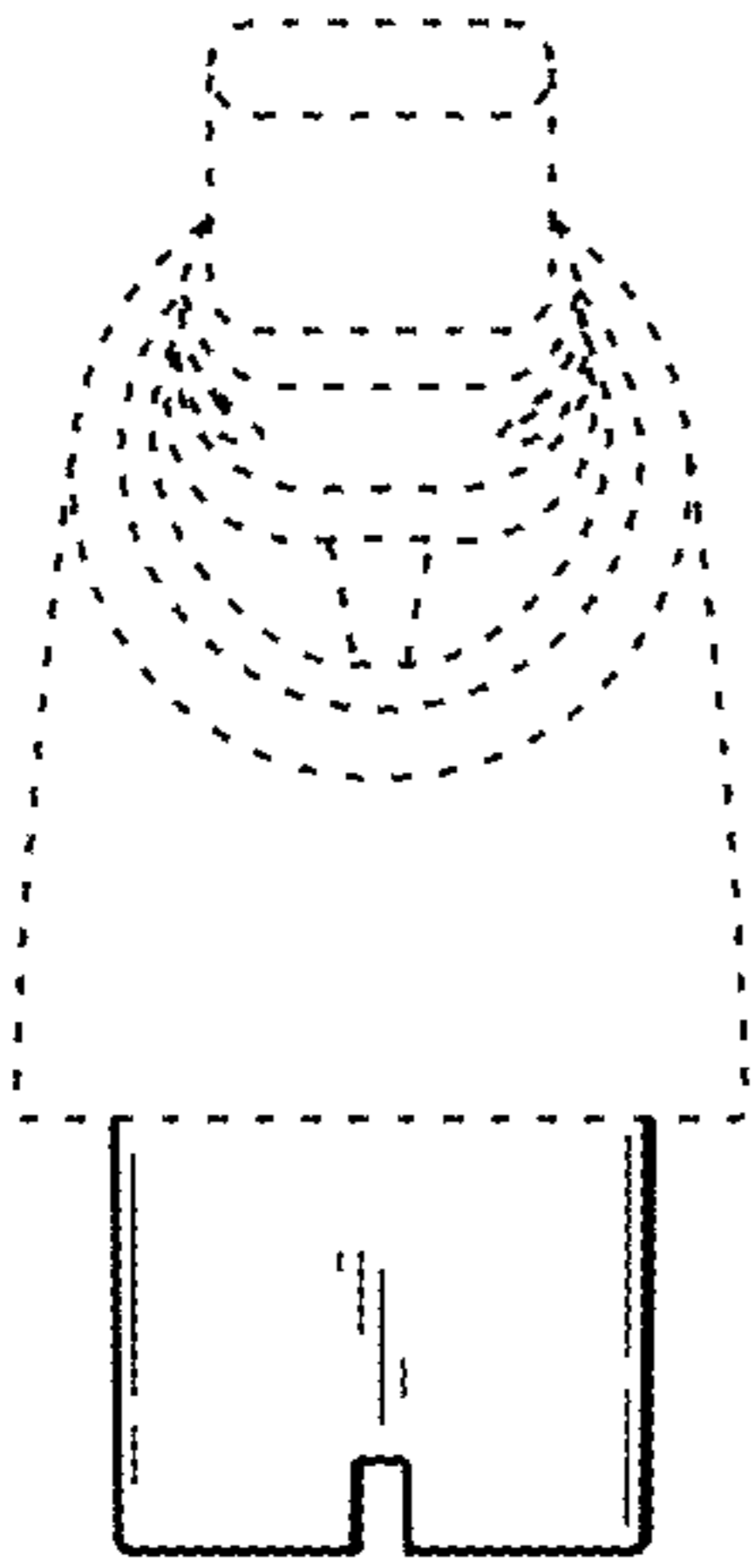


FIG. 4

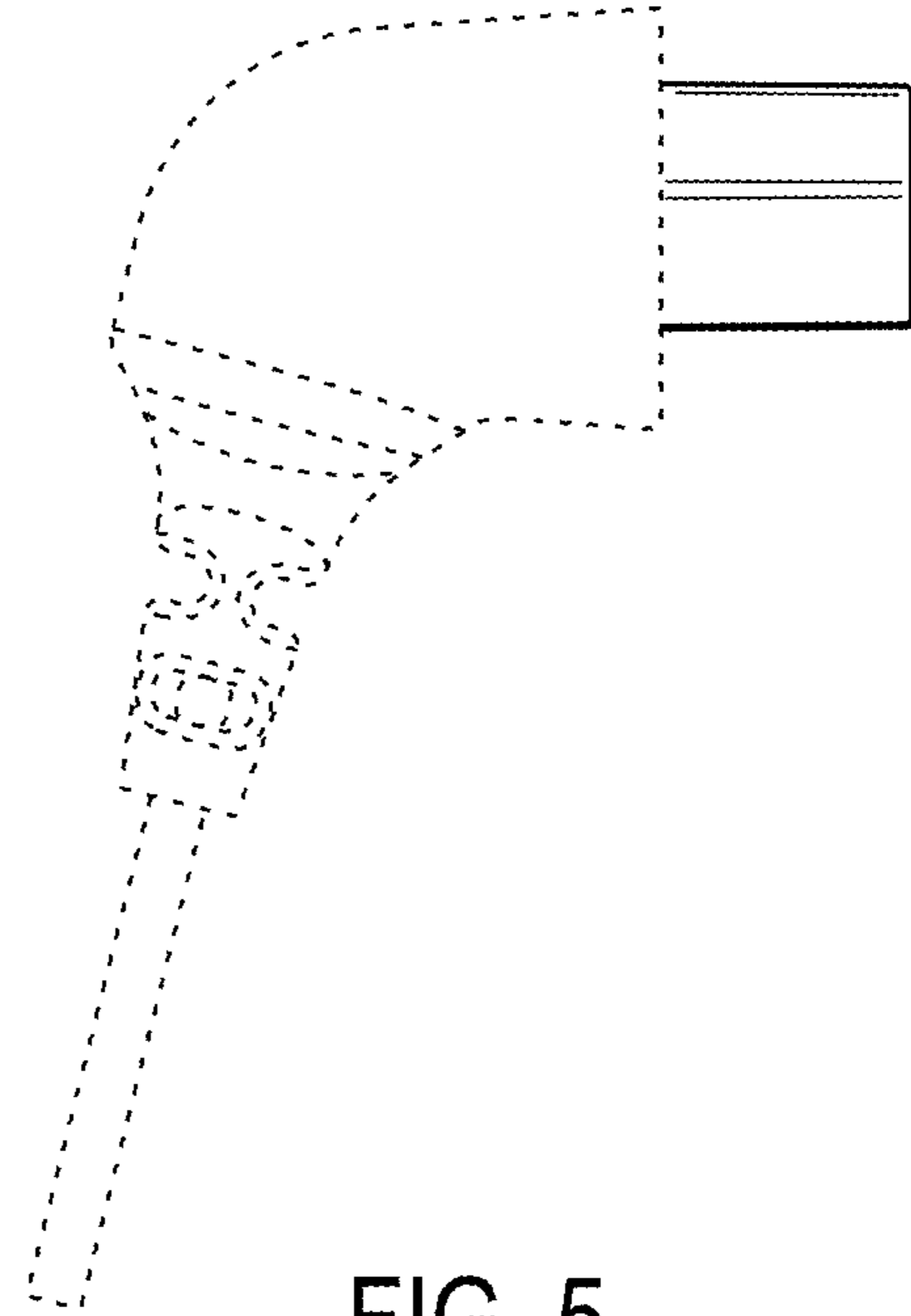


FIG. 5

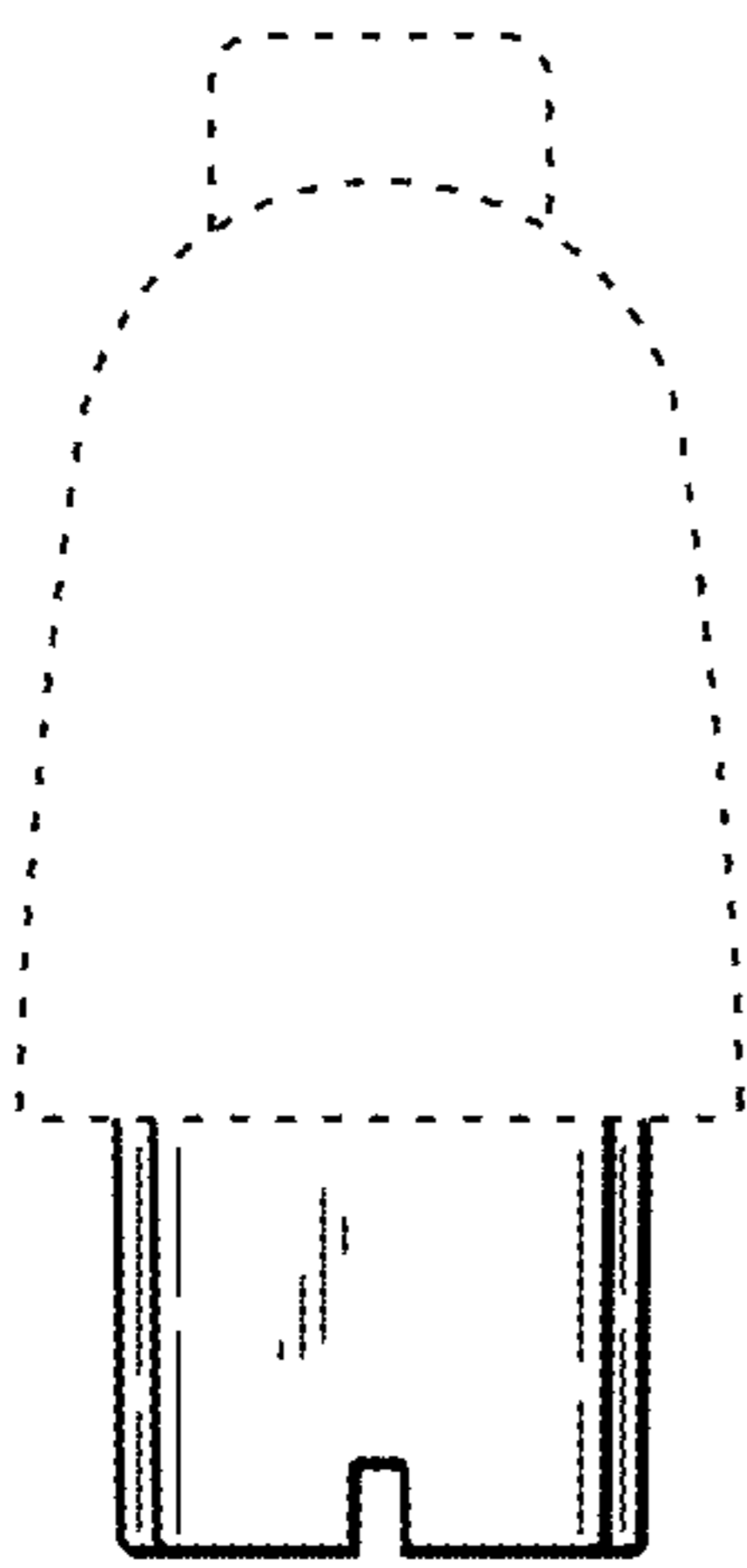


FIG. 6

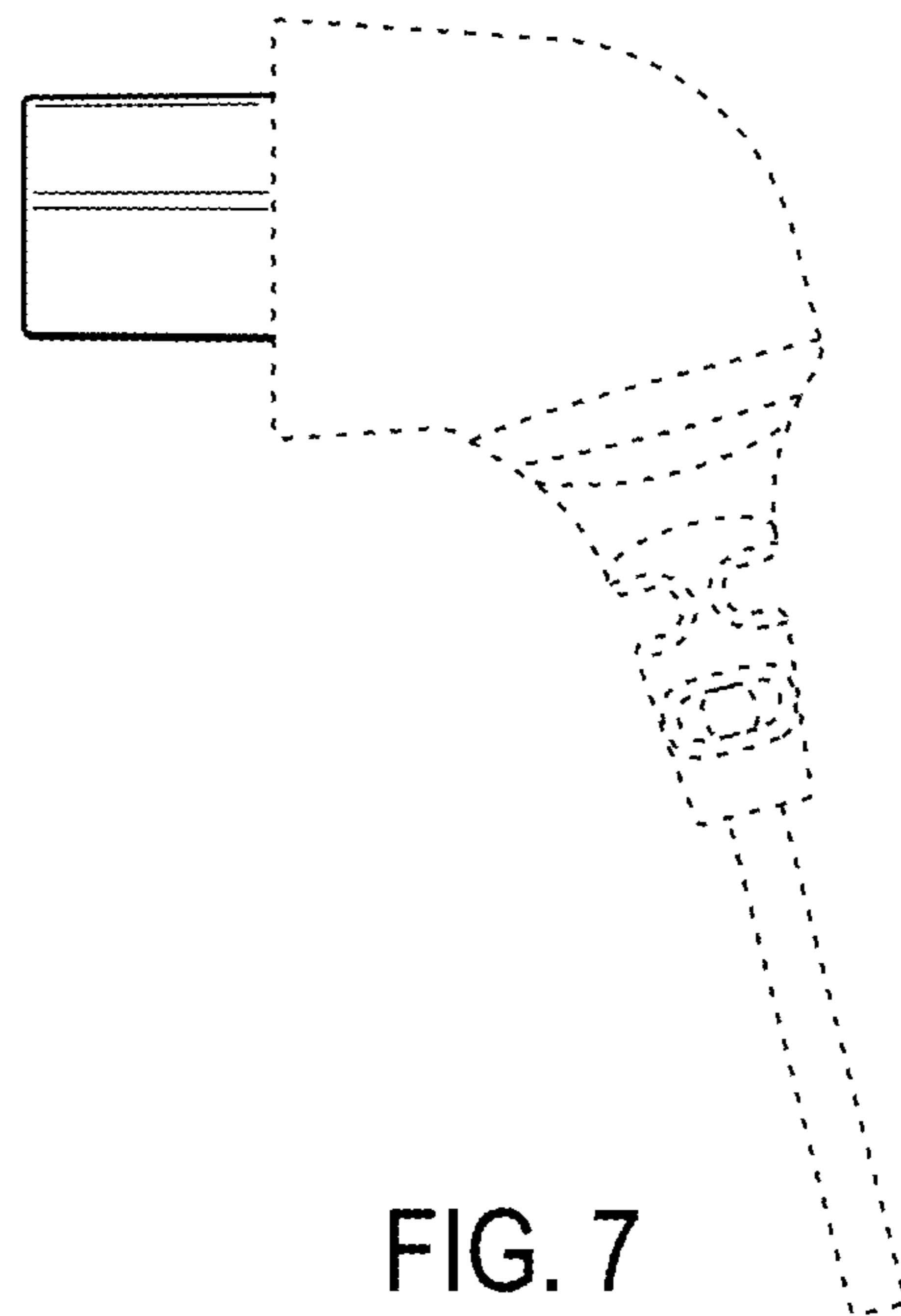


FIG. 7