



US00D810689S

(12) **United States Design Patent**
Takano

(10) **Patent No.:** **US D810,689 S**

(45) **Date of Patent:** **** Feb. 20, 2018**

(54) **ELECTRIC CONNECTOR**

(71) Applicant: **SMK Corporation**, Tokyo (JP)

(72) Inventor: **Ryutaro Takano**, Tokyo (JP)

(73) Assignee: **SMK Corporation**, Tokyo (JP)

(**) Term: **15 Years**

(21) Appl. No.: **29/558,077**

(22) Filed: **Mar. 15, 2016**

(30) **Foreign Application Priority Data**

Sep. 30, 2015 (JP) D2015-021428

(51) **LOC (11) Cl.** **13-03**

(52) **U.S. Cl.**
USPC **D13/147**

(58) **Field of Classification Search**
USPC D13/133, 146, 147, 154, 182, 184, 199;
D14/433, 434, 435.1, 438
CPC H01R 12/7052; H01R 12/7076; H01R
12/73; H01R 13/20; H01R 13/6271;
H01R 13/6272; H01R 13/629; H01R
13/631; H01R 13/64; H01R 13/658;
H01R 13/65802; H01R 13/6581

See application file for complete search history.

(56) **References Cited**

U.S. PATENT DOCUMENTS

D308,511 S * 6/1990 Makita D13/146
D309,289 S * 7/1990 Endo D13/147

D319,625 S * 9/1991 Nagasaka D13/146
D326,084 S * 5/1992 Nagasaka D13/147
D610,996 S * 3/2010 Sakamoto D13/147
D629,359 S * 12/2010 Sakamoto D13/147
D630,585 S * 1/2011 Sakamoto D13/147
D639,250 S * 6/2011 Svelnis D13/154
D639,744 S * 6/2011 Smith D13/146

* cited by examiner

Primary Examiner — Daniel Bui

(74) *Attorney, Agent, or Firm* — Locke Lord LLP

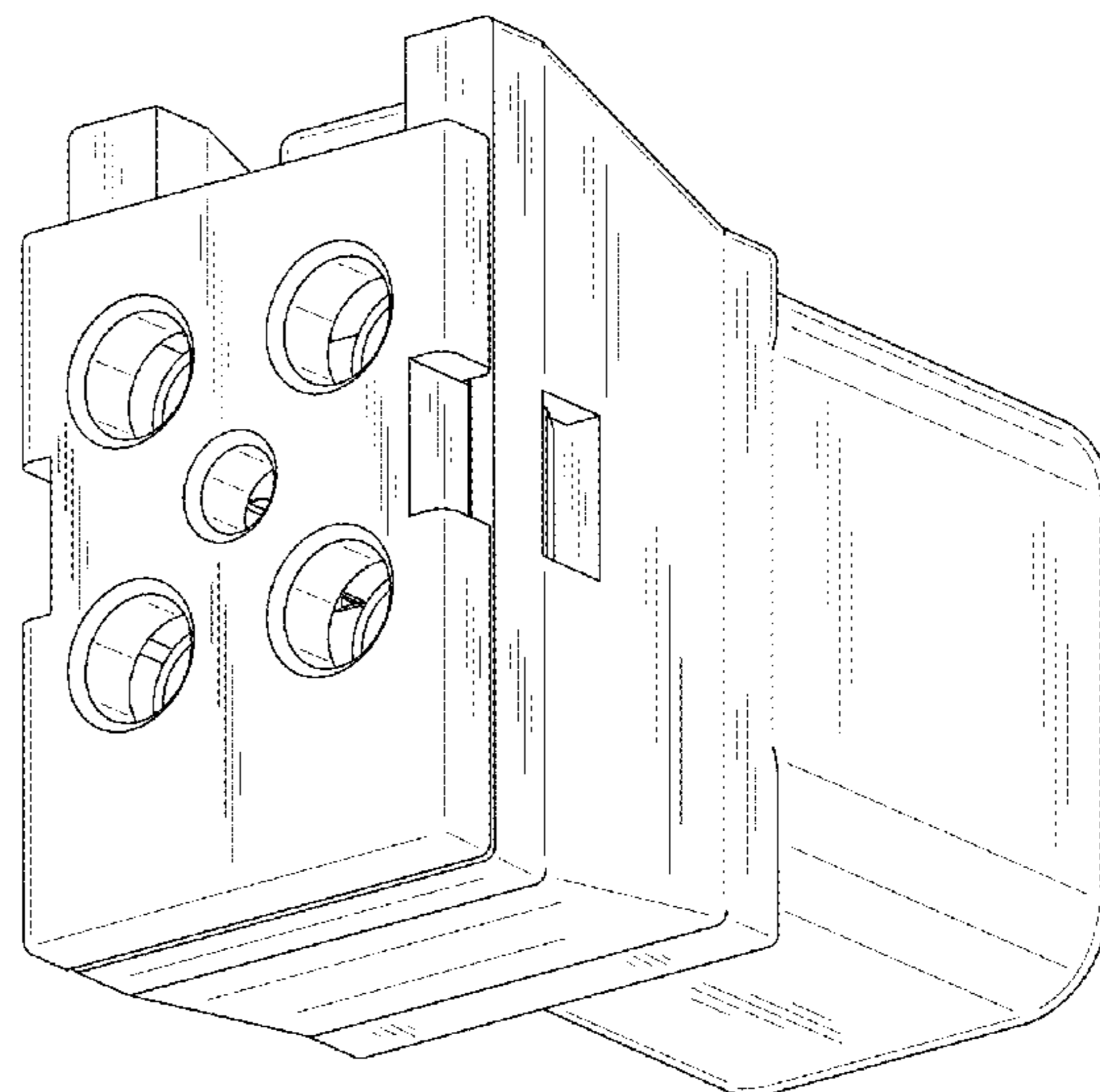
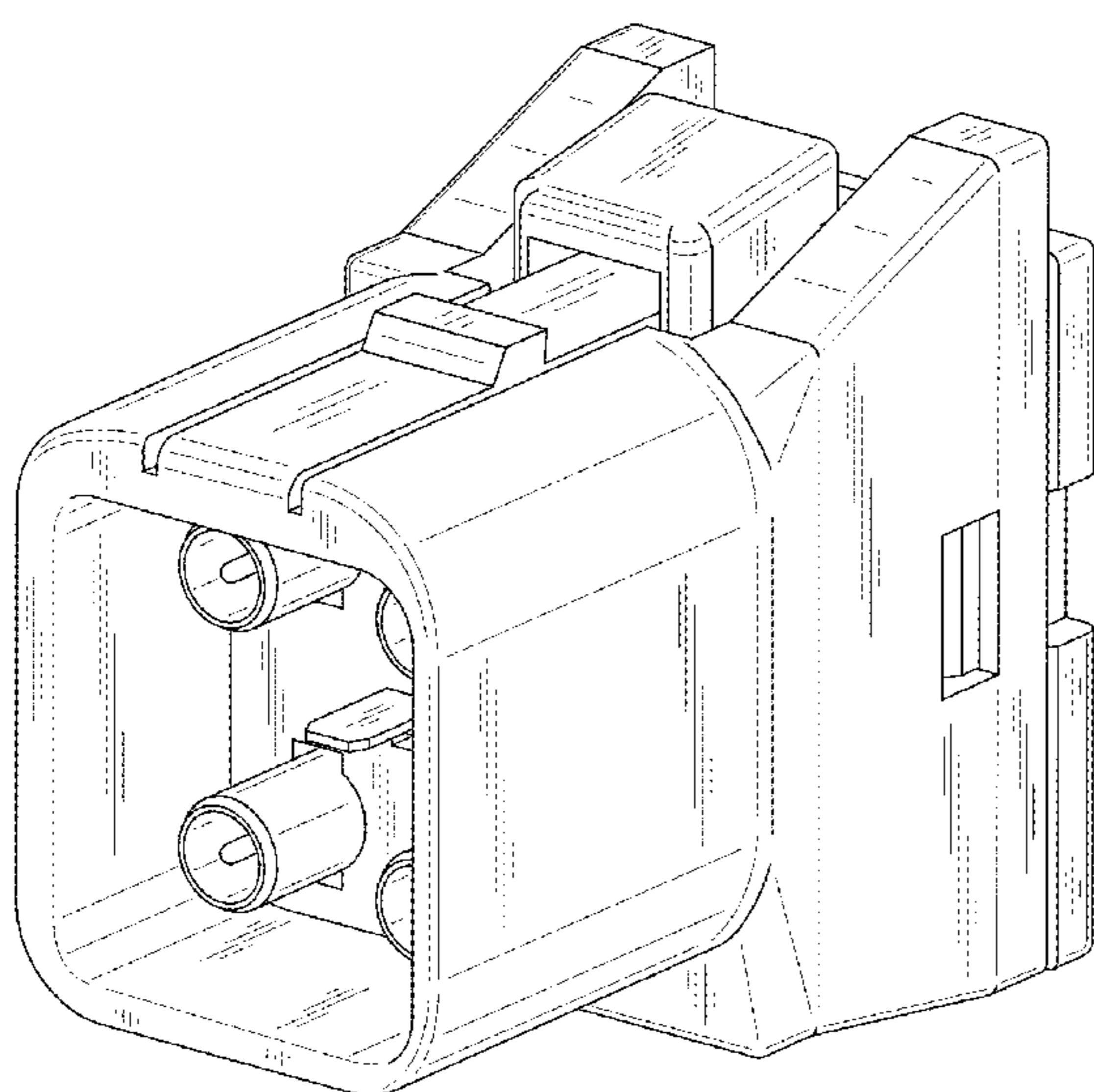
(57) **CLAIM**

The ornamental design for an electric connector, as shown and described.

DESCRIPTION

FIG. 1 is a front perspective view of an electric connector showing my new design;
FIG. 2 is a rear perspective view thereof;
FIG. 3 is a front elevation view thereof;
FIG. 4 is a rear elevation view thereof;
FIG. 5 is a top plan view thereof;
FIG. 6 is a bottom plan view thereof; and,
FIG. 7 is a right-side elevation view thereof.
The broken line in the drawing views is included for the purpose of illustrating unclaimed environment and forms no part of the claimed design.

1 Claim, 7 Drawing Sheets



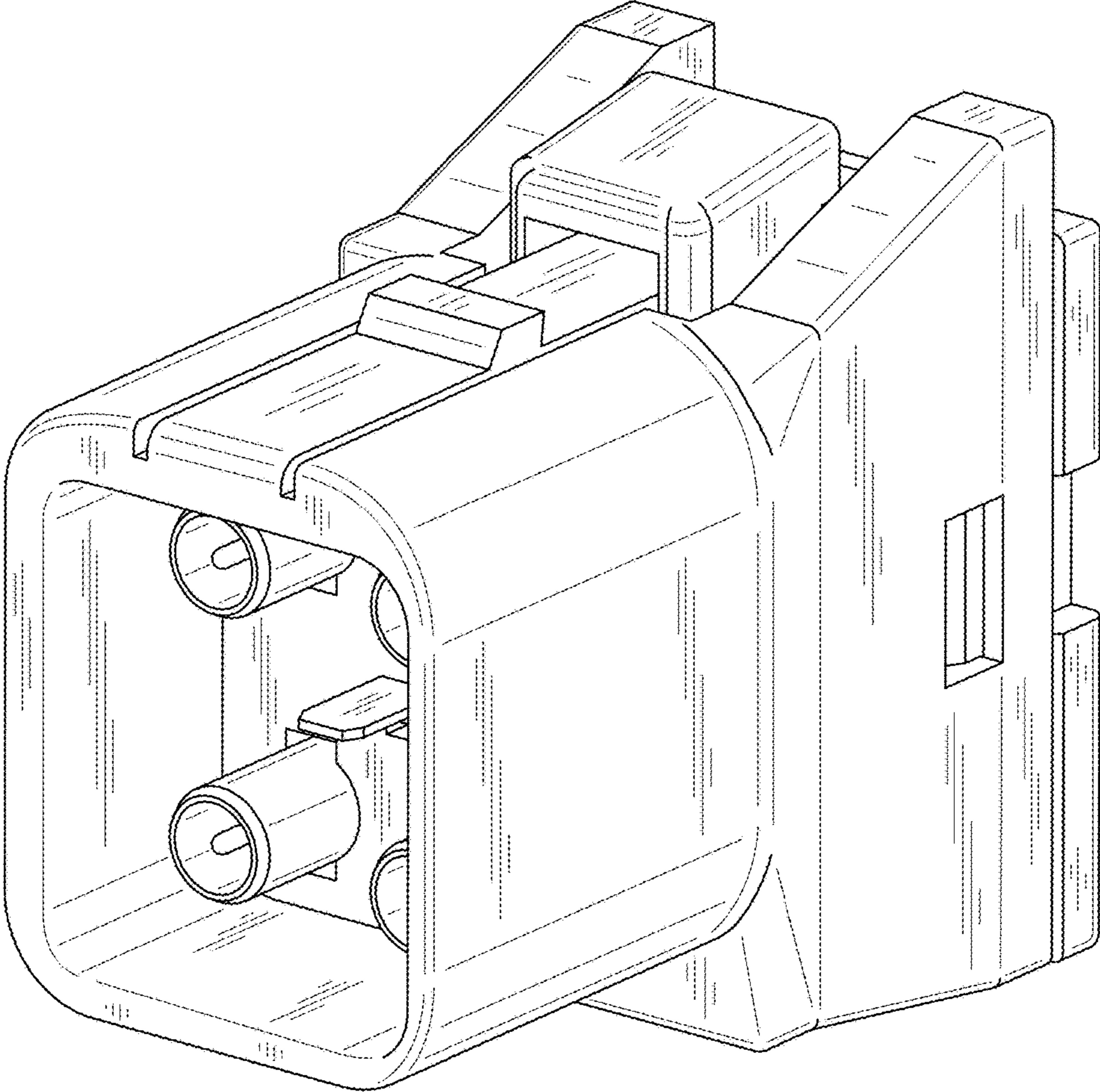


FIG. 1

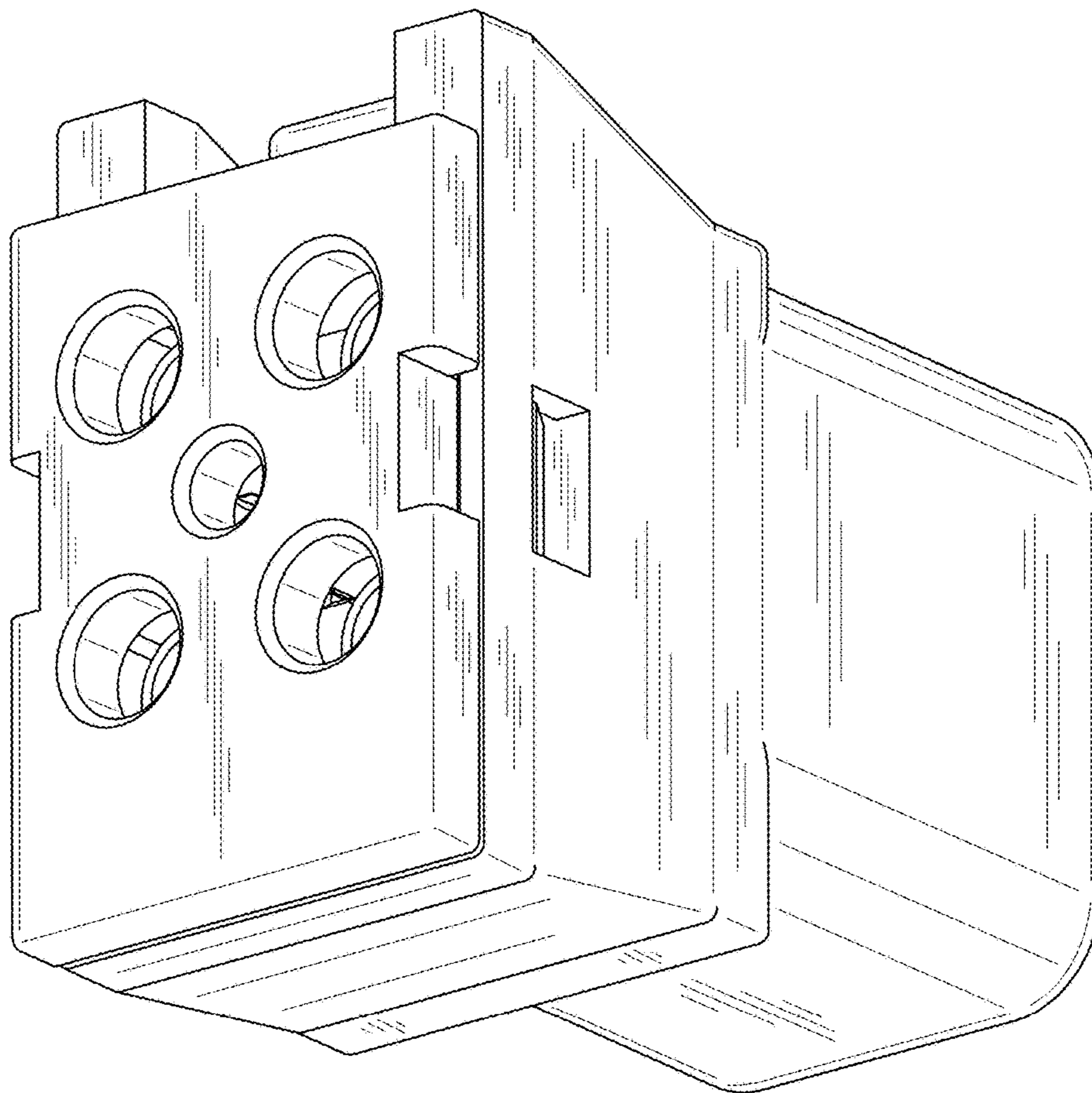


FIG. 2

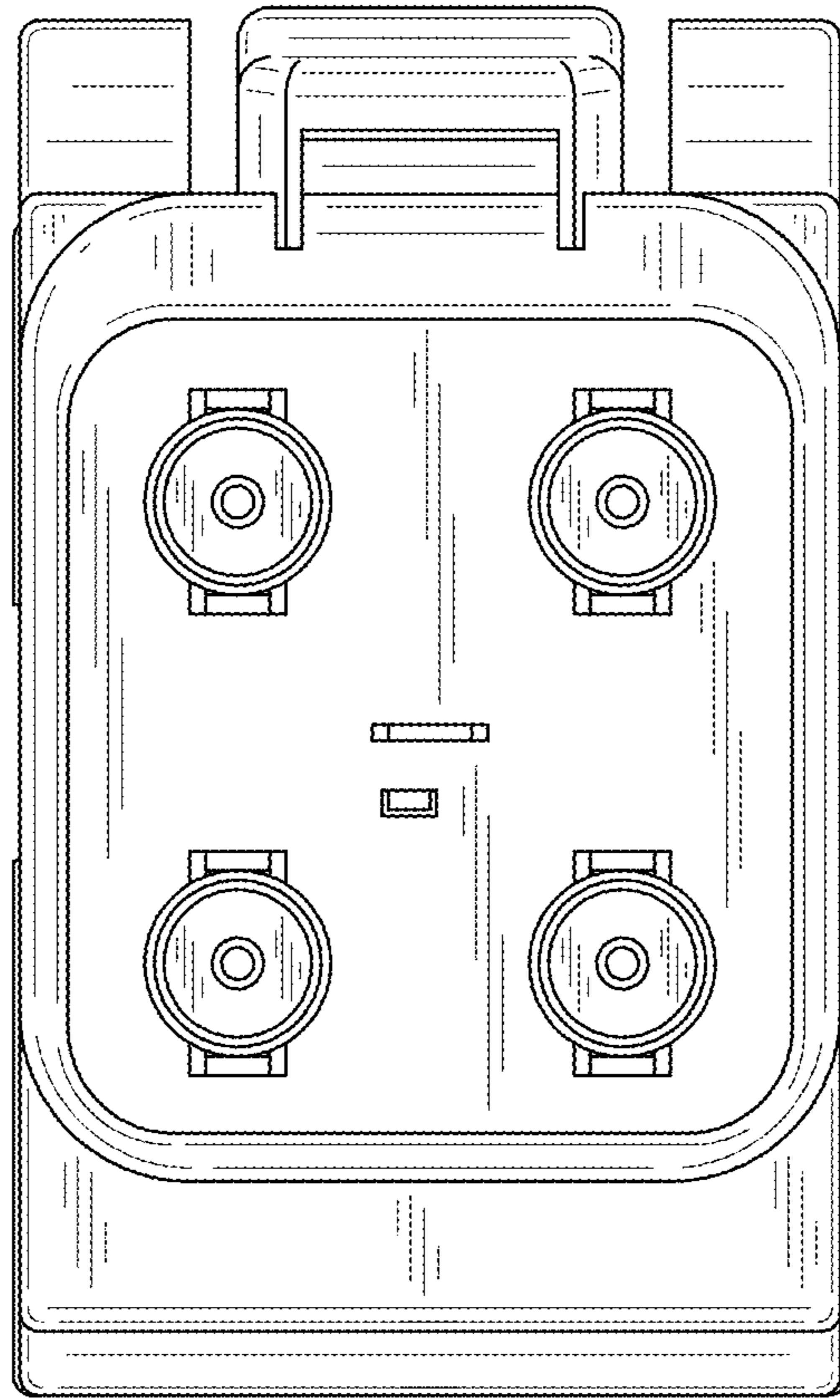


FIG. 3

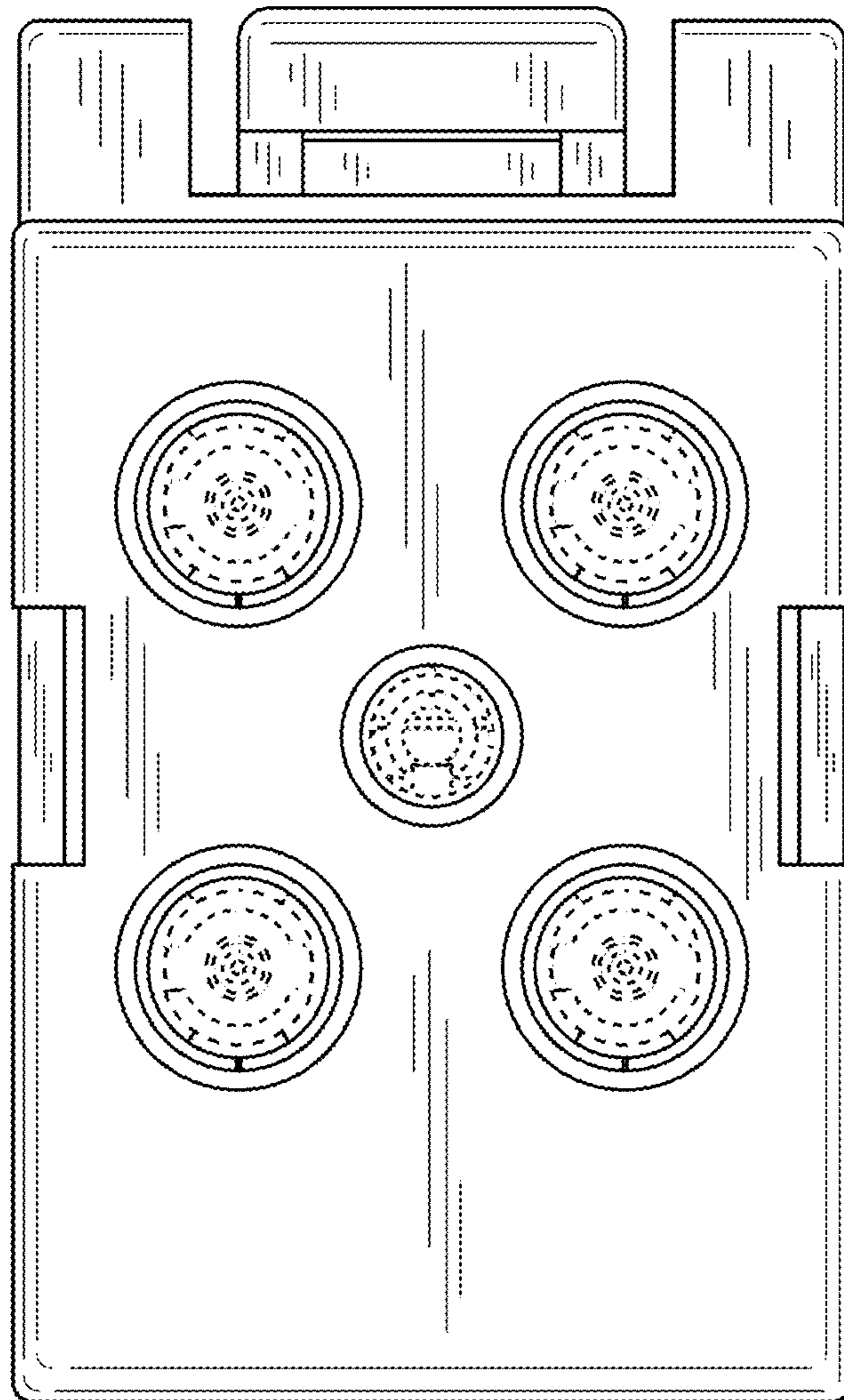


FIG. 4

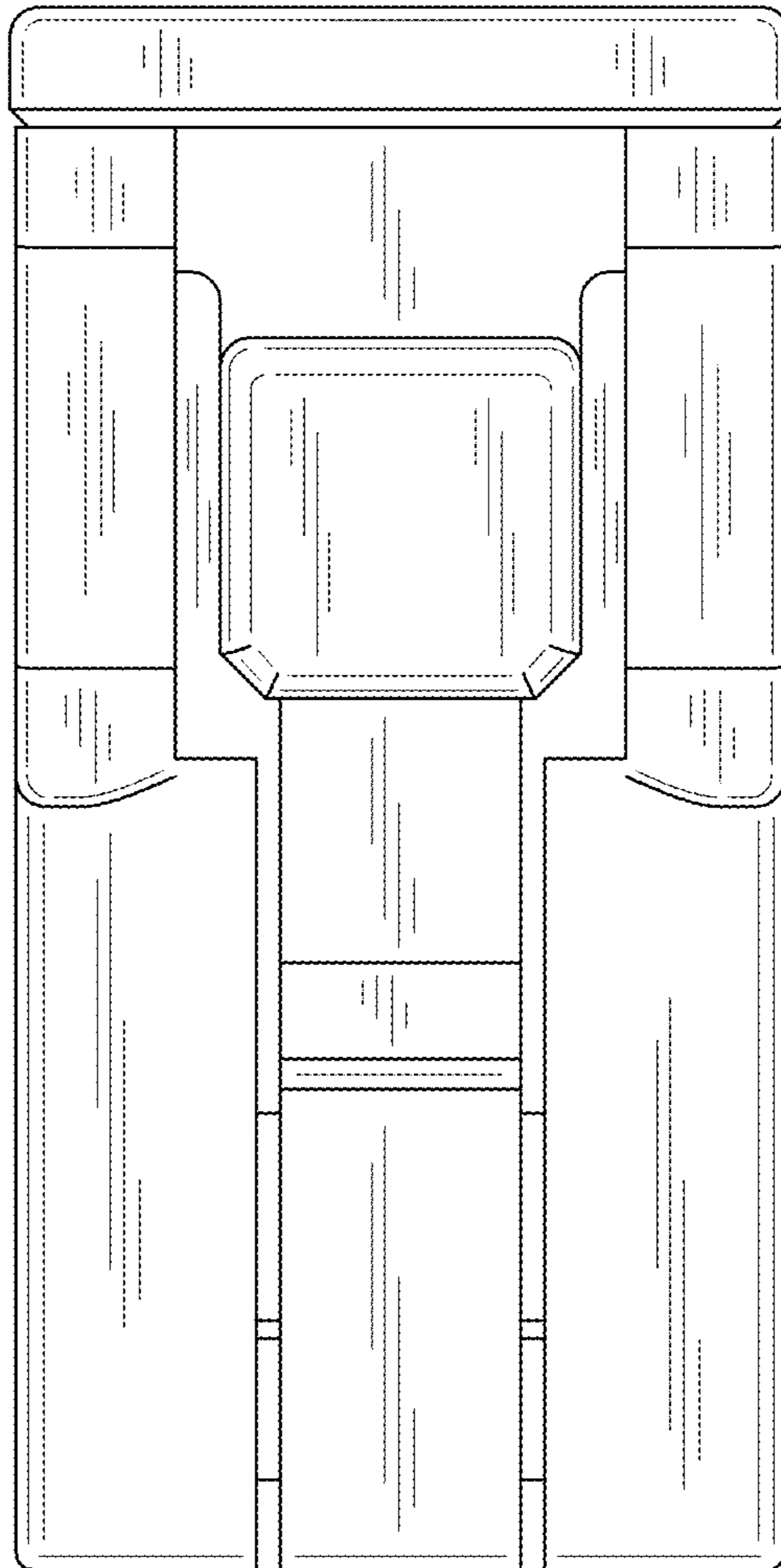


FIG. 5

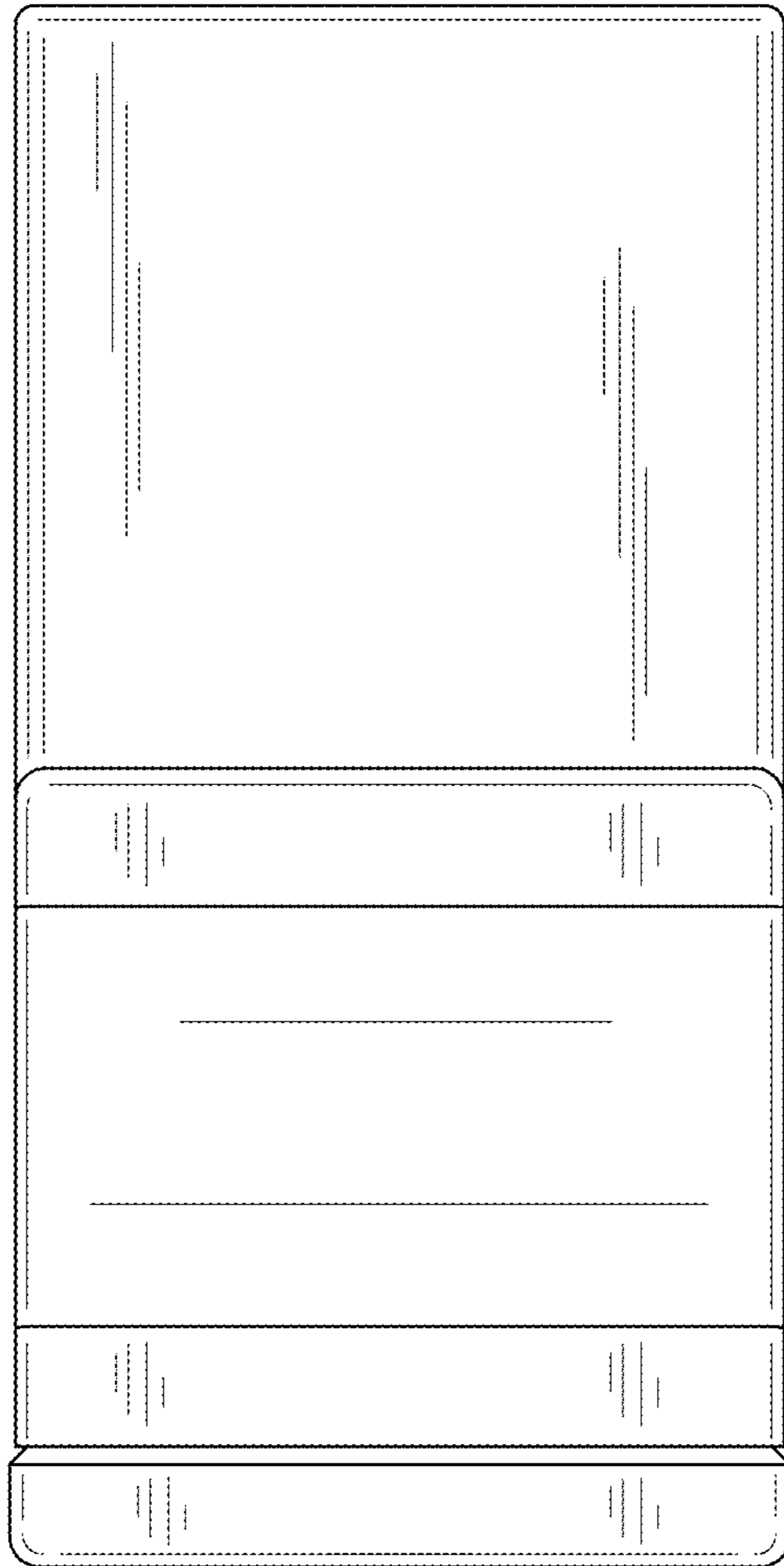


FIG. 6

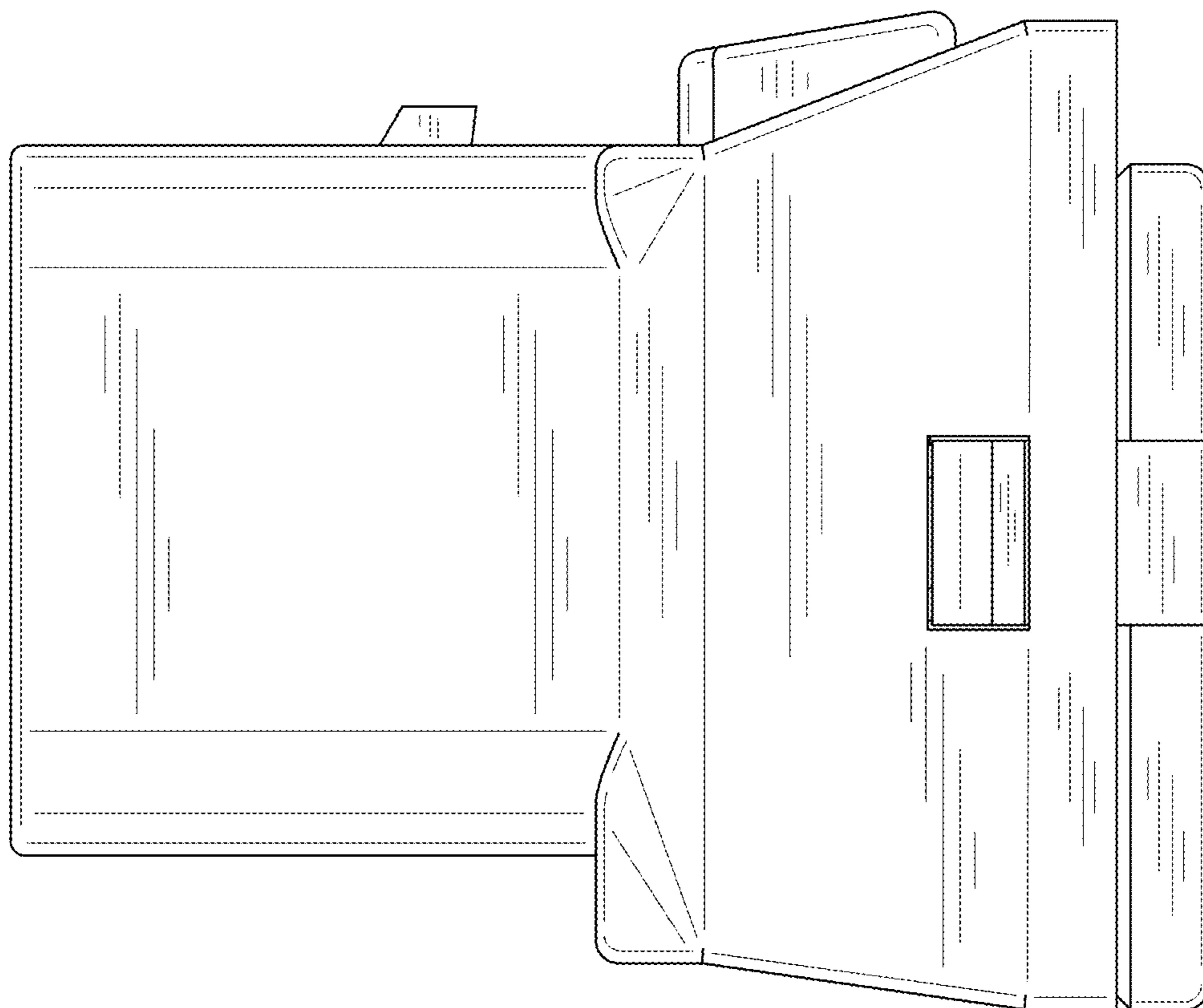


FIG. 7