



US00D810687S

(12) **United States Design Patent**  
**Gubbins**

(10) **Patent No.:** **US D810,687 S**

(45) **Date of Patent:** **\*\* Feb. 20, 2018**

(54) **SOCKET PLATE FOR CABLE DRUM**

(71) Applicant: **Nexus Industries Limited**, Shropshire (GB)

(72) Inventor: **Stephen Gubbins**, Shropshire (GB)

(73) Assignee: **NEXUS INDUSTRIES LIMITED**, Shropshire (GB)

(\*\*) Term: **15 Years**

(21) Appl. No.: **29/587,057**

(22) Filed: **Dec. 9, 2016**

(30) **Foreign Application Priority Data**

Jun. 15, 2016 (EM) ..... 003224047-0004

(51) **LOC (11) Cl.** ..... **13-03**

(52) **U.S. Cl.**  
USPC ..... **D13/139.6**

(58) **Field of Classification Search**  
USPC ..... D13/137.1, 137.3, 137.4, 139.1, 139.3,  
D13/139.6, 139.7, 139.8, 156, 158, 169,  
D13/177; D8/352, 353, 359  
CPC ..... H01R 13/052; H01R 13/73; H01R 13/74;  
H01R 13/743; H01R 24/20; H01R 33/76;  
H01R 33/7671; H02G 3/08; H02G 3/081;  
H02G 3/10; H02G 3/14; H02G 3/18;  
H02G 11/02

See application file for complete search history.

(56) **References Cited**

**U.S. PATENT DOCUMENTS**

- D260,985 S \* 9/1981 Moylan ..... D13/137.4
- 4,485,282 A \* 11/1984 Lee ..... H02G 3/18  
174/53
- 4,520,239 A \* 5/1985 Schwartz ..... H02G 11/02  
191/12.4
- D286,134 S \* 10/1986 Schwartz ..... D13/137.4
- D359,725 S \* 6/1995 King, Sr. .... D13/156

- 5,657,841 A \* 8/1997 Morvan ..... H02G 11/02  
191/12.4
- 5,700,150 A \* 12/1997 Morin ..... H01R 13/72  
191/12.4
- 6,077,109 A \* 6/2000 Prazoff ..... H01R 13/72  
191/12.4
- D428,327 S \* 7/2000 Stekelenburg ..... D13/139.7
- D432,499 S \* 10/2000 Stekelenburg ..... D13/139.6
- D464,624 S \* 10/2002 Shim ..... D13/137.4
- D481,357 S \* 10/2003 Stekelenburg ..... D13/139.8
- D496,255 S \* 9/2004 Kovacic ..... D13/139.7
- D572,662 S \* 7/2008 Haber ..... D13/139.8

(Continued)

*Primary Examiner* — Selina Sikder

(74) *Attorney, Agent, or Firm* — Levenfeld Pearlstein, LLC

(57) **CLAIM**

The ornamental design for a socket plate for cable drum, as shown and described.

**DESCRIPTION**

FIG. 1 is a front, right hand side perspective view of a socket plate for cable drum embodying the principles of my new design;

FIG. 2 is a front view thereof;

FIG. 3 is a top view thereof;

FIG. 4 is a bottom view thereof;

FIG. 5 is a rear view thereof, the rear view being unadorned and forming no part of the claimed design;

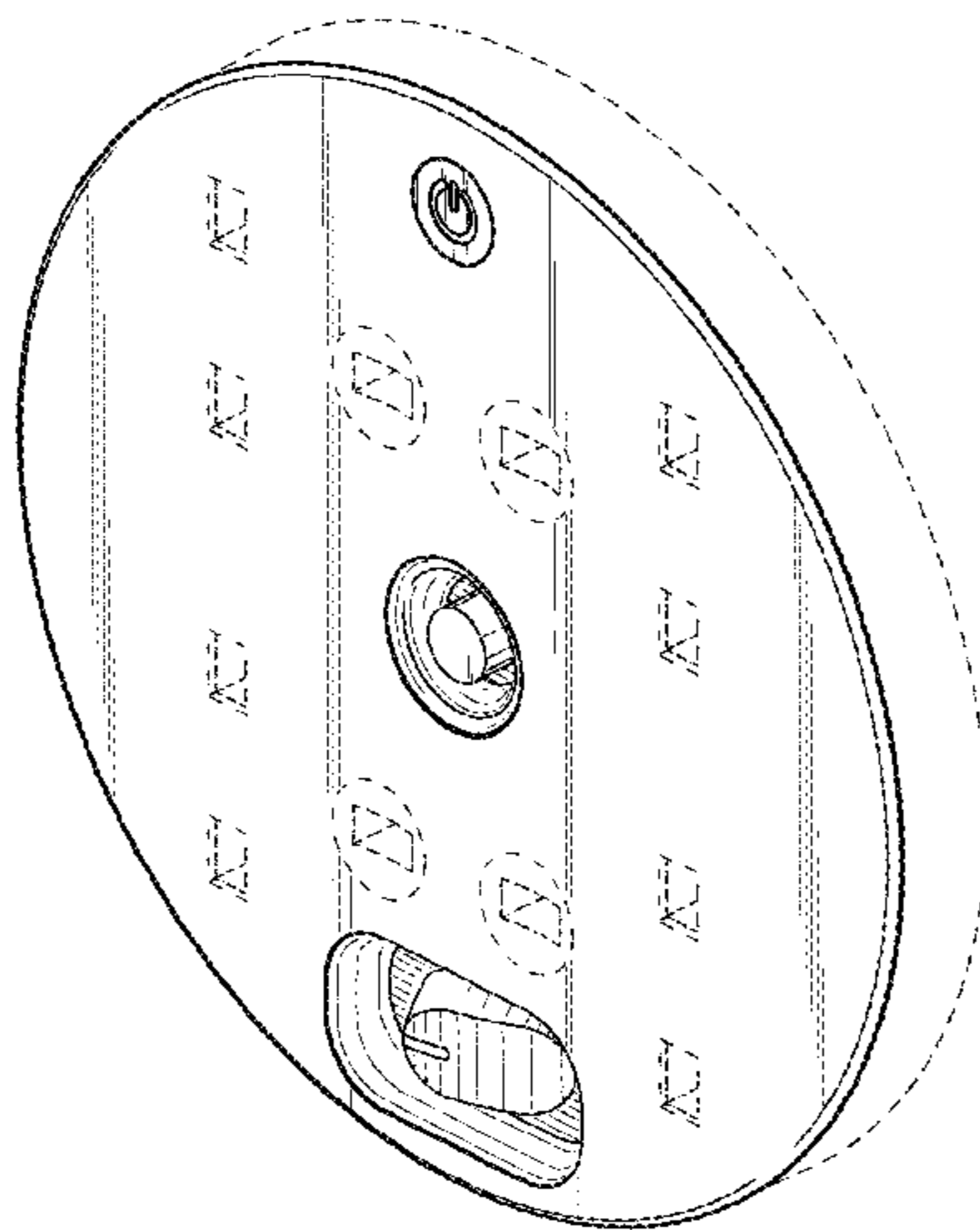
FIG. 6 is a side view thereof as seen from the left hand side of FIG. 2;

FIG. 7 is a side view thereof as seen from the right hand side of FIG. 2; and,

FIG. 8 is a perspective view similar to FIG. 1 with the socket plate shown in a cable drum.

The socket plate for cable drum being shown with the sides and rear in FIGS. 1 and 3-7 in phantom lines and with a cable drum in phantom lines in FIG. 8, the objects in phantom lines forming no part of the claimed design.

**1 Claim, 4 Drawing Sheets**



(56)

**References Cited**

U.S. PATENT DOCUMENTS

D604,244 S \* 11/2009 Kovacik ..... D13/137.4  
D609,643 S \* 2/2010 Oddsen ..... D13/139.1  
D658,131 S \* 4/2012 Chen ..... D13/156  
8,896,150 B1 \* 11/2014 Shammoh ..... H01R 13/70  
307/31  
D746,238 S \* 12/2015 Sumwalt ..... D13/156  
D793,339 S \* 8/2017 Dicks ..... D13/139.1  
D796,442 S \* 9/2017 Xu ..... D13/139.6  
2005/0072645 A1 \* 4/2005 Kovacik ..... H02G 11/02  
191/12.2 R  
2006/0186255 A1 \* 8/2006 Rooker ..... B65H 75/40  
242/395  
2010/0029109 A1 \* 2/2010 Lam ..... H01R 13/665  
439/136  
2011/0151712 A1 \* 6/2011 Liao ..... H01R 13/60  
439/571  
2012/0052716 A1 \* 3/2012 Wang ..... H01R 4/2433  
439/389  
2013/0109219 A1 \* 5/2013 Liao ..... H01R 13/743  
439/345  
2014/0247577 A1 \* 9/2014 Moule ..... H02G 3/123  
361/837  
2015/0214708 A1 \* 7/2015 Segnit ..... H02G 3/16  
361/42

\* cited by examiner

Fig. 1

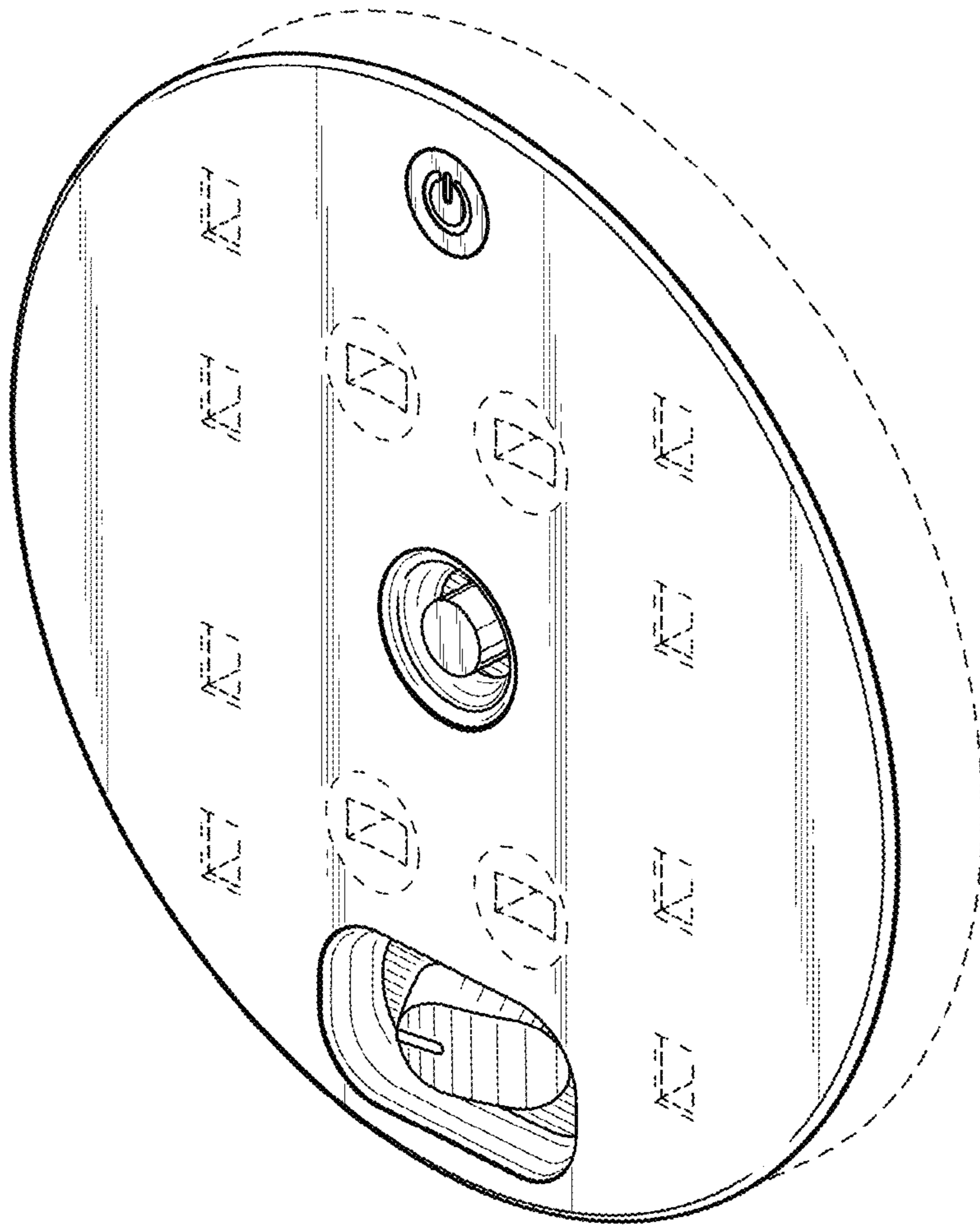


Fig. 3

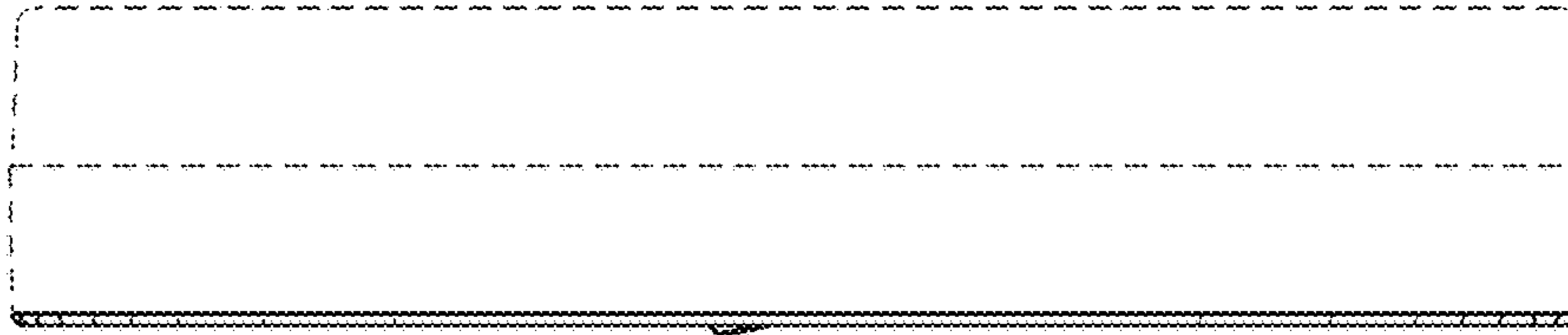


Fig. 2

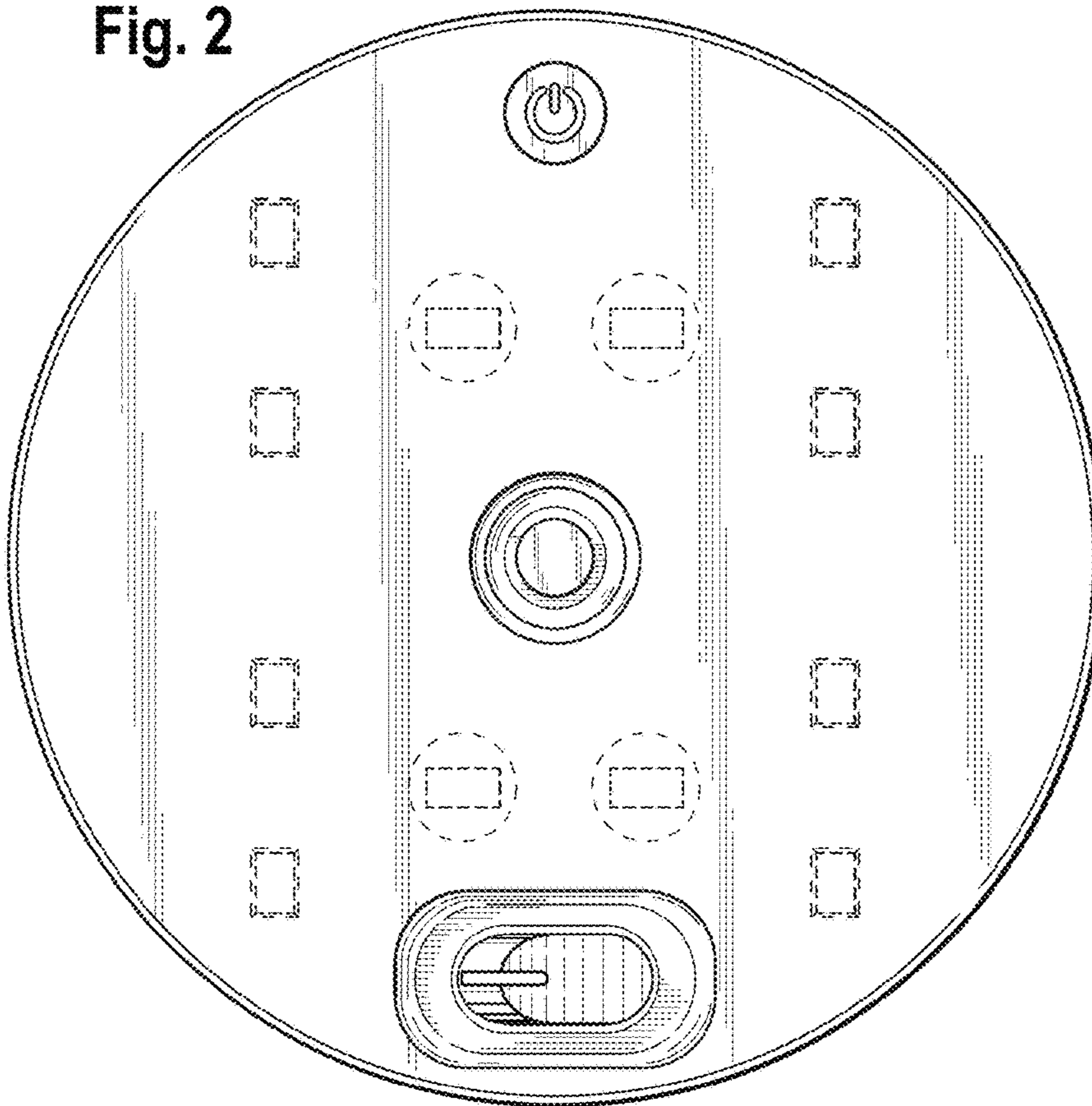


Fig. 4

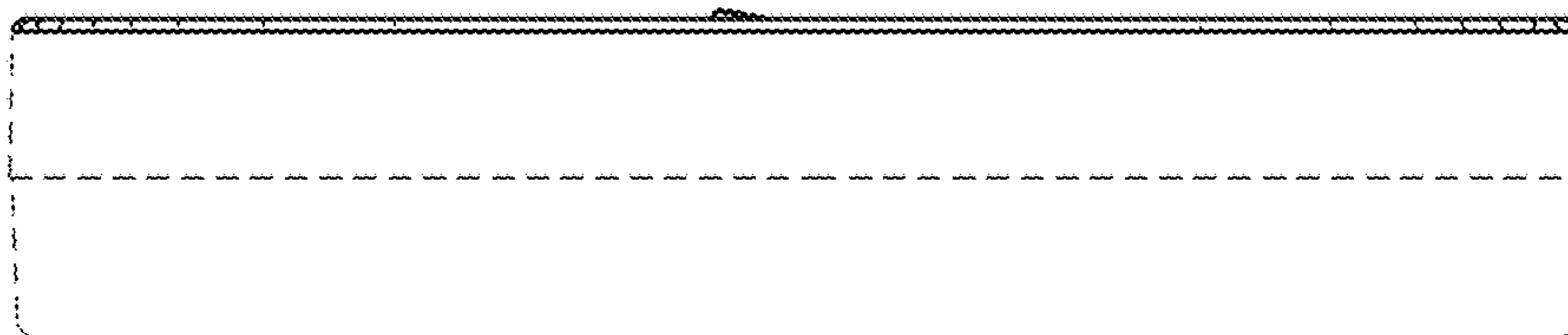


Fig. 5

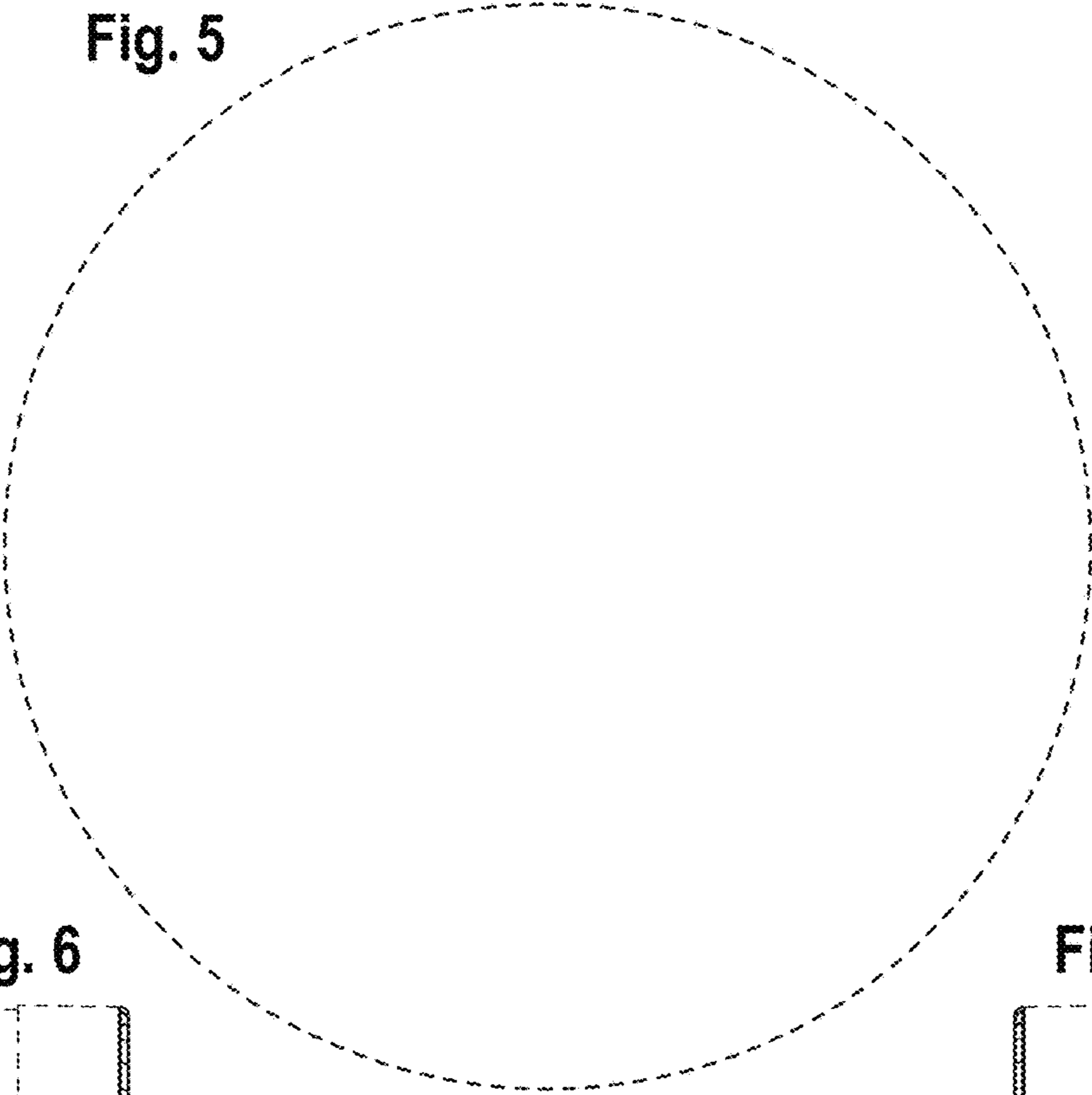


Fig. 6

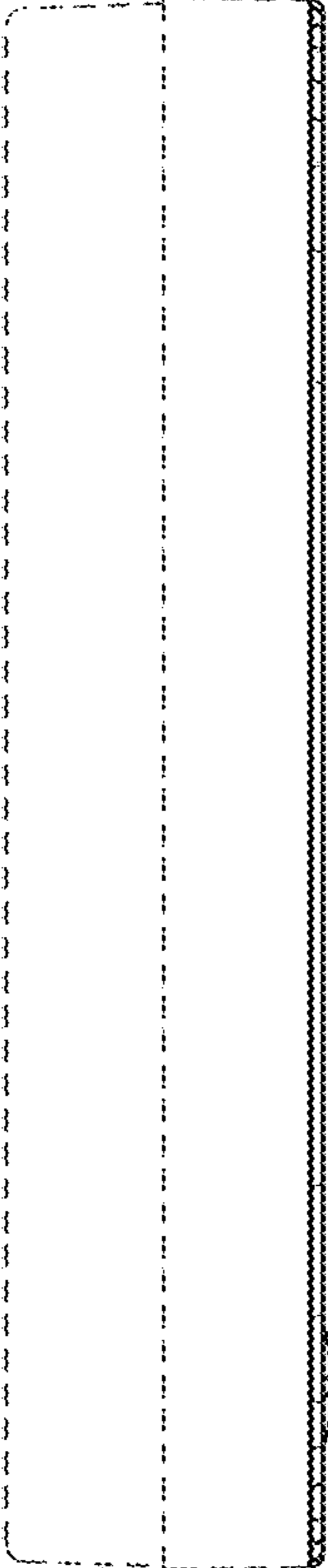


Fig. 7

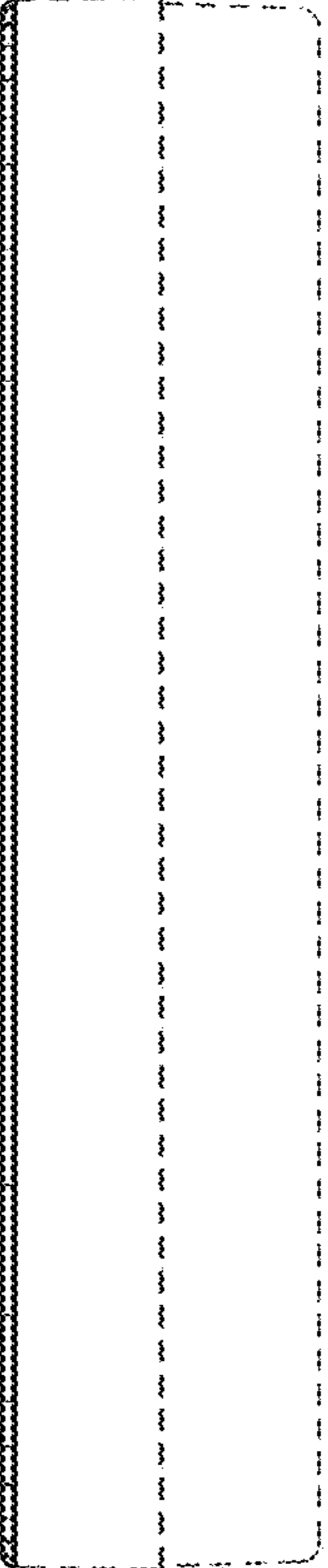


Fig. 8

