



US00D810685S

(12) **United States Design Patent**
Watkins et al.

(10) **Patent No.:** **US D810,685 S**

(45) **Date of Patent:** **** Feb. 20, 2018**

- (54) **COAXIAL CABLE CONNECTOR**
- (71) Applicant: **PPC BROADBAND, INC.**, East Syracuse, NY (US)
- (72) Inventors: **Harold John Watkins**, Chittenango, NY (US); **Steve Stankovski**, Clay, NY (US)
- (73) Assignee: **PPC BROADBAND, INC.**, East Syracuse, NY (US)
- (**) Term: **15 Years**
- (21) Appl. No.: **29/587,518**
- (22) Filed: **Dec. 13, 2016**
- (51) **LOC (11) Cl.** **13-03**
- (52) **U.S. Cl.**
USPC **D13/133**
- (58) **Field of Classification Search**
USPC D8/356; D13/102, 133, 137.1, 139.1, D13/146, 147, 148, 149, 150, 151, 153, D13/154, 156, 160, 164, 184, 187, 199
CPC H01R 2103/00; H01R 9/053; H01R 13/00; H01R 13/627; H01R 13/6277; H01R 13/646; H01R 23/26; H01R 24/40; H01R 24/52; H01R 43/26
See application file for complete search history.

D548,186 S *	8/2007	Holliday	D13/133
D553,081 S *	10/2007	Victor	D13/133
D556,146 S *	11/2007	Victor	D13/133
D573,103 S *	7/2008	Lee	D13/133
D623,603 S *	9/2010	Amidon	D13/133
D623,604 S *	9/2010	Amidon	D13/133
8,167,647 B1 *	5/2012	Lee	H01R 13/6277 439/352

OTHER PUBLICATIONS

Belkin 6 feet PureAV Digital Coaxial, posted at Amazon.com, posted on Apr. 12, 2007, [online], [site visited Sep. 13, 2017]. Available from Internet, <<https://www.amazon.com/Belkin-PureAV-Digital-Coaxial-Audio/dp/B0001XGQV8>>.*

(Continued)

Primary Examiner — Mary Ann Calabrese

Assistant Examiner — Catherine Ho

(74) *Attorney, Agent, or Firm* — Oliff PLC

(57) **CLAIM**

The ornamental design for a coaxial cable connector, as shown and described.

DESCRIPTION

FIG. 1 is a front, top, left-side view of the coaxial cable connector;
FIG. 2 is a left-side elevational view thereof;
FIG. 3 is a right-side elevational view thereof;
FIG. 4 is a bottom plan view thereof;
FIG. 5 is a top plan view thereof;
FIG. 6 is a front elevational view thereof;
FIG. 7 is a rear elevational view thereof; and,
FIG. 8 is a reference view showing the coaxial cable connector in use.

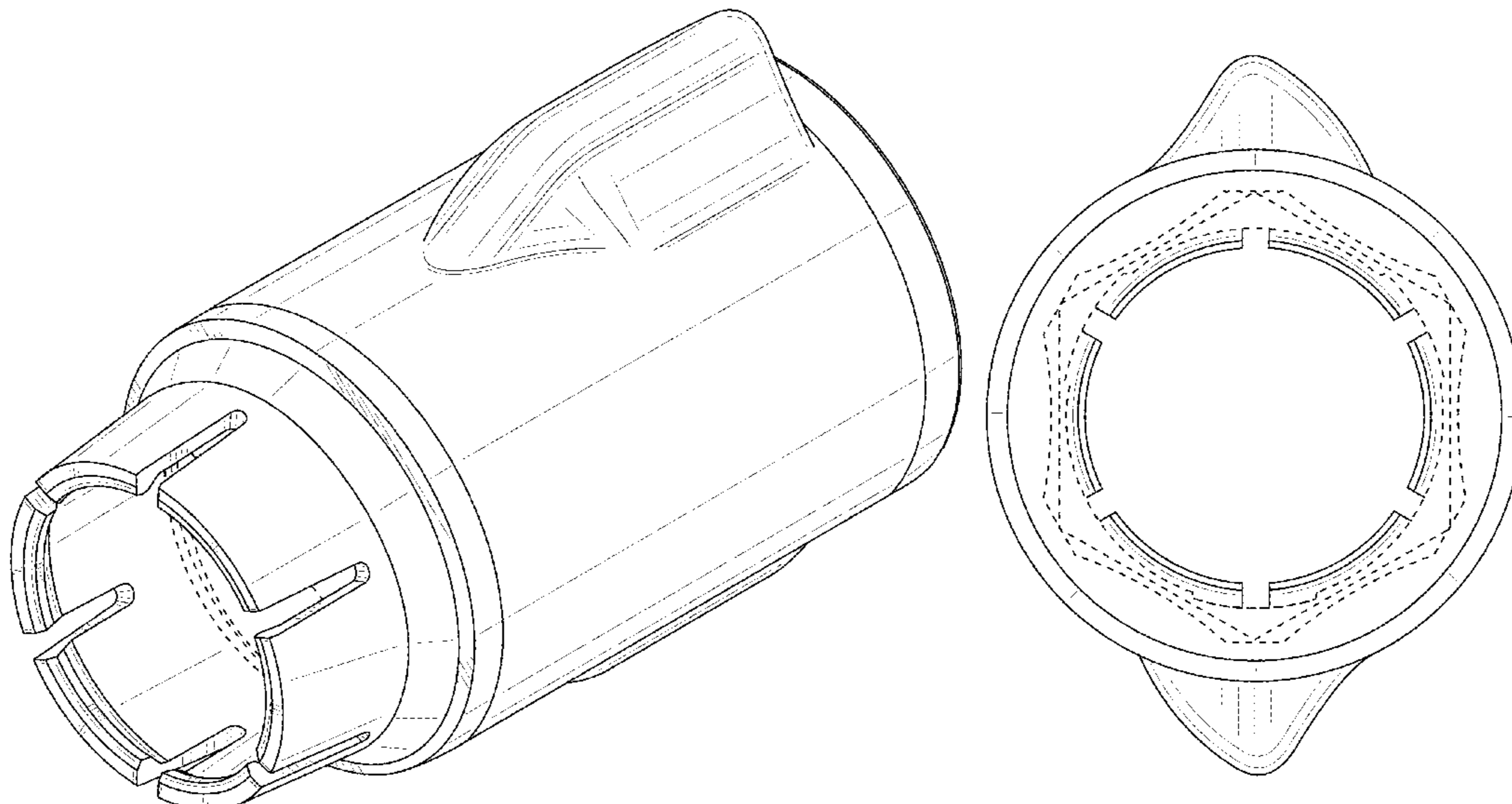
The broken lines depict unclaimed portions of the connector, and thus form no part of the claimed design.

1 Claim, 8 Drawing Sheets

(56) **References Cited**

U.S. PATENT DOCUMENTS

D367,036 S *	2/1996	Lee	D13/133
D403,302 S *	12/1998	Awbrey	D13/133
6,380,826 B1 *	4/2002	Palinkas	H01R 24/42 333/175
D506,184 S *	6/2005	Sirichai	D13/154
7,189,091 B1 *	3/2007	Montena	H01R 9/0521 439/322
D543,154 S *	5/2007	Suckle	D13/154



(56)

References Cited

OTHER PUBLICATIONS

Mediabridge Ultra Series RCA, posted at Amazon.com, posted on Jul. 10, 2014, [online], [site visited Sep. 13, 2017]. Available from Internet, <<https://www.amazon.com/Mediabridge-ULTRA-RCA-Y-Adapter-Feet/dp/B00KCQSW3E>>.*

A visual collection of standard and right angle F Type Coax connectors, posted at En.Wikipedia.org, posted on Oct. 14, 2015, [online], [site visited Sep. 13, 2017]. Available from Internet, <https://en.wikipedia.org/wiki/F_connector#/media/File:Flex_Coax_Connector_F_Type.jpg>.*

PPC EX6XLWS, posted at Amazon.com, posted on Oct. 31, 2015, [online], [site visited Sep. 13, 2017]. Available from Internet, <<https://www.amazon.ca/PPC-EX6XLWS-AquaTight-Outdoor-Connectors/product-reviews/B0161KUVK6>>.*

* cited by examiner

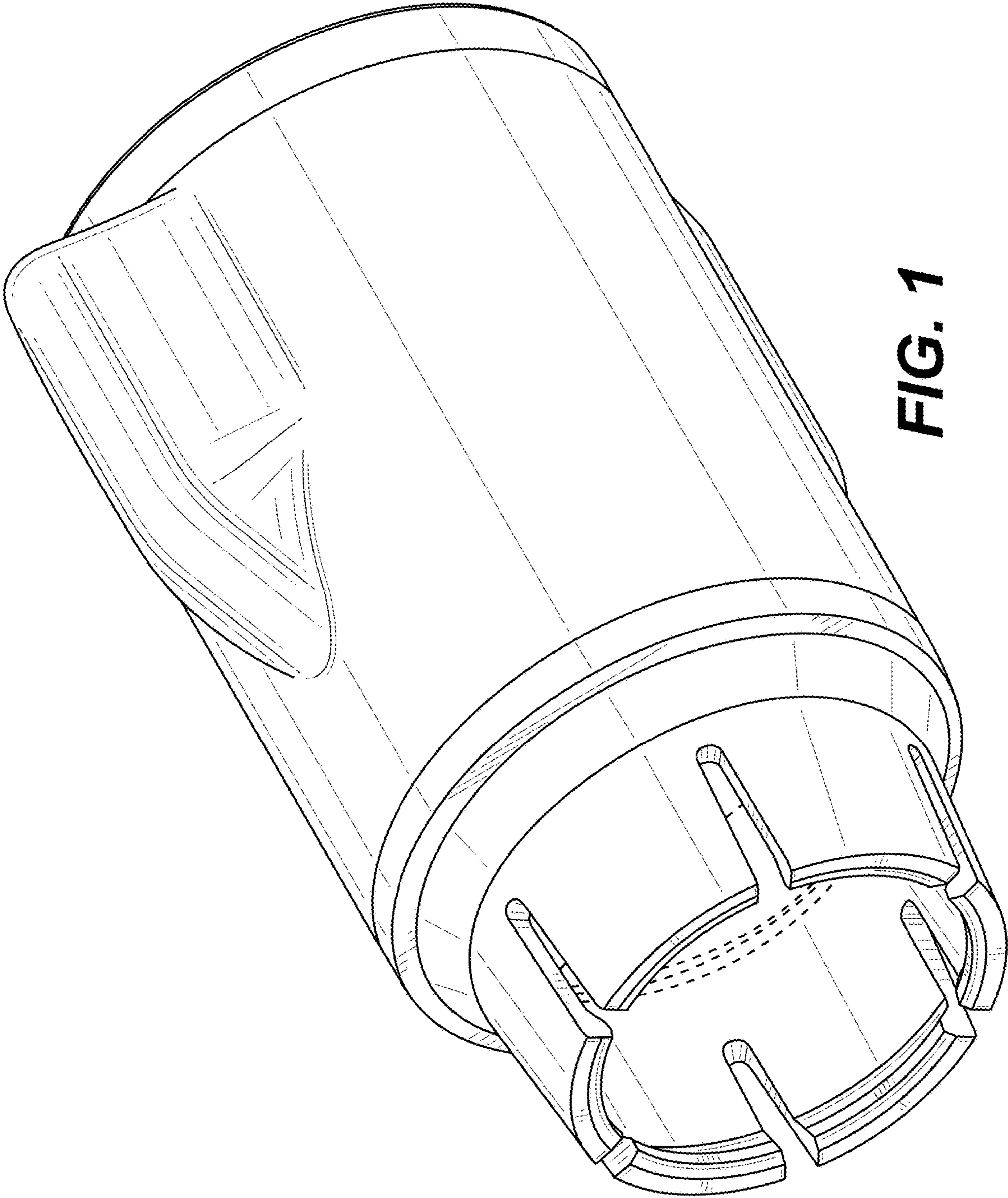


FIG. 1

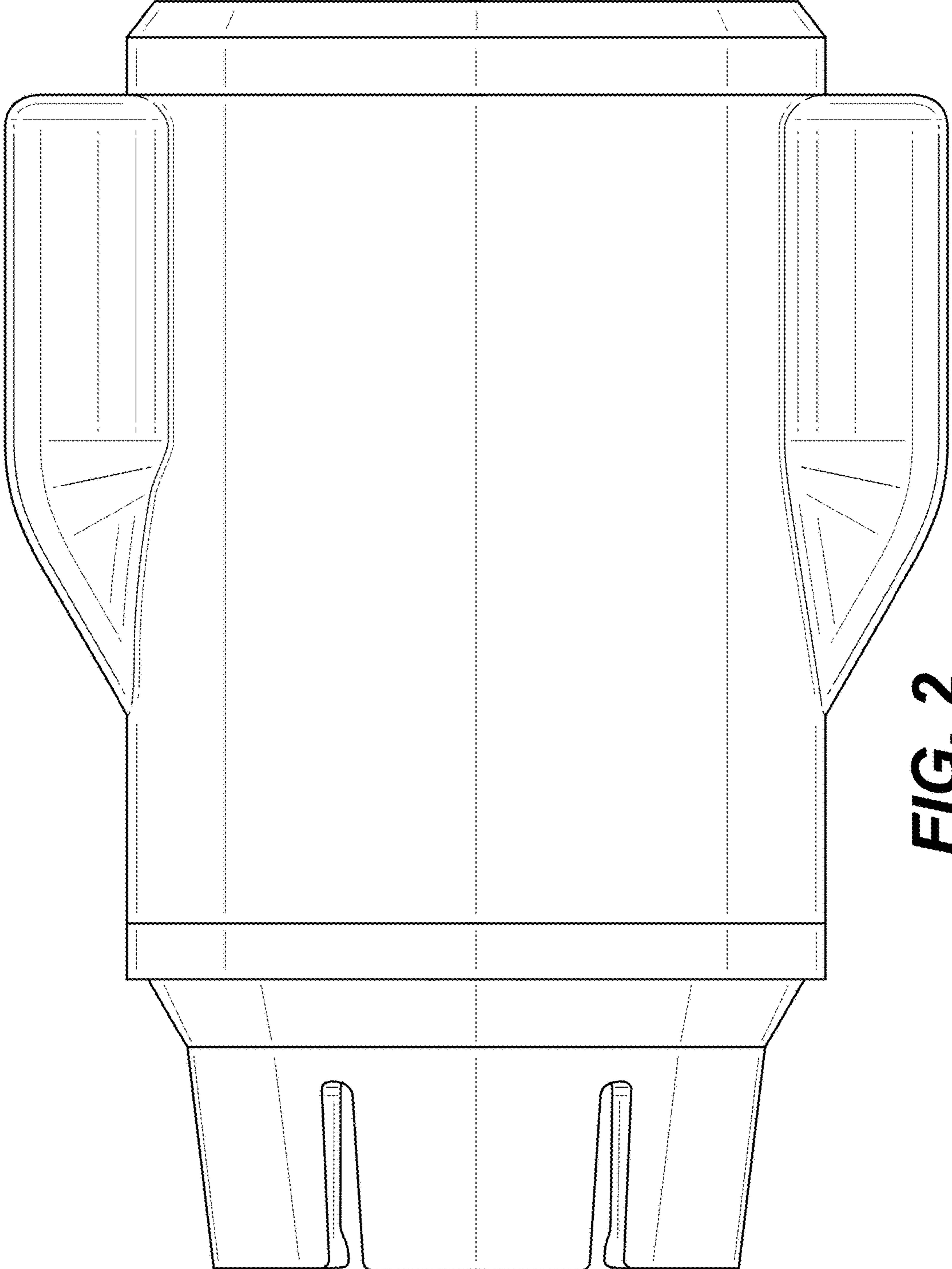


FIG. 2

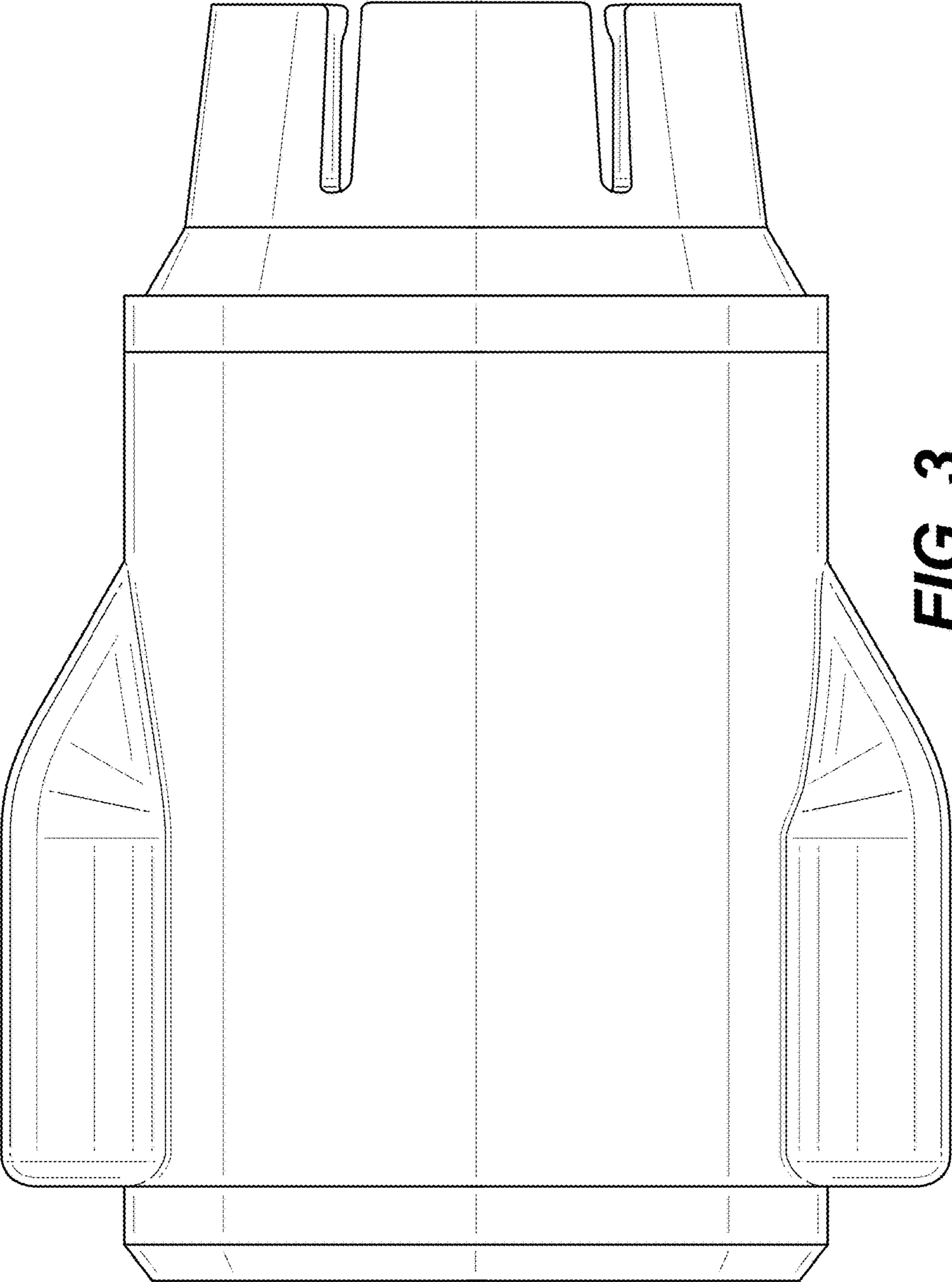


FIG. 3

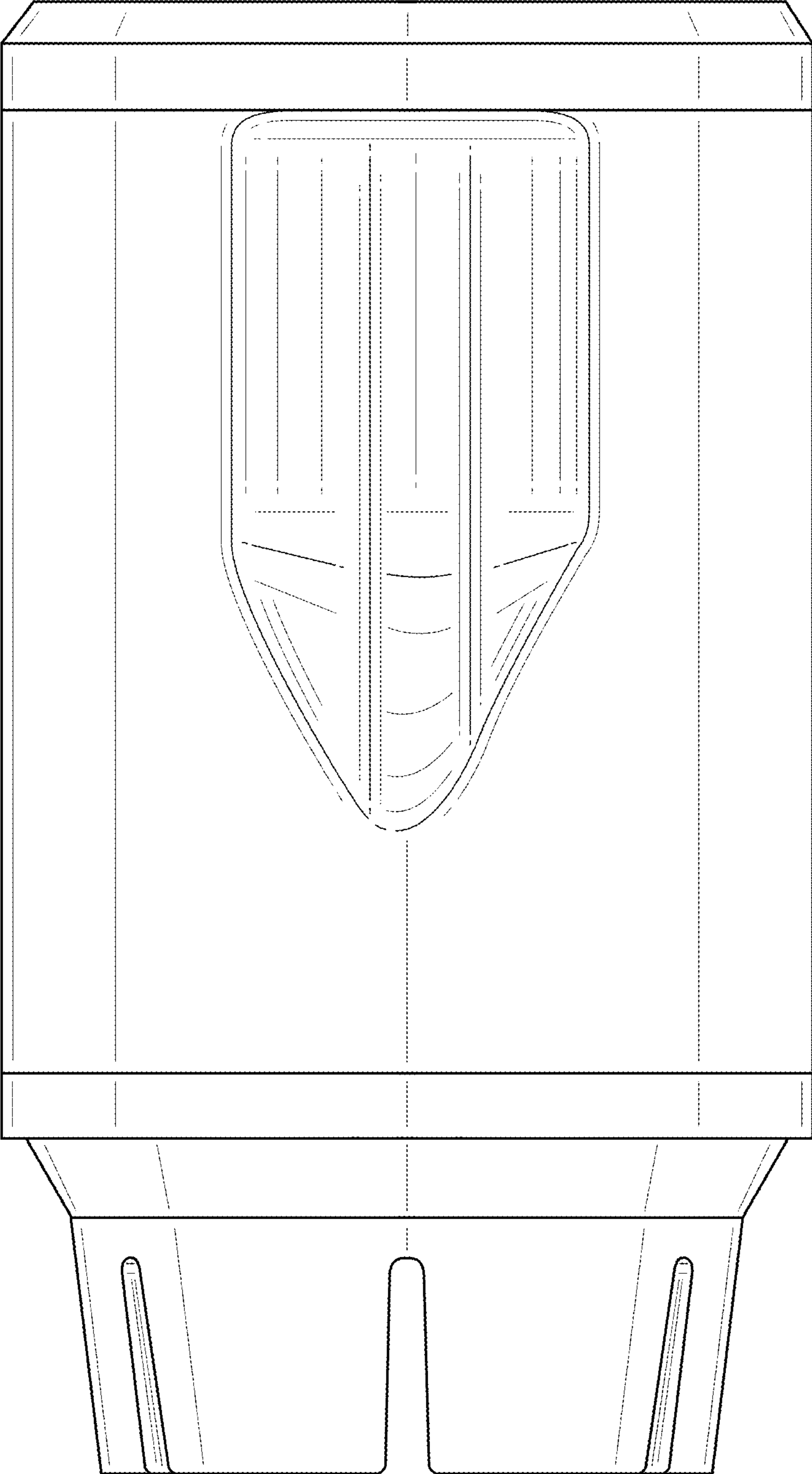


FIG. 4

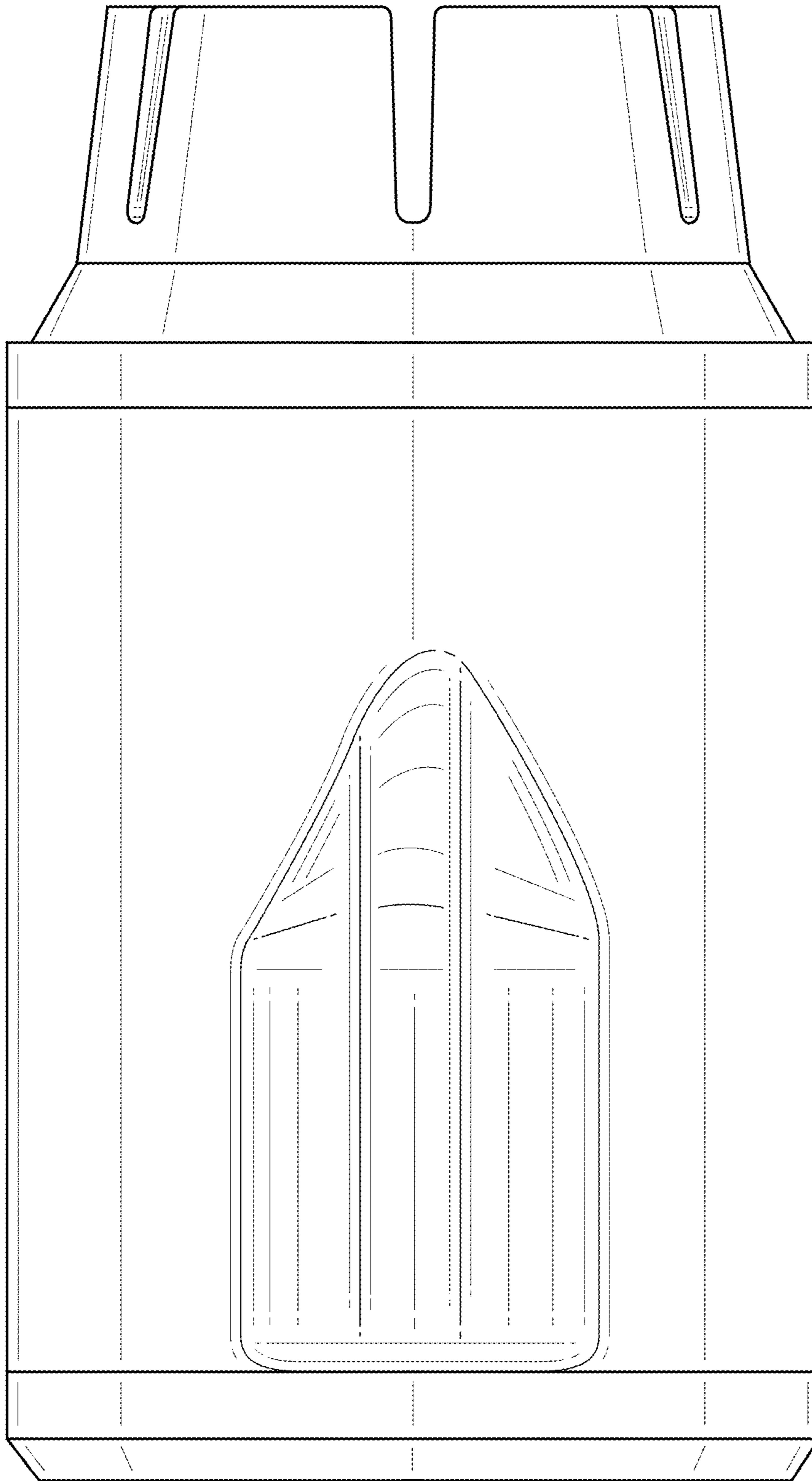


FIG. 5

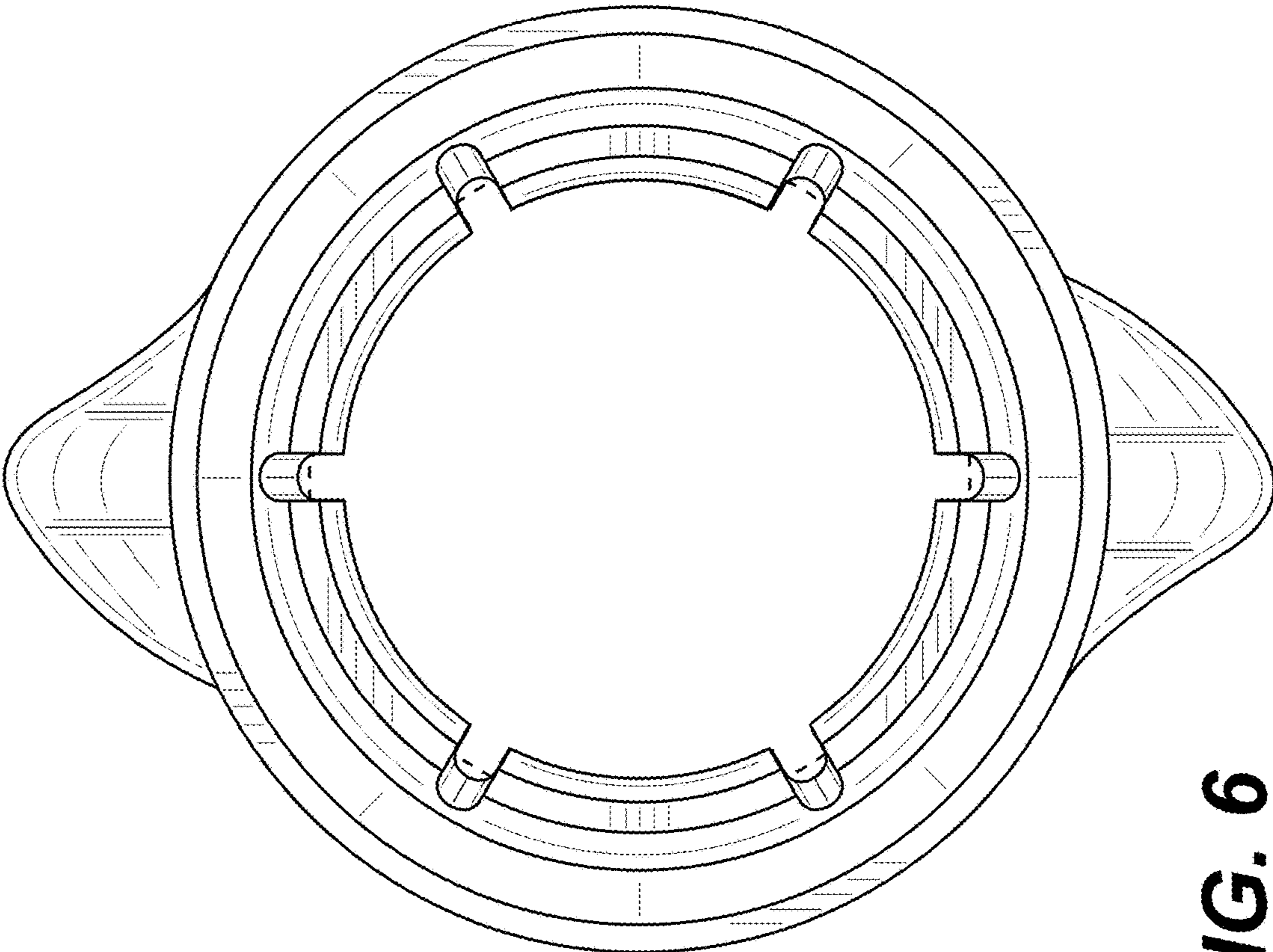


FIG. 6

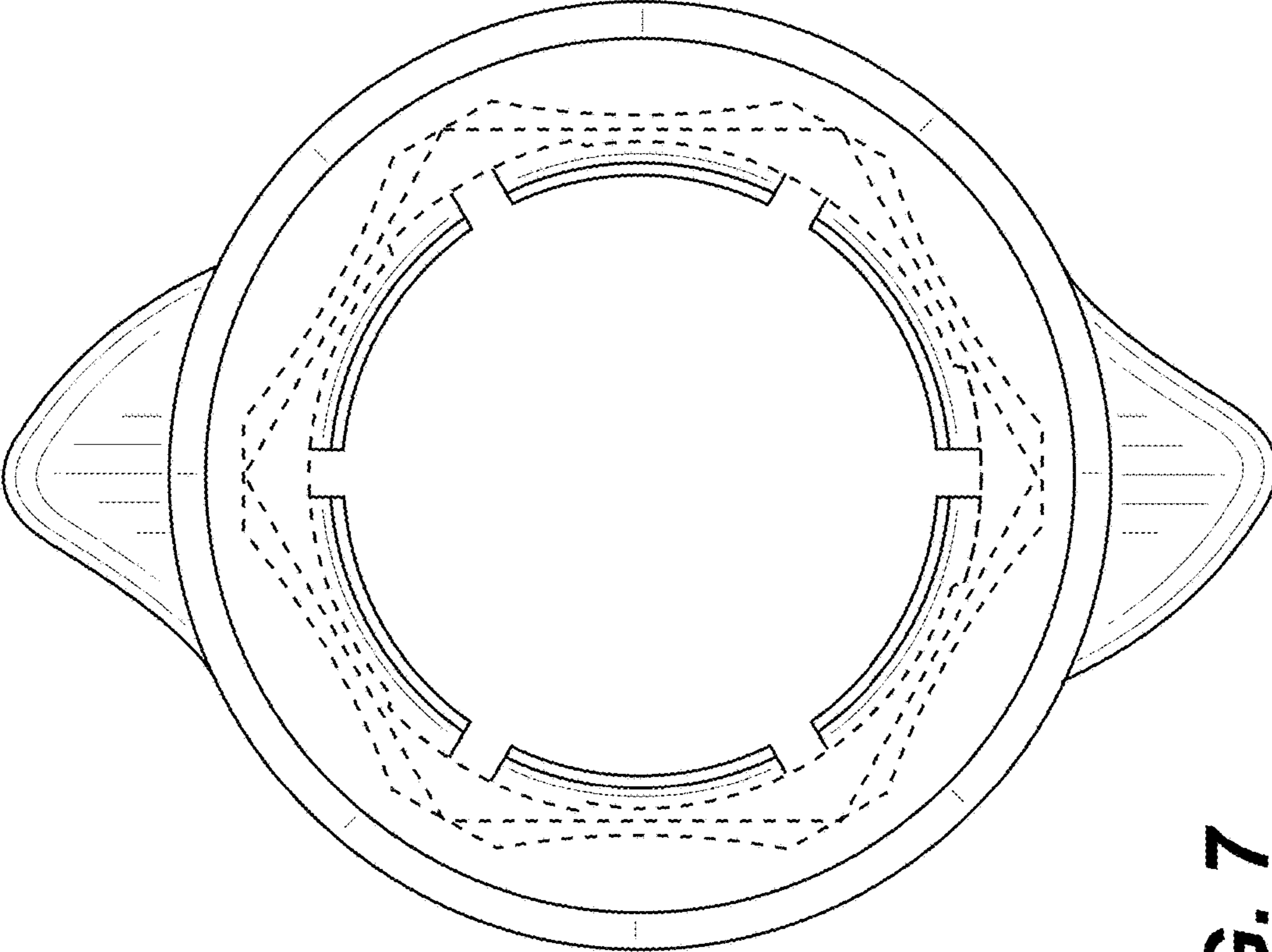


FIG. 7

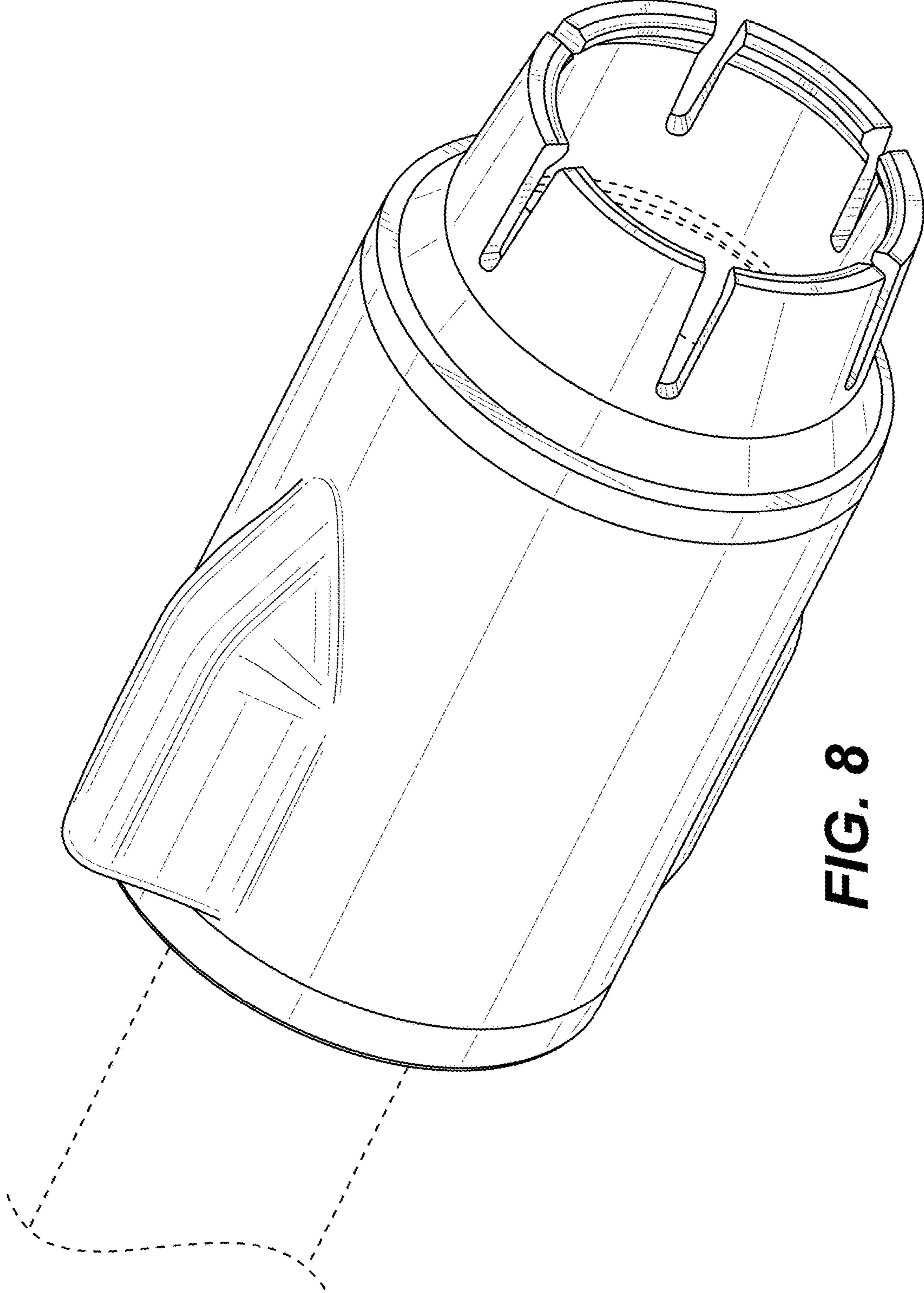


FIG. 8