



US00D810684S

(12) **United States Design Patent** (10) **Patent No.:** **US D810,684 S**
Watkins (45) **Date of Patent:** **** Feb. 20, 2018**

- (54) **COAXIAL CABLE CONNECTOR**
- (71) Applicant: **PPC BROADBAND, INC.**, East
Syracuse, NY (US)
- (72) Inventor: **Harold John Watkins**, Chittenango,
NY (US)
- (73) Assignee: **PPC BROADBAND, INC.**, East
Syracuse, NY (US)
- (**) Term: **15 Years**
- (21) Appl. No.: **29/580,628**
- (22) Filed: **Oct. 11, 2016**
- (51) **LOC (11) Cl.** **13-03**
- (52) **U.S. Cl.**
USPC **D13/133**
- (58) **Field of Classification Search**
USPC D8/356; D13/102, 133, 137.1, 139.1,
D13/146, 147, 148, 149, 150, 151, 153,
D13/154, 156, 160, 164, 184, 187, 199
CPC H01R 2103/00; H01R 9/053; H01R 13/00;
H01R 13/627; H01R 13/6277; H01R
13/646; H01R 23/26; H01R 24/40; H01R
24/52; H01R 43/26
See application file for complete search history.

- D548,186 S * 8/2007 Holliday D13/133
- D553,081 S * 10/2007 Victor D13/133
- D556,146 S * 11/2007 Victor D13/133
- D573,103 S * 7/2008 Lee D13/133
- D623,603 S * 9/2010 Amidon D13/133
- D623,604 S * 9/2010 Amidon D13/133
- 8,167,647 B1 * 5/2012 Lee H01R 13/6277
439/352

- (56) **References Cited**
U.S. PATENT DOCUMENTS
D367,036 S * 2/1996 Lee D13/133
D403,302 S * 12/1998 Awbrey D13/133
6,380,826 B1 * 4/2002 Palinkas H01R 24/42
333/175
D506,184 S * 6/2005 Sirichai D13/154
7,189,091 B1 * 3/2007 Montena H01R 9/0521
439/322
D543,154 S * 5/2007 Suckle D13/154

OTHER PUBLICATIONS

Belkin 6 feet PureAV Digital Coaxial, posted at Amazon.com, posted on Apr. 12, 2007, [online], [site visited Sep. 13, 2017]. Available from Internet, <<https://www.amazon.com/Belkin-PureAV-Digital-Coaxial-Audio/dp/B0001XGQV8>>.*

(Continued)

Primary Examiner — Mary Ann Calabrese
Assistant Examiner — Catherine Ho
(74) *Attorney, Agent, or Firm* — Oliff PLC

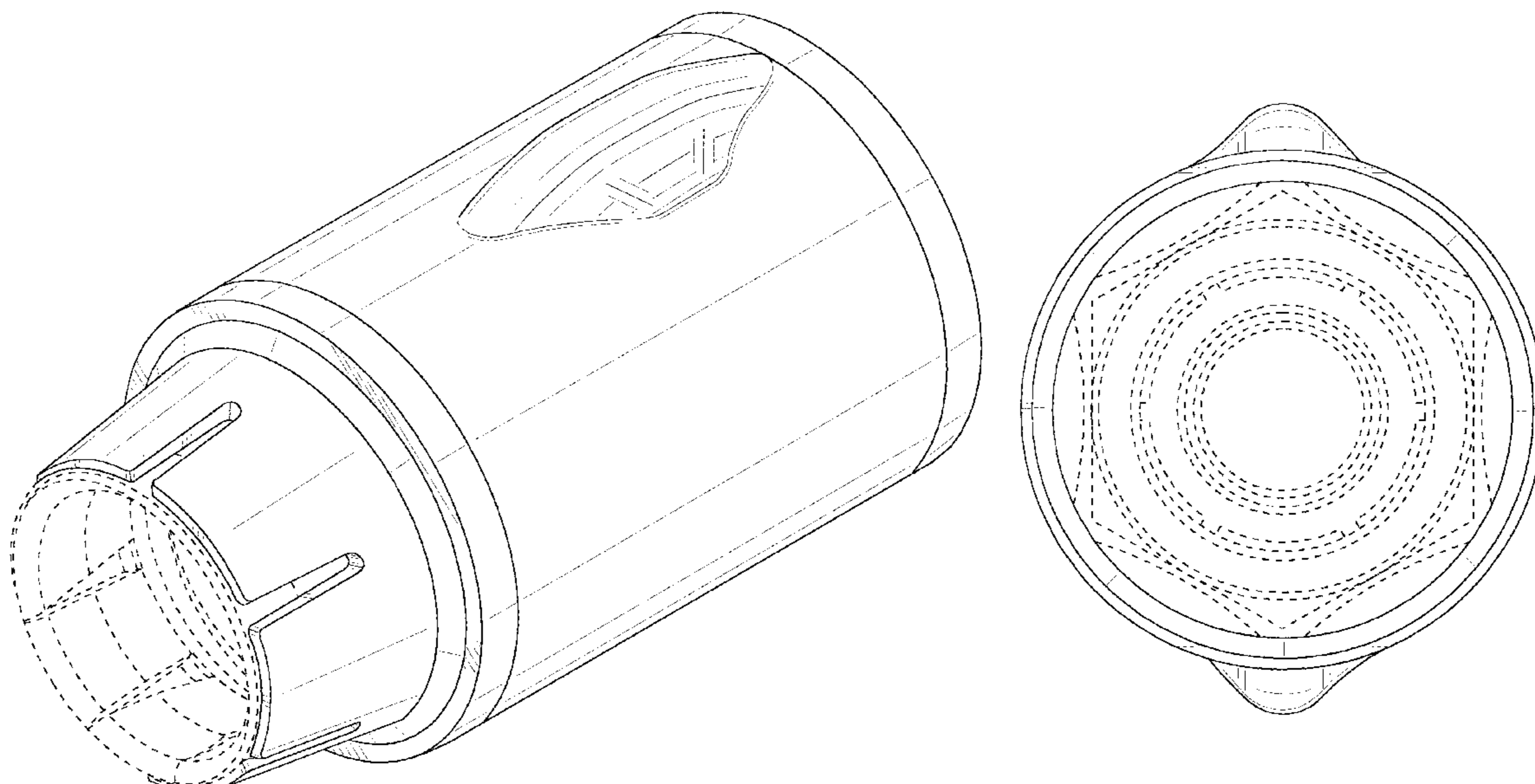
(57) **CLAIM**

The ornamental design for a coaxial cable connector, as shown and described.

DESCRIPTION

FIG. 1 is a front, top, left-side view of the coaxial cable connector;
FIG. 2 is a left-side elevational view thereof;
FIG. 3 is a right-side elevational view thereof;
FIG. 4 is a bottom plan view thereof;
FIG. 5 is a top plan view thereof;
FIG. 6 is a front elevational view thereof;
FIG. 7 is a rear elevational view thereof; and,
FIG. 8 is a reference view showing the coaxial cable connector in use.
The broken lines depict unclaimed portions of the connector, and thus form no part of the claimed design.

1 Claim, 8 Drawing Sheets



(56)

References Cited

OTHER PUBLICATIONS

Mediabridge Ultra Series RCA, posted at Amazon.com, posted on Jul. 10, 2014, [online], [site visited Sep. 13, 2017]. Available from Internet, <<https://www.amazon.com/Mediabridge-ULTRA-RCA-Y-Adapter-Feet/dp/B00KCQSW3E>>.*

A visual collection of standard and right angle F Type Coax connectors, posted at En.Wikipedia.org, posted on Oct. 14, 2015, [online], [site visited Sep. 13, 2017]. Available from Internet, <https://en.wikipedia.org/wiki/F_connector#/media/File:Flex_Coax_Connector_F_Type.jpg>.*

PPC EX6XLWS, posted at Amazon.com, posted on Oct. 31, 2015, [online], [site visited Sep. 13, 2017]. Available from Internet, <<https://www.amazon.ca/PPC-EX6XLWS-AquaTight-Outdoor-Connectors/product-reviews/B0161KUVK6>>.*

* cited by examiner

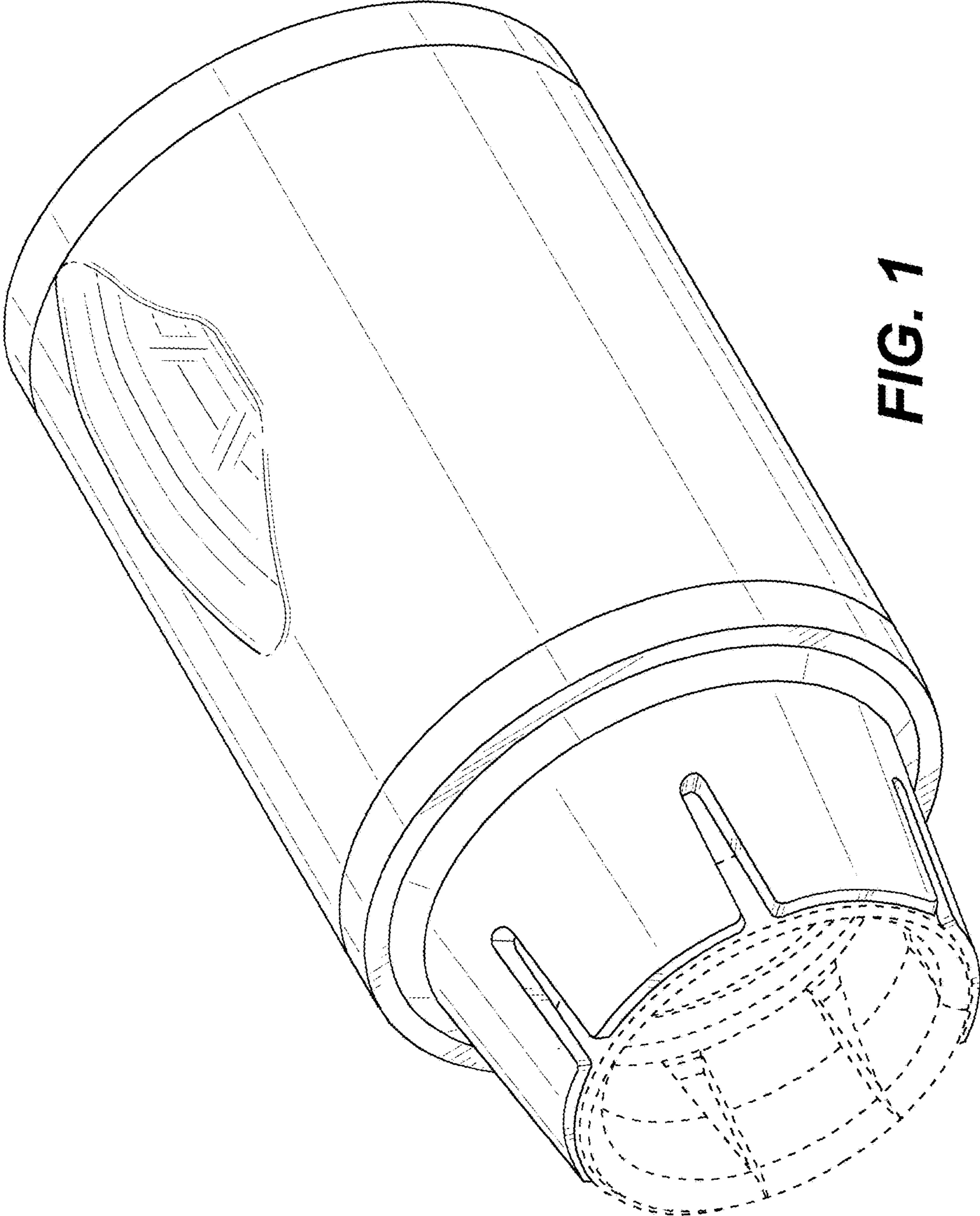


FIG. 1

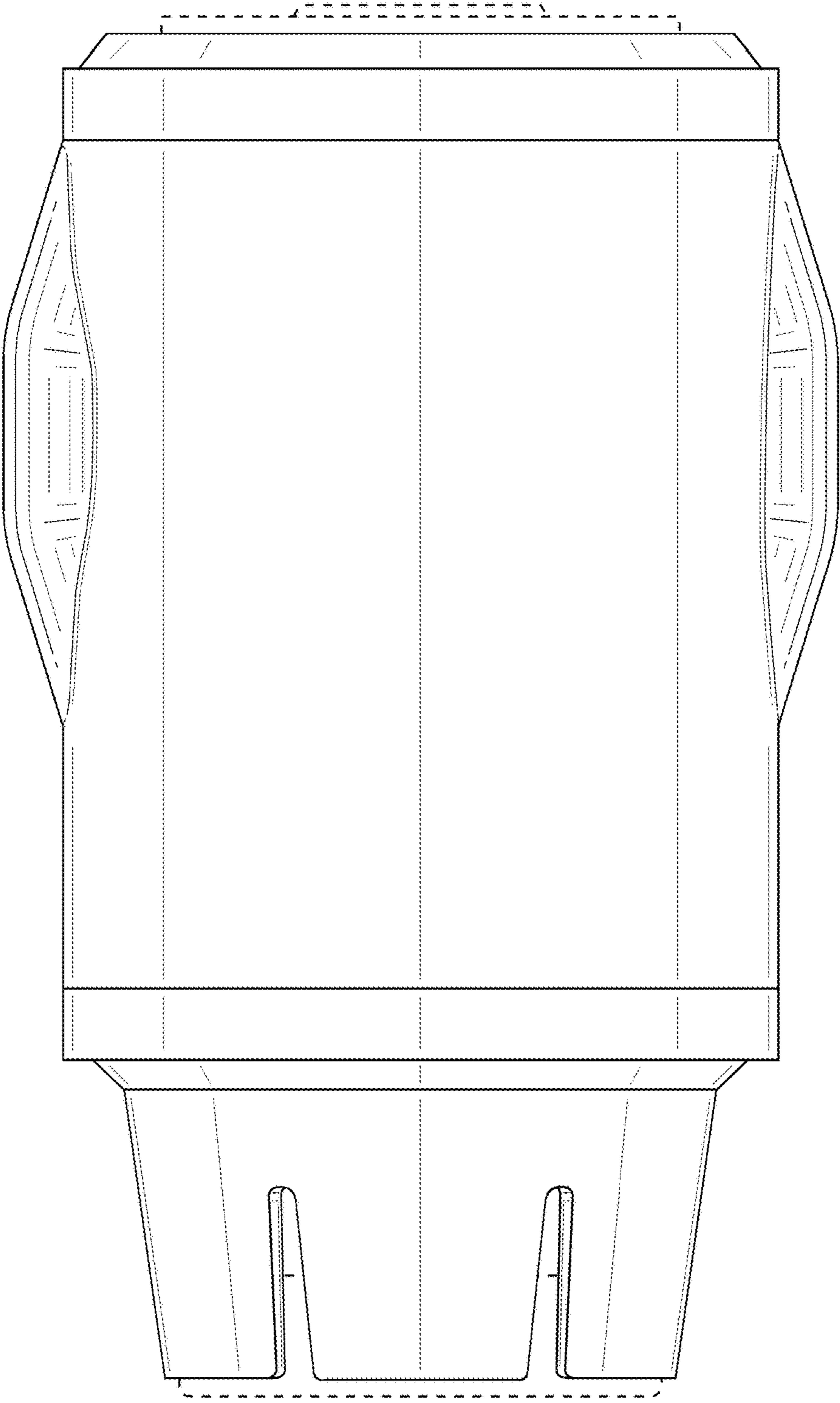


FIG. 2

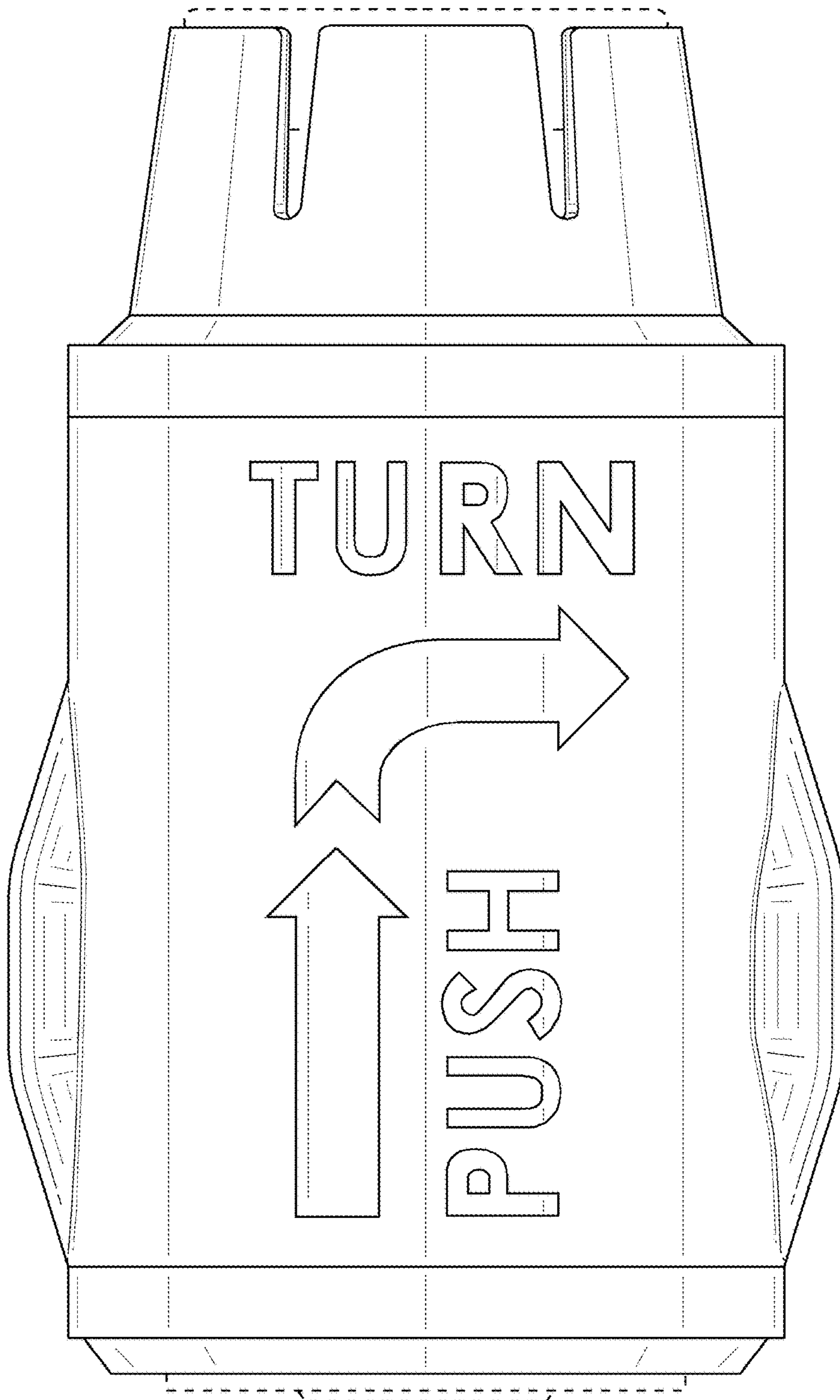


FIG. 3

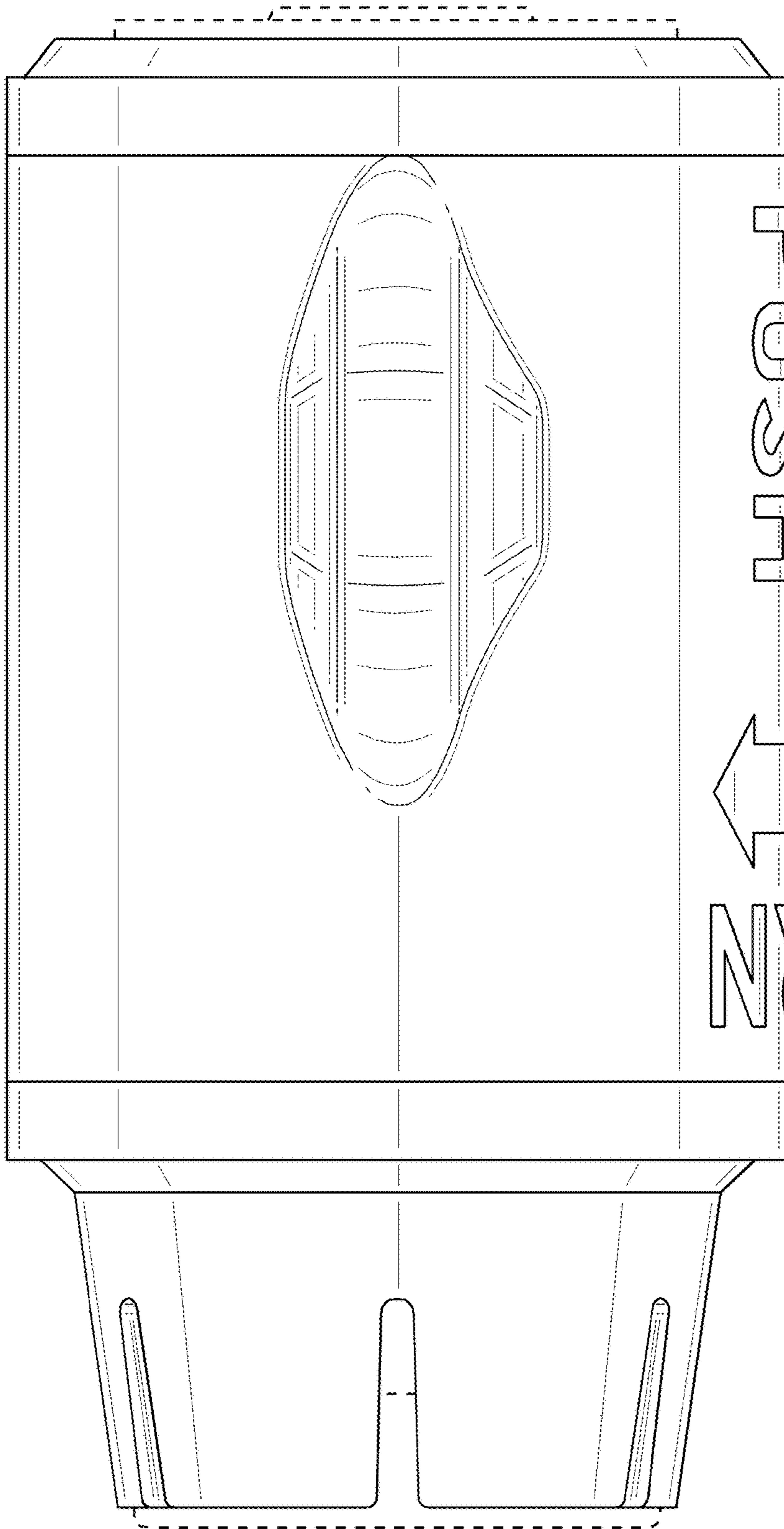


FIG. 4

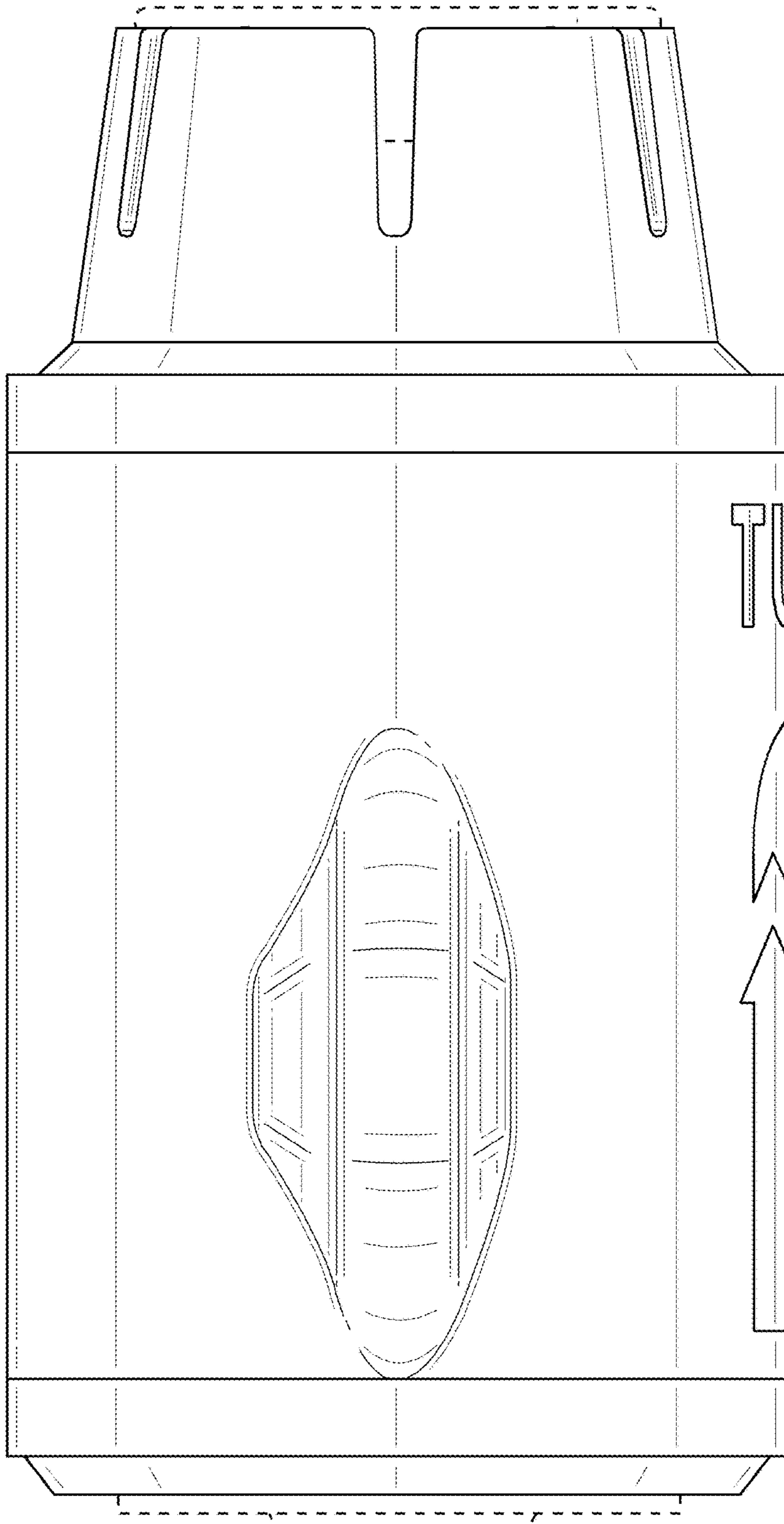


FIG. 5

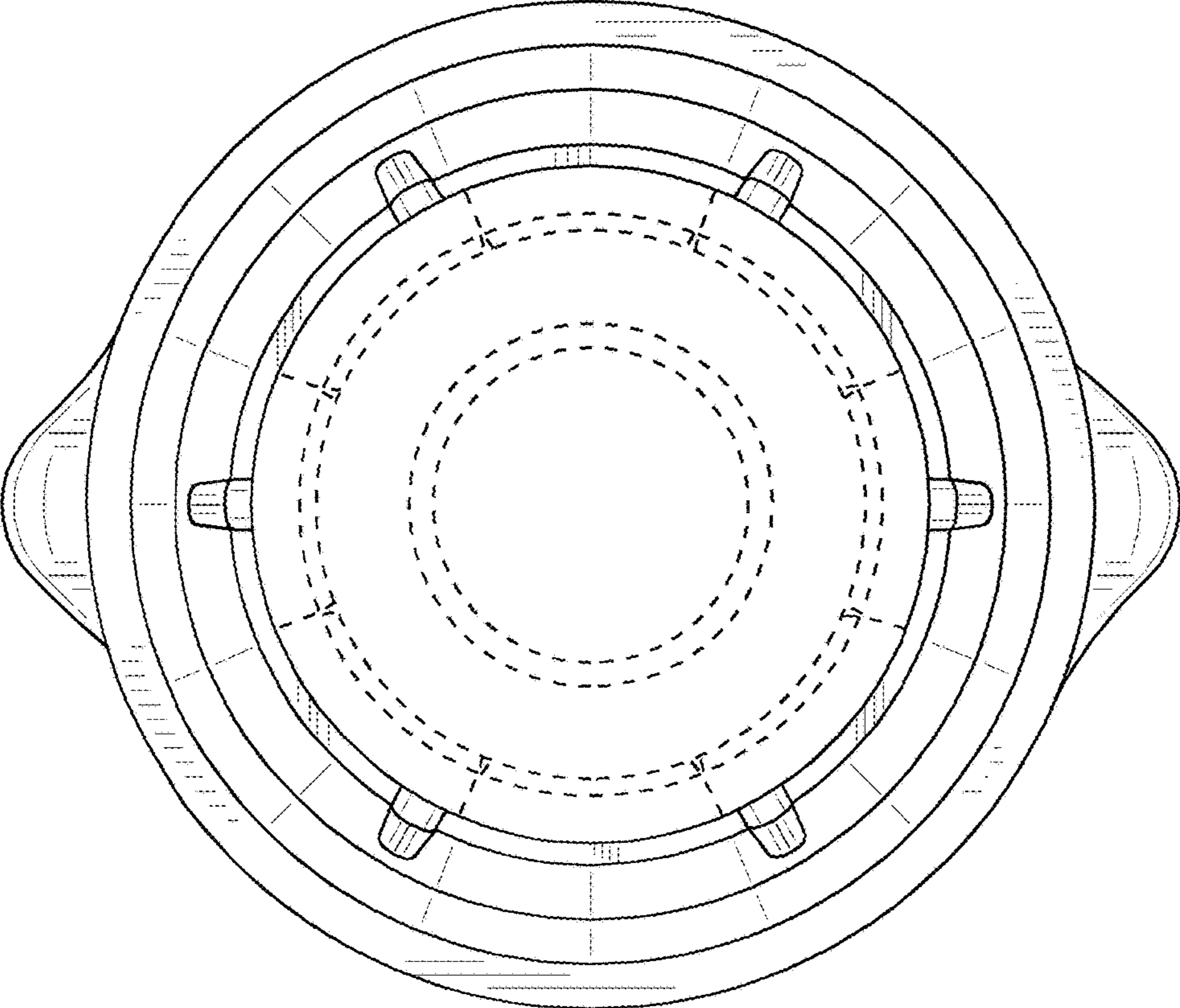


FIG. 6

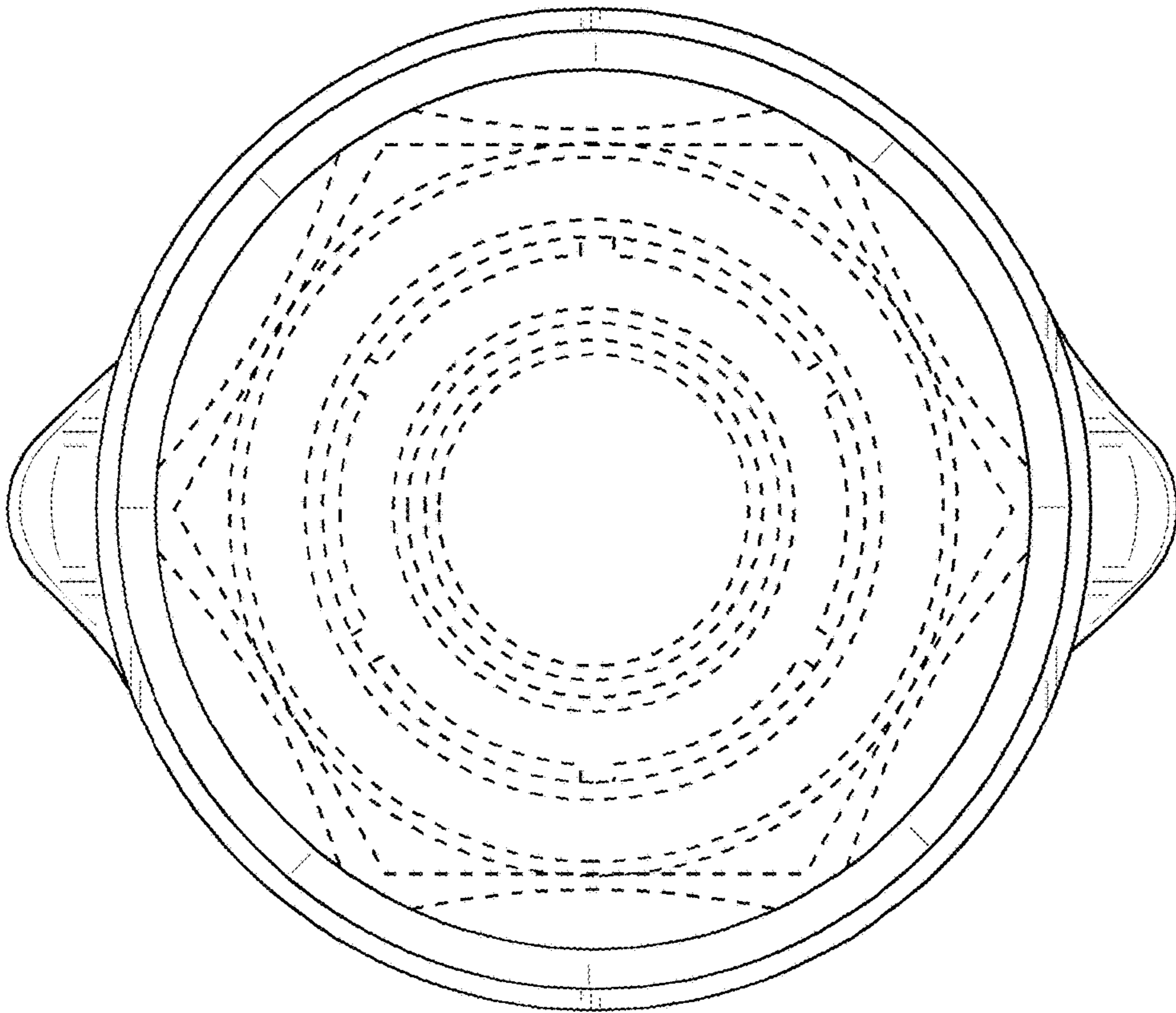


FIG. 7

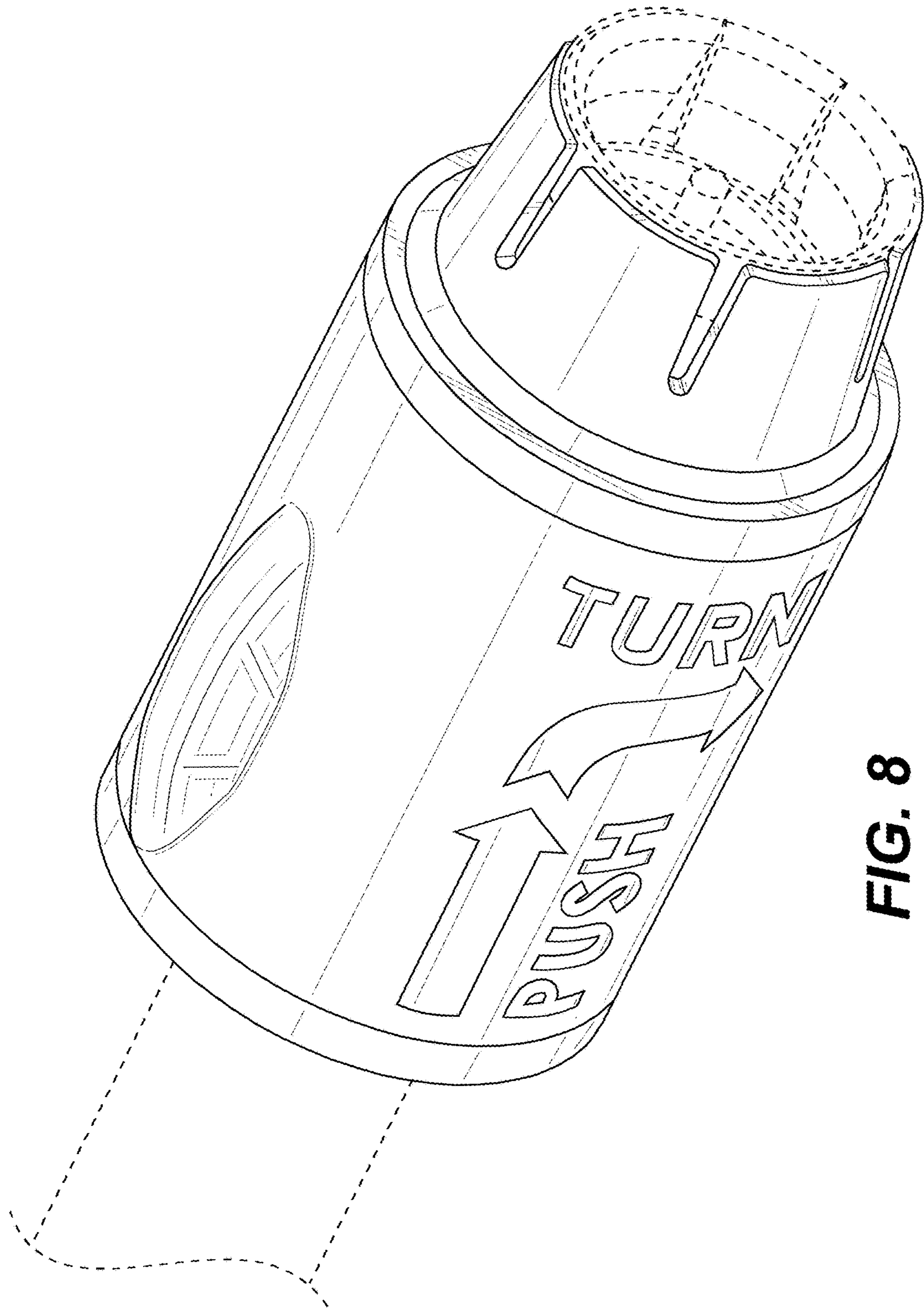


FIG. 8