



US00D810683S

(12) **United States Design Patent**  
**DeKeuster et al.**

(10) **Patent No.:** **US D810,683 S**

(45) **Date of Patent:** **\*\* Feb. 20, 2018**

(54) **BUS BAR CARRIER FOR LITHIUM ION BATTERY MODULE**

(71) Applicant: **Johnson Controls Technology Company**, Plymouth, MI (US)

(72) Inventors: **Richard M. DeKeuster**, Glendale, WI (US); **Nicholas E. Elison**, Milwaukee, WI (US); **Jennifer L. Czarnecki**, Franklin, WI (US); **Rengaraj Balakrishnan**, Plymouth, MI (US)

(73) Assignee: **Johnson Controls Technology Company**, Auburn Hills, MI (US)

(\*\*) Term: **15 Years**

(21) Appl. No.: **29/577,844**

(22) Filed: **Sep. 15, 2016**

(51) **LOC (11) Cl.** ..... **13-02**

(52) **U.S. Cl.**  
USPC ..... **D13/119**

(58) **Field of Classification Search**  
USPC ..... D13/103, 104, 119, 120, 154  
CPC ..... H02B 1/20; H02B 1/21; H01R 13/641;  
H01M 2/1022; H01M 2/1027; H01M 2/105; H01M 2/1072; H01M 2/1077;  
H01M 2/206; H02G 5/025

See application file for complete search history.

(56) **References Cited**

**U.S. PATENT DOCUMENTS**

5,829,995 A \* 11/1998 Rischard ..... H02B 1/21  
439/212  
8,829,346 B2 \* 9/2014 Robinson ..... H02B 1/056  
174/129 B

D742,328 S \* 11/2015 Murphy ..... D13/147  
D743,898 S \* 11/2015 Murphy ..... D13/147  
D763,193 S \* 8/2016 Tyler ..... D13/119  
9,520,587 B2 \* 12/2016 DeKeuster ..... H01M 2/206  
2013/0288530 A1 \* 10/2013 Zhao ..... H01M 2/206  
439/627  
2014/0311768 A1 \* 10/2014 Takishita ..... H01R 13/447  
174/66  
2016/0093852 A1 \* 3/2016 DeKeuster ..... H01M 2/1077  
320/107  
2016/0197329 A1 \* 7/2016 Mack ..... H01M 2/305  
429/90  
2016/0301058 A1 \* 10/2016 Tyler ..... H01M 2/206  
2017/0179460 A1 \* 6/2017 Gotoh ..... H01M 2/1077

\* cited by examiner

*Primary Examiner* — Selina Sikder

(74) *Attorney, Agent, or Firm* — Fletcher Yoder, P.C.

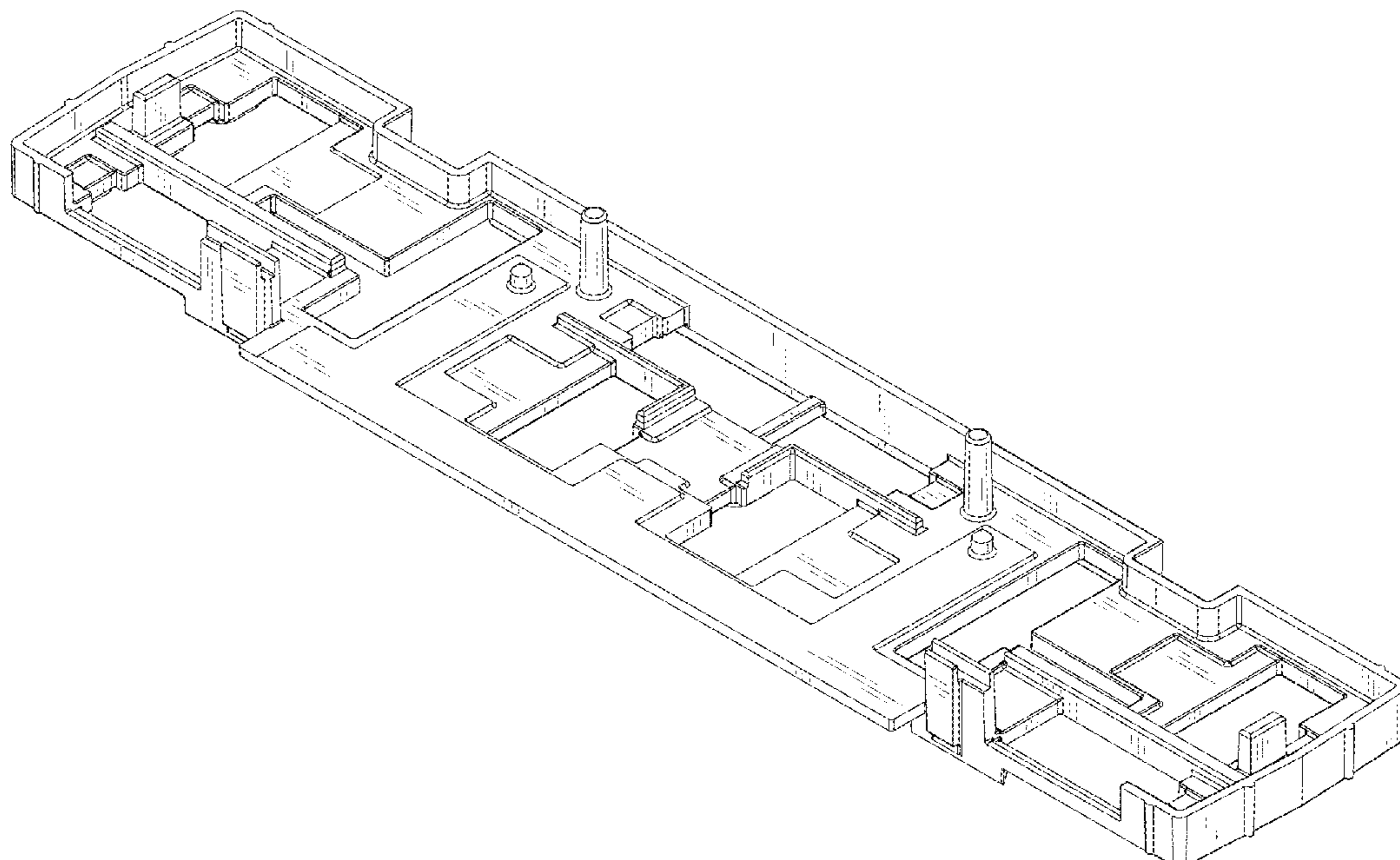
(57) **CLAIM**

The ornamental design for a bus bar carrier for a lithium ion battery module, as shown and described.

**DESCRIPTION**

FIG. 1 is an overhead perspective view of the bus bar carrier for a lithium ion battery module showing our new design; FIG. 2 is a underside perspective view thereof; FIG. 3 is an overhead plan view thereof; FIG. 4 is a bottom plan view thereof; FIG. 5 is a right side elevation view thereof, the left side being a mirror image; FIG. 6 is a front elevational view thereof; and, FIG. 7 is rear elevational view thereof.

**1 Claim, 4 Drawing Sheets**



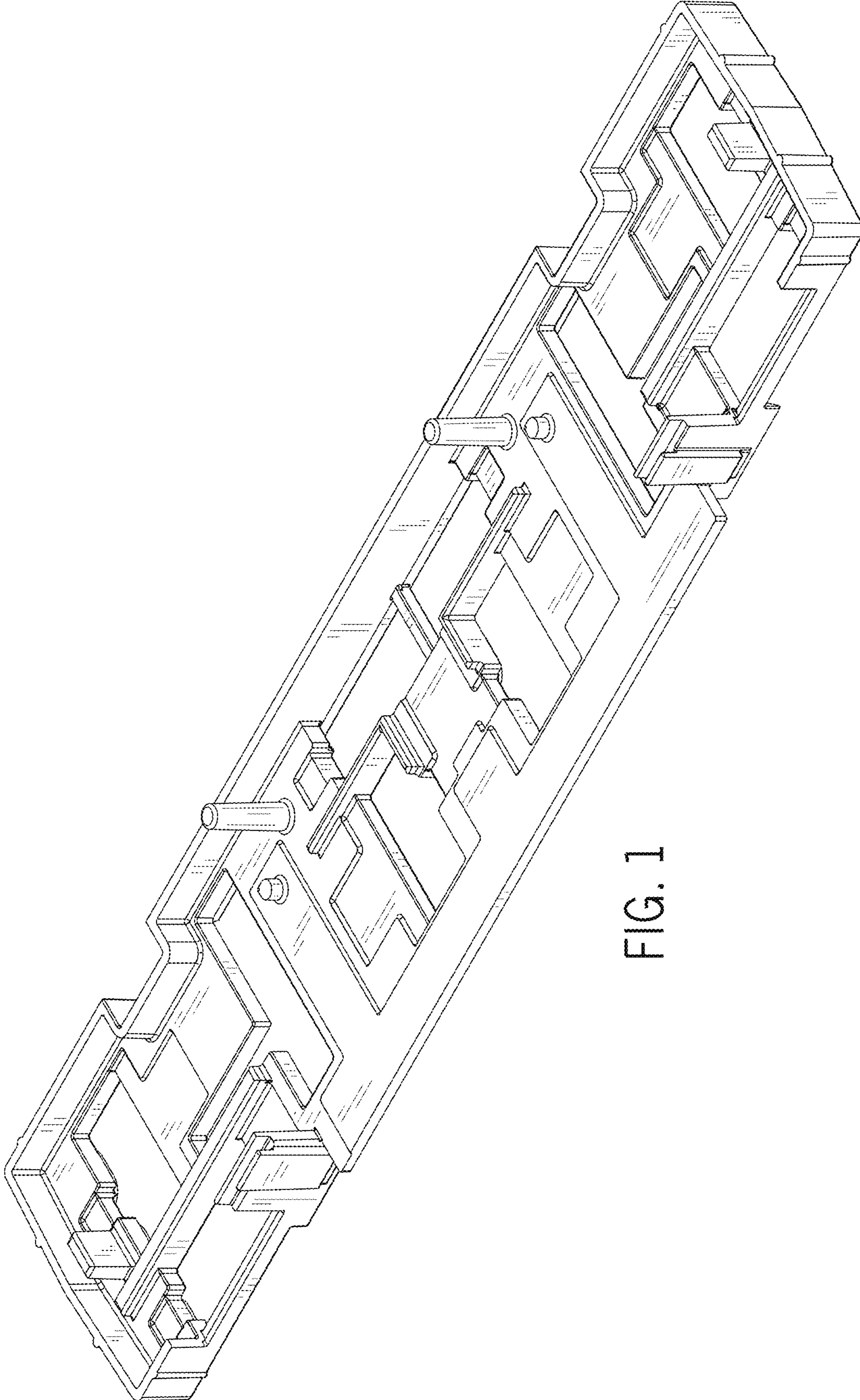


FIG. 1

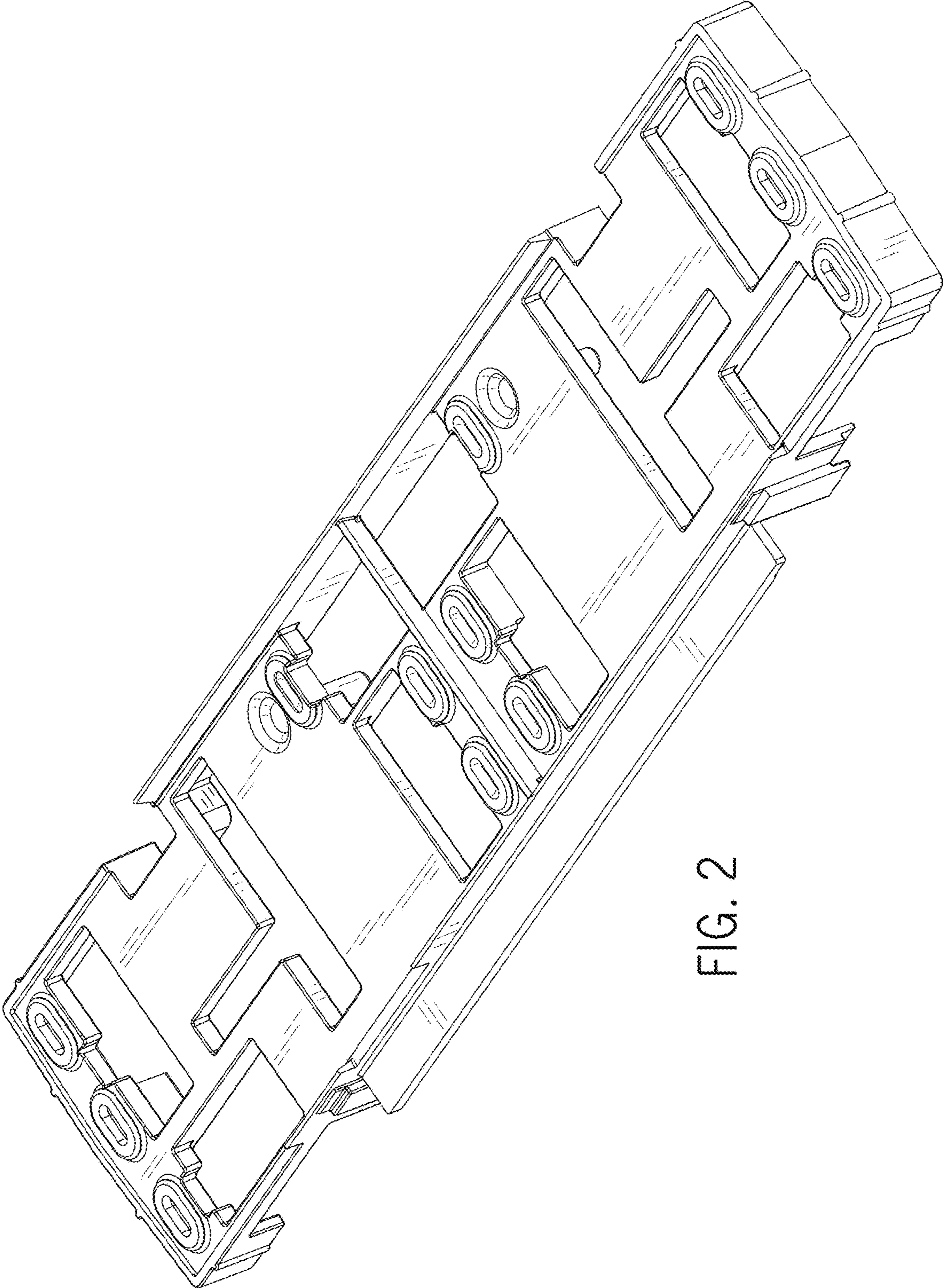


FIG. 2

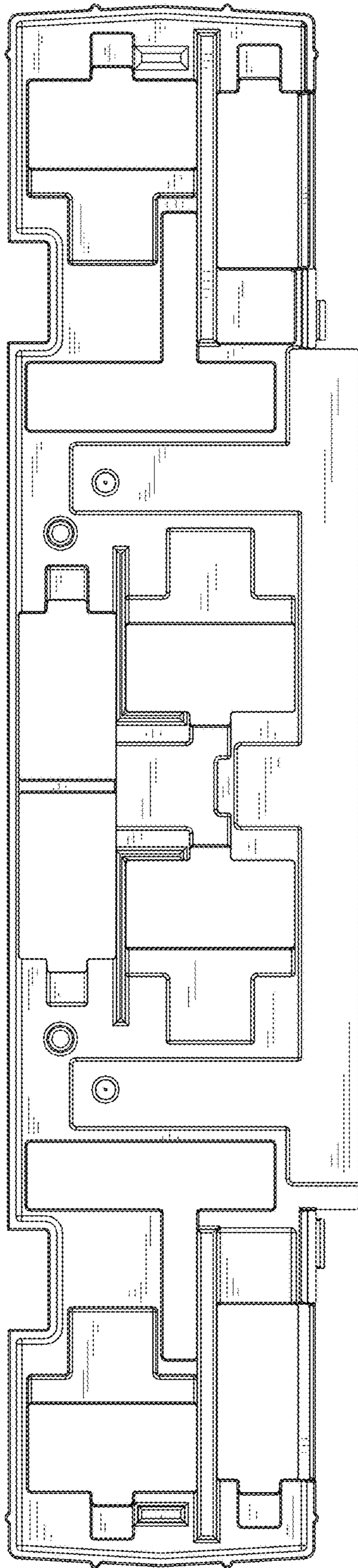


FIG. 3

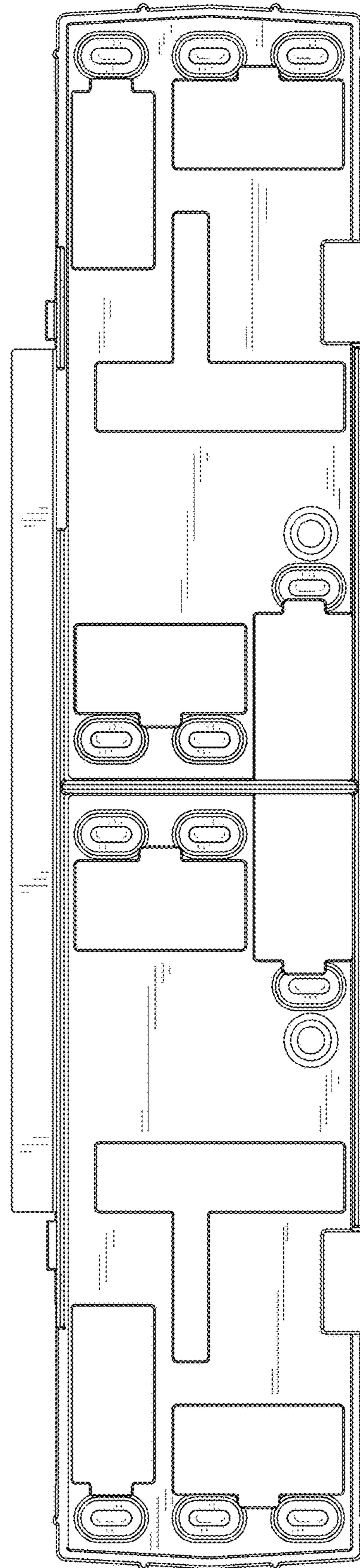


FIG. 4

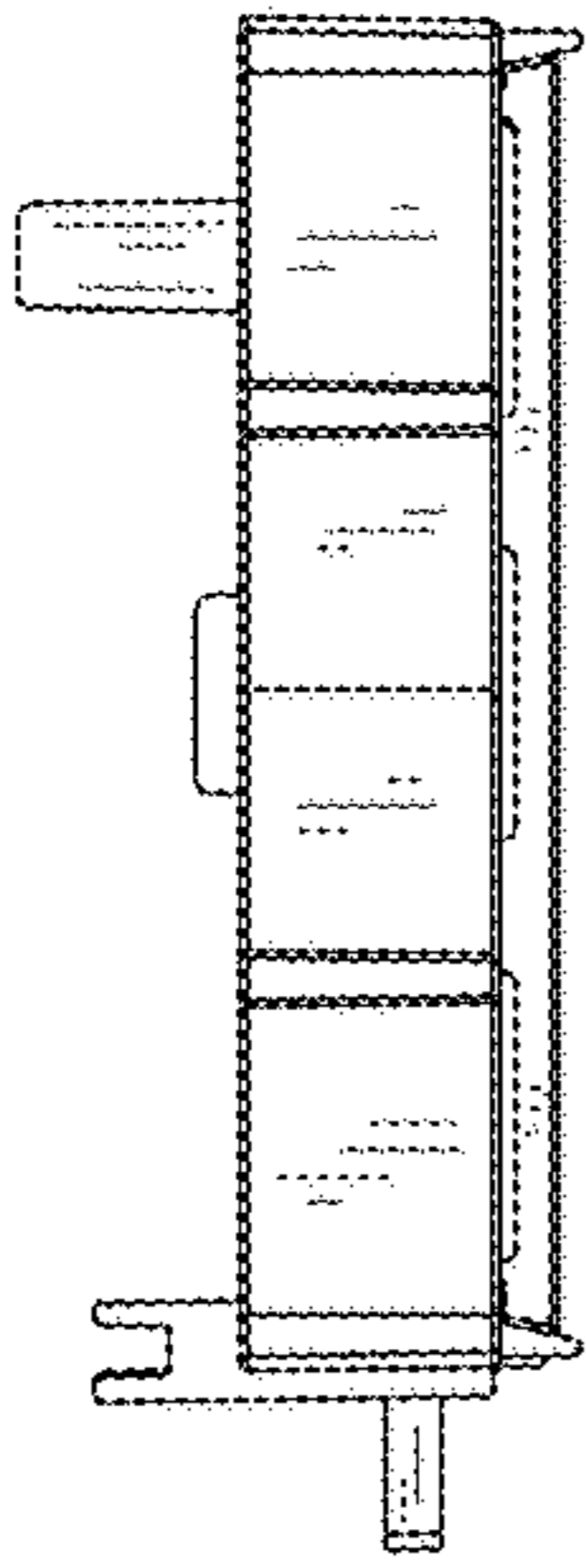


FIG. 5

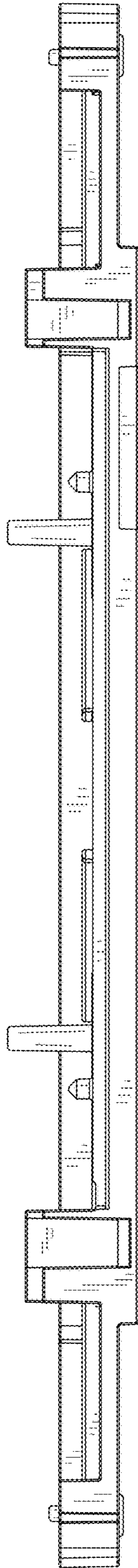


FIG. 6

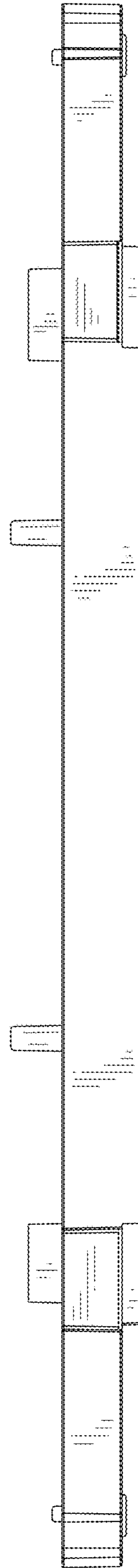


FIG. 7