



US00D810682S

(12) **United States Design Patent** (10) **Patent No.:** **US D810,682 S**
Dai (45) **Date of Patent:** **** Feb. 20, 2018**

(54) **COVER LID OF BATTERY**

(71) Applicant: **Alex Dai**, Taichung (TW)

(72) Inventor: **Alex Dai**, Taichung (TW)

(**) Term: **15 Years**

(21) Appl. No.: **29/551,673**

(22) Filed: **Jan. 15, 2016**

(30) **Foreign Application Priority Data**

Jul. 16, 2015 (TW) 104303794

(51) **LOC (11) Cl.** **13-02**

(52) **U.S. Cl.**
USPC **D13/119**

(58) **Field of Classification Search**
USPC D13/102-106, 110, 118-119, 184
CPC Y02E 60/12; Y02E 60/122; Y02E 60/124;
Y02E 60/50; H01M 2/02; H01M 2/022;
H01M 2/0202; H01M 2/0207; H01M
2/0212; H01M 2/1061; H01M 2/1022;
H01M 2/1055; H01M 2/1066; H01M
2/105; H01M 2/204; H01M 2/1016;
H01M 2200/00; H01M 10/4257; H01M
10/0436; H01M 10/48; H01M 10/42
See application file for complete search history.

(56) **References Cited**

U.S. PATENT DOCUMENTS

D449,578 S * 10/2001 Rogers D13/119
D495,994 S * 9/2004 Arakelian D13/103
D499,070 S * 11/2004 Lavington D13/119
6,942,945 B2 * 9/2005 Andersen H01M 2/1005
429/100

D517,479 S * 3/2006 Schemm D13/103
D517,987 S * 3/2006 Castagnola D13/103
D517,988 S * 3/2006 Ihde D13/103
D592,134 S * 5/2009 Brockington D13/119
D642,119 S * 7/2011 Baetica D13/103
D681,549 S * 5/2013 Jackson D13/103
D765,598 S * 9/2016 Dai D13/119
2007/0024236 A1 * 2/2007 Arakelian H01M 2/1072
320/107
2011/0076551 A1 * 3/2011 Nagaoka H01M 2/1022
429/179

* cited by examiner

Primary Examiner — Rosemary K Tarca
Assistant Examiner — Nathaniel D. Buckner
(74) *Attorney, Agent, or Firm* — Muncy, Geissler, Olds & Lowe, P.C.

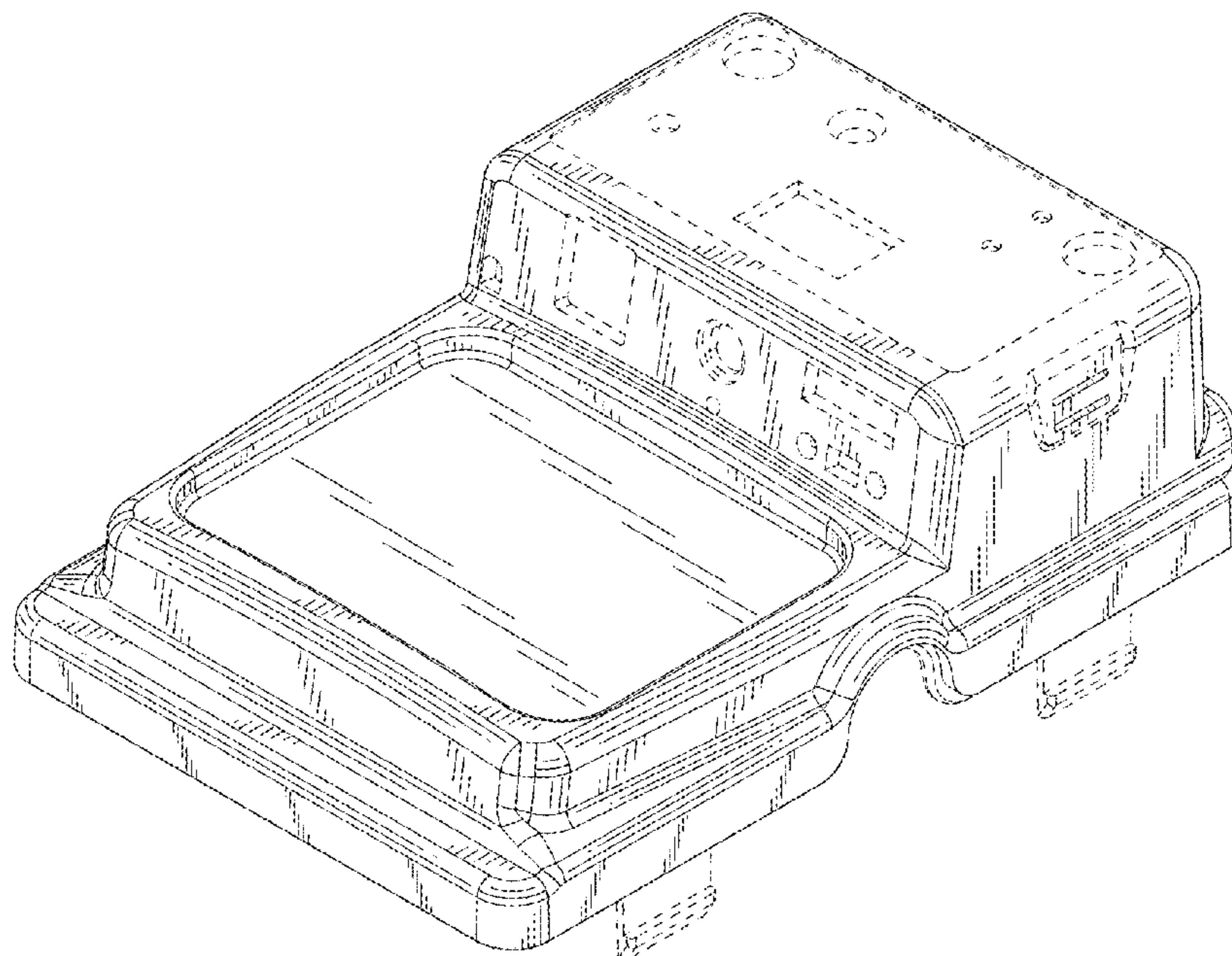
(57) **CLAIM**

I claim the ornamental design for a cover lid of battery, as shown and described.

DESCRIPTION

FIG. 1 is a perspective view of a cover lid of battery showing my new design;
FIG. 2 is a front view thereof;
FIG. 3 is a rear view thereof;
FIG. 4 is a left side view thereof, the right side being a mirror image;
FIG. 5 is a top plan view thereof; and,
FIG. 6 is a perspective view of the cover lid of battery in use. The bottom view is devoid of claimed ornamentation, and is omitted from drawings.
The portions shown in broken lines are for the purpose of illustrating environmental structure only and form no part of the claimed design.

1 Claim, 5 Drawing Sheets



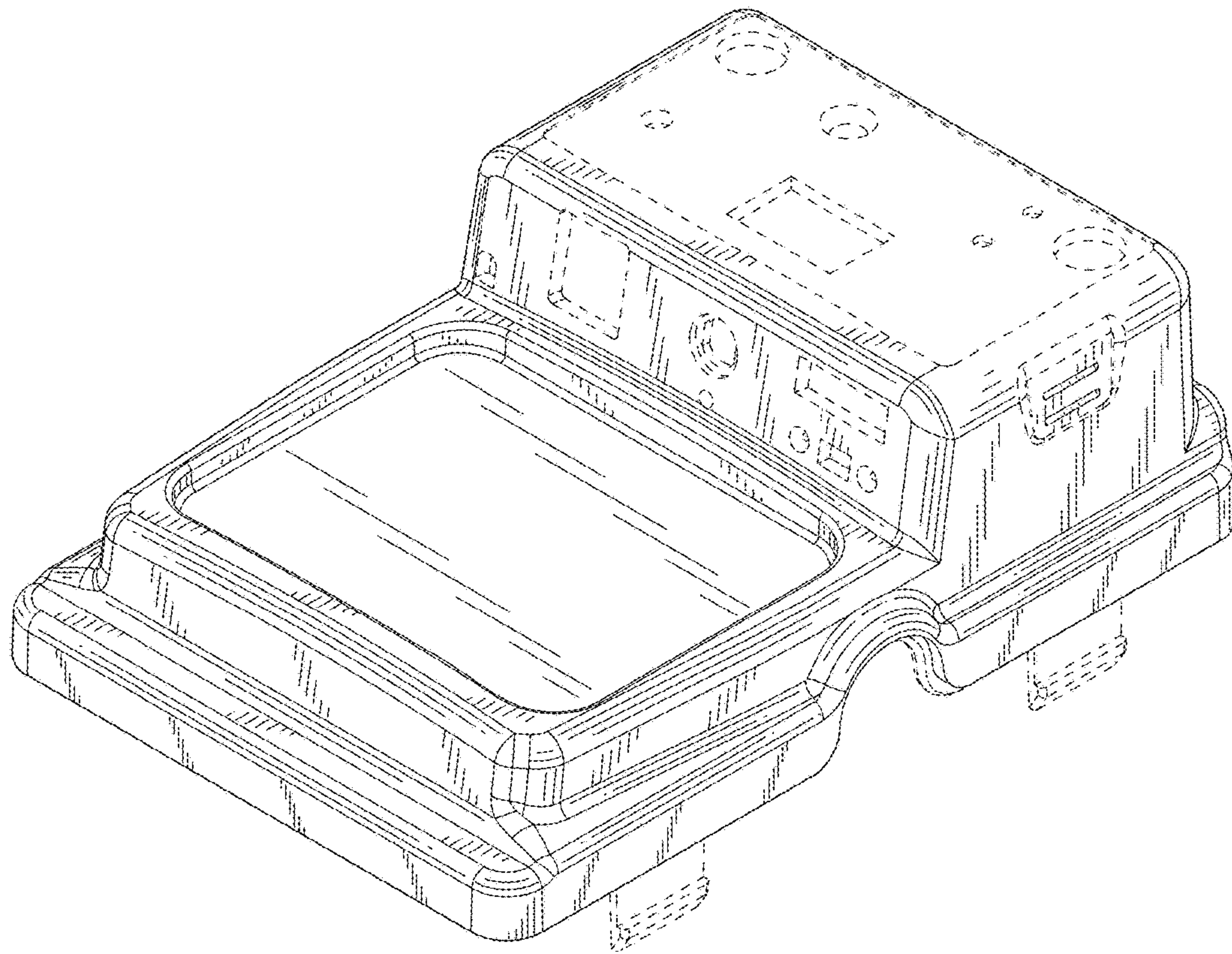


FIG. 1

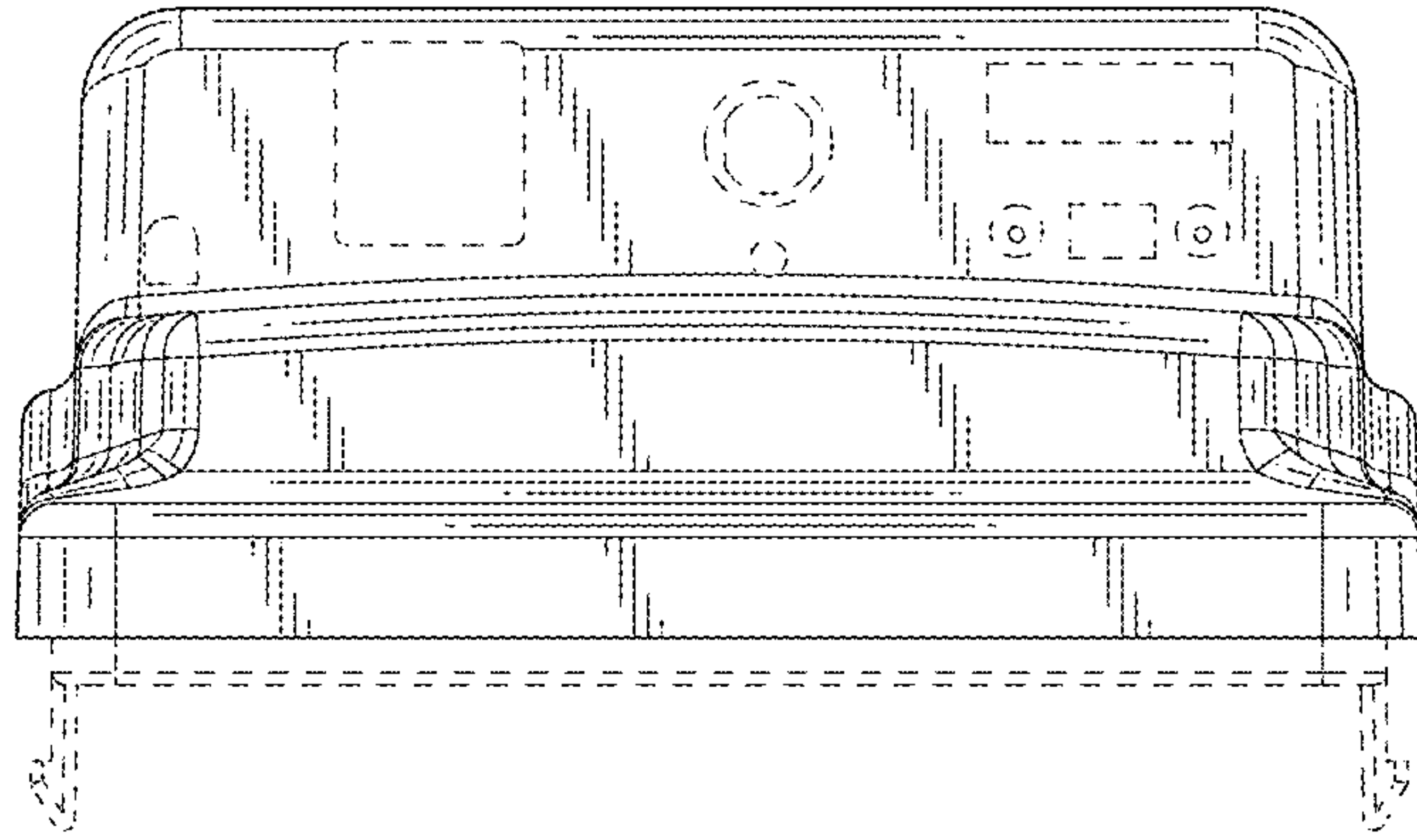


FIG. 2

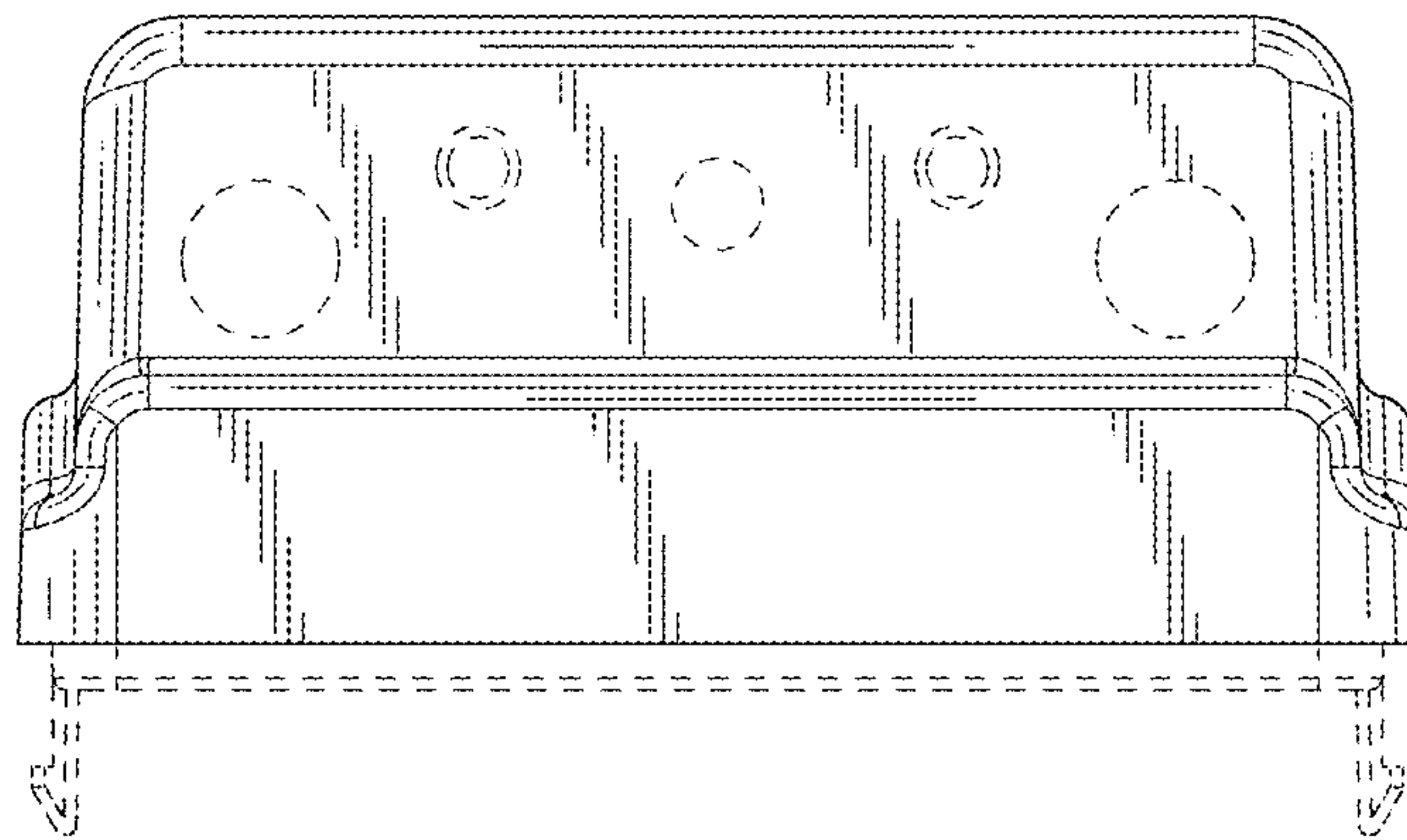


FIG. 3

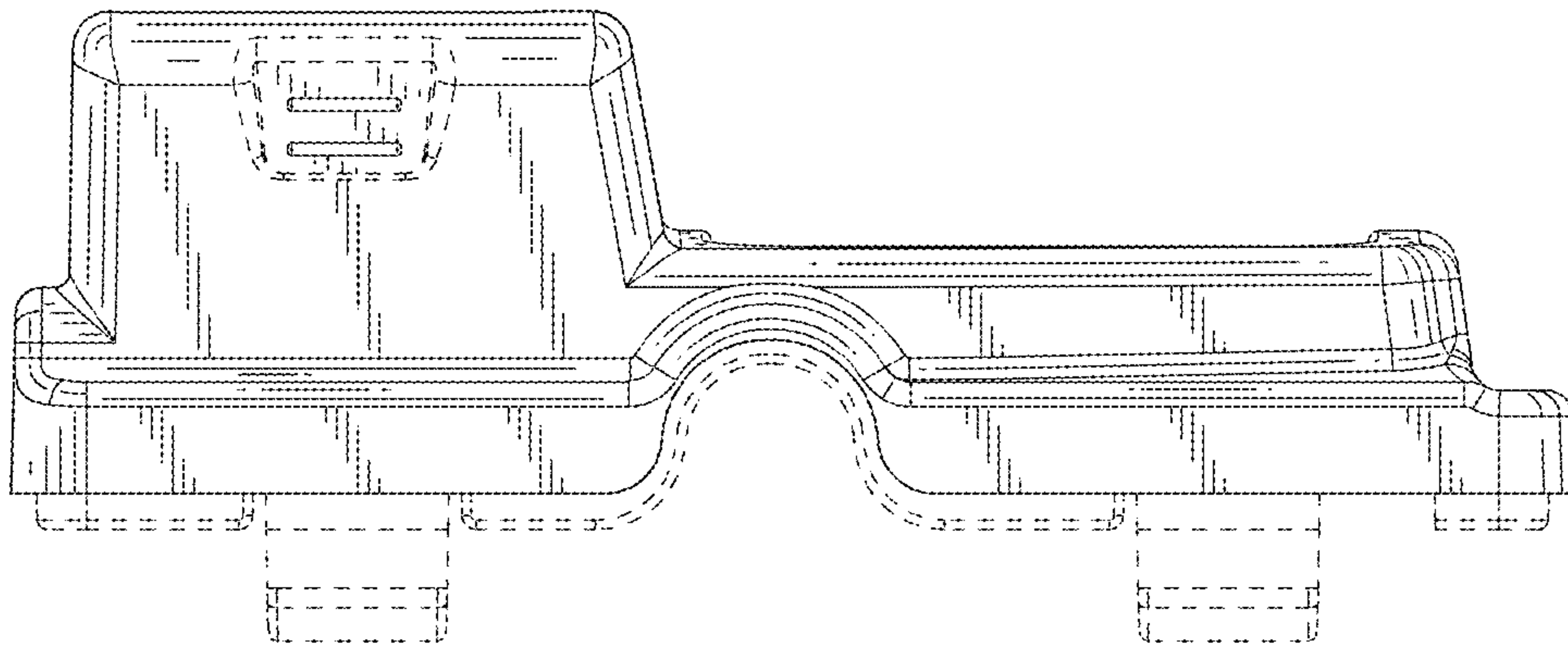


FIG. 4

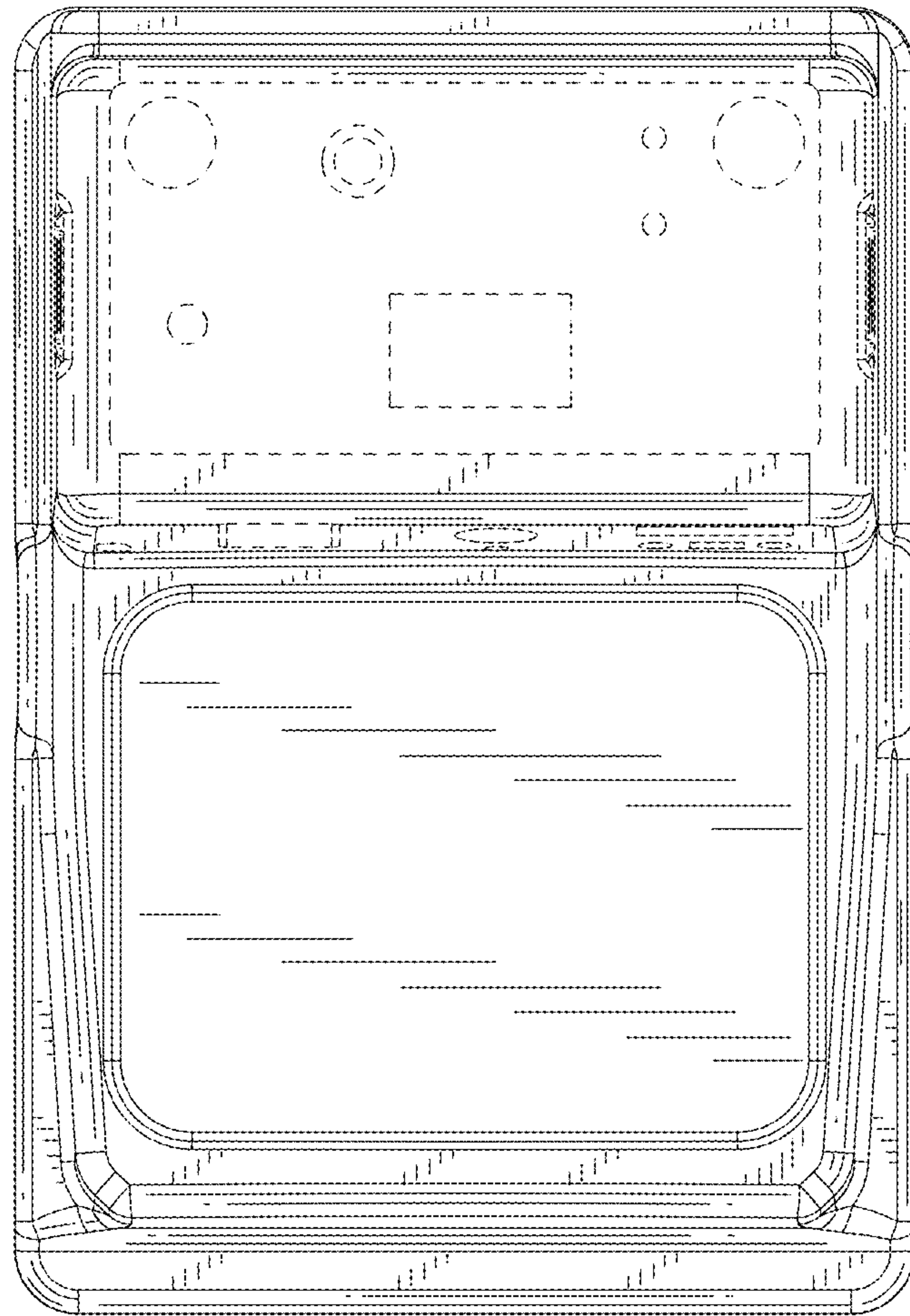


FIG. 5

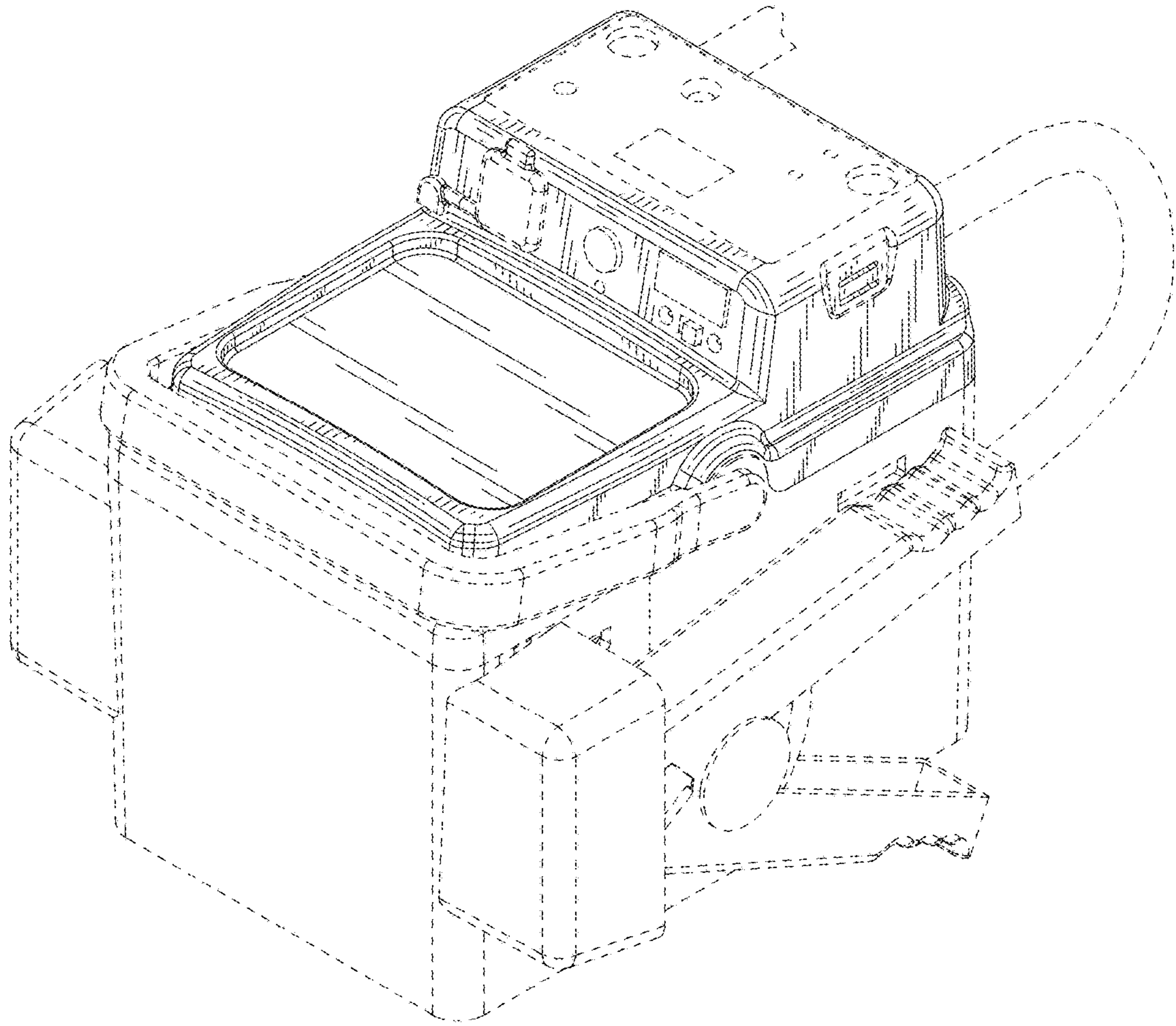


FIG. 6