



US00D810681S

(12) **United States Design Patent**  
**Ji et al.**

(10) **Patent No.:** **US D810,681 S**

(45) **Date of Patent:** **\*\* Feb. 20, 2018**

(54) **SMART SOCKET SET**

(71) Applicants: **NANNING FUGUI PRECISION INDUSTRIAL CO., LTD.**, Nanning (CN); **HON HAI PRECISION INDUSTRY CO., LTD.**, New Taipei (TW)

(72) Inventors: **Yan-Juan Ji**, Shenzhen (CN); **Yao Liu**, Shenzhen (CN)

(73) Assignees: **NANNING FUGUI PRECISION INDUSTRIAL CO., LTD.**, Nanning (CN); **HON HAI PRECISION INDUSTRY CO., LTD.**, New Taipei (TW)

(\*\*) Term: **15 Years**

(21) Appl. No.: **29/553,455**

(22) Filed: **Feb. 2, 2016**

(30) **Foreign Application Priority Data**

Sep. 25, 2015 (CN) ..... 201530376348.6

(51) **LOC (11) Cl.** ..... **13-02**

(52) **U.S. Cl.**  
USPC ..... **D13/110**

(58) **Field of Classification Search**  
USPC ..... D13/108, 110, 123, 133, 137.1–137.4, D13/138.1–138.2, 139.1–139.8, 152–154, D13/156, 158, 177; D8/350–353, 331  
CPC ..... H01R 25/00; H01R 25/006  
See application file for complete search history.

(56) **References Cited**

U.S. PATENT DOCUMENTS

3,041,720 A \* 7/1962 Pantas ..... E05B 15/02  
428/542.2  
4,084,417 A \* 4/1978 Daniel ..... E05B 63/0043  
70/431

D324,635 S \* 3/1992 Weinerman ..... D8/331  
D367,259 S \* 2/1996 Sachs ..... D13/133  
D507,472 S \* 7/2005 Arnold ..... D8/331  
D524,143 S \* 7/2006 Finkelstein ..... D8/331  
D630,929 S \* 1/2011 Downey ..... D8/331  
D669,029 S \* 10/2012 Huang ..... D13/110  
D683,205 S \* 5/2013 Cramer ..... D8/331  
D709,754 S \* 7/2014 Lylyk ..... D8/331  
D760,064 S \* 6/2016 Aispuro ..... D8/350  
D777,107 S \* 1/2017 Ji ..... D13/137.2  
D783,384 S \* 4/2017 Shargh ..... D8/330  
D784,791 S \* 4/2017 Aragaw ..... D8/353  
D786,791 S \* 5/2017 Jeong ..... D13/108  
D787,299 S \* 5/2017 Liu ..... D8/330  
D788,603 S \* 6/2017 Liu ..... D10/102  
2017/0155526 A1 \* 6/2017 Li ..... H04L 12/50

\* cited by examiner

*Primary Examiner* — Rosemary K Tarcza

*Assistant Examiner* — Christy M Nemeth

(74) *Attorney, Agent, or Firm* — ScienbiziP, P.C.

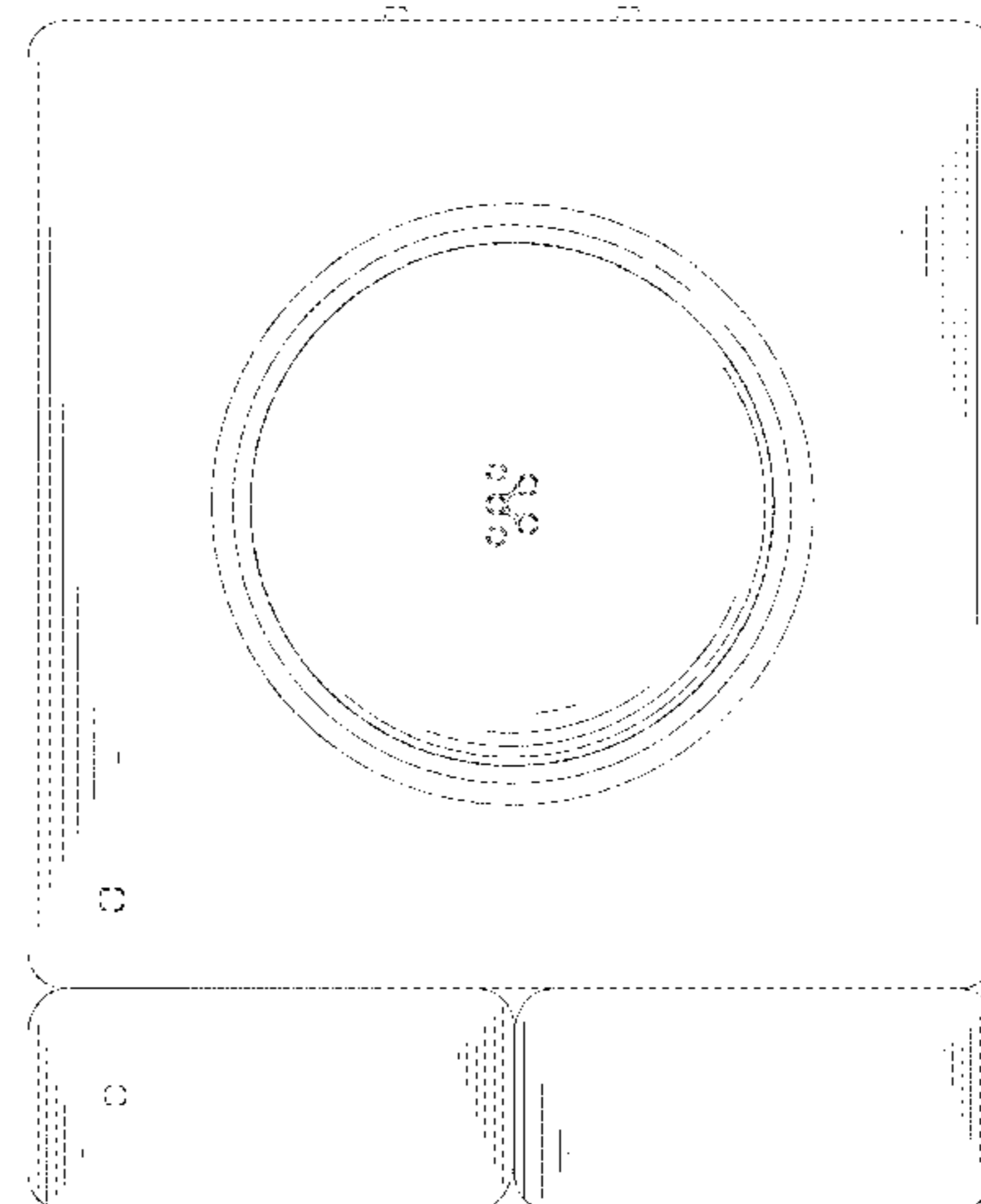
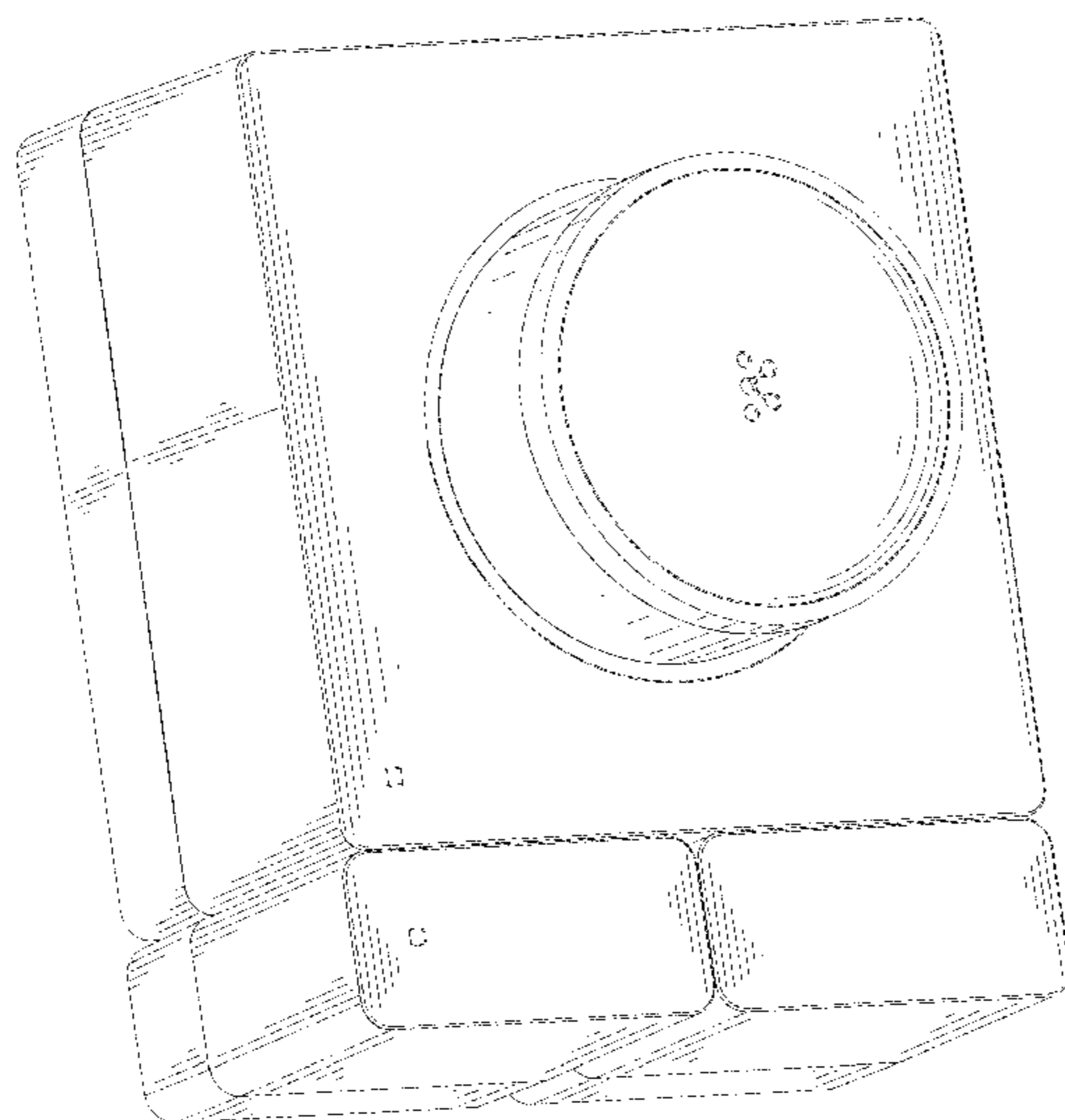
(57) **CLAIM**

The ornamental design for a smart socket set, as shown and described.

**DESCRIPTION**

FIG. 1 is a perspective view of a smart socket set;  
FIG. 2 is a front elevational view thereof;  
FIG. 3 is a rear elevational view thereof;  
FIG. 4 is a left side elevational view thereof;  
FIG. 5 is a right side elevational view thereof;  
FIG. 6 is a top plan view thereof; and,  
FIG. 7 is a bottom plan view thereof.  
The broken lines in the drawings are for the purpose of illustrating portions of the smart socket set that form no part of the claimed design.

**1 Claim, 7 Drawing Sheets**



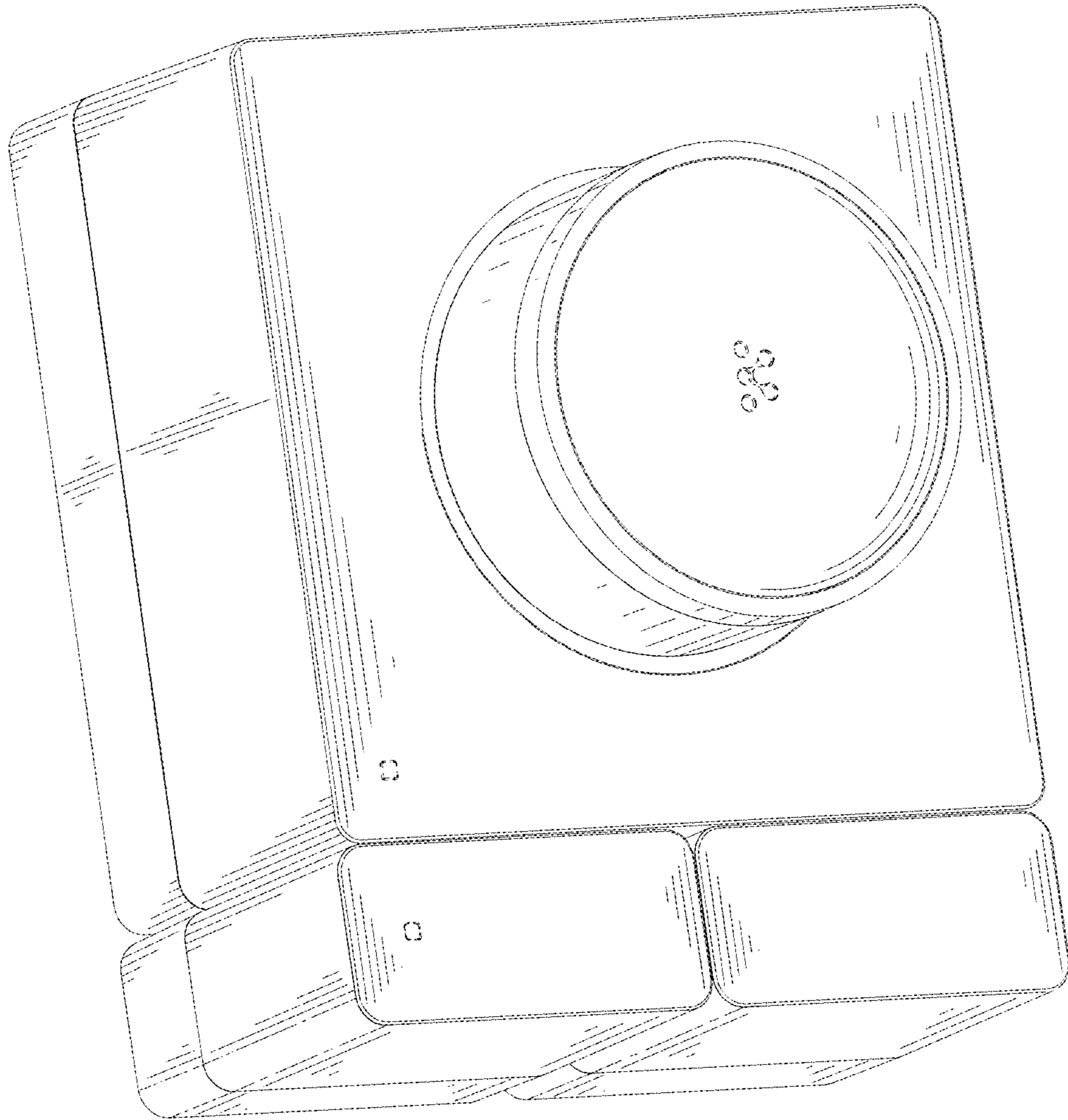


FIG. 1

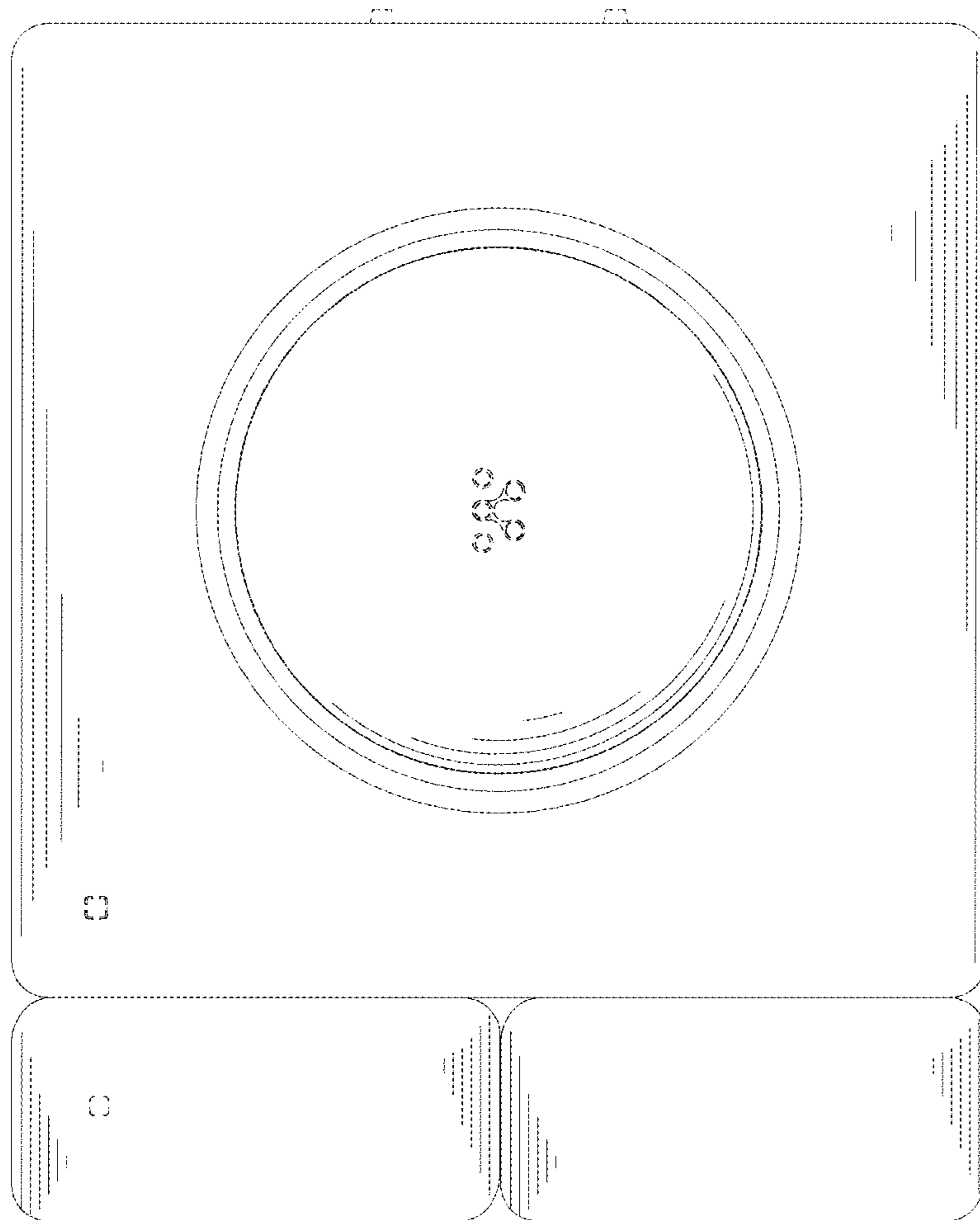


FIG. 2

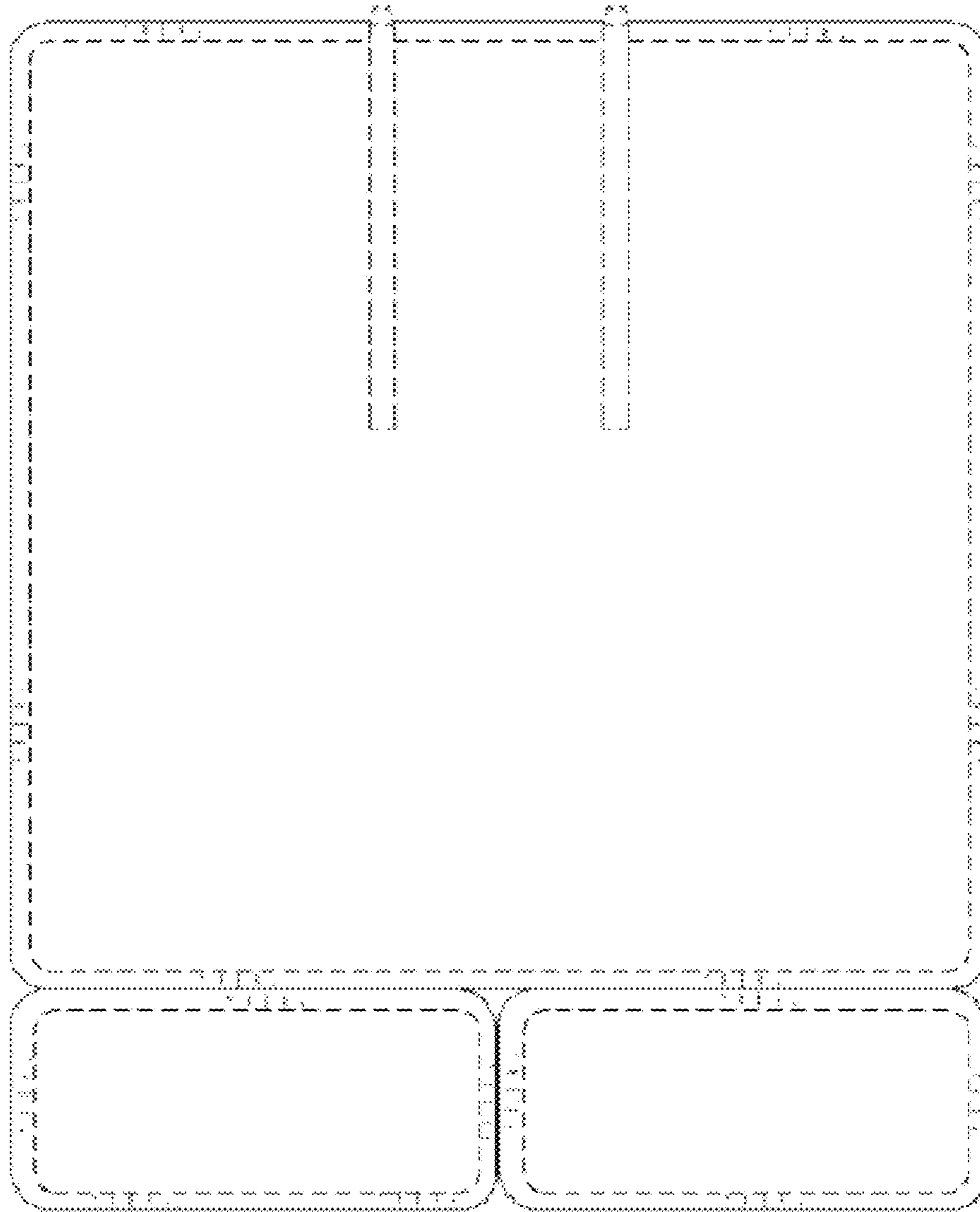


FIG. 3

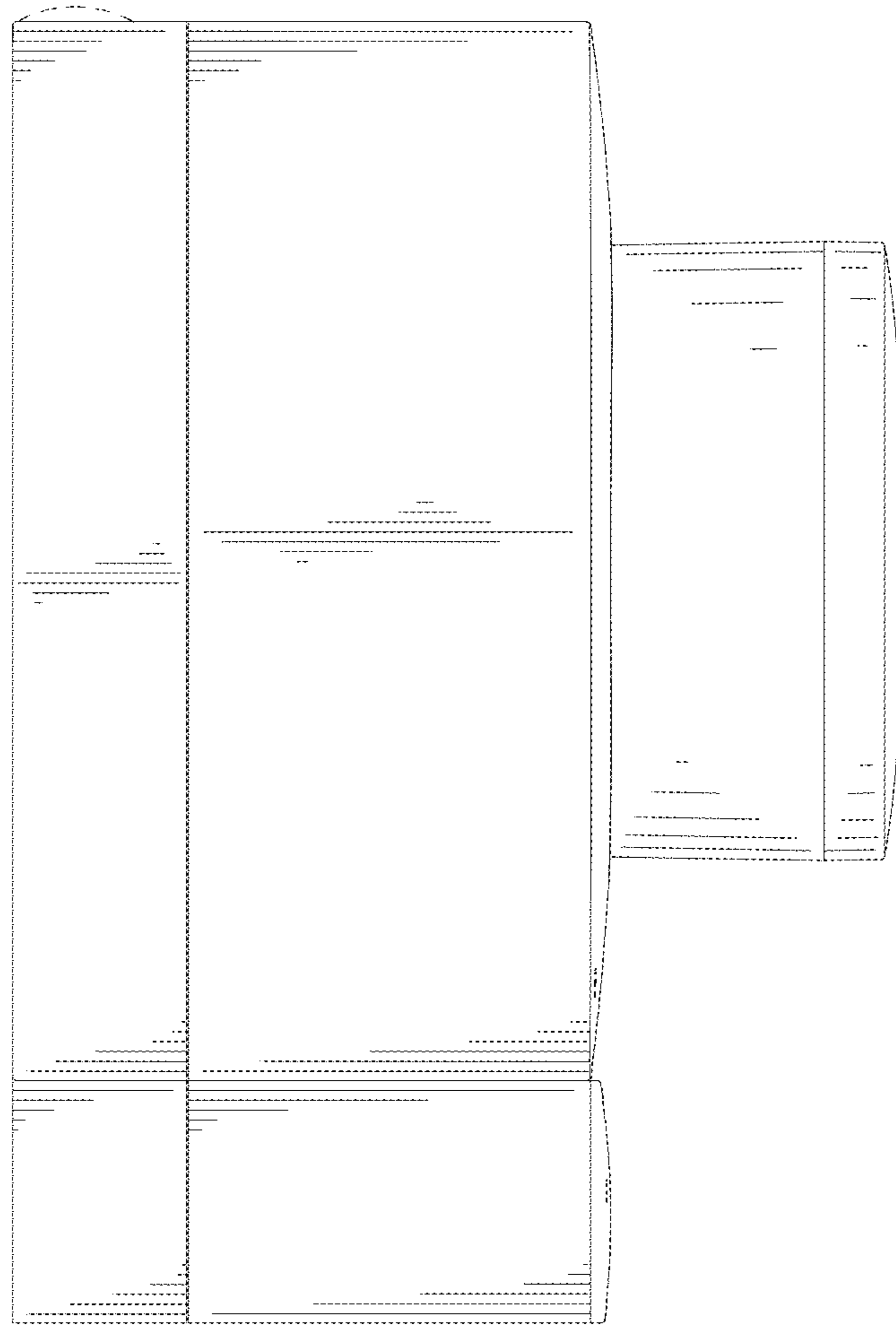


FIG. 4

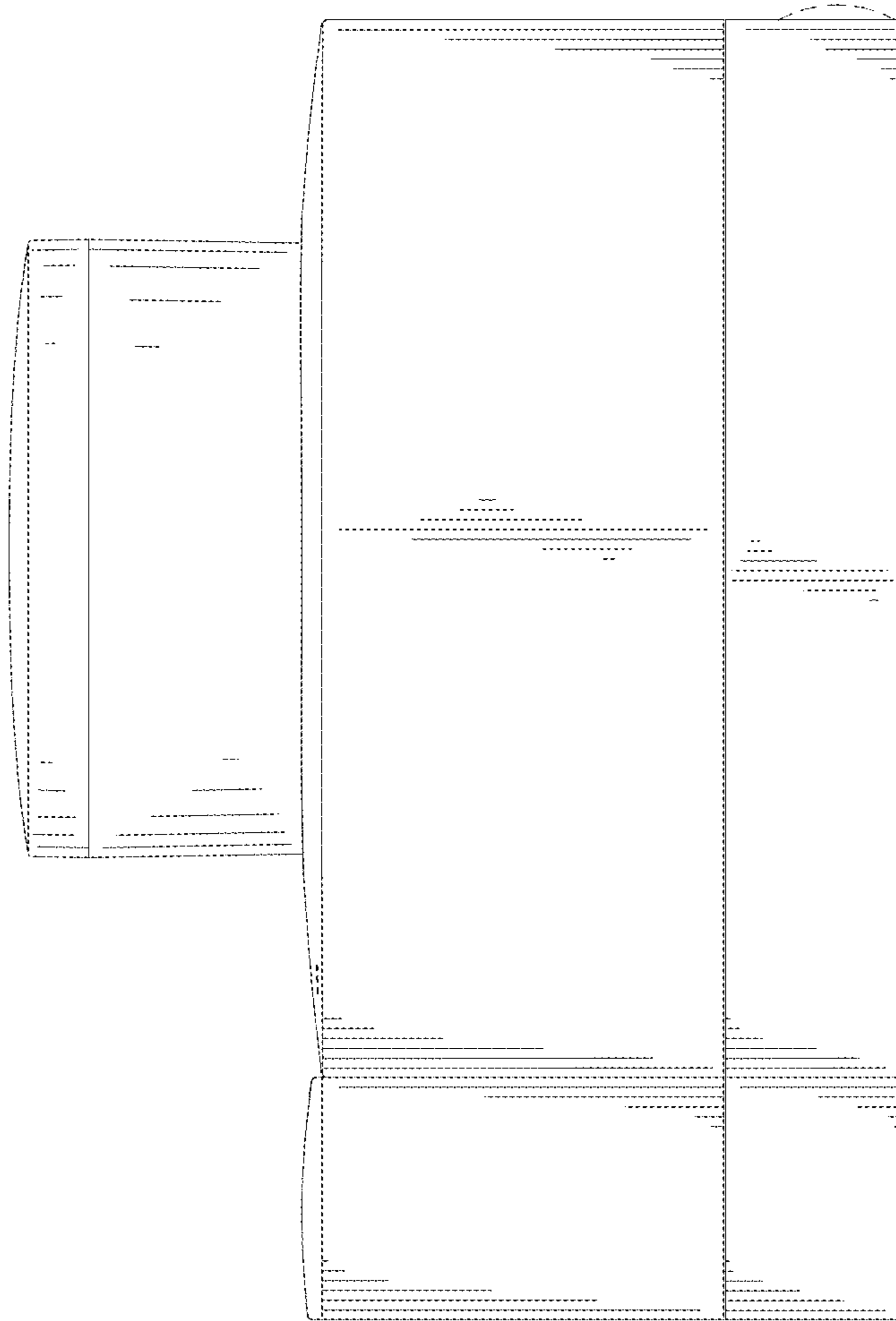


FIG. 5

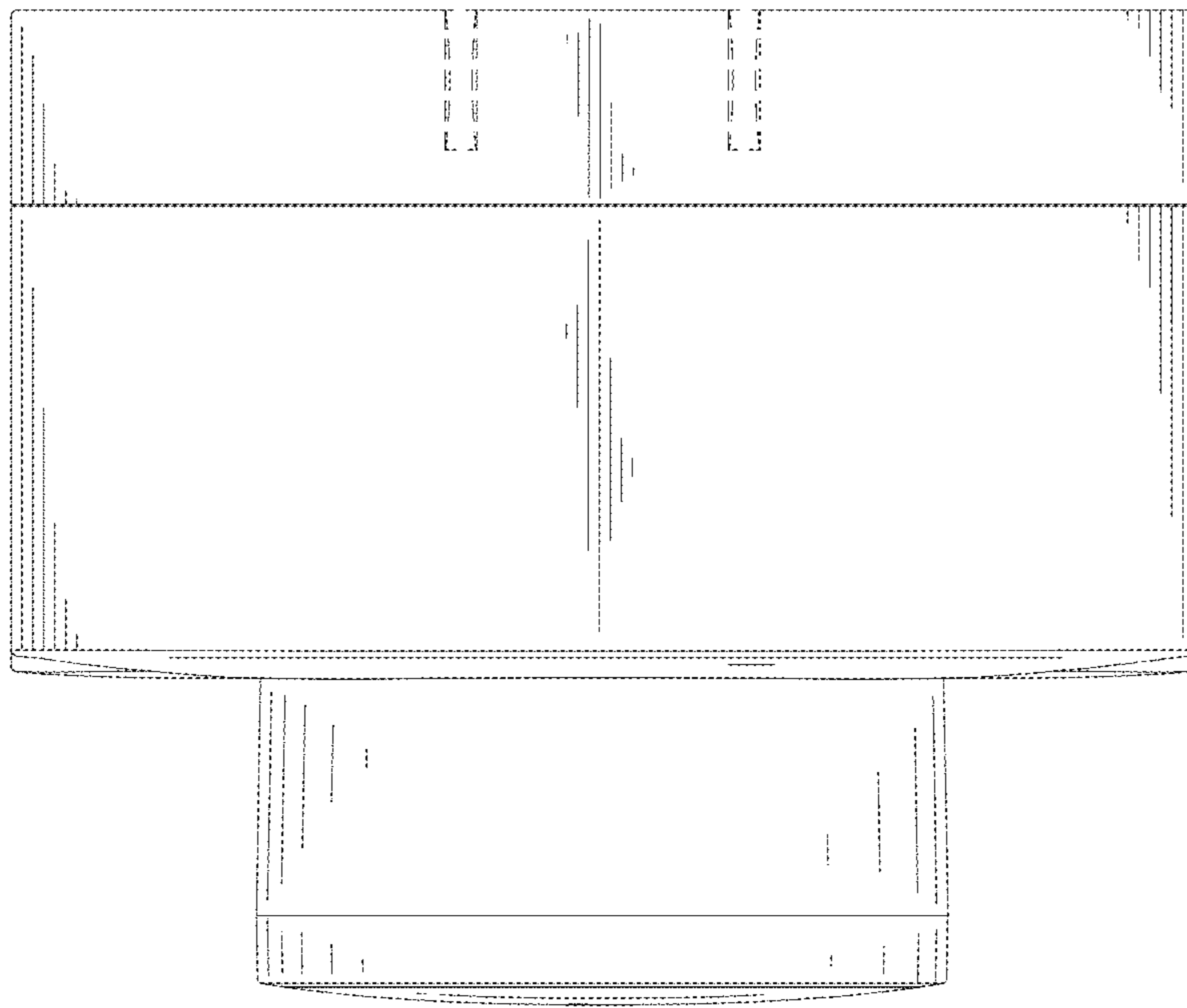


FIG. 6

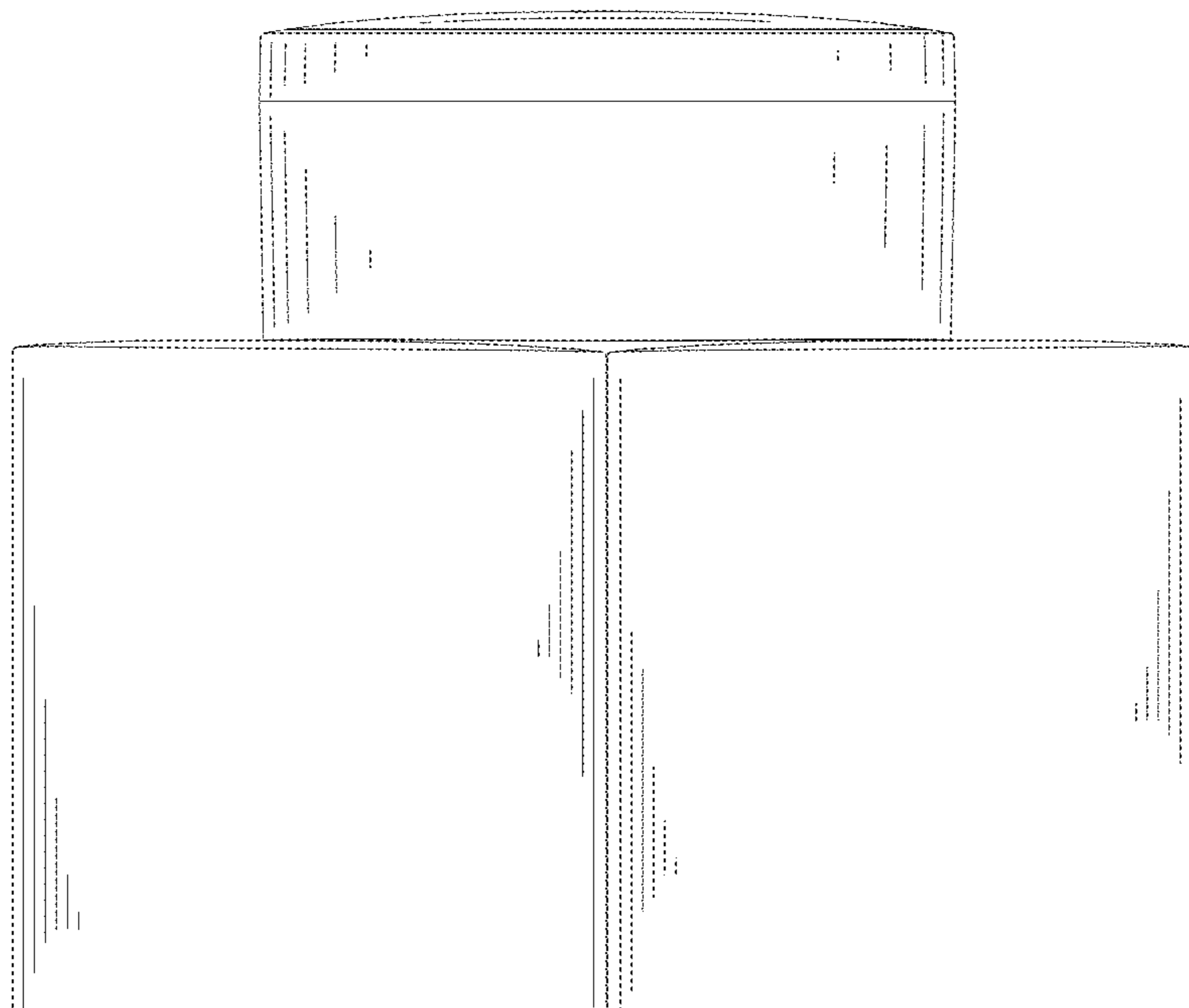


FIG. 7