



US00D810679S

(12) **United States Design Patent** (10) **Patent No.:** **US D810,679 S**
Patton (45) **Date of Patent:** **** *Feb. 20, 2018**

(54) **ELECTRIC LIGHTING DEVICE CHARGING STATION**

(71) Applicant: **Luminara Worldwide, LLC**, Eden Prairie, MN (US)

(72) Inventor: **Douglas Patton**, Irvine, CA (US)

(73) Assignee: **Luminara Worldwide, LLC**, Eden Prairie, MN (US)

(*) Notice: This patent is subject to a terminal disclaimer.

(**) Term: **15 Years**

(21) Appl. No.: **29/539,696**

(22) Filed: **Sep. 16, 2015**

(51) **LOC (11) Cl.** **13-02**

(52) **U.S. Cl.**
USPC **D13/108**

(58) **Field of Classification Search**
USPC D13/102-110, 118, 119, 184, 199;
D14/251, 253, 432, 434

(Continued)

(56) **References Cited**

U.S. PATENT DOCUMENTS

D381,515 S * 7/1997 Haynes D24/224
D456,918 S * 5/2002 Elkins, Jr. D26/13

(Continued)

FOREIGN PATENT DOCUMENTS

CN 201032068 3/2008
CN 202024234 11/2011

(Continued)

Primary Examiner — Rosemary K Tarca

Assistant Examiner — Alison Ofstun

(74) *Attorney, Agent, or Firm* — Umberg Zipser LLP

(57) **CLAIM**

The ornamental design for an electric lighting device charging station, as shown and described.

DESCRIPTION

FIG. 1 is a perspective view of a first embodiment of an electric lighting device charging station, showing my new design;

FIG. 2 is a front view thereof;

FIG. 3 is a rear view thereof;

FIG. 4 is a right side view thereof;

FIG. 5 is a left side view thereof;

FIG. 6 is a top view thereof;

FIG. 7 is a bottom view thereof;

FIG. 8 is a perspective view of a second embodiment of an electric lighting device charging station;

FIG. 9 is a front view thereof;

FIG. 10 is a rear view thereof;

FIG. 11 is a right side view thereof;

FIG. 12 is a left side view thereof;

FIG. 13 is a top view thereof;

FIG. 14 is a bottom view thereof;

FIG. 15 is a perspective view of a third embodiment of an electric lighting device charging station;

FIG. 16 is a front view thereof;

FIG. 17 is a rear view thereof;

FIG. 18 is a right side view thereof;

FIG. 19 is a left side view thereof;

FIG. 20 is a top view thereof;

FIG. 21 is a bottom view thereof;

FIG. 22 is a perspective view of a fourth embodiment of an electric lighting device charging station;

FIG. 23 is a front view thereof;

FIG. 24 is a rear view thereof;

FIG. 25 is a right side view thereof;

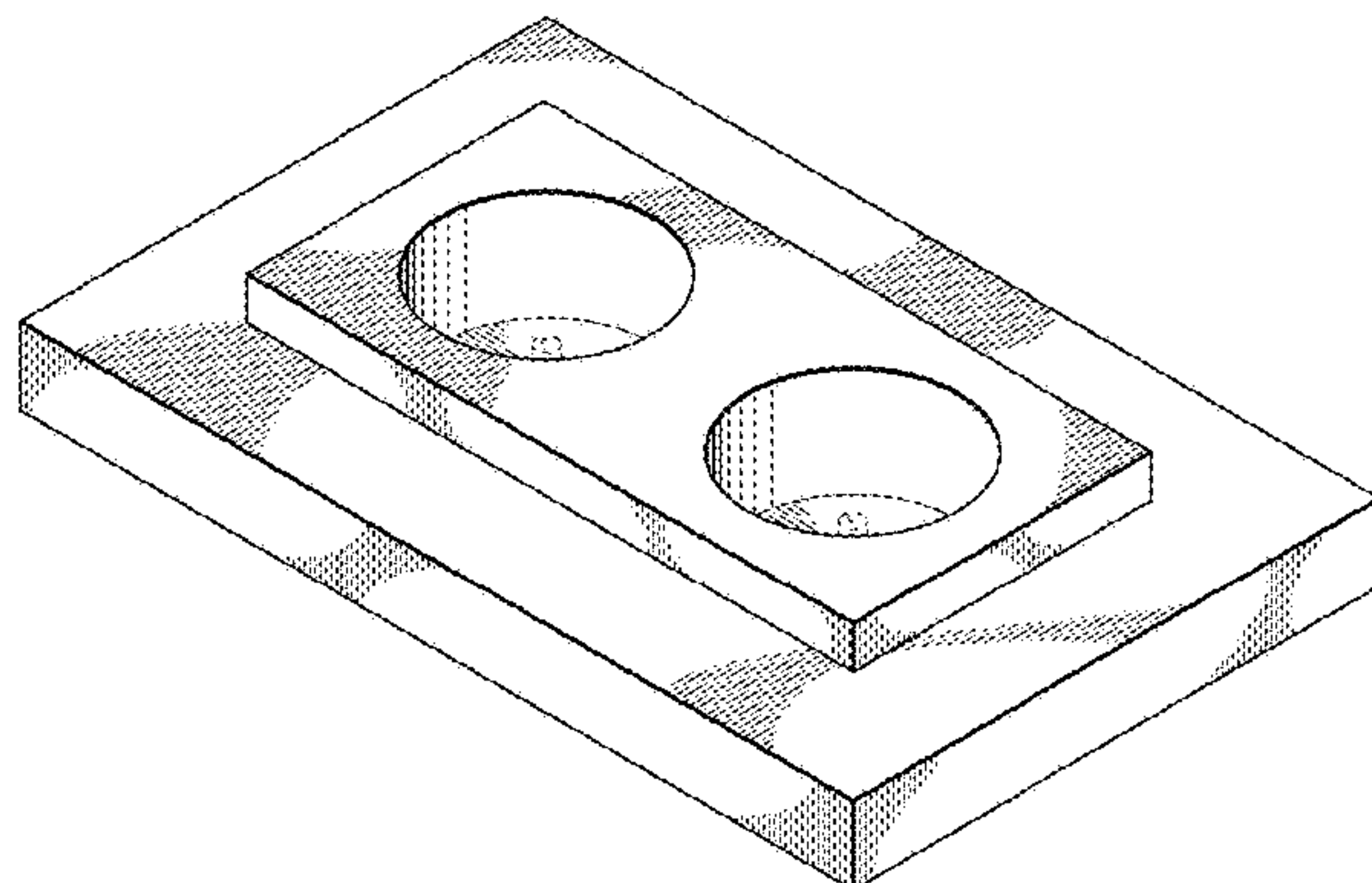
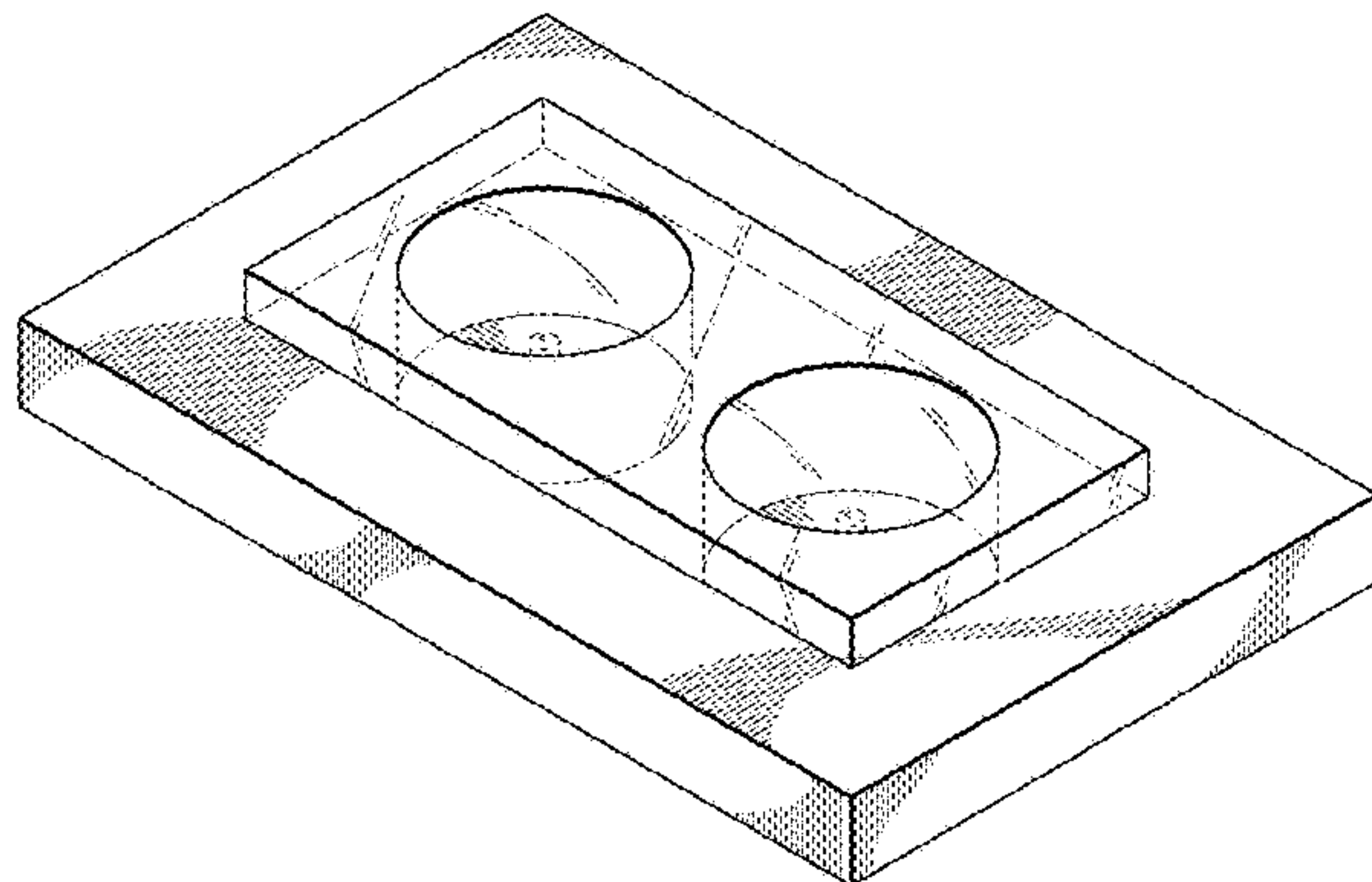
FIG. 26 is a left side view thereof;

FIG. 27 is a top view thereof; and,

FIG. 28 is a bottom view thereof.

The dominant feature of my design is the entire ornamental feature of an electric lighting device charging station. The

(Continued)



broken line showing of the lines on the housing is included for the purpose of illustrating environment and forms no part of the claimed design(s).

1 Claim, 10 Drawing Sheets

(58) **Field of Classification Search**

CPC Y02E 60/10; Y02E 60/12; Y02E 60/122;
 Y02E 60/124; Y02E 60/50; H01M 2/022;
 H01M 2/0202; H01M 2/0207; H01M
 2/0212; H01M 2/1061; H01M 2/1022;
 H01M 2/1055; H01M 2/1066; H01M
 2/105; H01M 2/20; H01M 2/202; H01M
 2/204; H01M 2/206; H01M 10/44; H01M
 10/46; H01M 10/465; H01M 10/482;
 H01M 2200/30; H01M 2250/30; H01M
 2250/40; H02J 7/00; H02J 7/0003; H02J
 7/0011; H02J 7/0013; H02J 7/0054; H02J
 7/0055; H02J 7/0057; H02J 2007/0062

See application file for complete search history.

(56) **References Cited**

U.S. PATENT DOCUMENTS

D486,787 S 2/2004 Krieger et al.
 D565,753 S * 4/2008 Uemoto D26/1
 D567,993 S 4/2008 Shiu
 D578,246 S * 10/2008 Levine F21V 33/0012
 D26/113
 D578,703 S * 10/2008 Levine D26/113
 D589,787 S * 4/2009 Ruybal D99/34
 D595,887 S * 7/2009 Blom D26/51
 D613,445 S * 4/2010 Beghelli D26/74
 D615,236 S * 5/2010 Beghelli D26/74

RE41,628 E 9/2010 Barbeau et al.
 D654,607 S * 2/2012 Kim D26/63
 D655,447 S * 3/2012 Sabernig D26/113
 D657,487 S * 4/2012 Sabernig D26/84
 8,210,708 B2 7/2012 Hau et al.
 D681,261 S * 4/2013 Miyatake D26/120
 8,454,190 B2 6/2013 Hau et al.
 8,579,461 B2 11/2013 Fournier et al.
 D699,880 S * 2/2014 Szoke D26/74
 8,878,485 B2 11/2014 Fournier et al.
 D723,023 S * 2/2015 Miles D14/253
 D756,548 S * 5/2016 Wang D26/24
 D774,451 S * 12/2016 Castillo-Aguilella D13/102
 2001/0055207 A1 12/2001 Barbeau et al.
 2003/0146735 A1 8/2003 Barbeau et al.
 2004/0037069 A1 2/2004 Blackburn
 2006/0092637 A1 * 5/2006 Yeh F21K 9/00
 362/249.01
 2006/0172239 A1 * 8/2006 Tsai F21S 19/00
 431/253
 2006/0262525 A1 11/2006 Barbeau et al.
 2008/0002413 A1 * 1/2008 Wang F21V 14/02
 362/341
 2010/0124050 A1 5/2010 Hau et al.
 2011/0317403 A1 12/2011 Fournier et al.
 2012/0287612 A1 11/2012 Hau et al.
 2013/0265748 A1 10/2013 Hau et al.
 2014/0042962 A1 2/2014 Thompson
 2014/0313705 A1 10/2014 Fournier et al.
 2015/0256009 A1 9/2015 Fournier et al.
 2015/0359060 A1 * 12/2015 Dack H05B 33/0842
 307/22

FOREIGN PATENT DOCUMENTS

CN 202195404 4/2012
 CN 202947060 5/2013

* cited by examiner

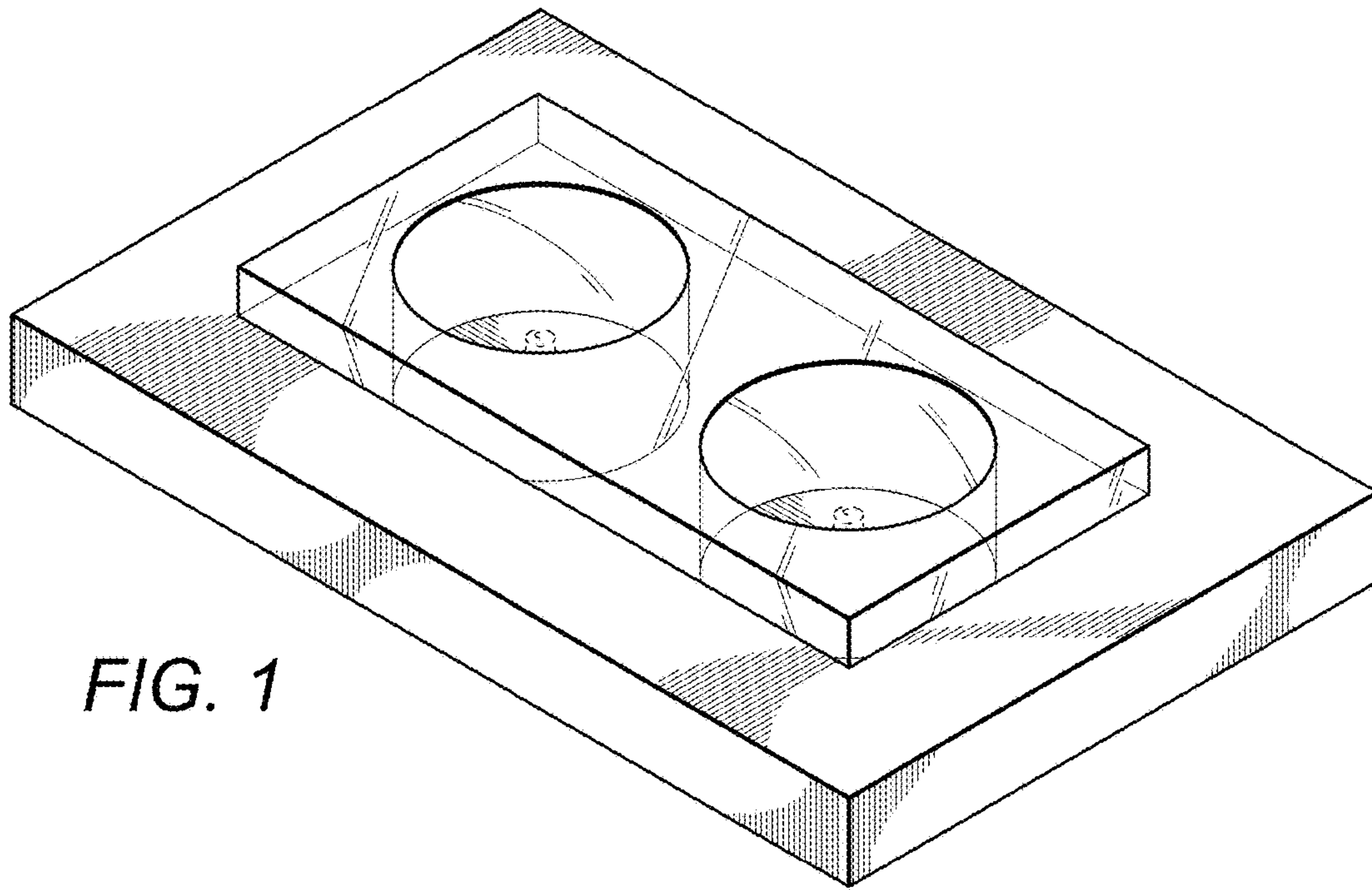


FIG. 1

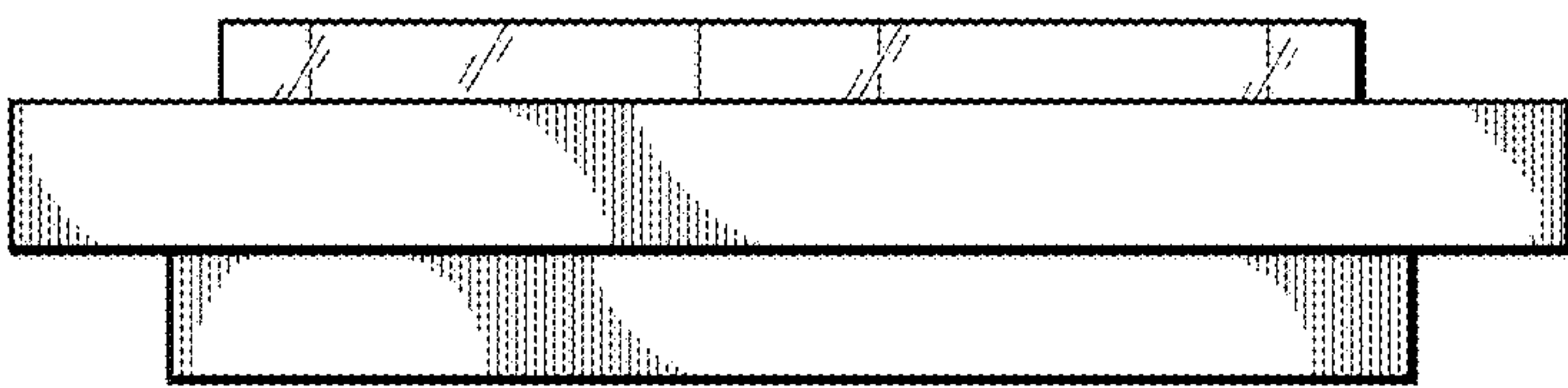


FIG. 2

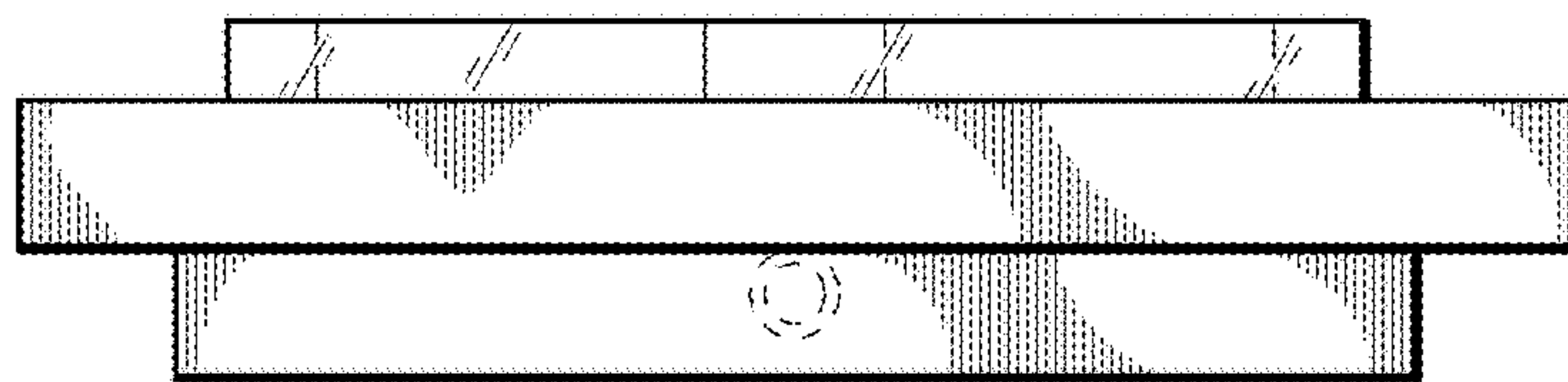


FIG. 3

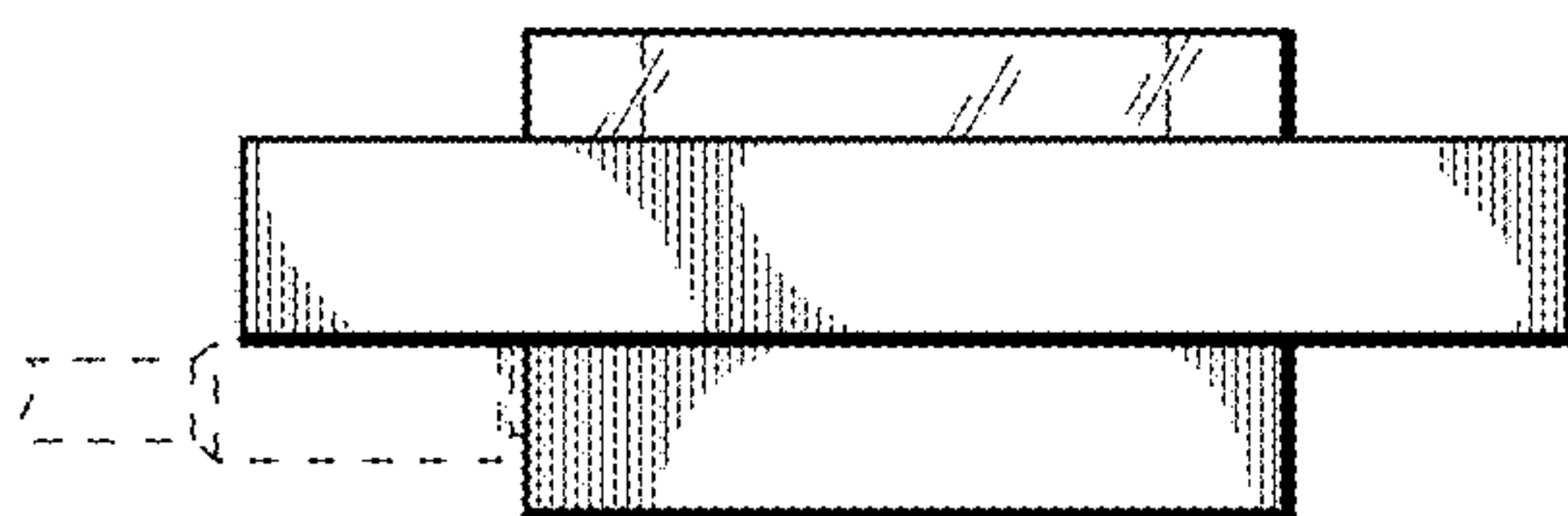


FIG. 4

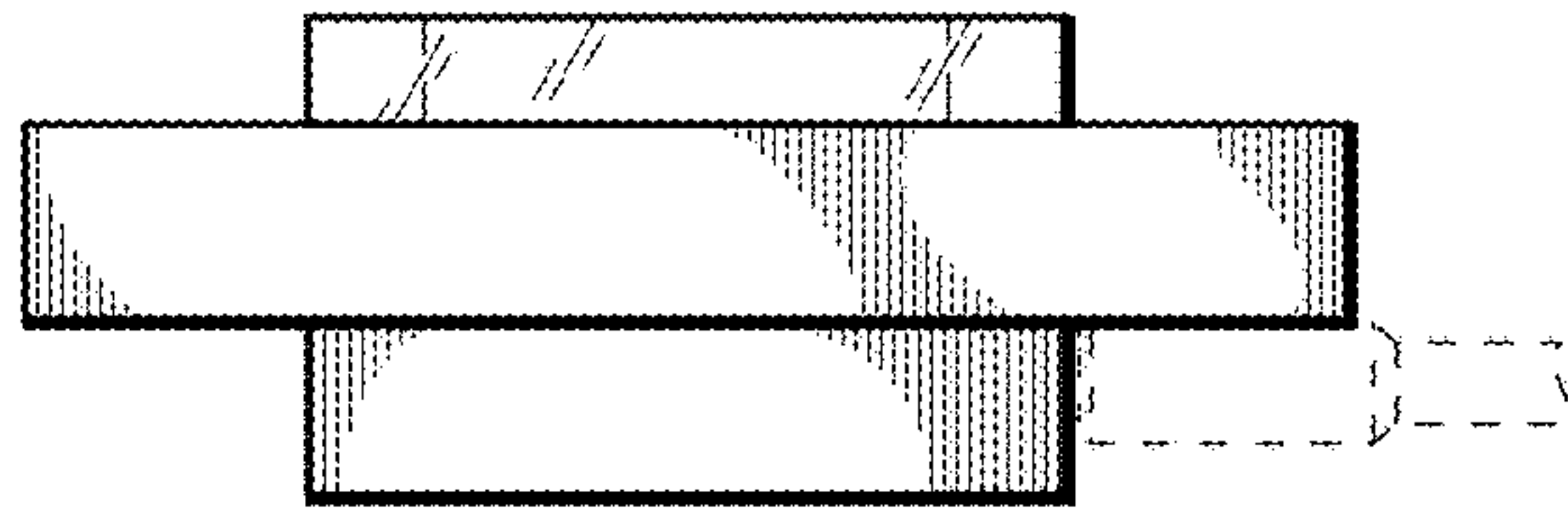


FIG. 5

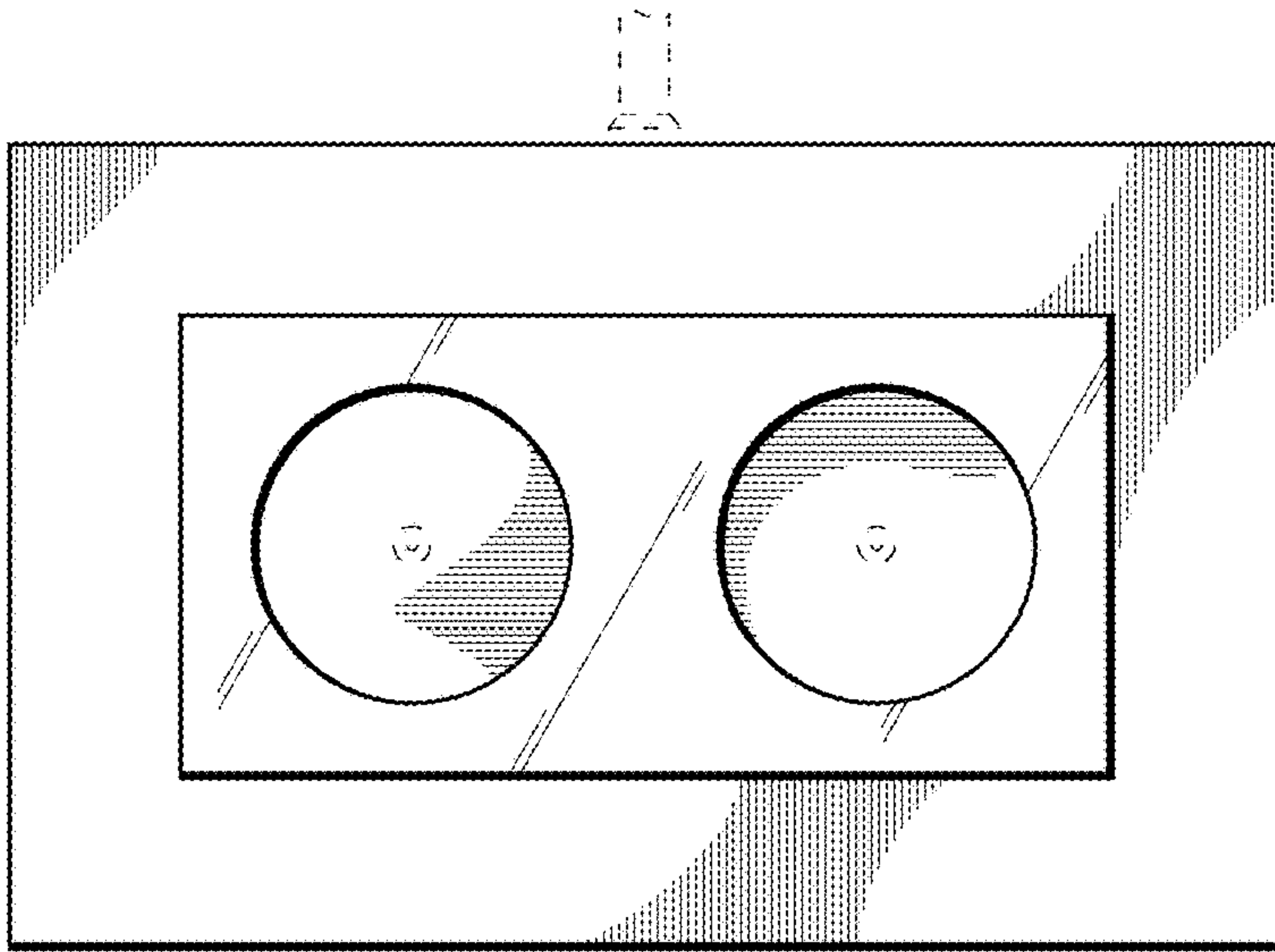
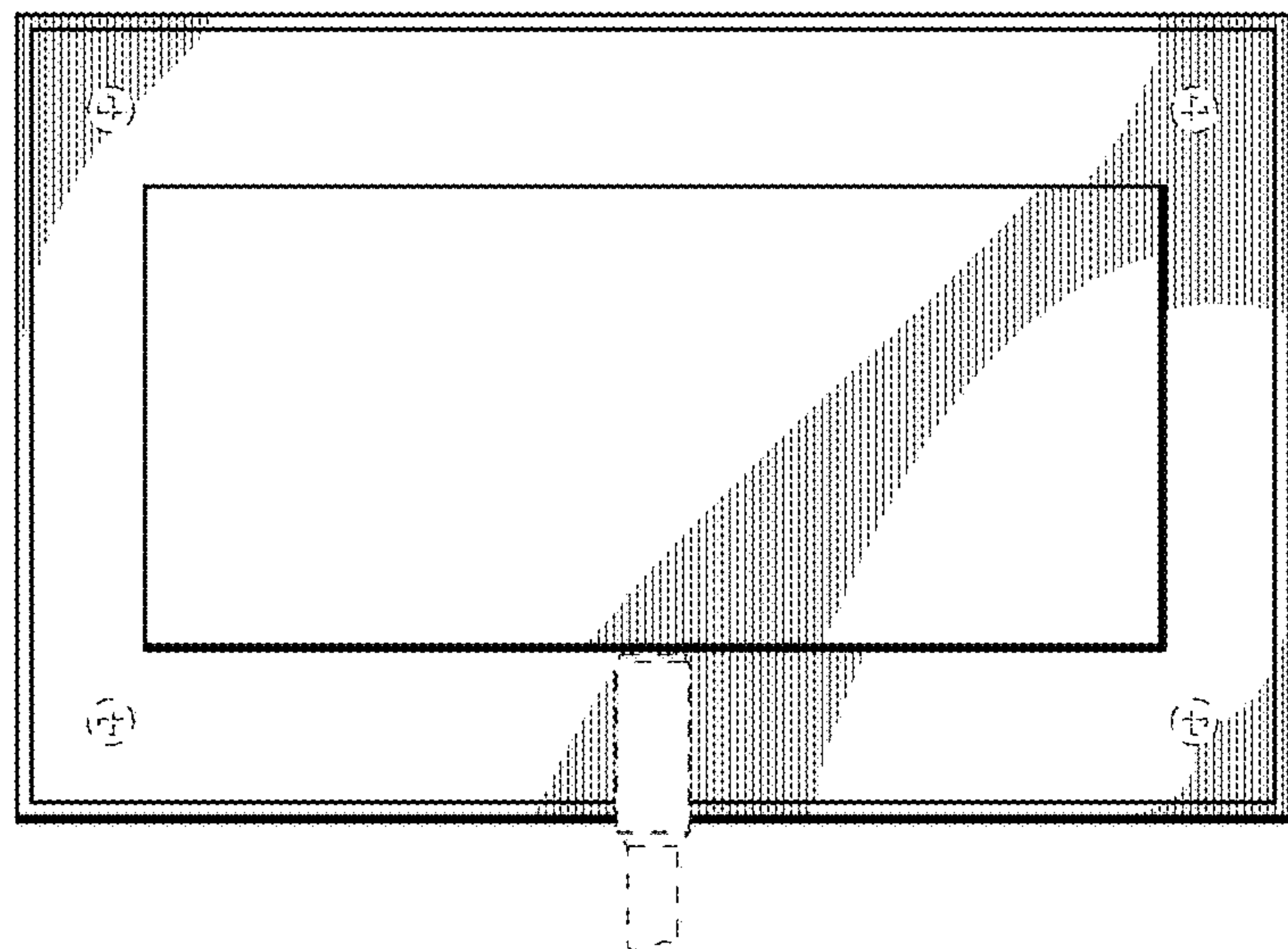


FIG. 6

FIG. 7



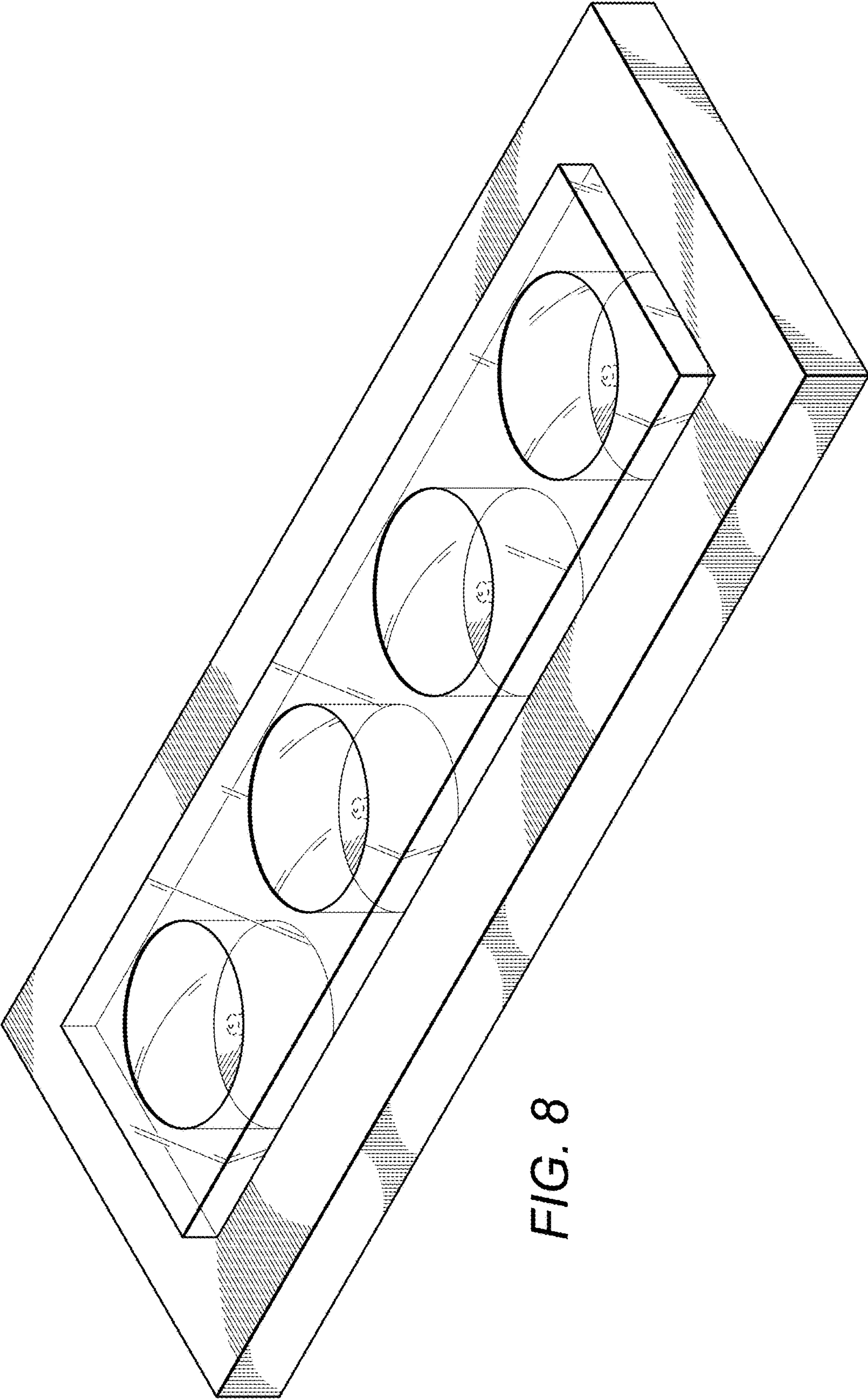


FIG. 8

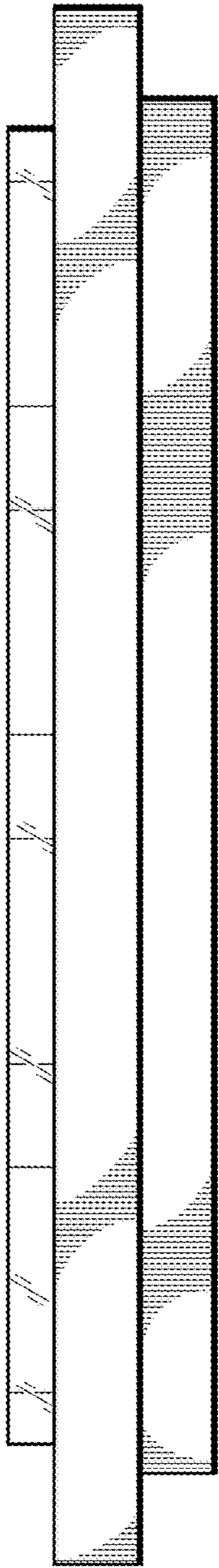


FIG. 9

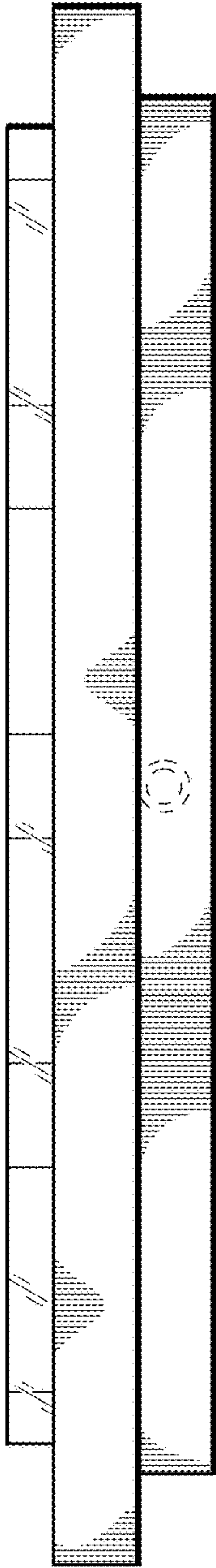


FIG. 10

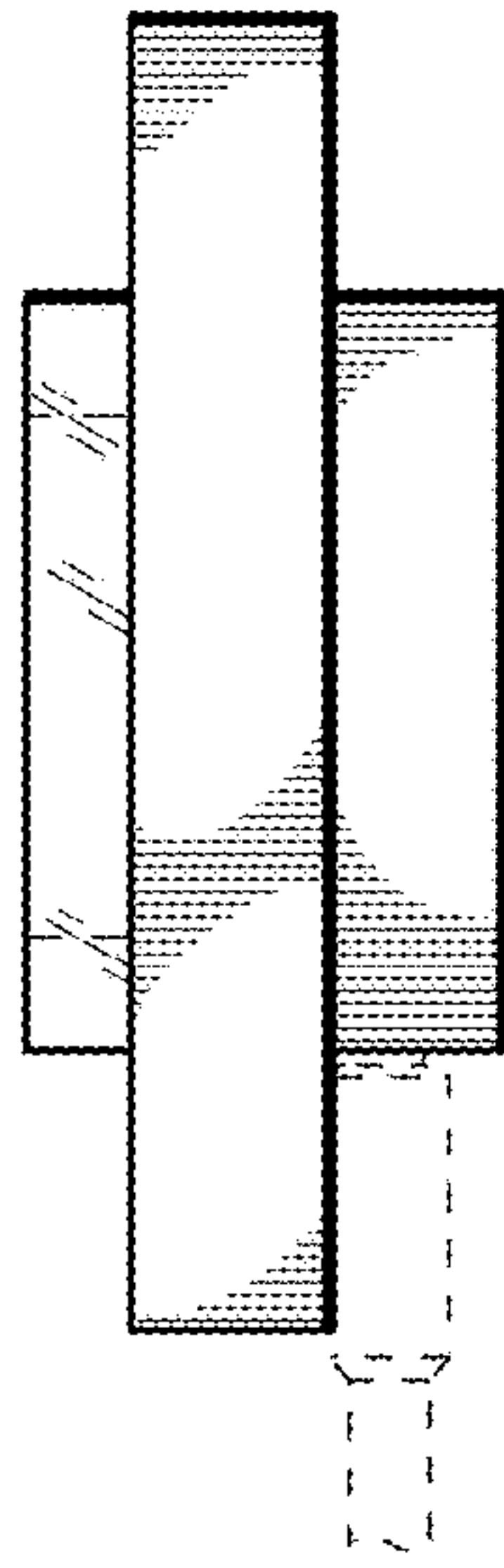


FIG. 11

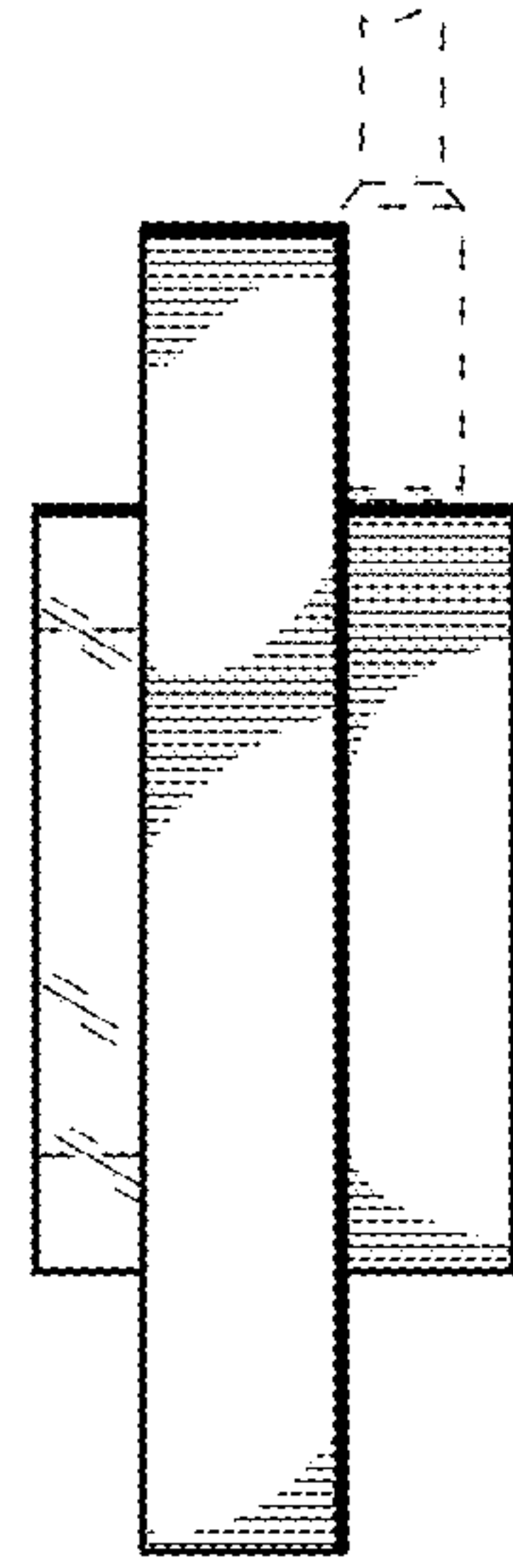


FIG. 12

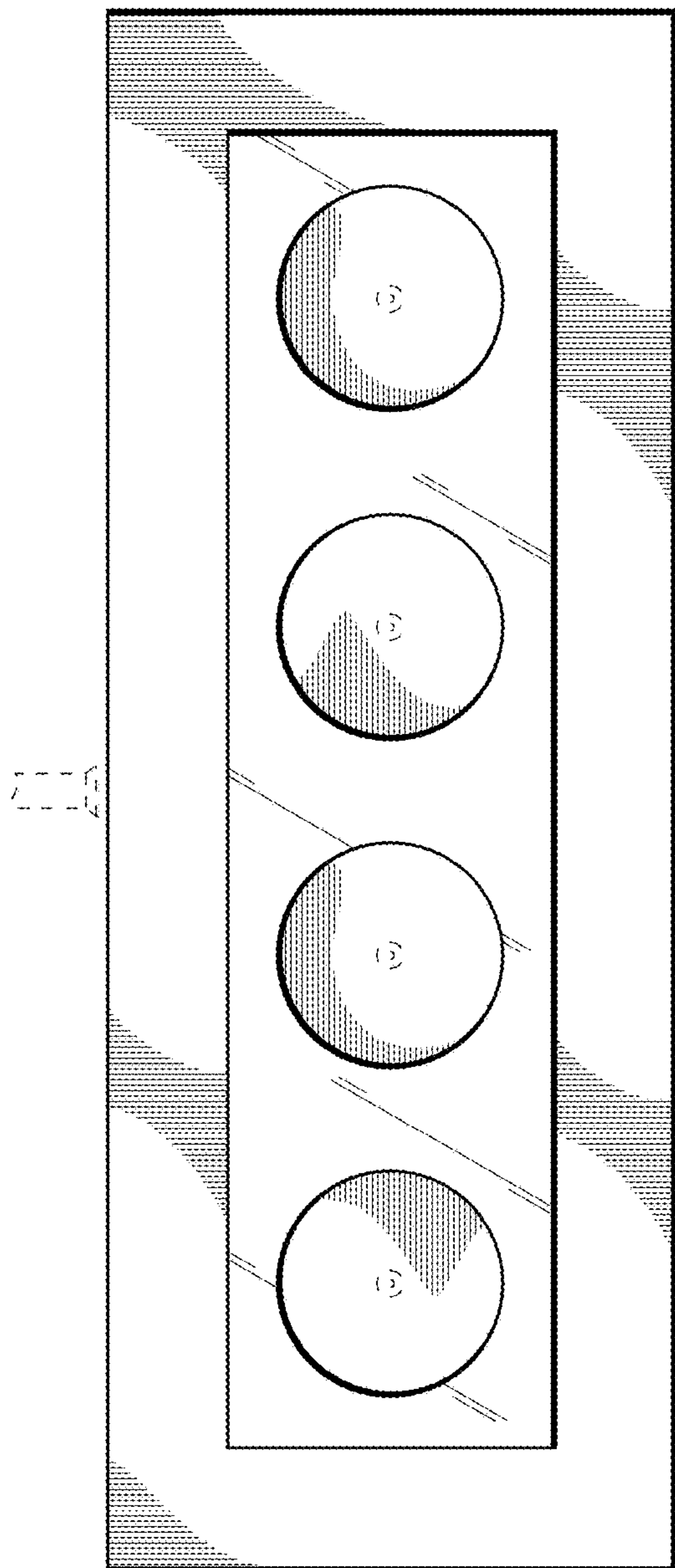


FIG. 13

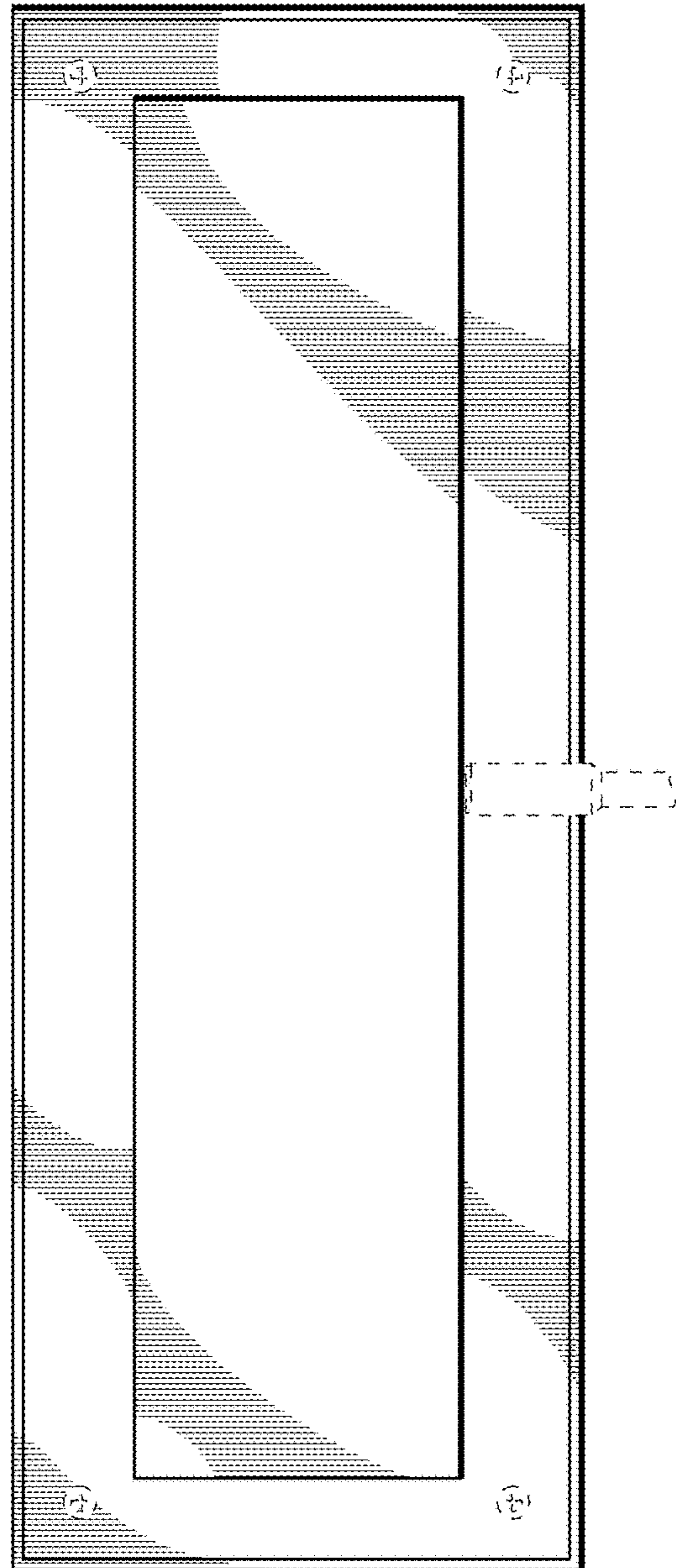


FIG. 14

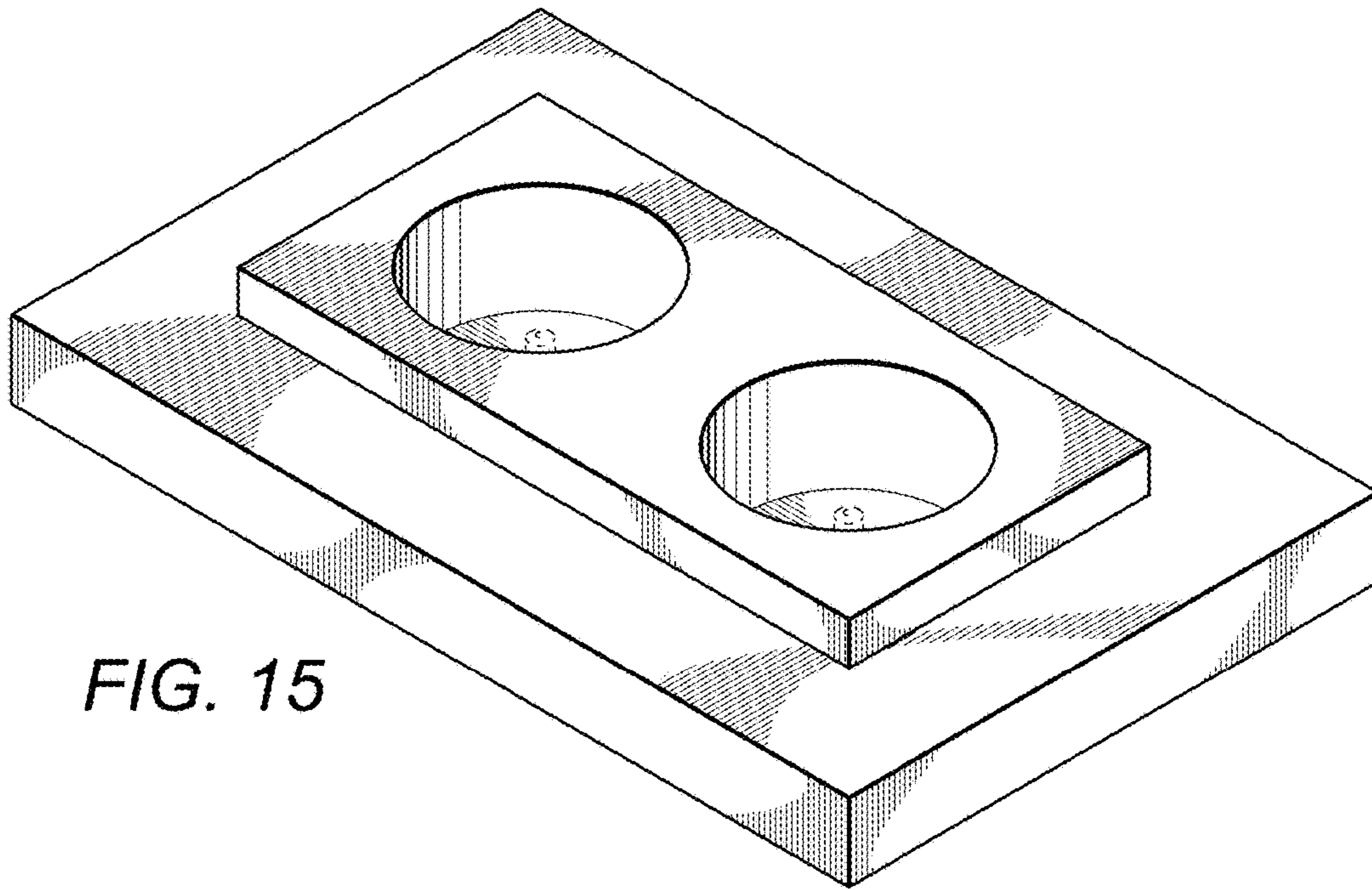


FIG. 15

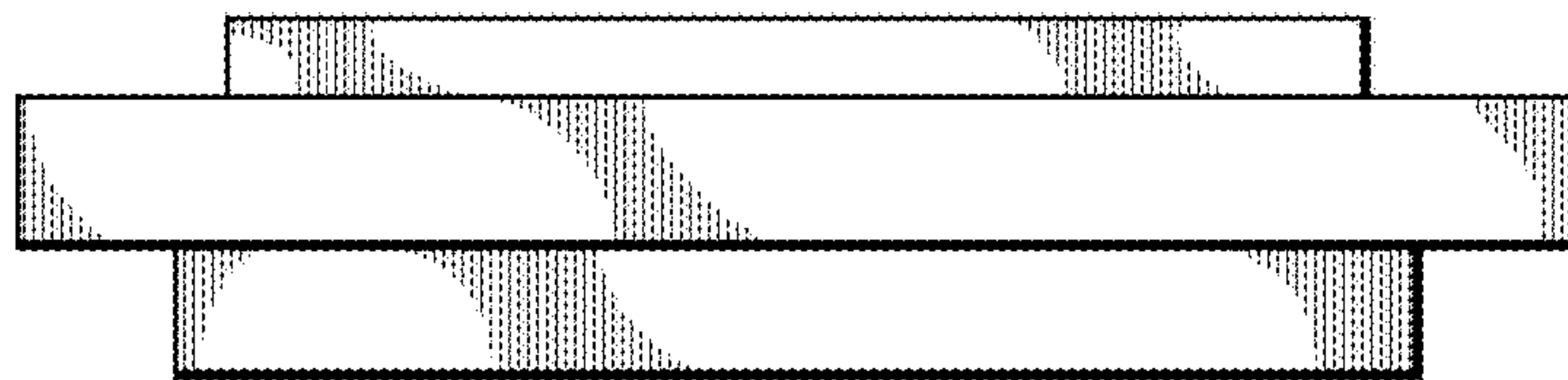


FIG. 16

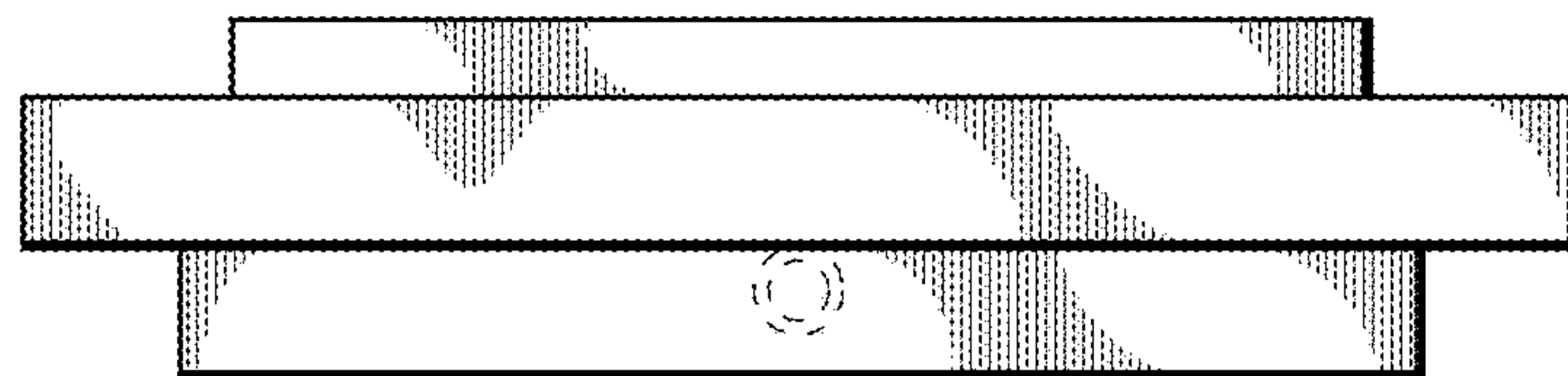


FIG. 17

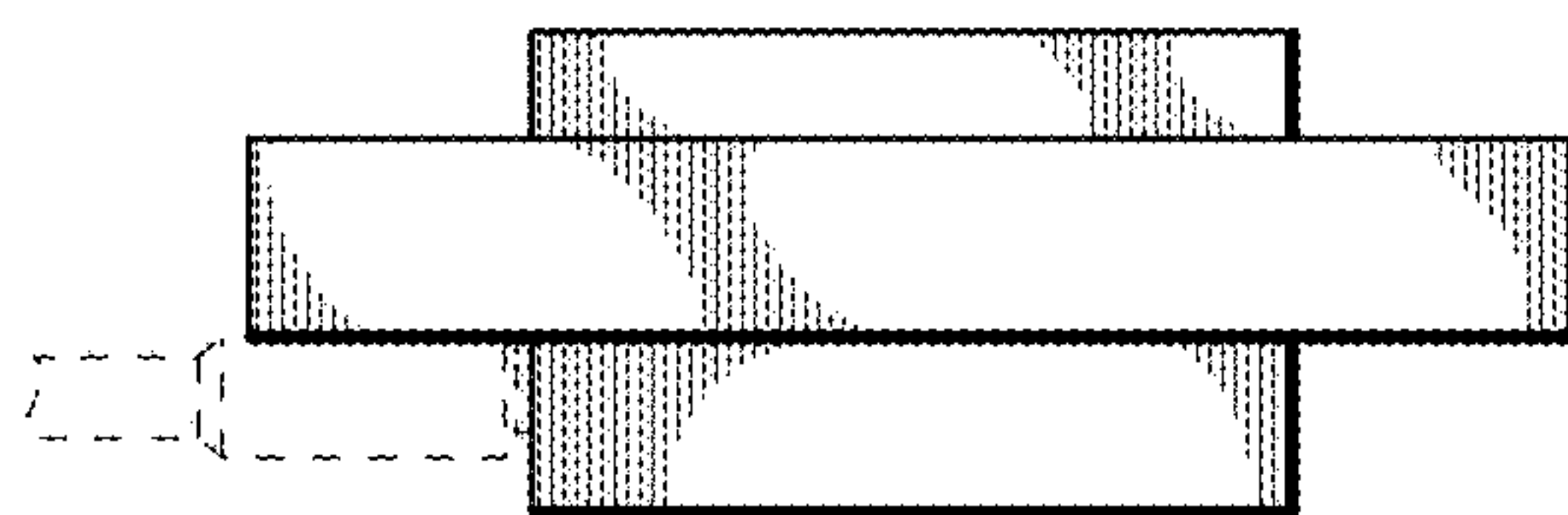


FIG. 18

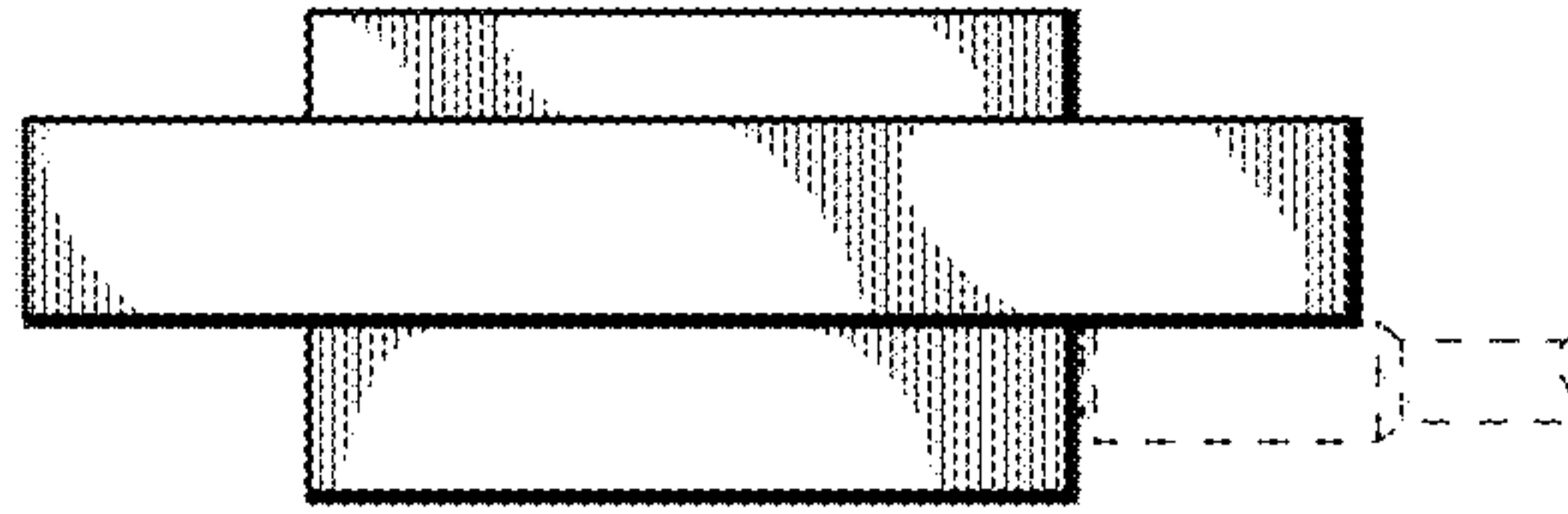


FIG. 19

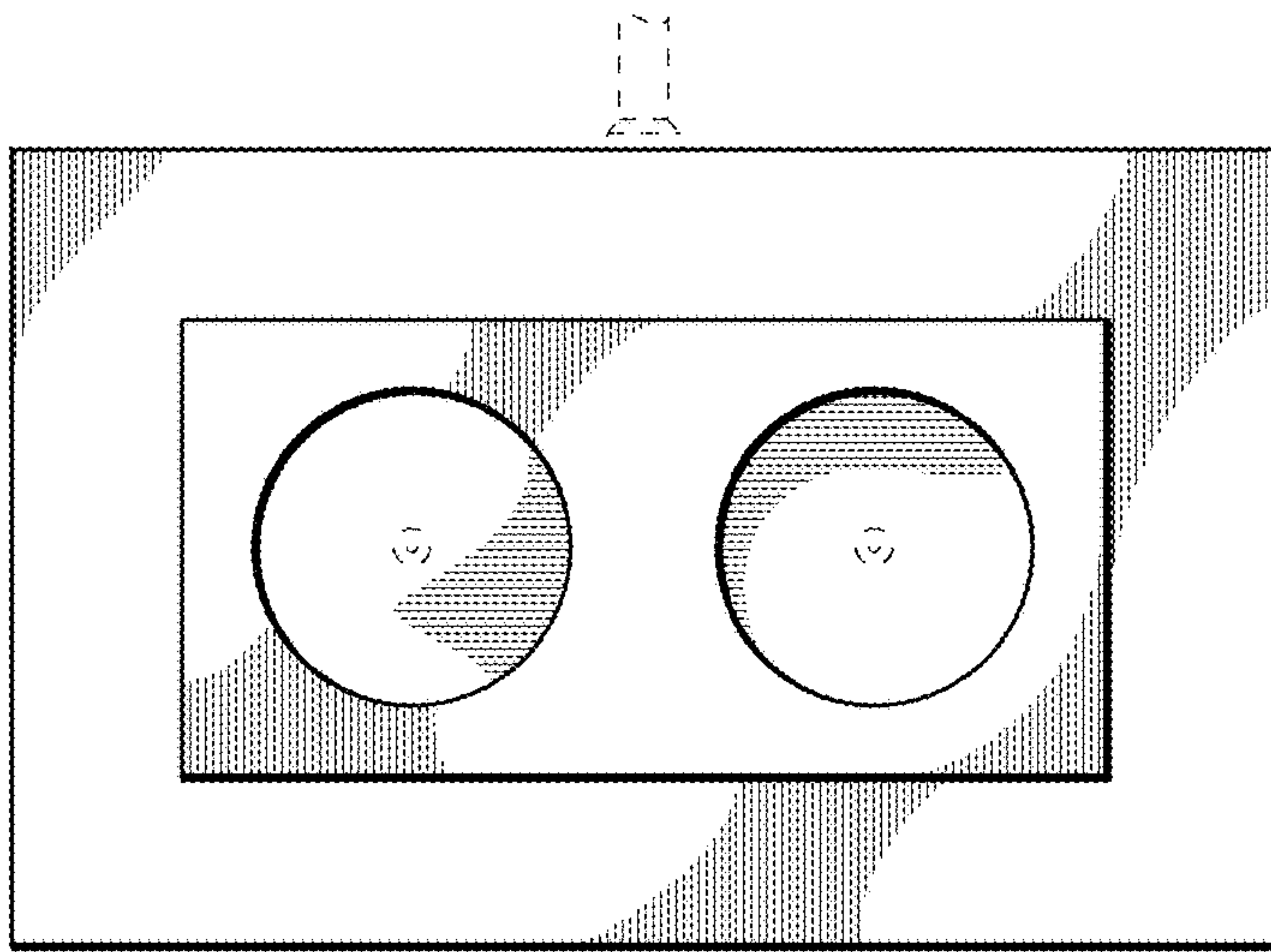


FIG. 20

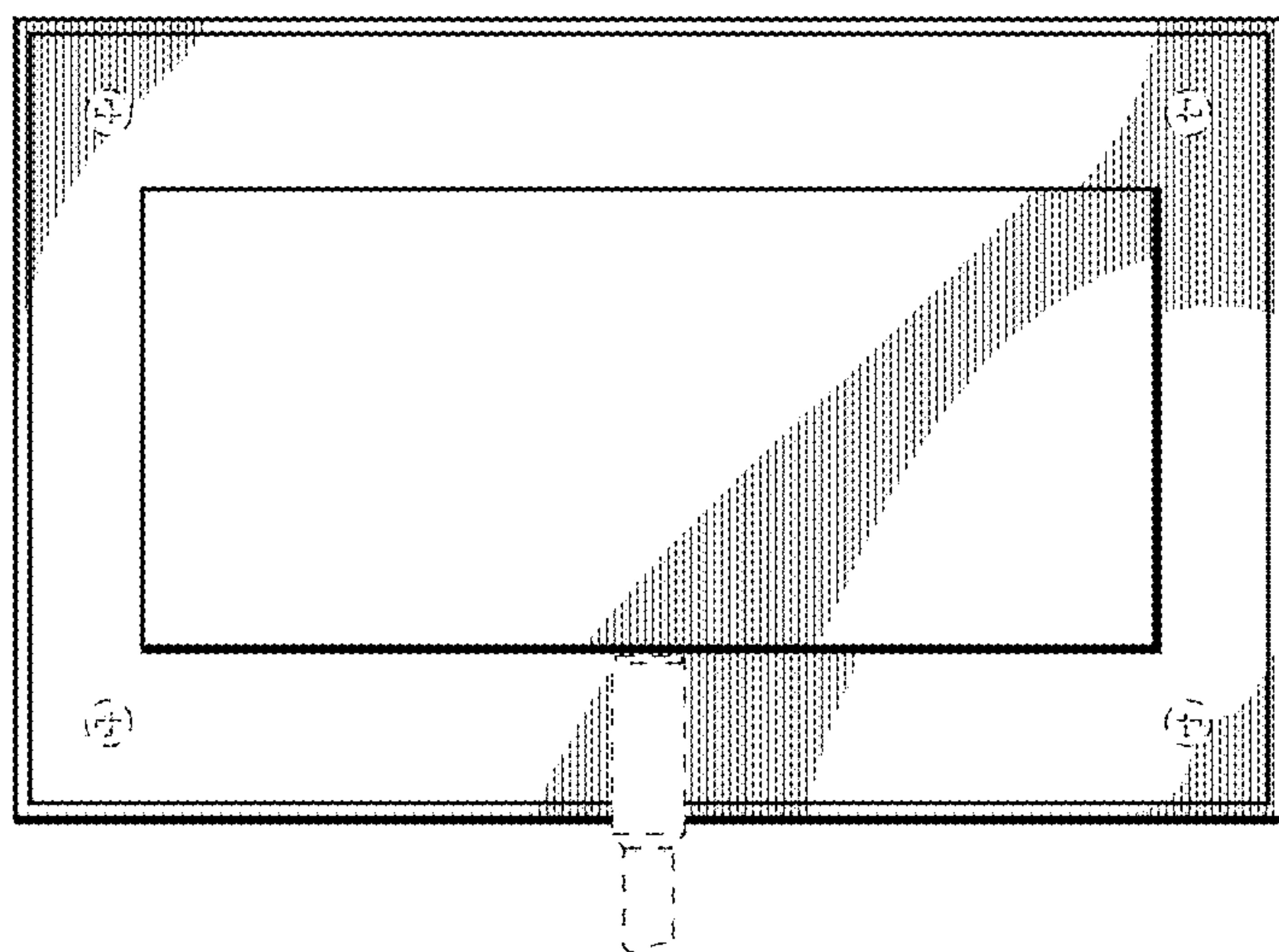


FIG. 21

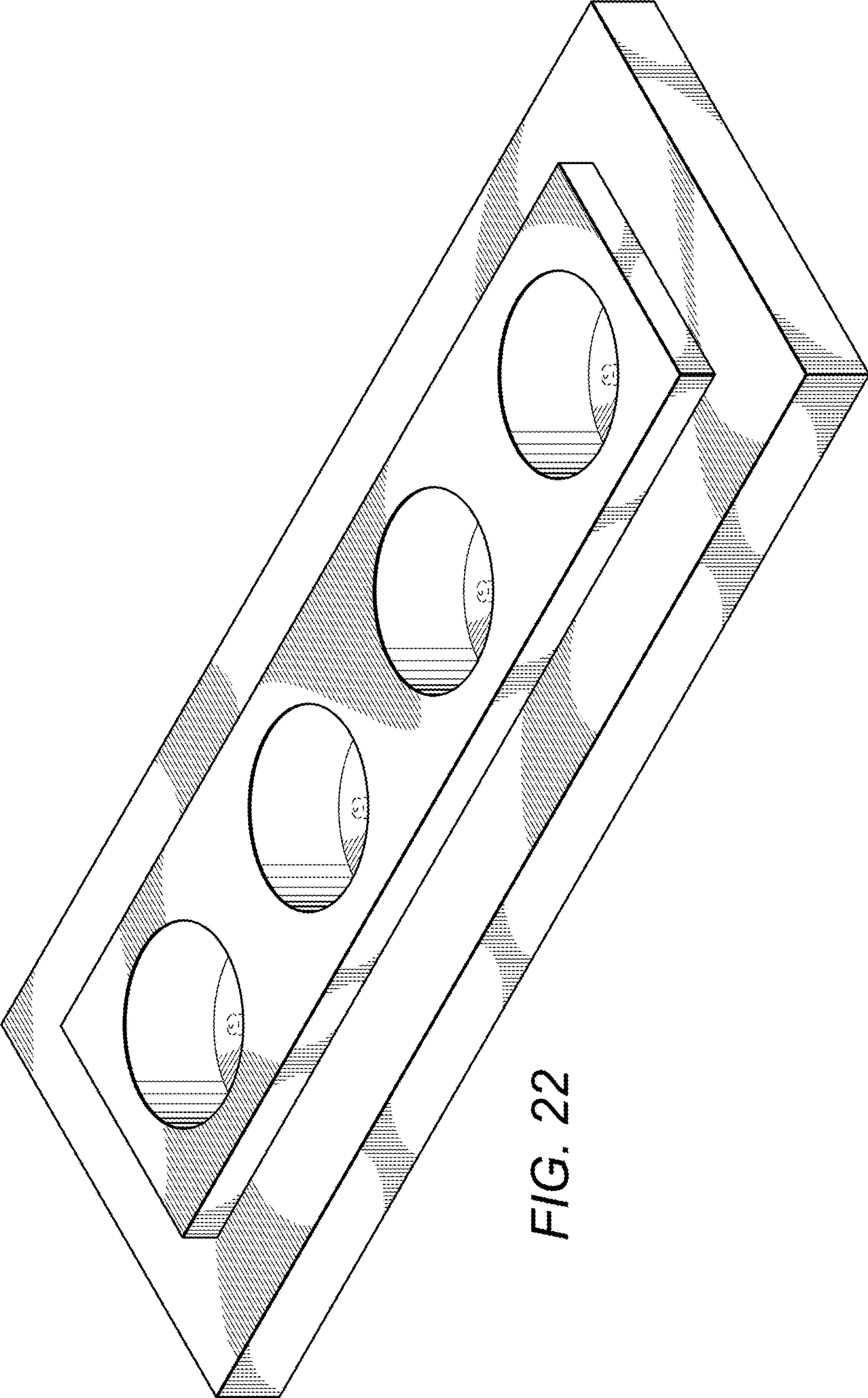


FIG. 22

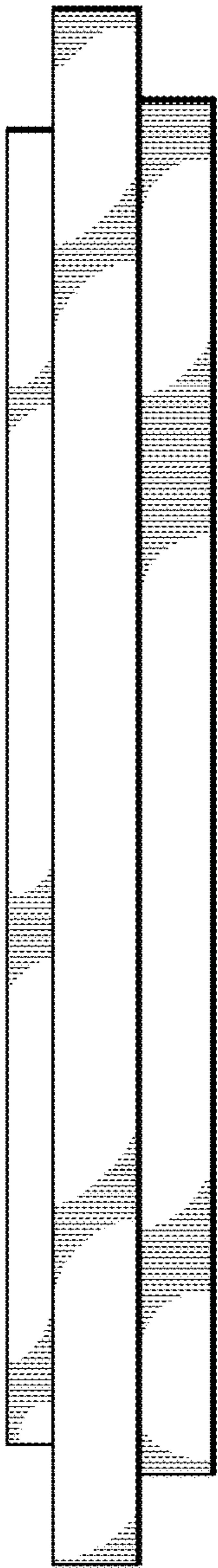


FIG. 23

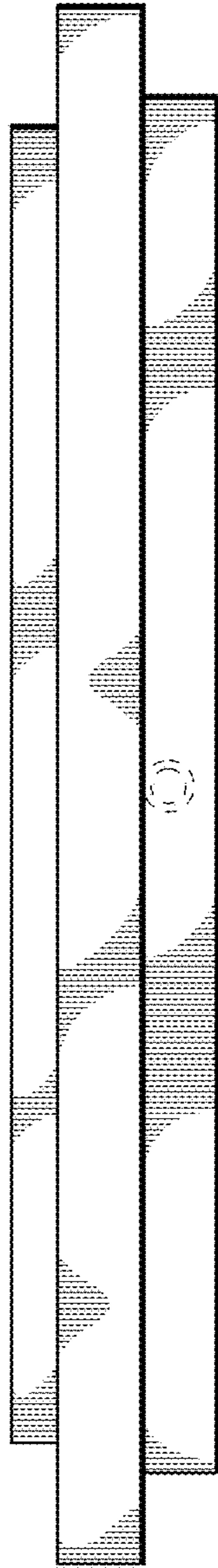


FIG. 24

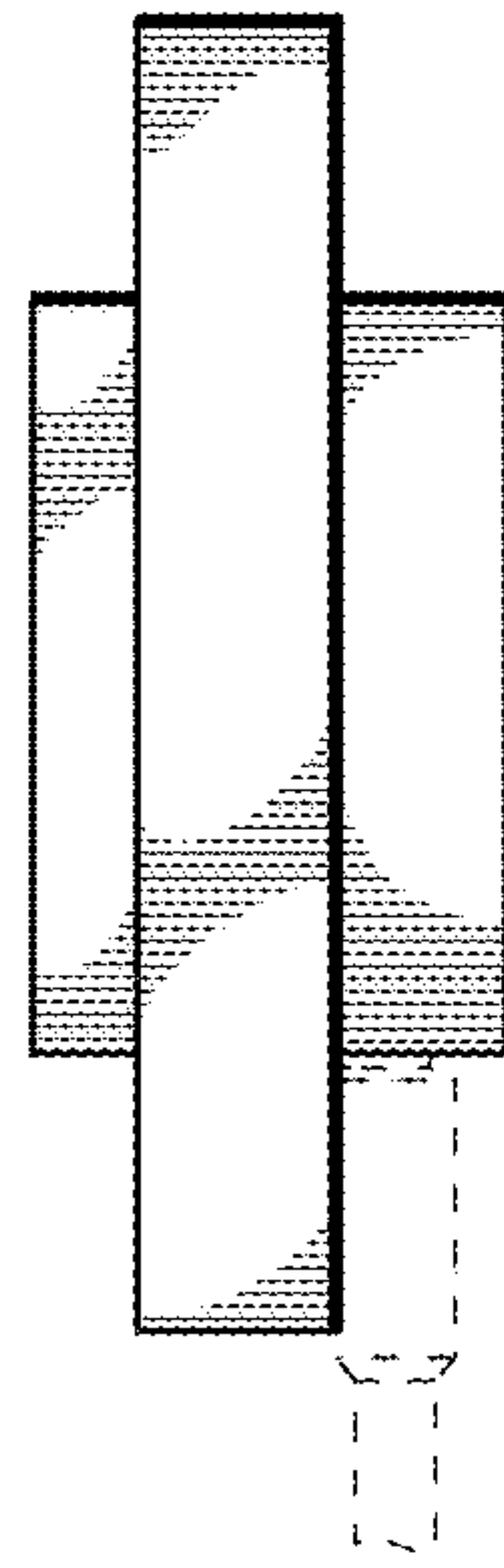


FIG. 25

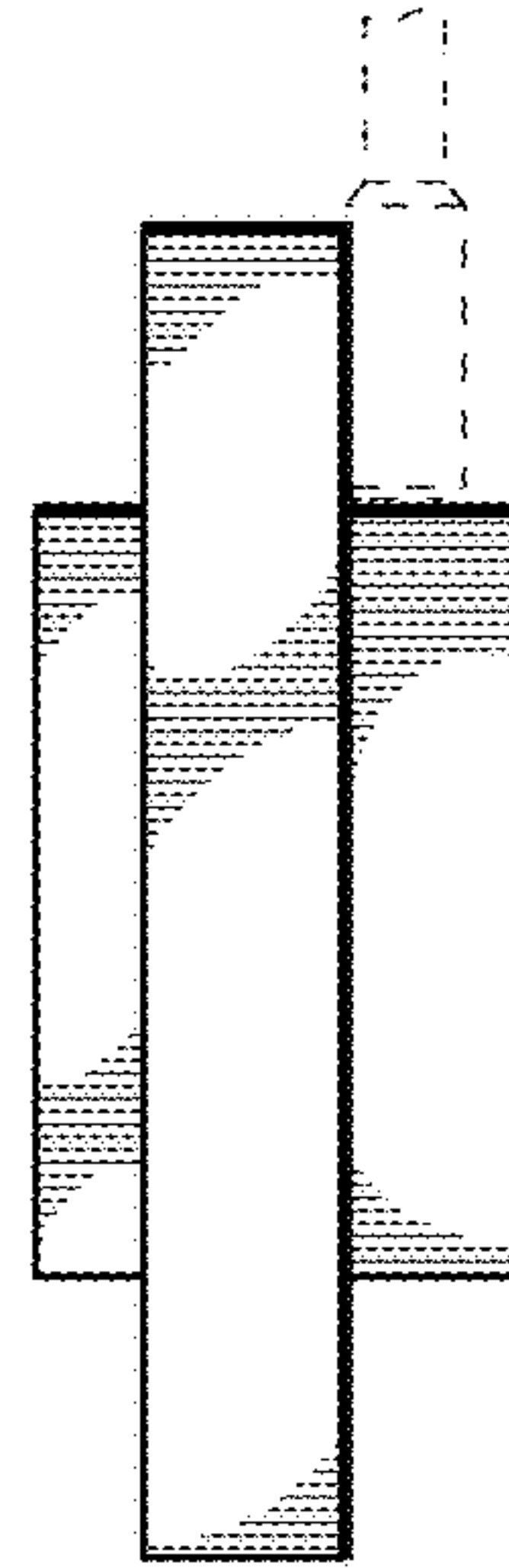


FIG. 26

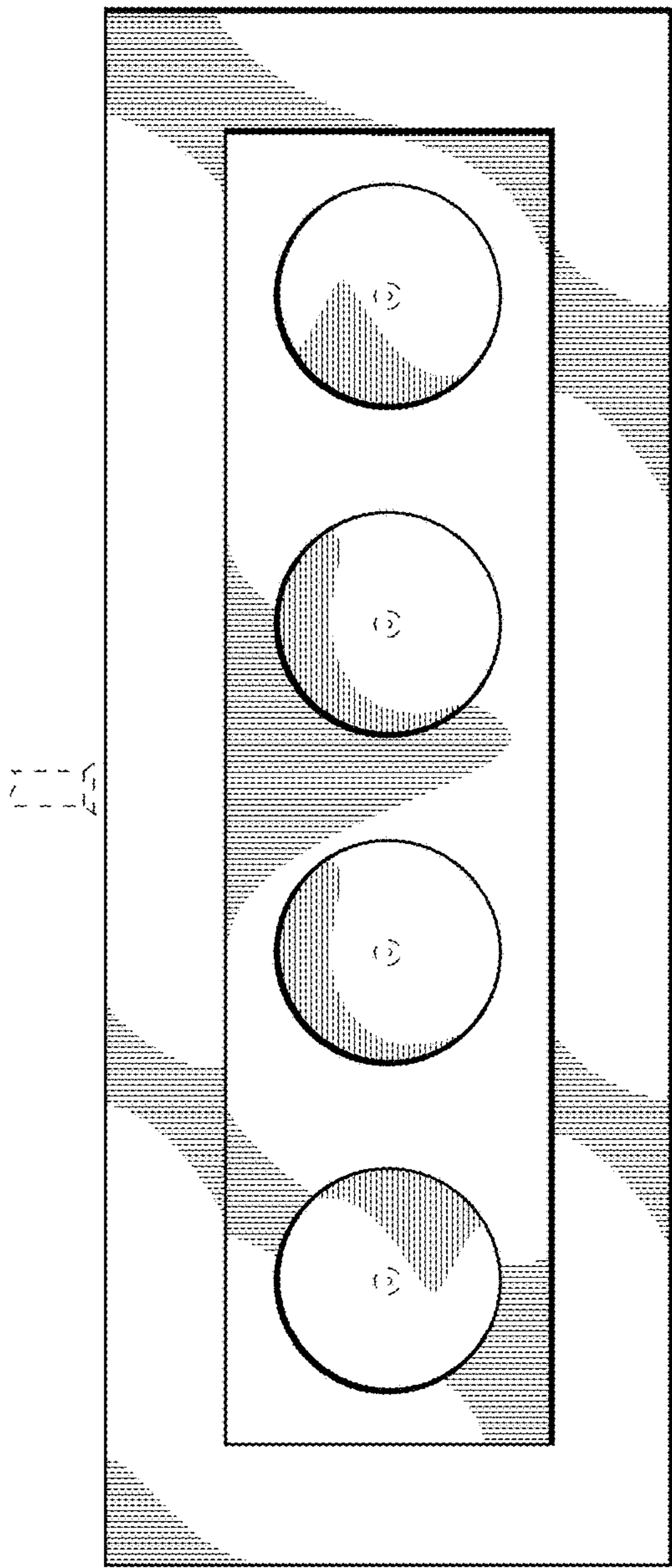


FIG. 27

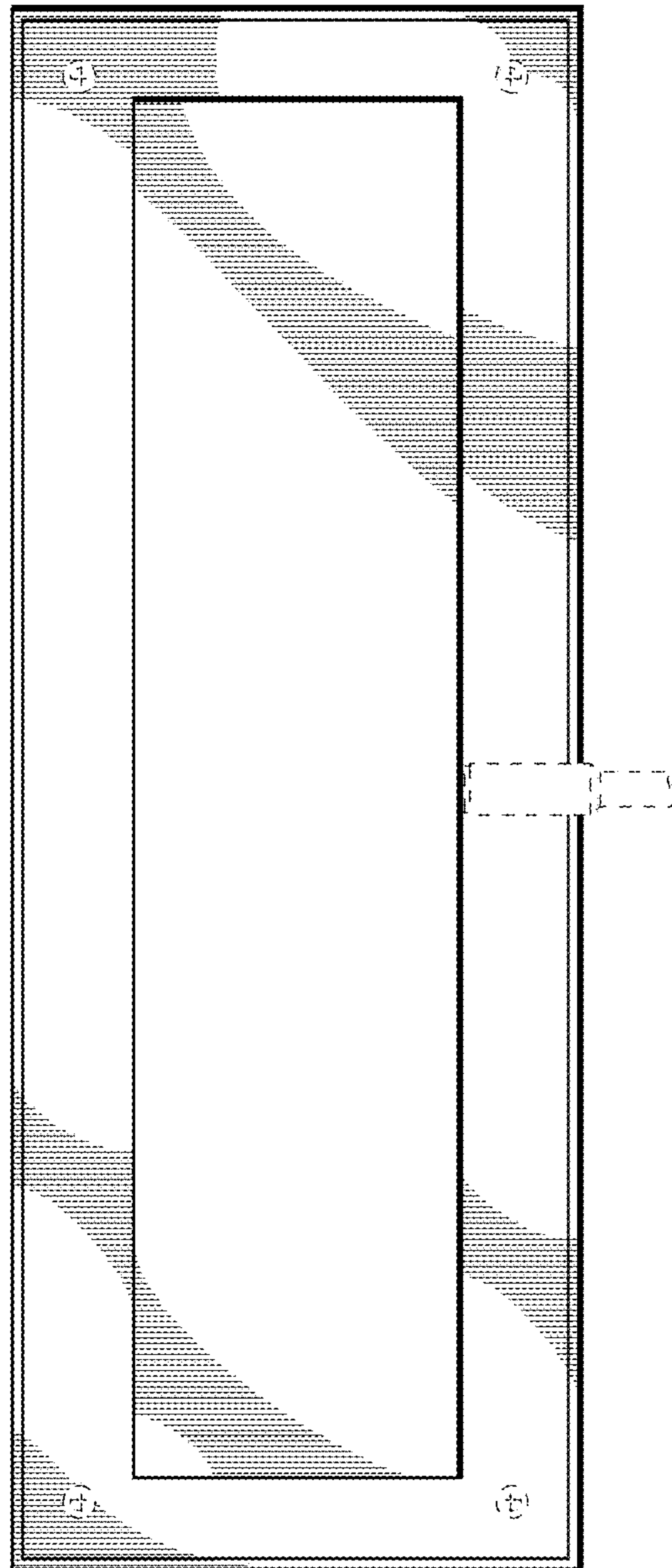


FIG. 28