



US00D810678S

(12) **United States Design Patent** (10) **Patent No.:** **US D810,678 S**
Choi et al. (45) **Date of Patent:** **** Feb. 20, 2018**

(54) **CHARGER**

H01M 10/44; H01M 10/46; H01M 10/425; B60L 11/182

See application file for complete search history.

(71) Applicant: **Samsung Electronics Co., Ltd.**,
Suwon-si (KR)

(56) **References Cited**

U.S. PATENT DOCUMENTS

(72) Inventors: **Sangwook Choi**, Yongin-si (KR);
Kyungho Kim, Yongin-si (KR);
Sungyub Kim, Seoul (KR); **Haneol Park**, Seoul (KR); **Jeongin Lee**,
Yongin-si (KR); **Jae-Young Chang**,
Seoul (KR)

D327,868 S * 7/1992 Oka D13/110
D335,861 S * 5/1993 Tattari D13/108
D385,283 S * 10/1997 Snyder D13/108

(Continued)

FOREIGN PATENT DOCUMENTS

(73) Assignee: **SAMSUNG ELECTRONICS CO., LTD.**, Suwon-si (KR)

CN 302219972 S 12/2012
EM 000591839-0002 10/2006

(Continued)

OTHER PUBLICATIONS

(**) Term: **15 Years**

<http://www.ipadmarket.co.kr/shop/shopdetail.html?branduid=773749> (Last accessed Oct. 6, 2015).

(21) Appl. No.: **29/537,586**

(22) Filed: **Aug. 27, 2015**

Primary Examiner — Rosemary K Tarca
Assistant Examiner — Nathaniel D. Buckner
(74) *Attorney, Agent, or Firm* — McAndrews Held & Malloy, Ltd.

(30) **Foreign Application Priority Data**

Feb. 27, 2015 (KR) 30-2015-0010112

(57) **CLAIM**

The ornamental design for a charger, as shown and described.

(51) **LOC (11) Cl.** **13-02**

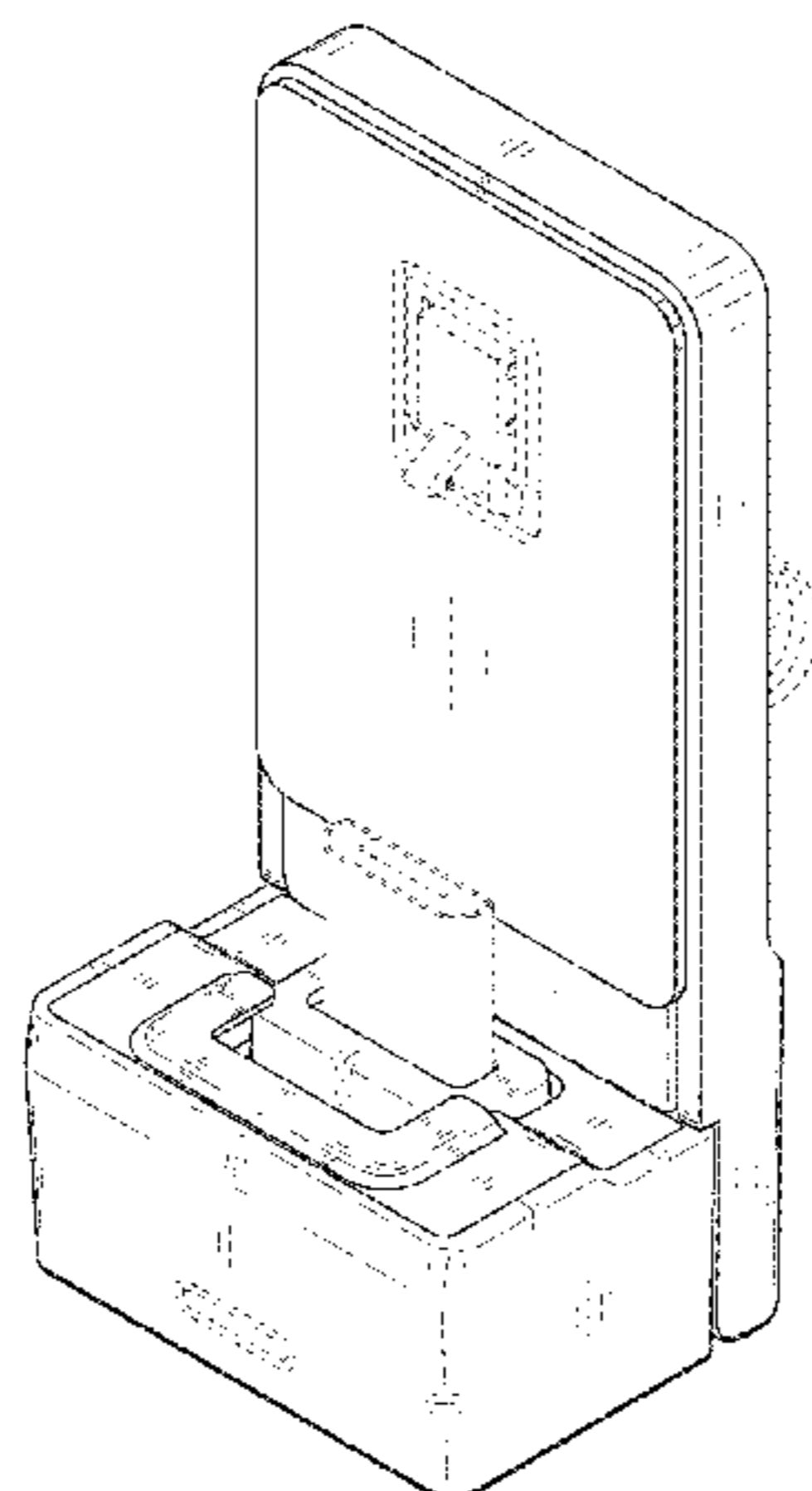
(52) **U.S. Cl.**
USPC **D13/107**

DESCRIPTION

(58) **Field of Classification Search**
USPC D14/251, 253, 432, 434; D13/107–110,
D13/118–119, 184
CPC Y02E 60/12; Y02T 90/14; Y02T 90/122;
Y02T 90/128; Y02T 90/163; H02J 7/025;
H02J 7/0042; H02J 7/0044; H02J 7/0045;
H02J 7/0003; H01F 38/14; H01R
13/6675; H01M 2/1022; H01M 2/1055;

FIG. 1 is a front perspective view of an embodiment of a charger showing our new design;
FIG. 2 is a front elevation view thereof;
FIG. 3 is a rear elevation view thereof;
FIG. 4 is a left side elevation view thereof;
FIG. 5 is a right side elevation view thereof;
FIG. 6 is a top plan view thereof;
FIG. 7 is a bottom plan view thereof; and,
FIG. 8 is the front perspective view of FIG. 1, with additional unclaimed environment.

(Continued)



US D810,678 S

Page 2

The broken lines shown in the drawings are included for the purpose of illustrating environmental structure or portions of the charger and form no part of the claimed design.
Views of the charger not shown form no part of the claimed design.

1 Claim, 8 Drawing Sheets

(56)

References Cited

U.S. PATENT DOCUMENTS

5,933,812 A * 8/1999 Meyer G06Q 20/20
235/380
D420,671 S * 2/2000 Jacobsen D14/240
D427,587 S * 7/2000 Jacobsen D14/240
D442,141 S * 5/2001 Ikenaga D13/107
D452,496 S * 12/2001 Murnaghan D14/242

D517,007 S * 3/2006 Yong-Jian D13/108
D524,315 S * 7/2006 Reusing D14/434
D537,807 S * 3/2007 Griffin D14/155
D546,277 S * 7/2007 Andre D13/103
D582,417 S * 12/2008 Sheba D14/217
D597,093 S * 7/2009 Neu D14/358
D644,645 S * 9/2011 Huang D14/434
D679,713 S * 4/2013 McParland D14/434
D714,788 S * 10/2014 Haller D14/434
D722,043 S * 2/2015 Requa D13/108
D784,261 S * 4/2017 Rowe D13/103
2014/0340029 A1 * 11/2014 Xiao H02J 7/0044
320/108
2016/0195898 A1 * 7/2016 Lau H04M 1/04
361/679.41

FOREIGN PATENT DOCUMENTS

EM 001944455-0001 11/2011
KR 30-0595468 4/2011

* cited by examiner

FIG. 1

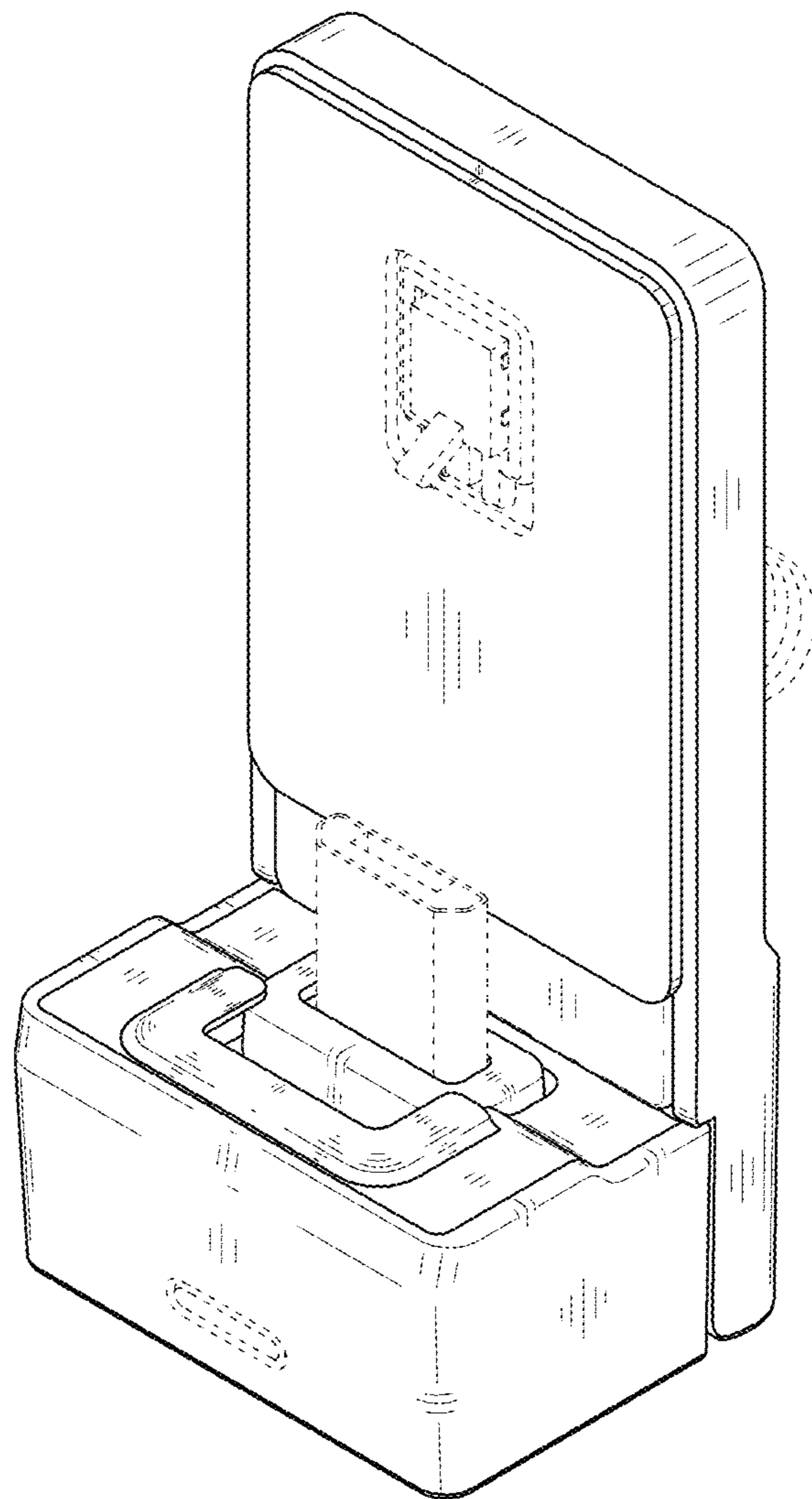


FIG. 2

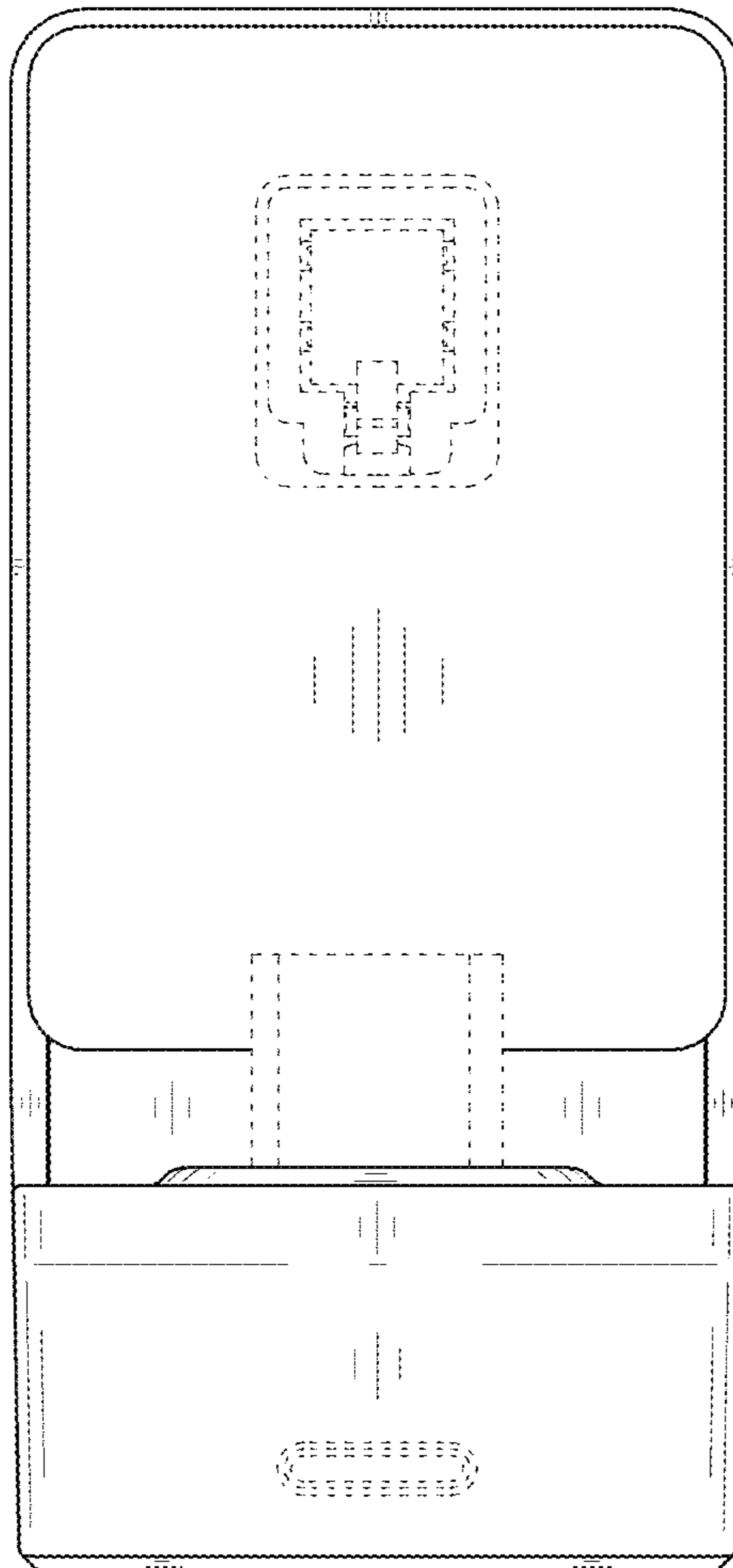


FIG. 3

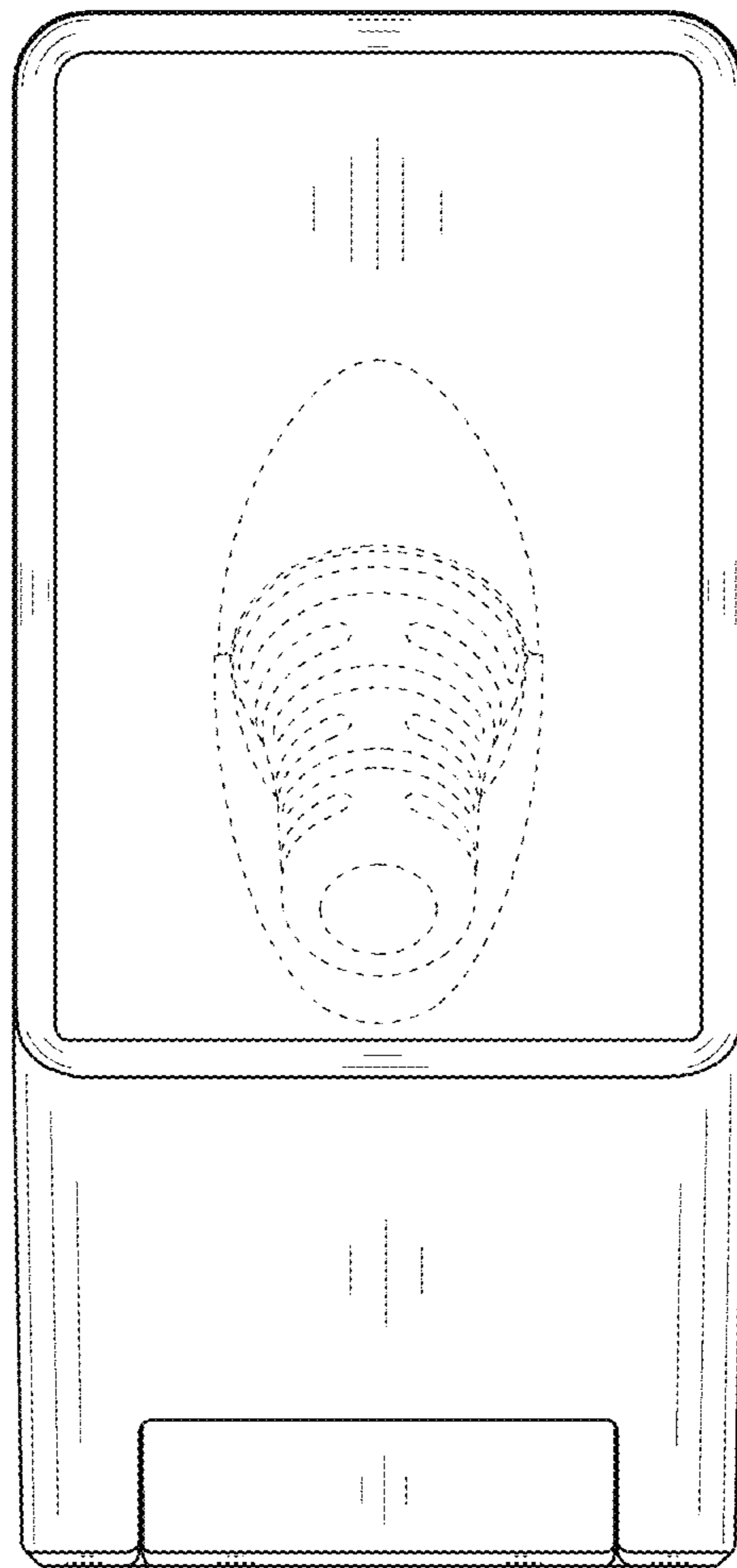


FIG. 4

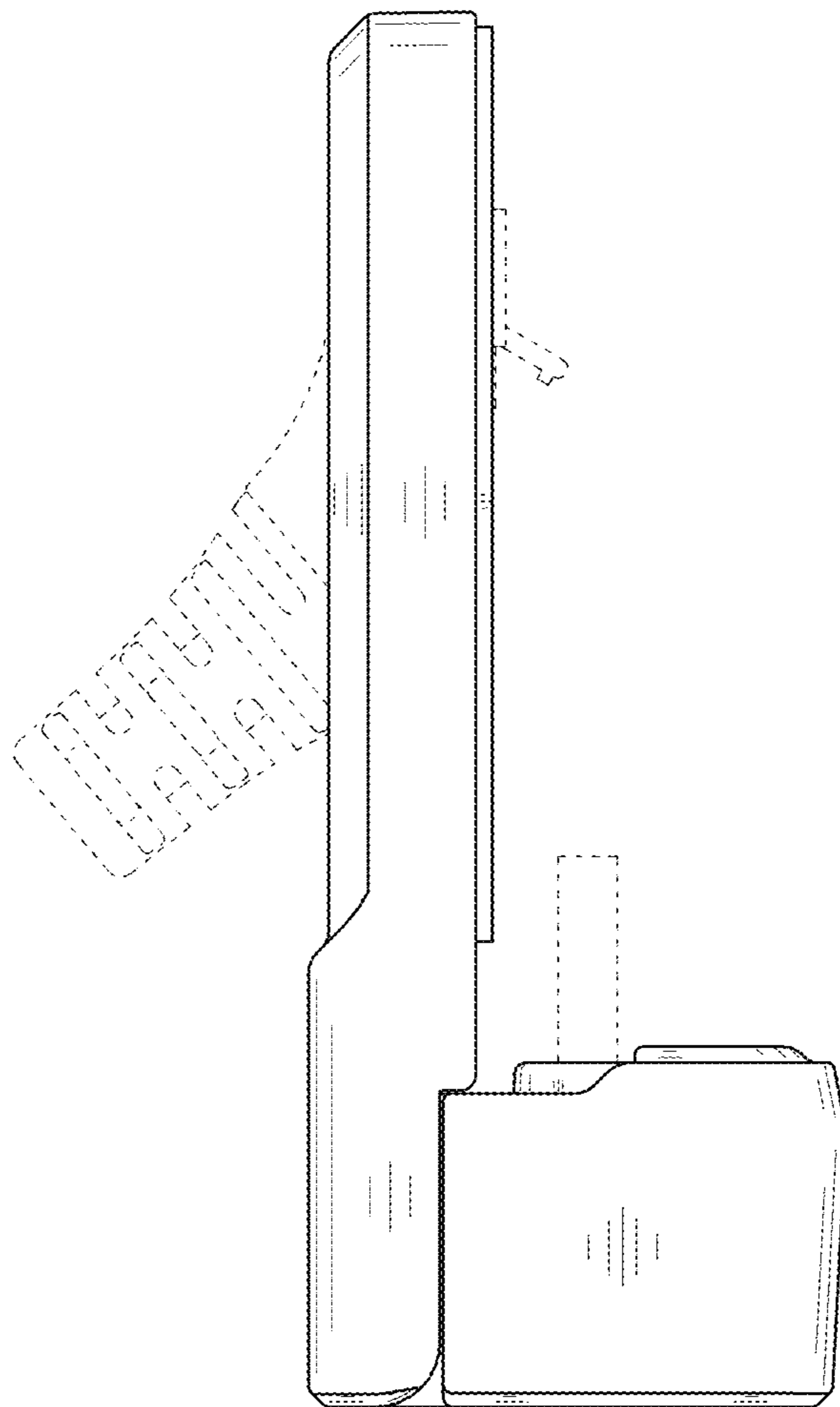


FIG. 5

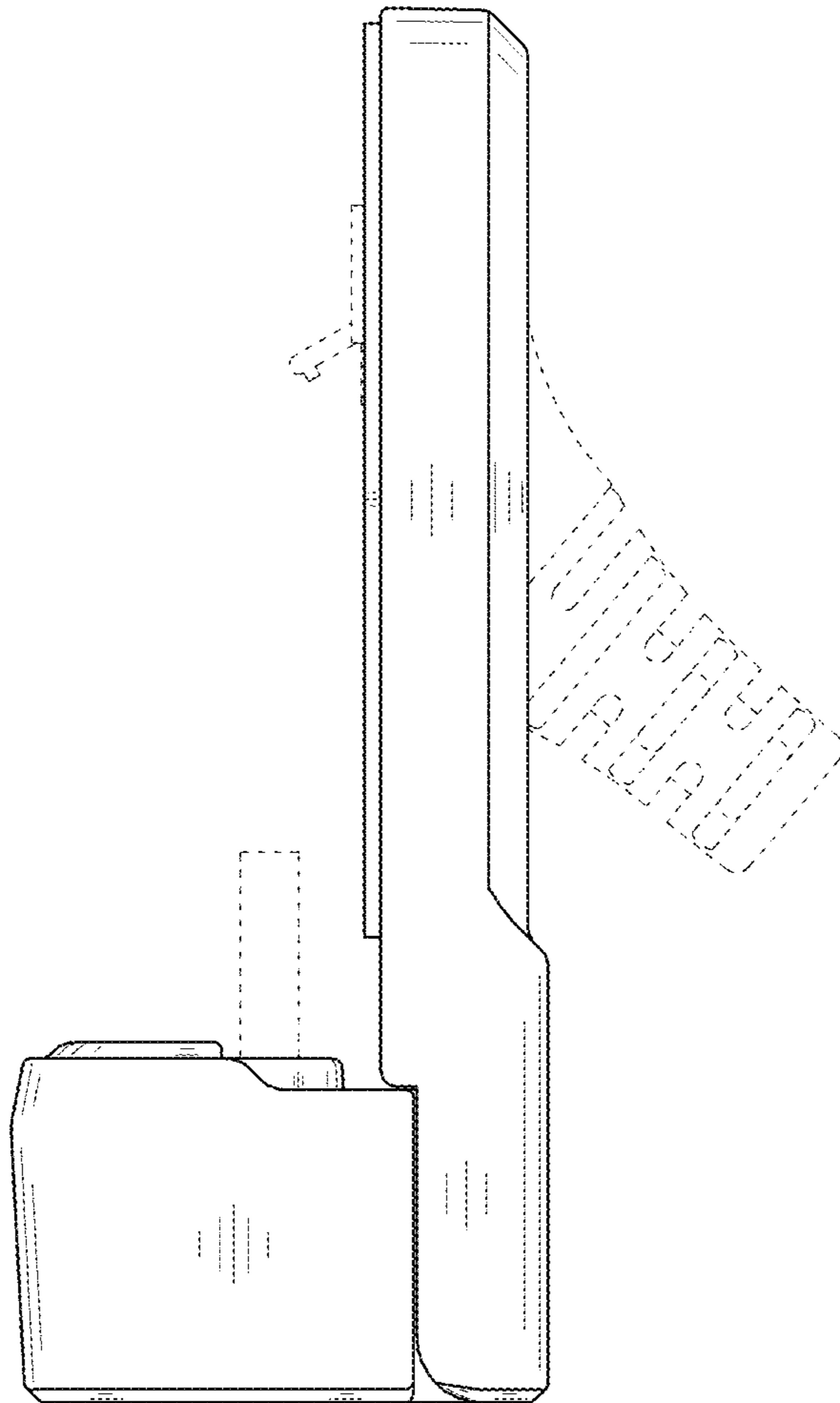


FIG. 6

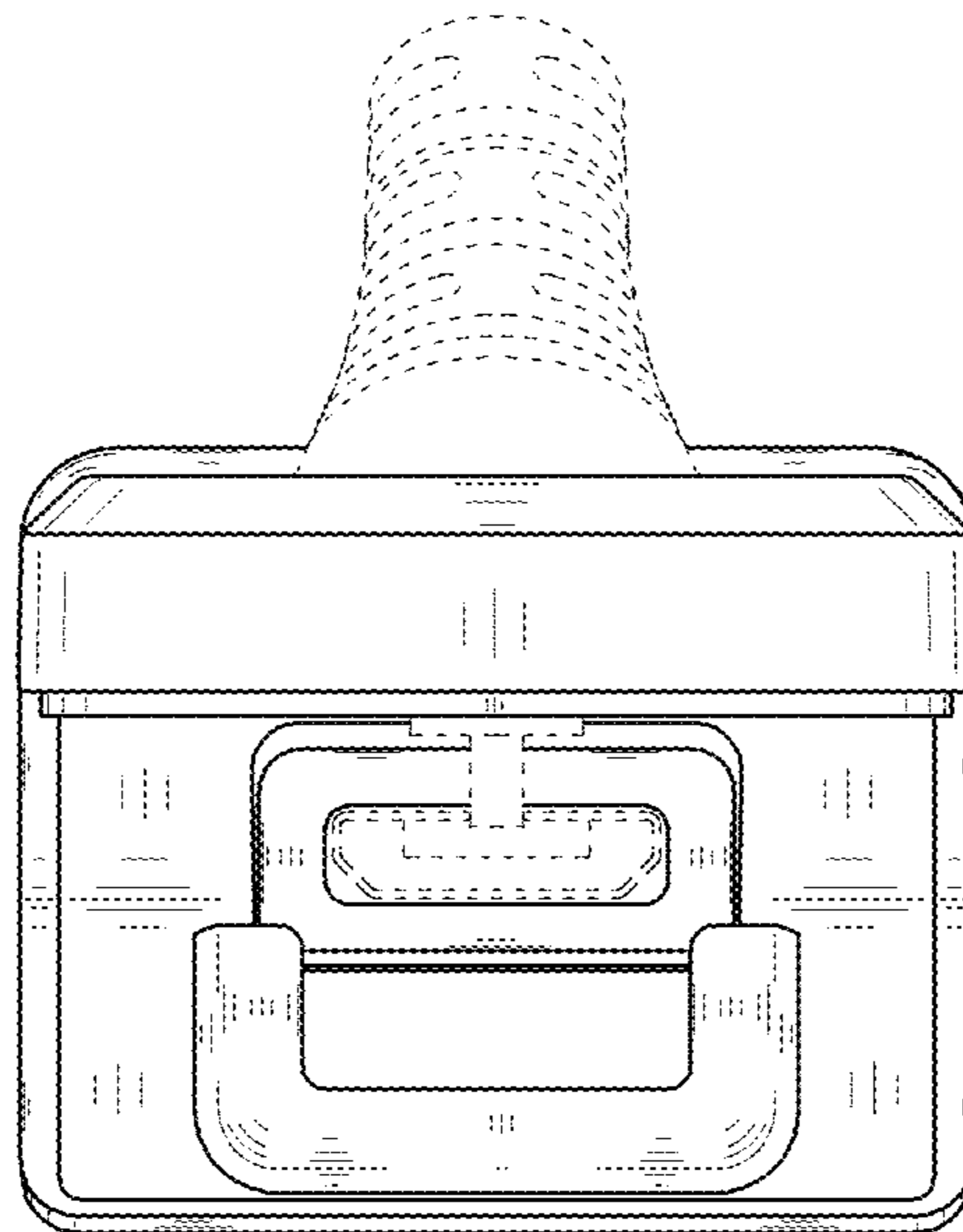


FIG. 7

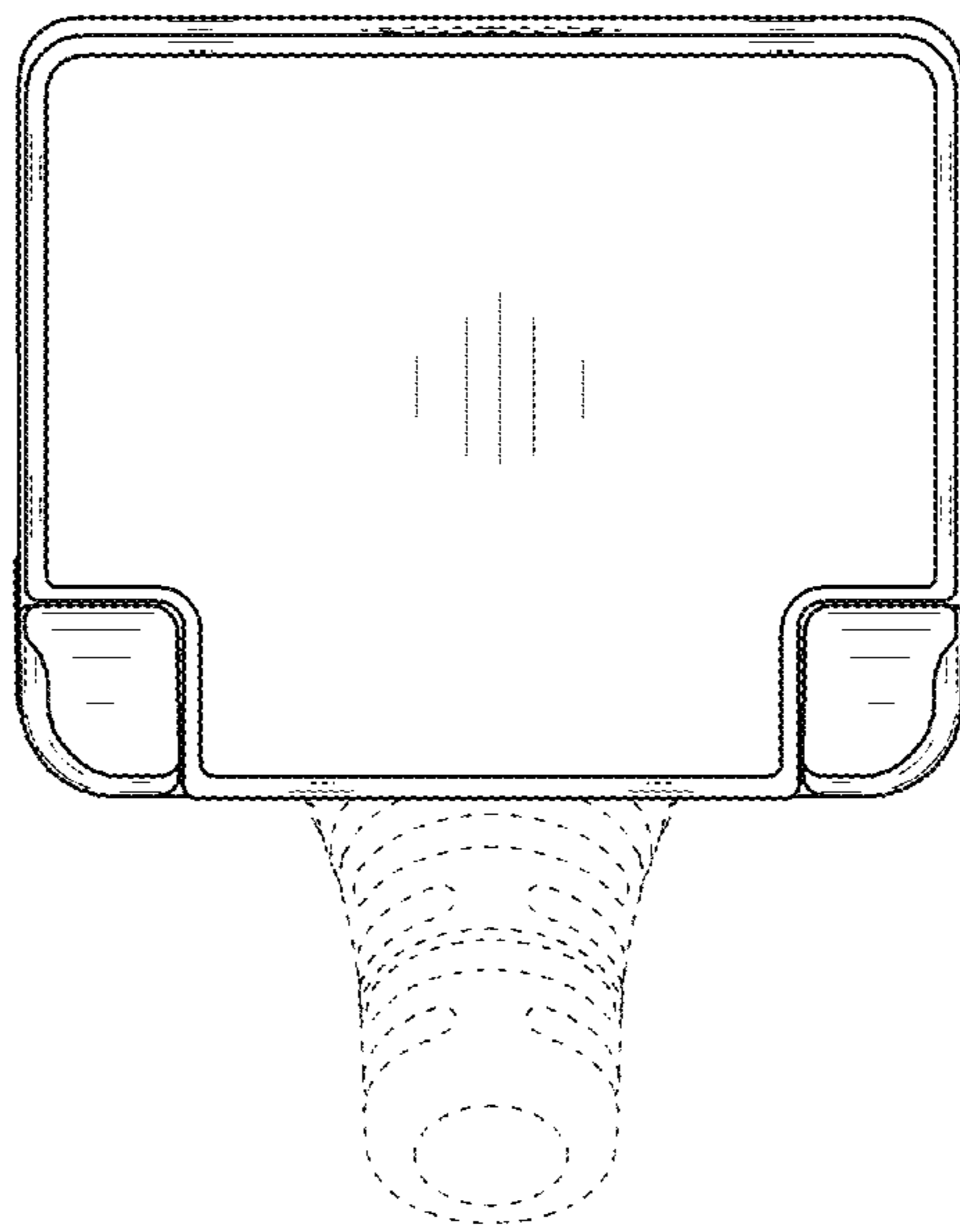


FIG. 8

