



US00D810677S

(12) **United States Design Patent** (10) **Patent No.:** **US D810,677 S**
Chen (45) **Date of Patent:** **** Feb. 20, 2018**

(54) **BATTERY**

FOREIGN PATENT DOCUMENTS

(71) Applicant: **SZ DJI Technology Co., LTD.**,
Shenzhen (CN)

CN	3480600D	10/2005
CN	3612939D	2/2007
CN	300855755D	12/2008
CN	301953833 S	6/2012
CN	302029981 S	8/2012
CN	302267704 S	1/2013
CN	303019388 S	12/2014
CN	303520035 S	12/2015
JP	D1283014	10/2006
JP	D1433275	2/2012
KR	30-0317397-2	2/2003
KR	30-0740591	4/2014
WO	DM/073199	9/2010

(72) Inventor: **Shaojie Chen**, Shenzhen (CN)

(73) Assignee: **SZ DJI Technology Co., Ltd.**,
Shenzhen (CN)

(**) Term: **15 Years**

(21) Appl. No.: **29/555,481**

(22) Filed: **Feb. 22, 2016**

(51) **LOC (11) Cl.** **13-02**

(52) **U.S. Cl.**
USPC **D13/103**

(58) **Field of Classification Search**
USPC D13/102-103, 118-119, 107-110, 184,
D13/104-106, 199
CPC Y02E 60/12; Y02E 60/122; Y02E 60/124;
Y02E 60/50; H01M 2/02; H01M 2/022;
H01M 2/0202; H01M 2/0207; H01M
2/0212; H01M 2/1061; H01M 2/1022;
H01M 2/1055; H01M 2/1066; H01M
2/105; H01M 2/204; H01M 10/4257;
H01M 10/0436; H01M 10/48
See application file for complete search history.

* cited by examiner

Primary Examiner — Rosemary K Tarcza
(74) *Attorney, Agent, or Firm* — Sterne, Kessler,
Goldstein & Fox P.L.L.C.

(56) **References Cited**

U.S. PATENT DOCUMENTS

D391,622 S *	3/1998	Huynh	D13/103
D400,495 S *	11/1998	Deslyper	D13/103
D407,708 S *	4/1999	Nagele	D13/103
D660,789 S *	5/2012	Mar	D13/103
D680,061 S *	4/2013	Jiang	D13/103
D709,444 S *	7/2014	Ibuki	D13/103
D764,402 S *	8/2016	Rowe	D13/103
D768,567 S *	10/2016	Caubel	D13/103
2016/0260938 A1 *	9/2016	Nielsen	H01M 2/0202

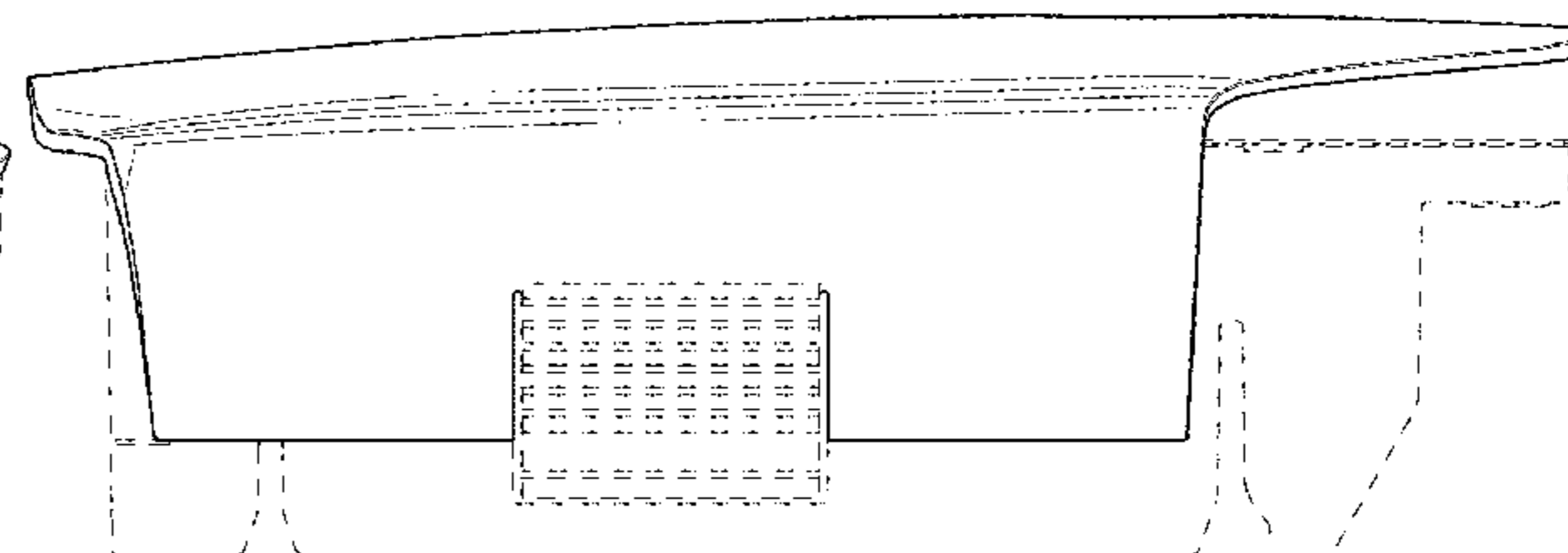
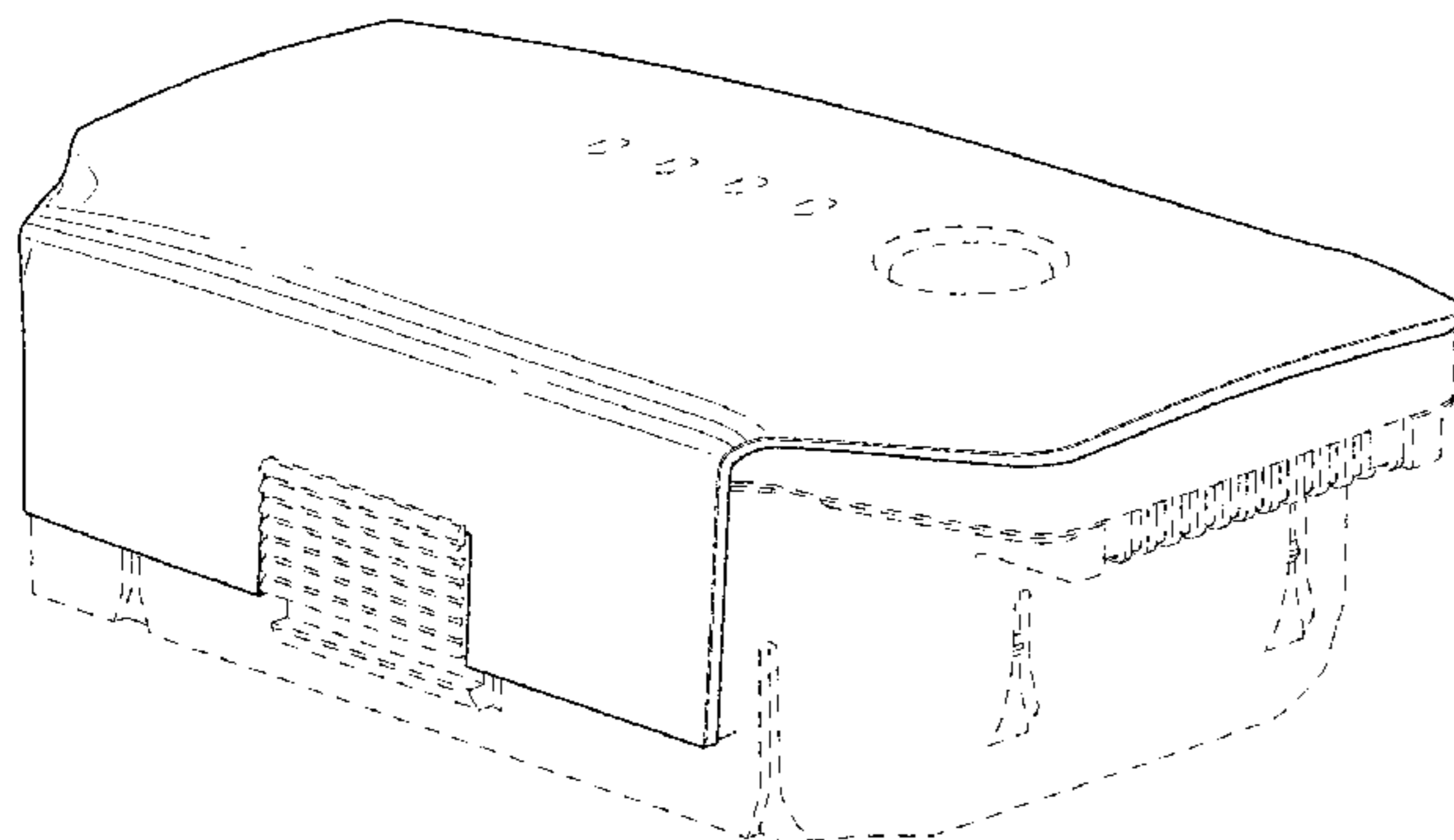
(57) **CLAIM**

The ornamental design for a battery, as shown and described.

DESCRIPTION

FIG. 1 is a top front perspective view of a battery showing the claimed design;
FIG. 2 is a top rear perspective view thereof;
FIG. 3 is a front view thereof;
FIG. 4 is a rear view thereof;
FIG. 5 is a left side view thereof;
FIG. 6 is a right side view thereof;
FIG. 7 is a top view thereof; and,
FIG. 8 is a bottom view thereof.
The broken lines in the figures show portions of the battery that form no part of the claimed design.
The shade lines in the figures show contour and not surface ornamentation.

1 Claim, 8 Drawing Sheets



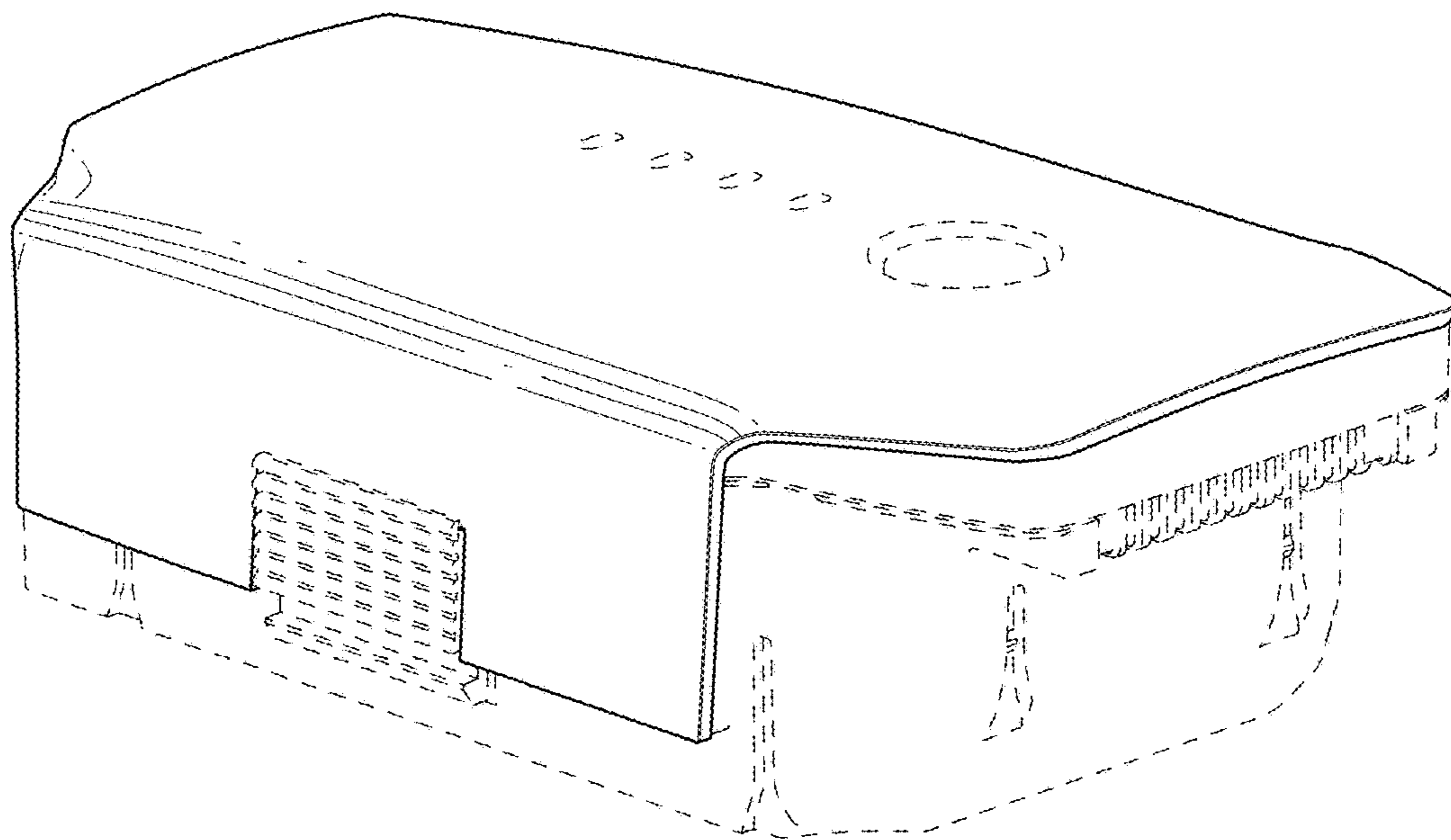


FIG. 1

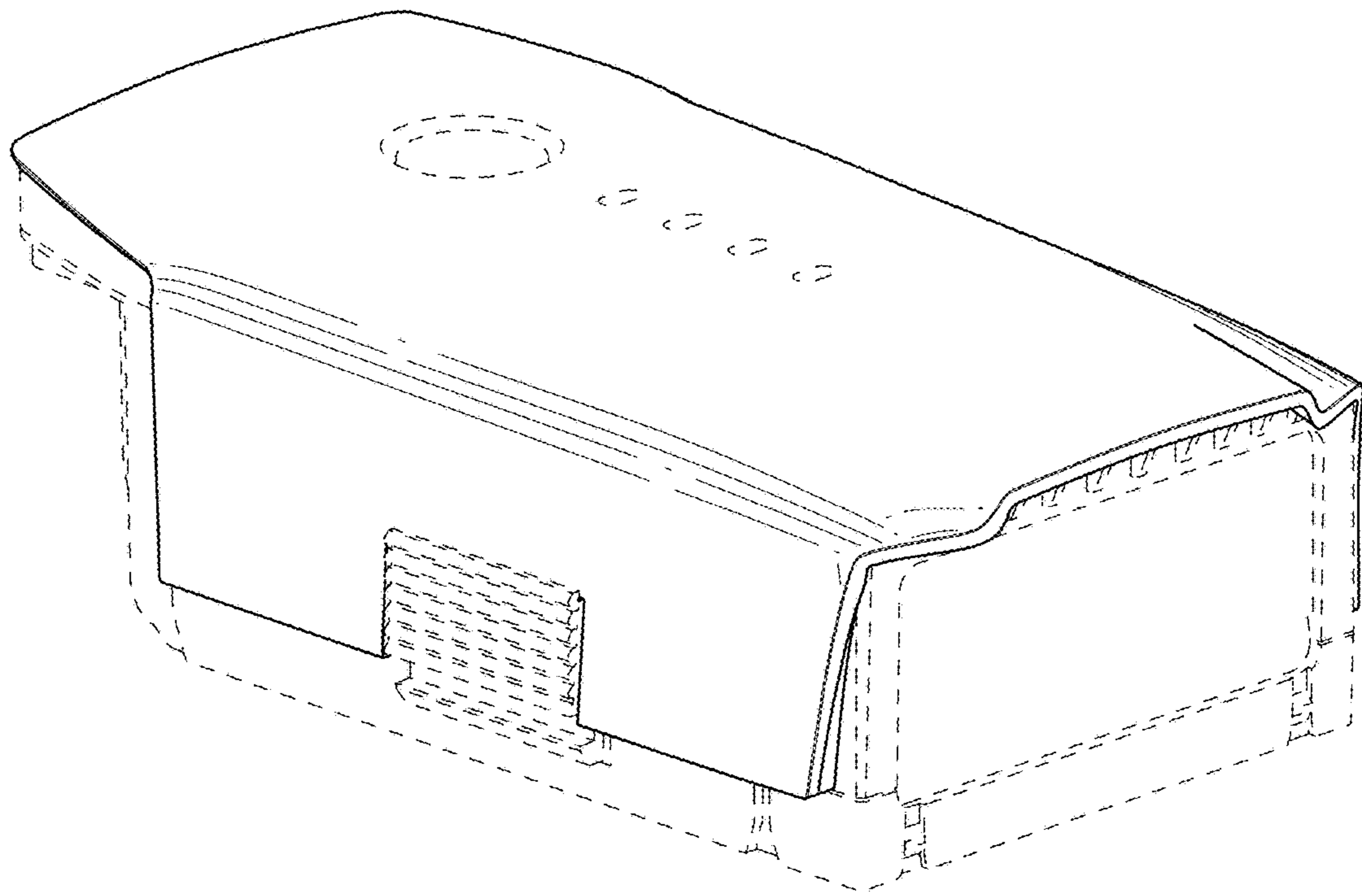


FIG. 2

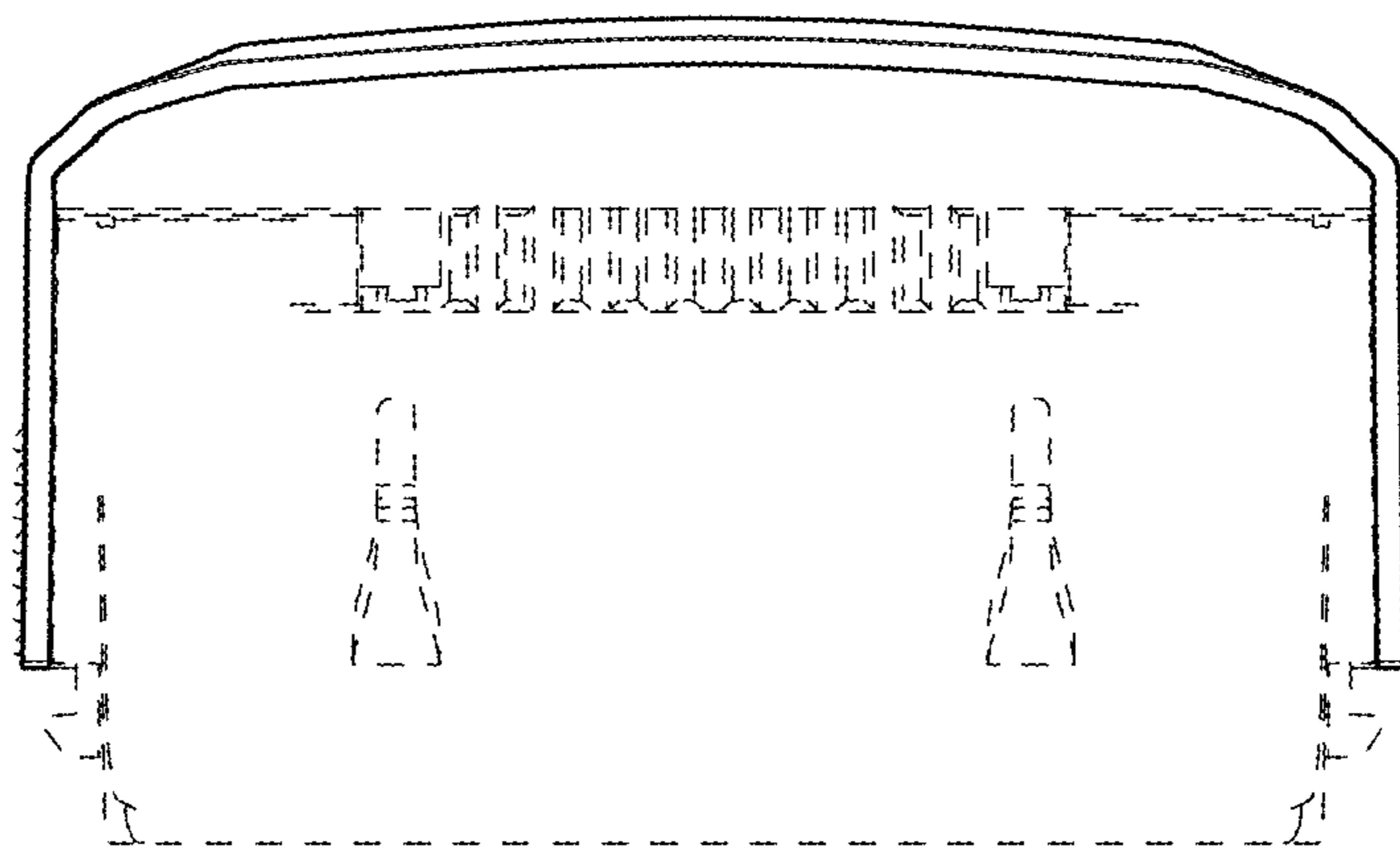


FIG. 3

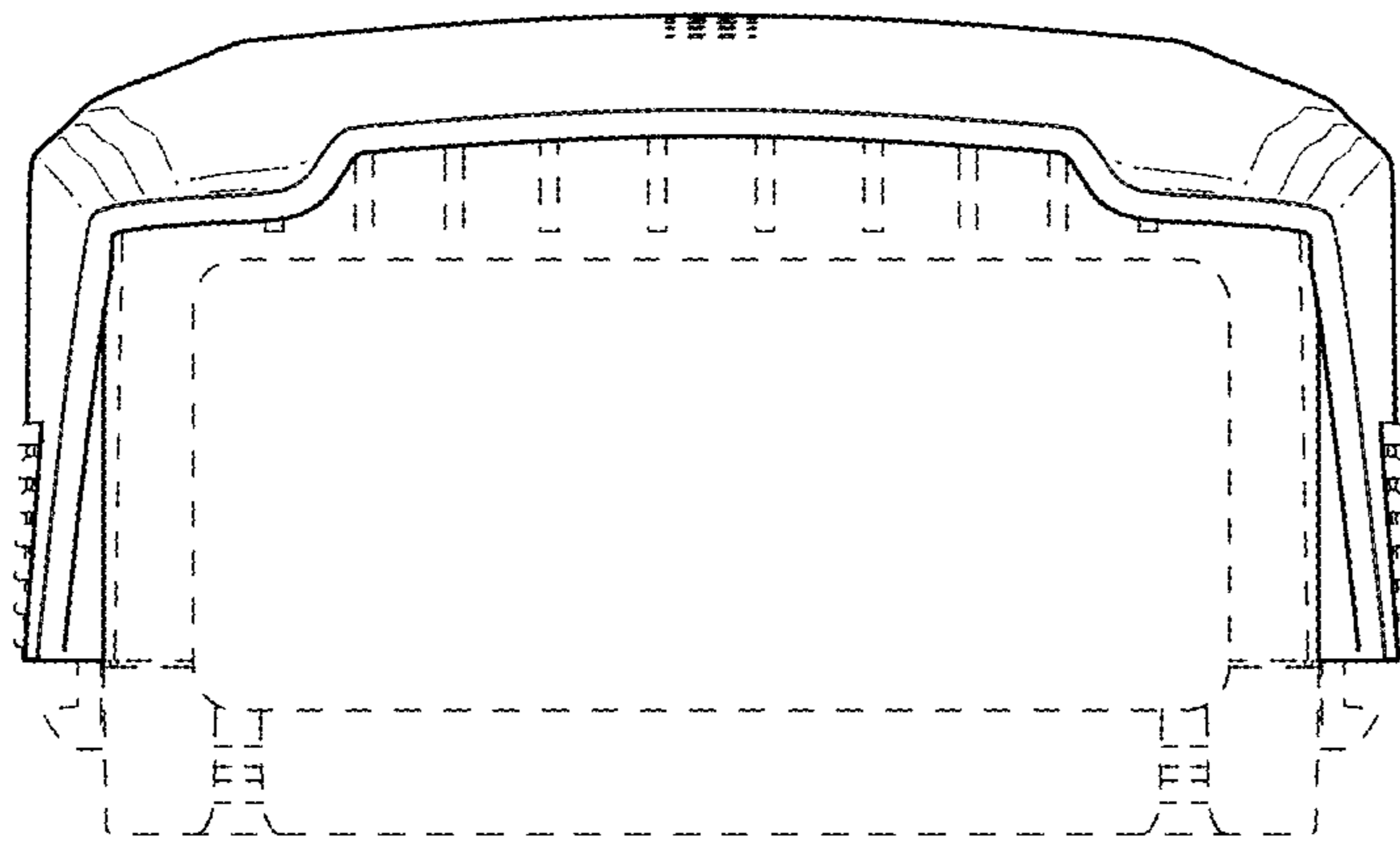


FIG. 4

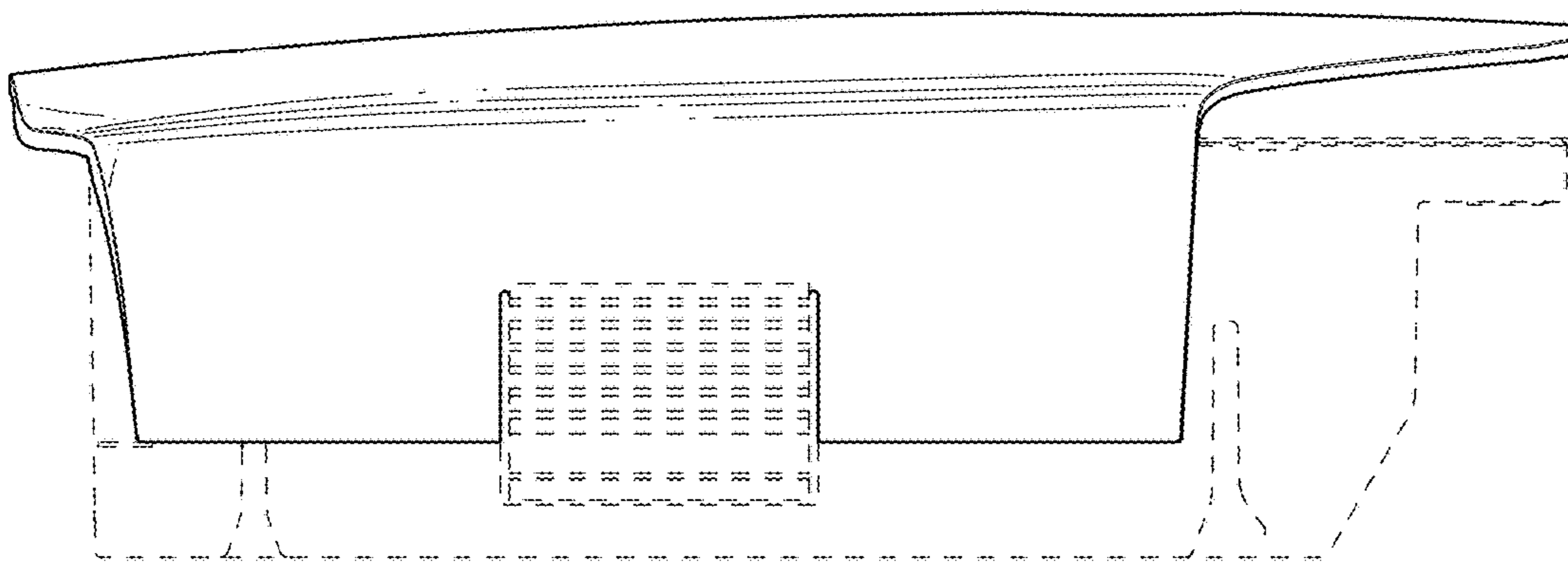


FIG. 5

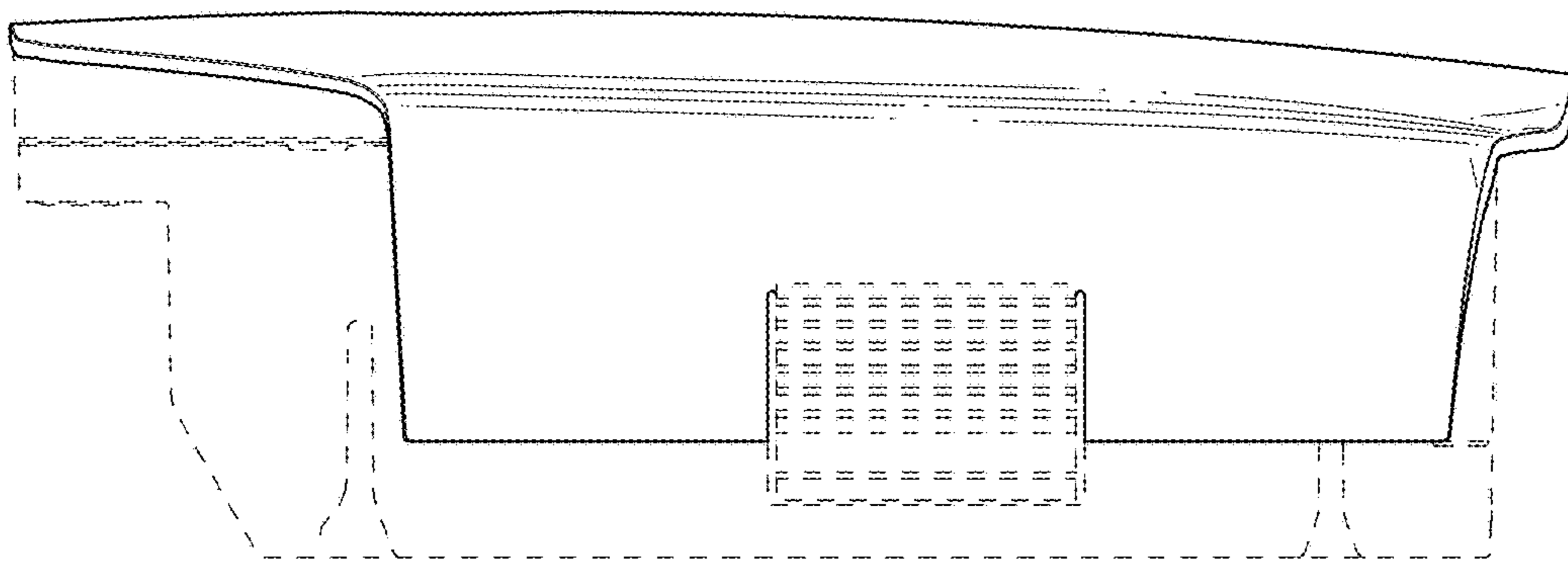


FIG. 6

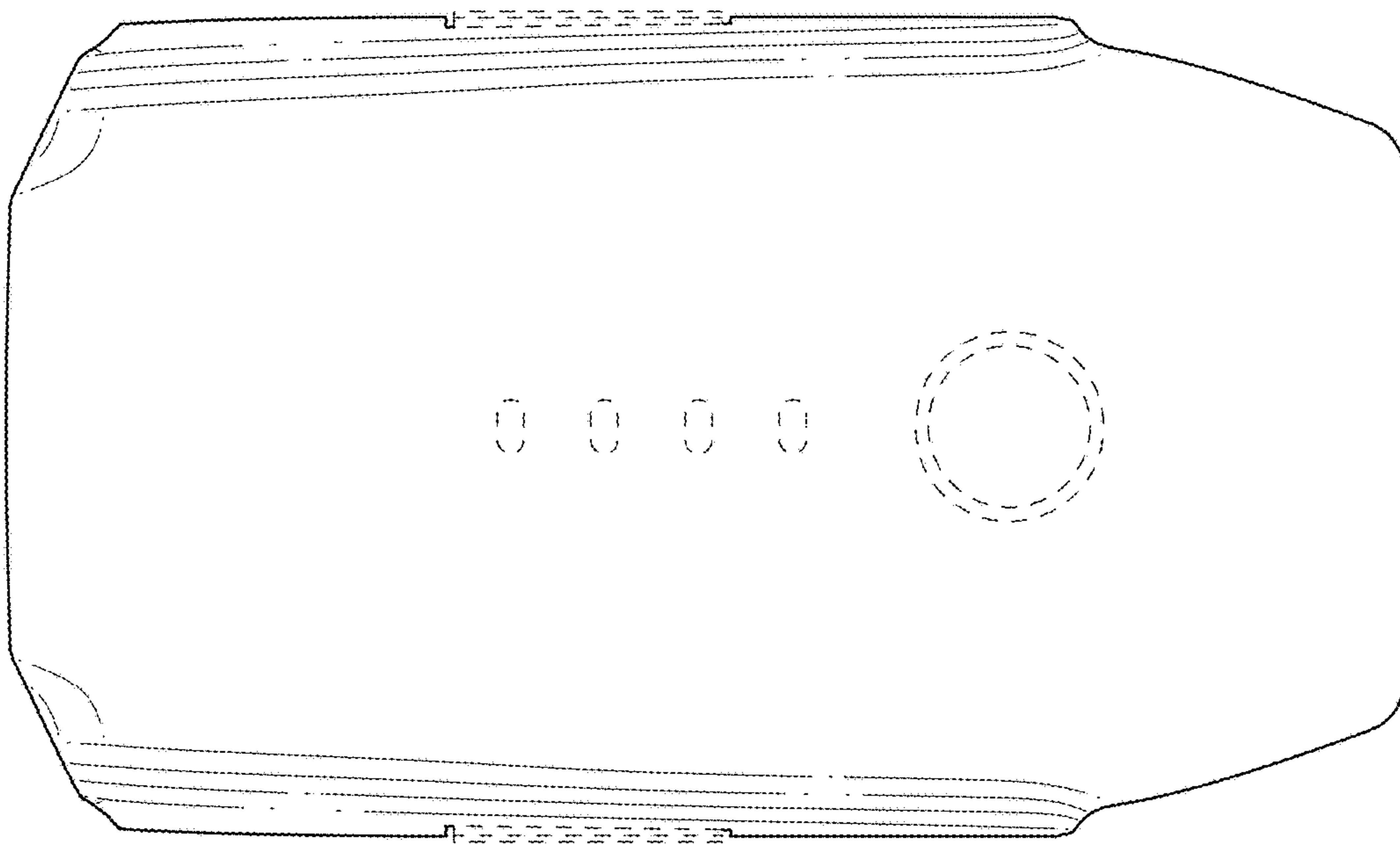


FIG. 7

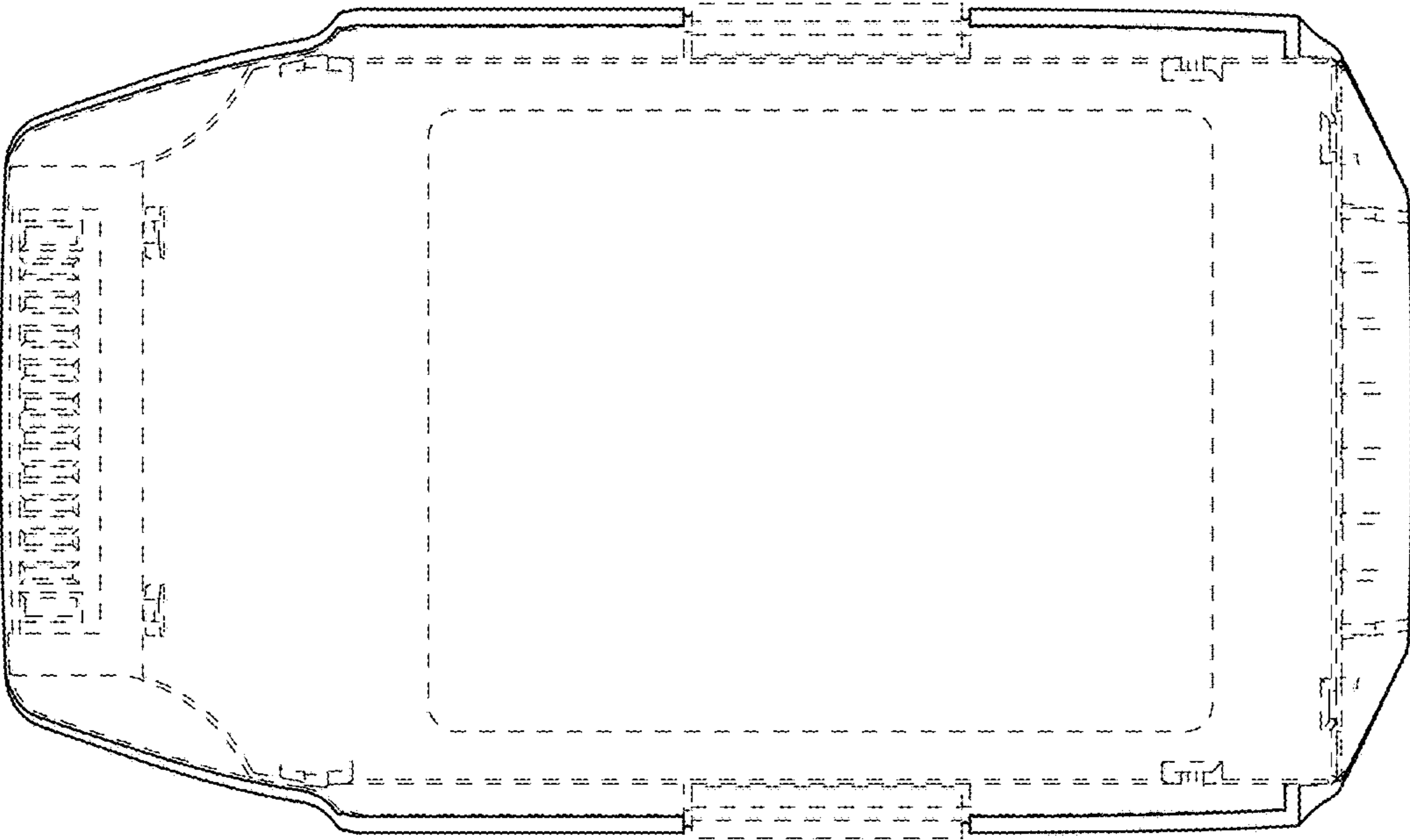


FIG. 8