



US00D810673S

(12) **United States Design Patent**
Villamizar et al.

(10) **Patent No.:** **US D810,673 S**

(45) **Date of Patent:** **** Feb. 20, 2018**

(54) **TIRE**

(71) Applicant: **The Goodyear Tire & Rubber Company, Akron, OH (US)**

(72) Inventors: **William Urbano Villamizar, Mersch (LU); Guillaume Pallot, Cruchten (LU); Mihir Singh Meetarbhan, Luxembourg (LU); Stephane Laurent Claude Bokken, Vielsalm (BE); Armand Rene Gabriel Leconte, Bigonville (LU); Sebastien Willy Fontaine, Vichten (LU); Christian Jean-Michel Jetten, Mabompre (BE); Michel Pierre Charles Robert, Sibret (BE)**

(73) Assignee: **The Goodyear Tire & Rubber Company, Akron, OH (US)**

(**) Term: **15 Years**

(21) Appl. No.: **29/576,101**

(22) Filed: **Aug. 31, 2016**

(51) **LOC (11) Cl.** **12-15**

(52) **U.S. Cl.**
USPC **D12/590**

(58) **Field of Classification Search**
USPC D12/579, 586, 588, 589, 590
CPC B60C 11/03; B60C 11/04; B60C 11/13;
B60C 2011/0386; B60C 2011/0388
See application file for complete search history.

(56) **References Cited**

U.S. PATENT DOCUMENTS

D388,380 S	12/1997	Harpes et al.	D12/147
D426,794 S	6/2000	Meer et al.	D12/142
D522,442 S	6/2006	Shirouzu	D12/515
D577,655 S	9/2008	Heinen	D12/521
D578,955 S	10/2008	Fontaine et al.	D12/524

D586,725 S	2/2009	Fontaine et al.	D12/519
D586,729 S	2/2009	Mukai	D12/550
D595,642 S	7/2009	Fontaine et al.	D12/582
D610,962 S	3/2010	Allison et al.	D12/532
D613,237 S	4/2010	Mukai	D12/585
D613,240 S	4/2010	Mukai	D12/590
D633,433 S	3/2011	Sieber et al.	D12/519

(Continued)

Primary Examiner — Robert M. Spear

(74) *Attorney, Agent, or Firm* — Robert N. Lipsik

(57) **CLAIM**

The ornamental design for a tire, as shown and described.

DESCRIPTION

FIG. 1 is a perspective view of a tire showing our new design, it being understood that the pattern repeats uniformly throughout the circumference of the tread;

FIG. 2 is a front elevational view thereof;

FIG. 3 is a right side elevational view thereof; the left side elevational view being identical thereto;

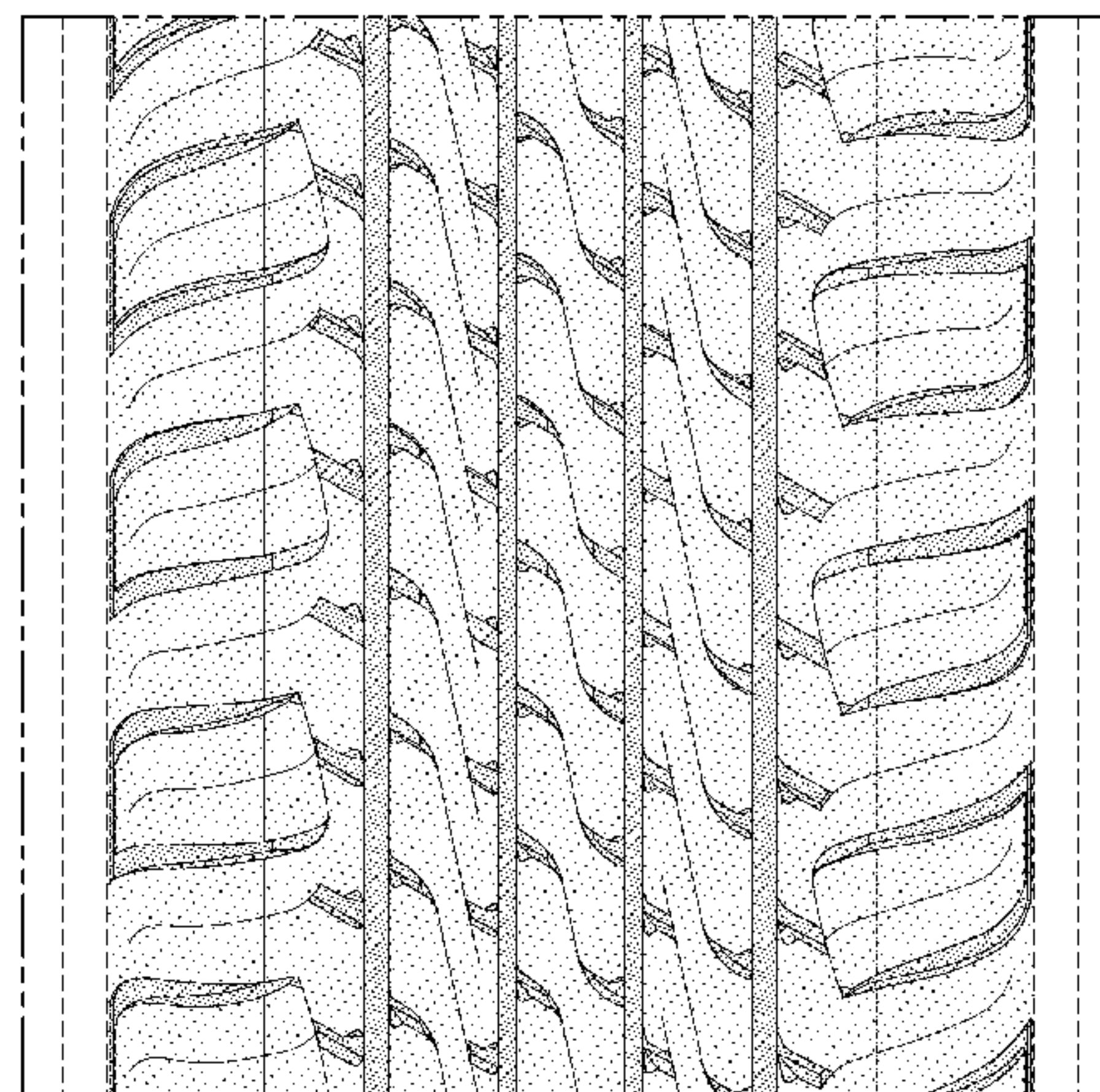
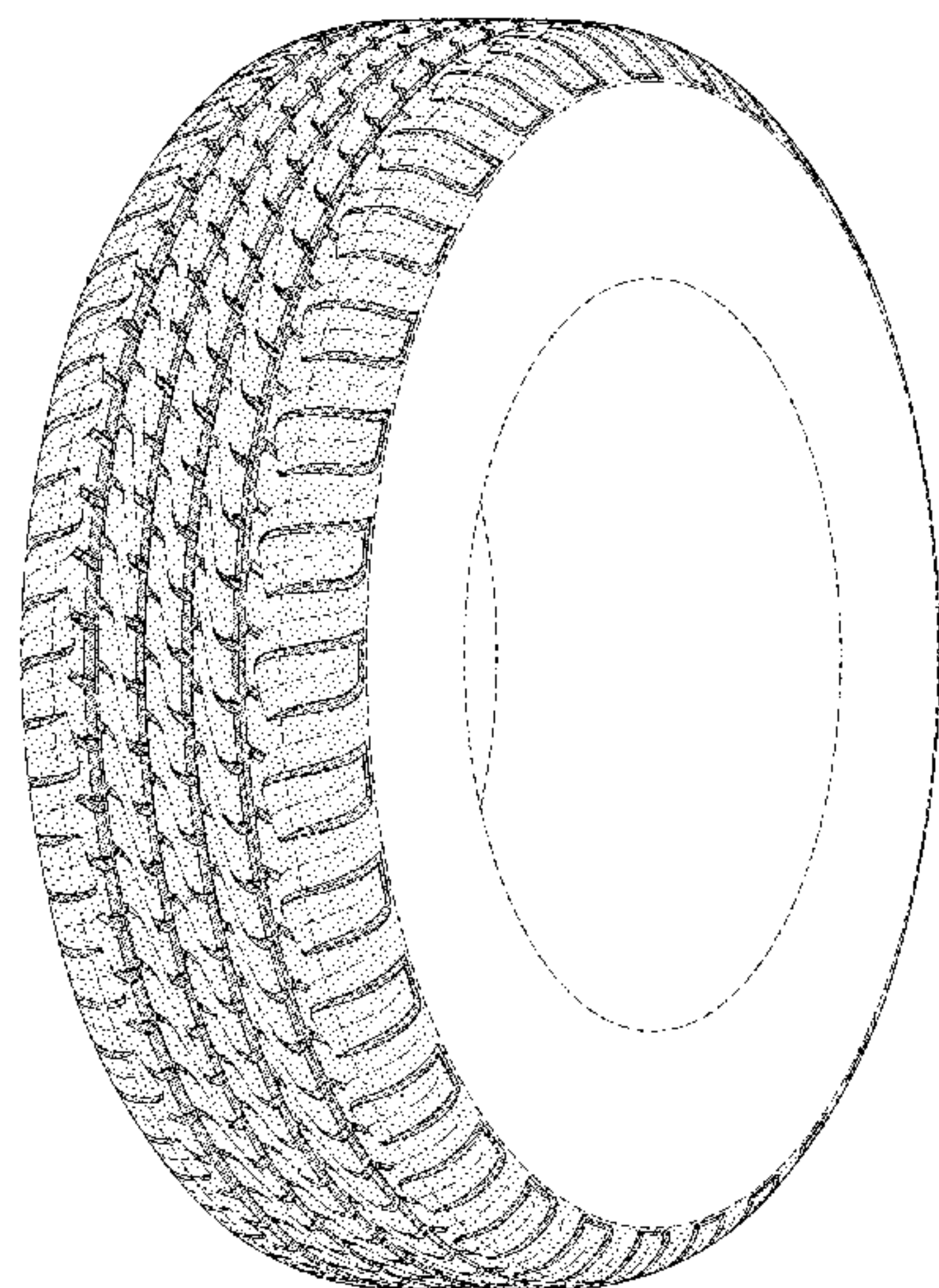
FIG. 4 is an enlarged fragmentary front elevational view taken along Line 4 of FIG. 2;

FIG. 5 is a perspective view of a second embodiment of a tire showing our new design, it being understood that the pattern repeats uniformly throughout the circumference of the tread and that the opposite side view is identical thereto; and,

FIG. 6 is a front elevational view of a second embodiment, it being understood that an enlarged fragmentary view thereof would be substantially identical to that shown in FIG. 4, with the exception of the inclusion of the sidewall in solid lines.

In the drawings, the broken lines showing of the sidewall, inner bead and the peripheral boundary between the tire tread and the sidewall in FIGS. 1 through 4 and the dot-dot-dash broken lines that border the enlarged fragmentary views in FIGS. 2 and 4 depict environmental subject matter and form no part of the claimed design.

1 Claim, 6 Drawing Sheets



(56)

References Cited

U.S. PATENT DOCUMENTS

D640,970 S	7/2011	Umstot et al.	D12/600
D645,808 S	9/2011	Takemoto	D12/585
D659,083 S	5/2012	Nguyen et al.	D12/587
D659,084 S	5/2012	Graas et al.	D12/590
D668,600 S *	10/2012	Pingenat	D12/584
D706,708 S	6/2014	Fontaine et al.	D12/583
D740,745 S *	10/2015	Tian	D12/586
D746,763 S	1/2016	Kubo	D12/564
D746,764 S	1/2016	Takemoto	D12/584
D746,766 S	1/2016	Takemoto	D12/589
D754,061 S	4/2016	Nagamoto	D12/584
D760,151 S	6/2016	Hayashi	D12/584
D785,551 S *	5/2017	Farinelle	D12/588

* cited by examiner

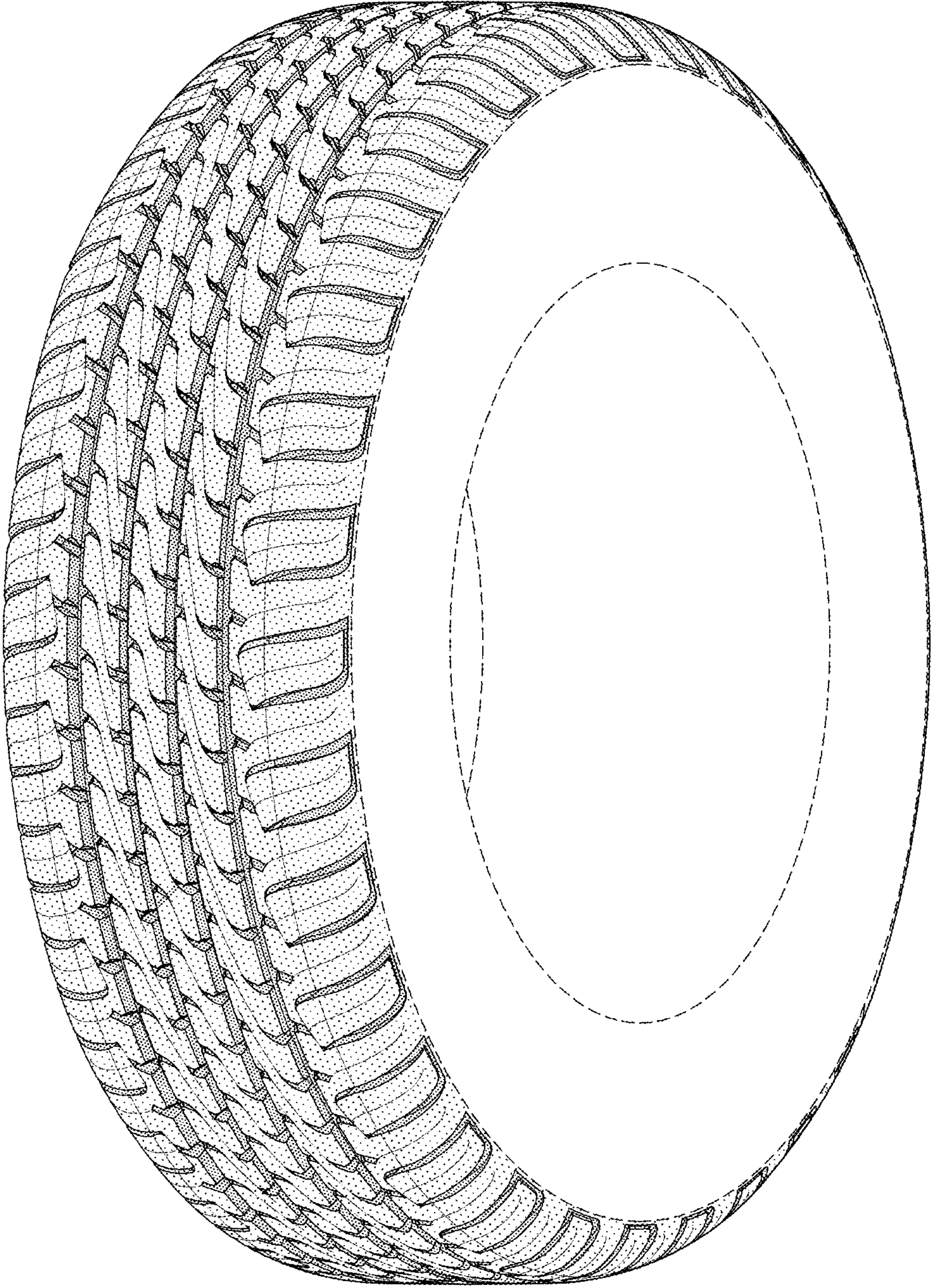


FIG-1

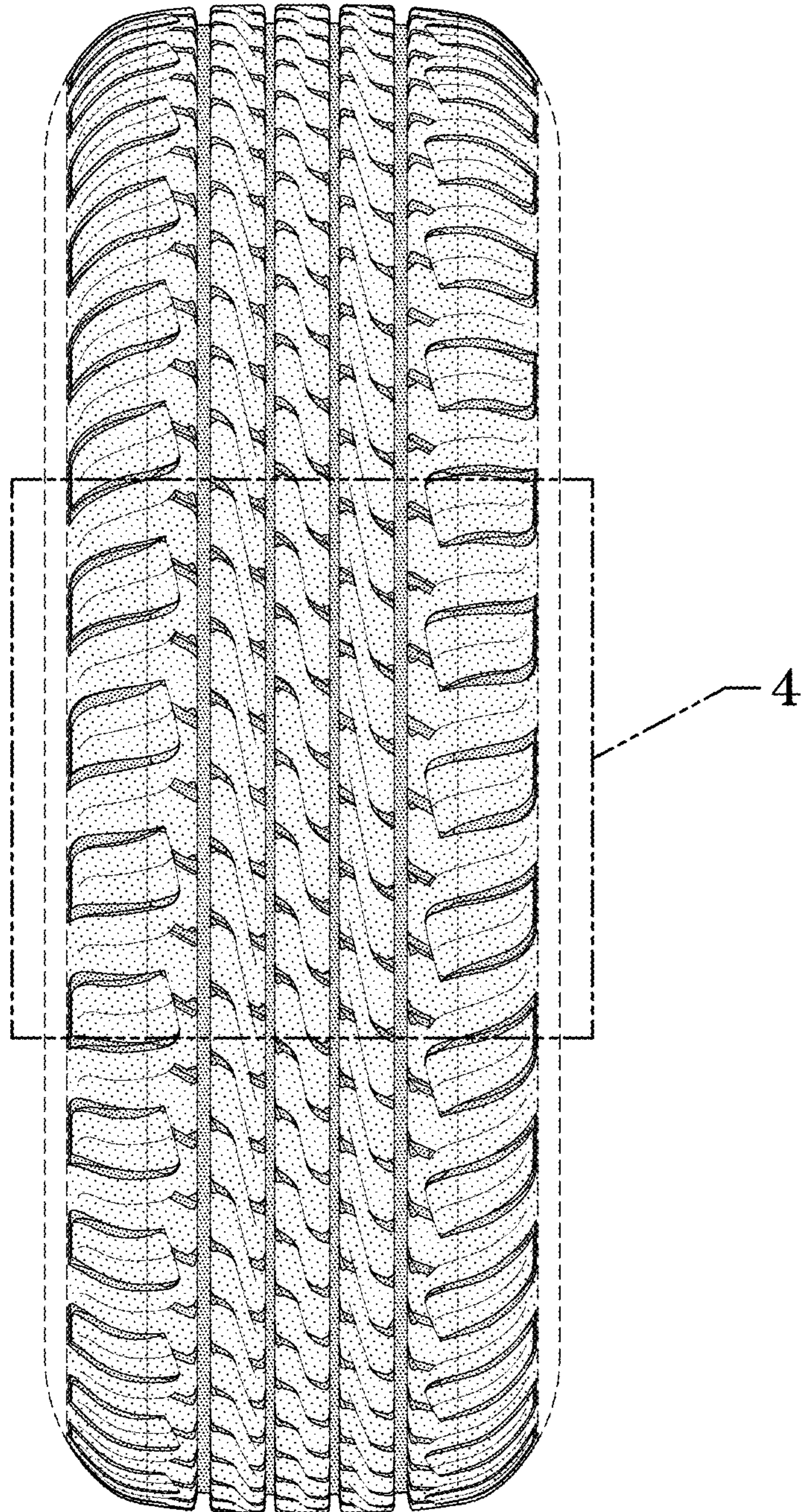


FIG-2

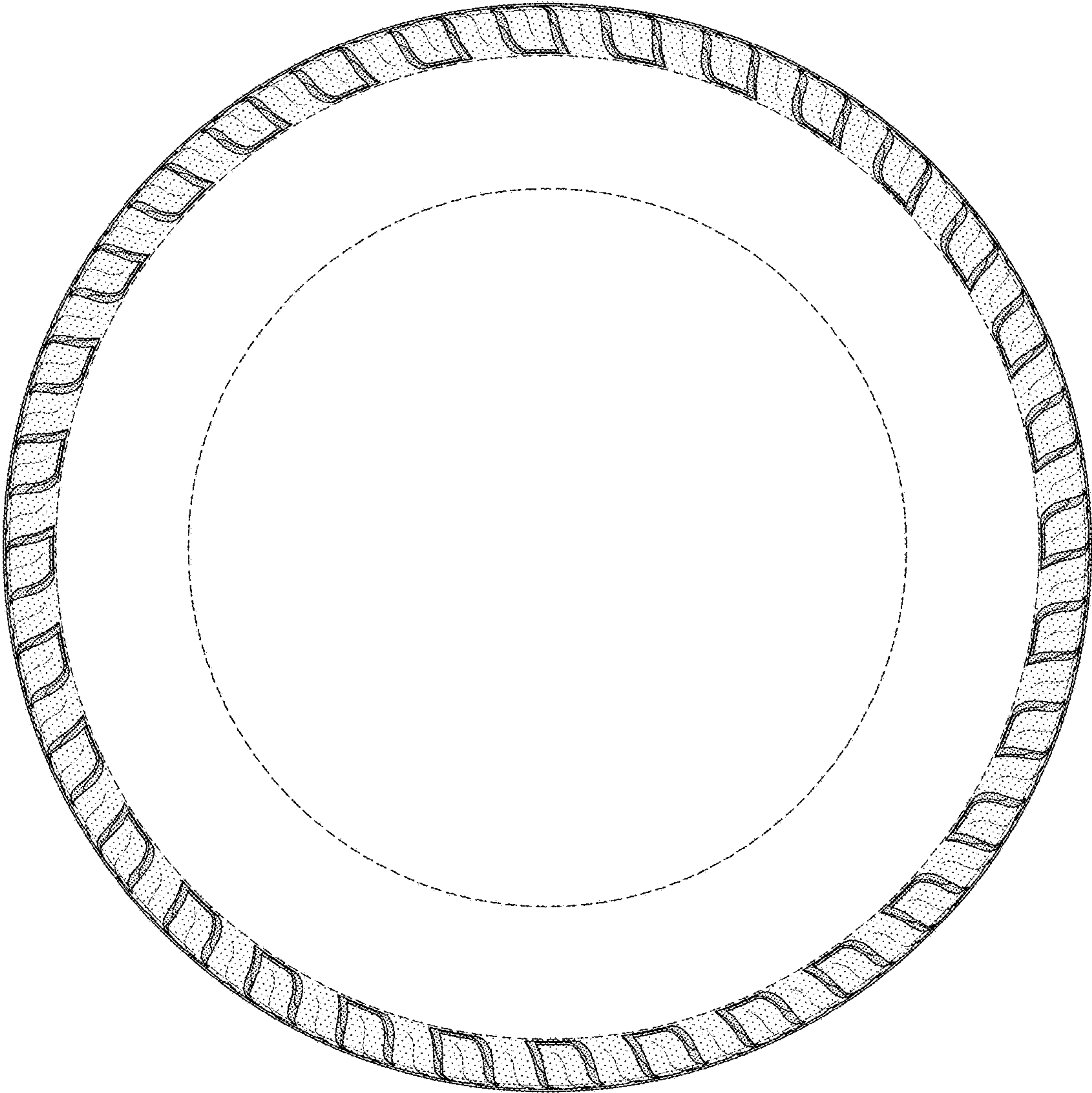


FIG-3

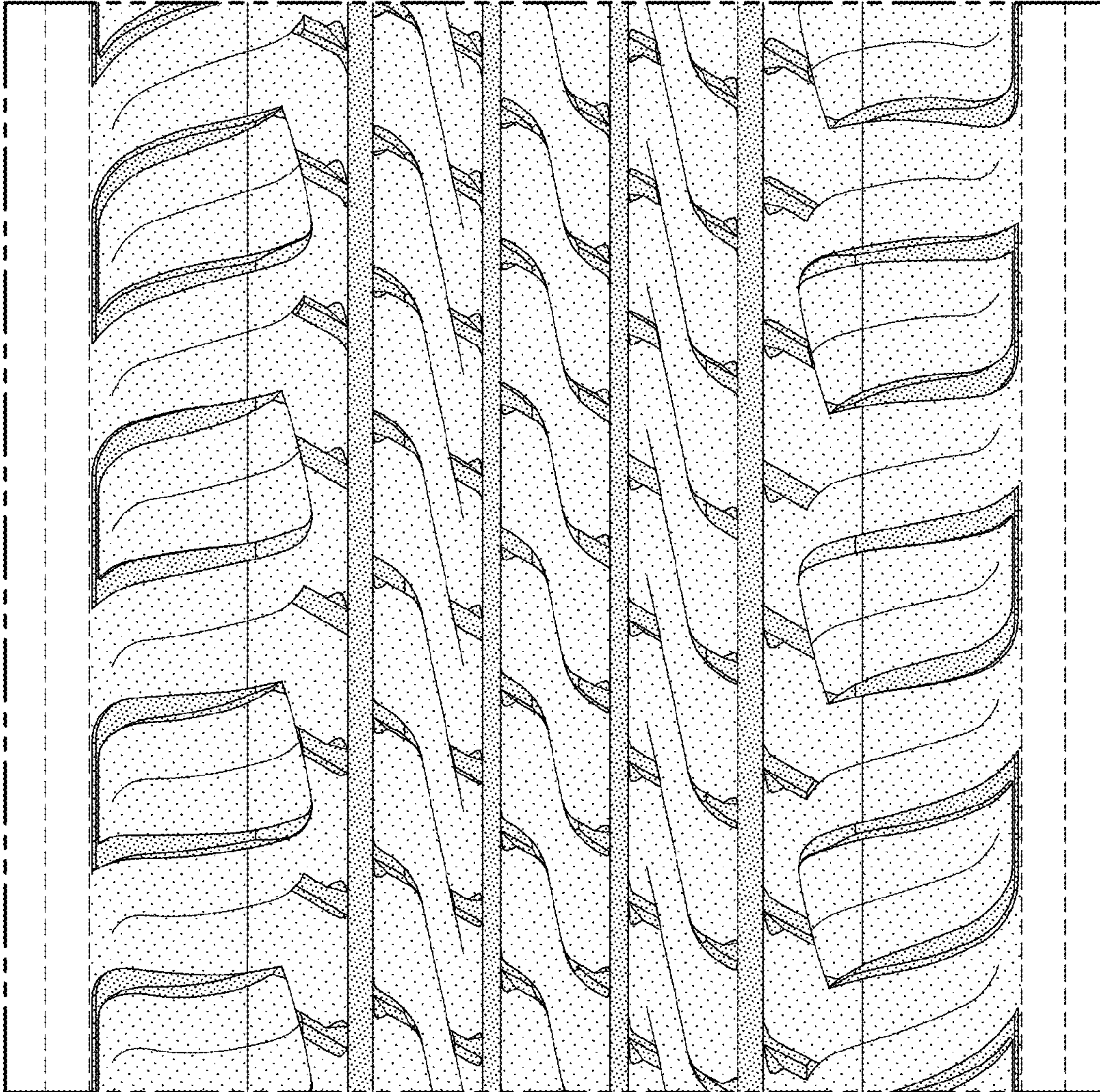


FIG-4

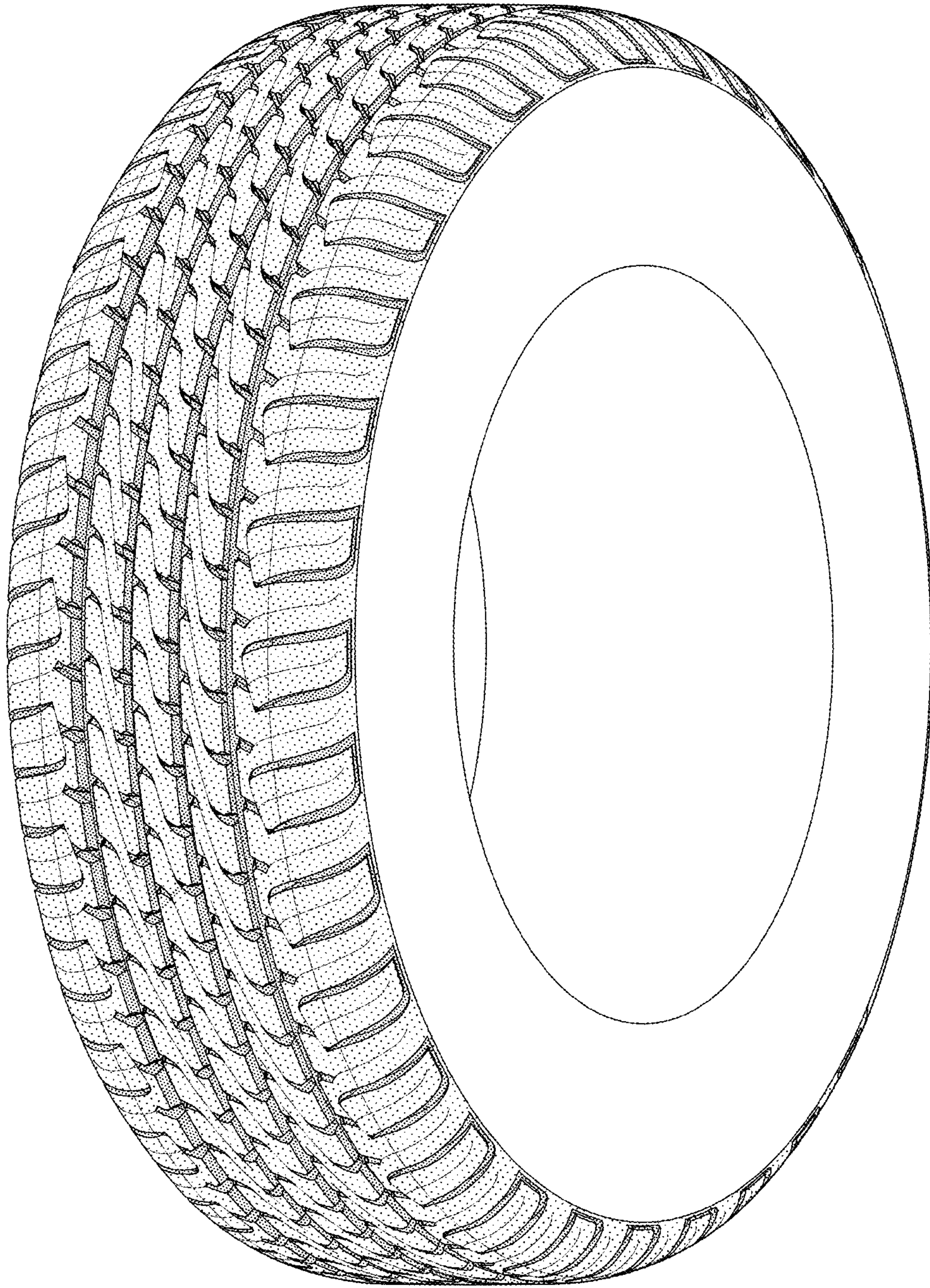


FIG-5

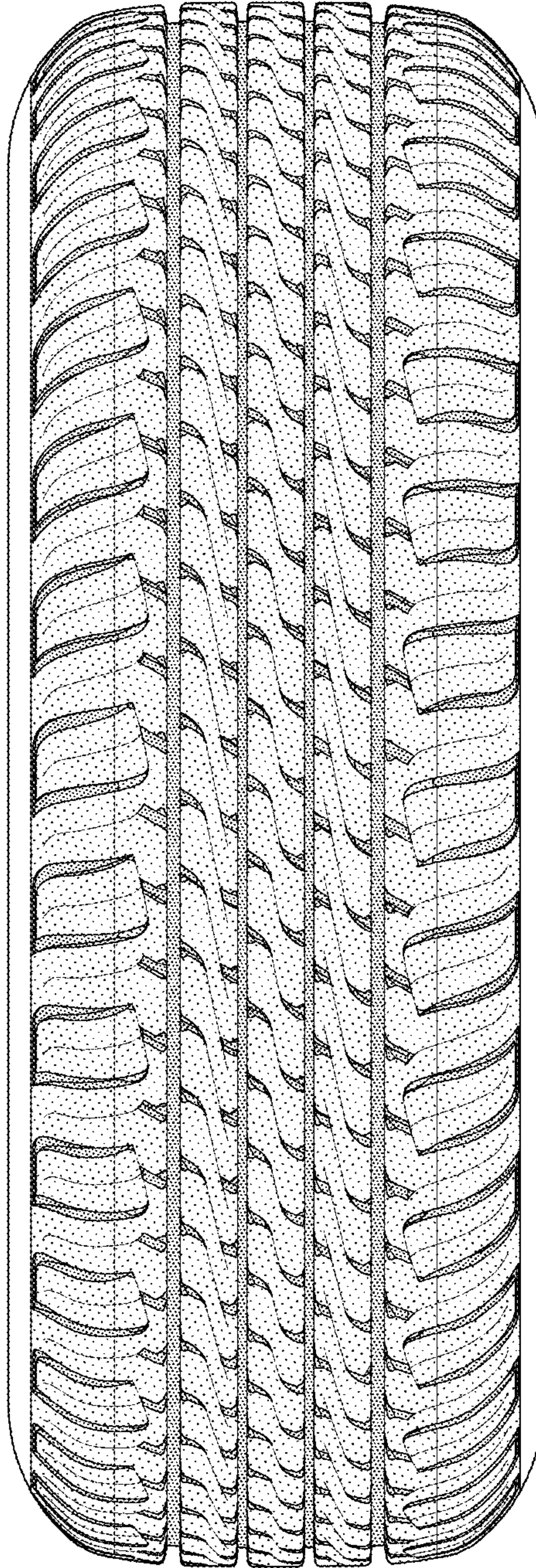


FIG-6