



US00D810670S

(12) **United States Design Patent**
Farinelle et al.

(10) **Patent No.:** **US D810,670 S**

(45) **Date of Patent:** **** Feb. 20, 2018**

(54) **TIRE**

(71) Applicant: **The Goodyear Tire & Rubber Company, Akron, OH (US)**

(72) Inventors: **Corentin Eric Ghislain Farinelle, Breuvanne (BE); Jean-Julien Edouard Ghislain Krier, Bastogne (BE); Daniel Scheuren, Arlon (BE); Georges Gaston Feider, Bettborn (LU)**

(73) Assignee: **The Goodyear Tire & Rubber Company, Akron, OH (US)**

(**) Term: **15 Years**

(21) Appl. No.: **29/585,973**

(22) Filed: **Nov. 30, 2016**

(51) **LOC (11) Cl.** **12-15**

(52) **U.S. Cl.**
USPC **D12/579; D12/588**

(58) **Field of Classification Search**
USPC D12/579, 586, 587, 588, 589, 590, 594, D12/600, 601
CPC B60C 11/03; B60C 2011/0386; B60C 2011/0388; B60C 11/04
See application file for complete search history.

(56) **References Cited**

U.S. PATENT DOCUMENTS

D141,821 S *	7/1945	Walker	D12/589
D224,577 S *	8/1972	Hammond	D12/589
D259,112 S *	5/1981	Candiliotis	D12/587
D311,888 S *	11/1990	Guermadi	D12/595
D312,993 S *	12/1990	Guermadi	D12/595
D340,436 S	10/1993	Baus	D12/146
D385,519 S	10/1997	de Briey-Terlinden et al.	D12/147
D388,033 S	12/1997	Scheuren et al.	D12/146
D397,970 S	9/1998	Le et al.	D12/147
D412,302 S	7/1999	Rayman et al.	D12/146

D420,630 S	2/2000	De Coninck et al.	D12/147
D456,766 S	5/2002	Warchol et al.	D12/579
D461,765 S *	8/2002	Nonaka	D12/594
D467,865 S *	12/2002	Comps	D12/594
D481,990 S *	11/2003	Hanna	D12/579
D492,643 S	7/2004	Robert	D12/579
D549,157 S	8/2007	Maus et al.	D12/544
D549,163 S	8/2007	Maus et al.	D12/579

(Continued)

Primary Examiner — Robert M. Spear

(74) *Attorney, Agent, or Firm* — Robert N. Lipsik

(57) **CLAIM**

The ornamental design for a tire, as shown and described.

DESCRIPTION

FIG. 1 is a perspective view of a tire showing our new design, it being understood that the pattern repeats uniformly throughout the circumference of the tread;

FIG. 2 is a front elevational view thereof;

FIG. 3 is a right side elevational view thereof; the left side elevational view being identical thereto;

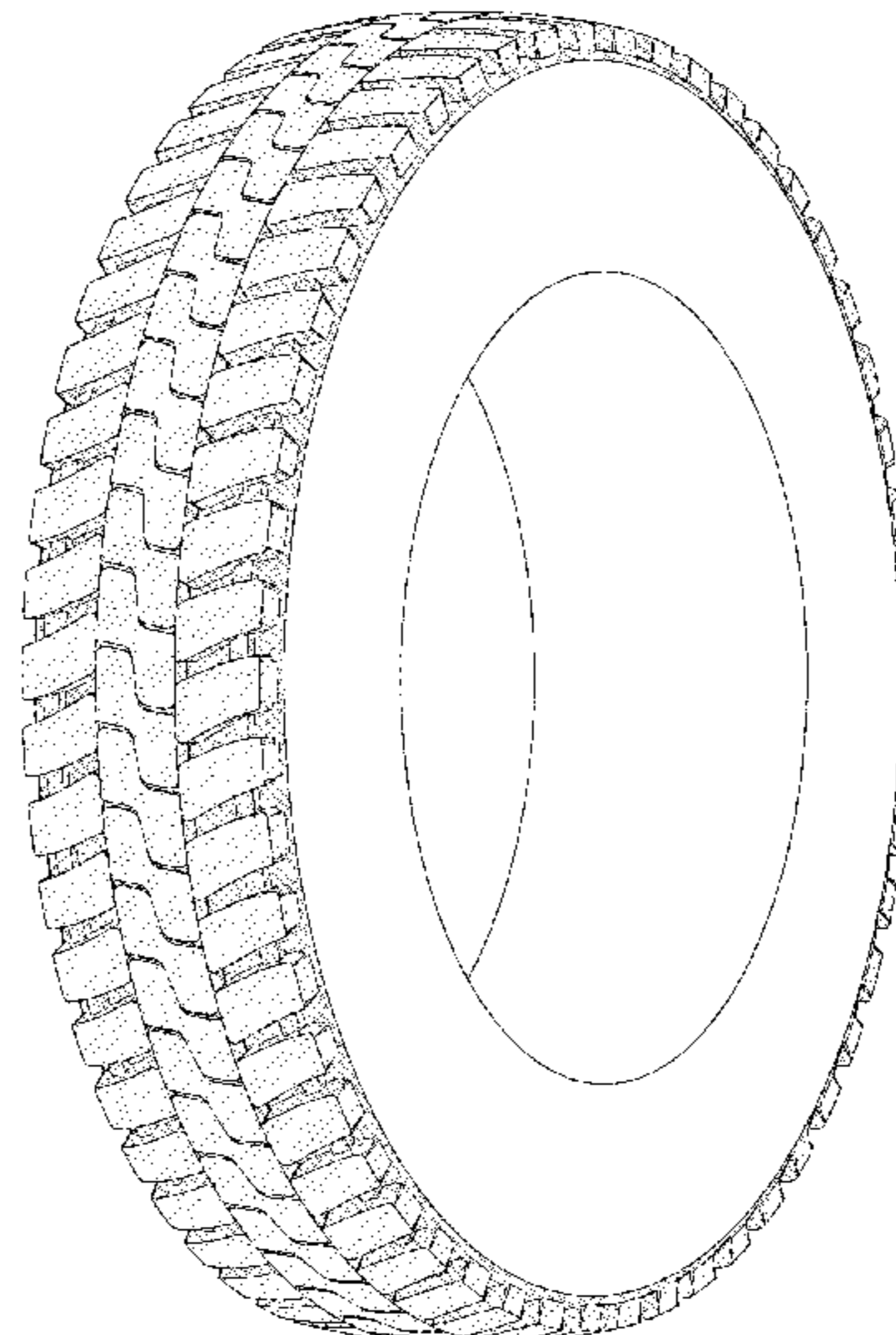
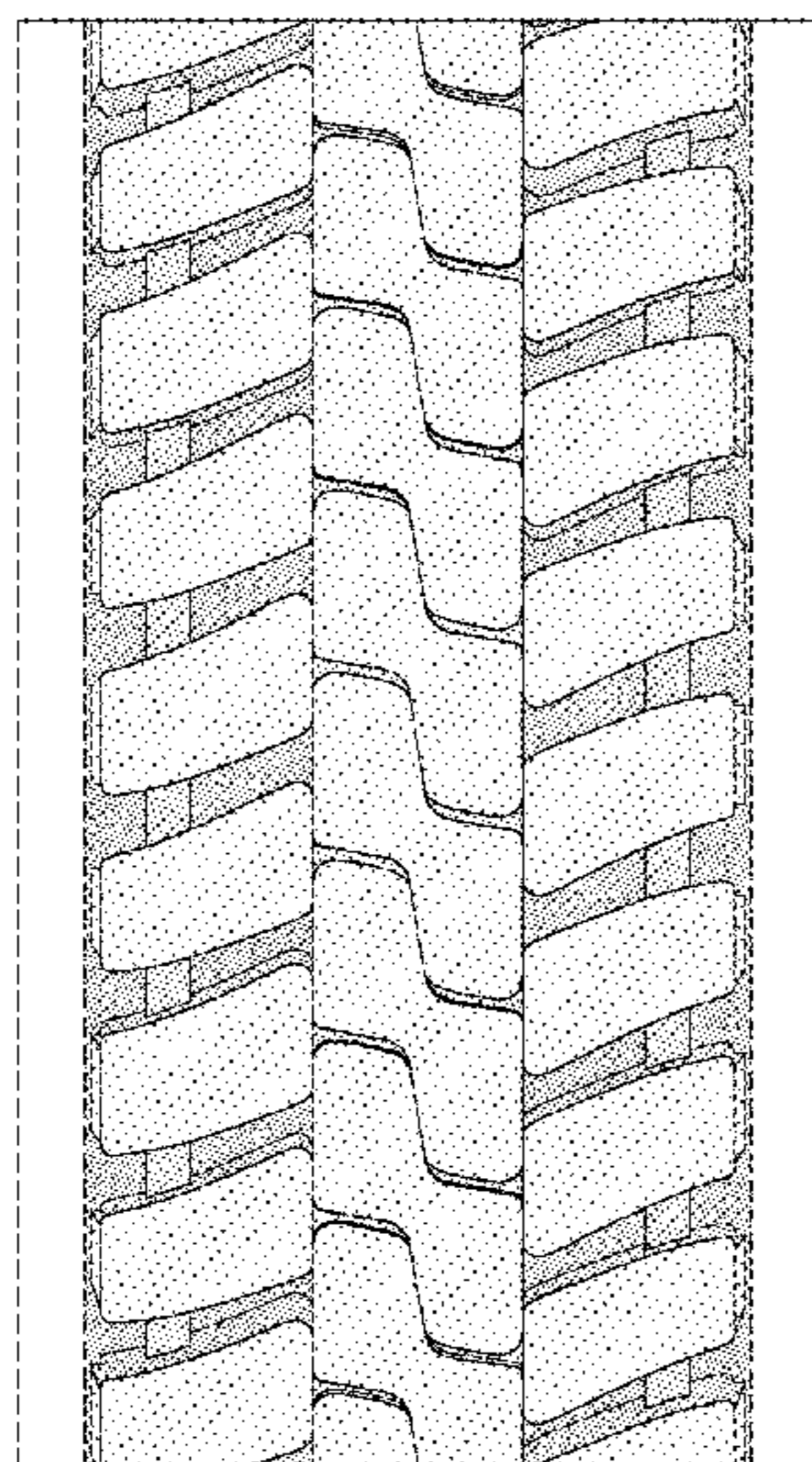
FIG. 4 is an enlarged fragmentary front elevational view thereof;

FIG. 5 is a perspective view of a second embodiment of a tire showing our new design, it being understood that the pattern repeats uniformly throughout the circumference of the tread and that the opposite side view is identical thereto; and,

FIG. 6 is a front elevational view of a second embodiment, it being understood that an enlarged fragmentary view thereof would be substantially identical to that shown in FIG. 4, with the exception of the inclusion of the sidewall in solid lines.

In the drawings, the broken lines showing of the sidewall, inner bead and the peripheral boundary between the tire tread and the sidewall in FIGS. 1 through 4 depict environmental subject matter and form no part of the claimed design.

1 Claim, 6 Drawing Sheets



(56)

References Cited

U.S. PATENT DOCUMENTS

D599,731 S	9/2009	Scheuren	D12/566
D601,950 S *	10/2009	Pressley	D12/588
D606,929 S	12/2009	Song	D12/579
D609,629 S *	2/2010	Takada	D12/579
D610,075 S *	2/2010	Song	D12/593
D612,800 S	3/2010	Lundgren et al.	D12/579
D620,428 S	7/2010	Rayman	D12/579
D622,211 S	8/2010	Maus et al.	D12/579
D627,709 S	11/2010	Harvey et al.	D12/579
D634,266 S	3/2011	Shan et al.	D12/599
D634,701 S	3/2011	Shan et al.	D12/599
D648,674 S *	11/2011	Mayni	D12/600
D656,085 S	3/2012	Maus et al.	D12/544
D661,246 S *	6/2012	Ono	D12/600
D662,038 S *	6/2012	Mayni	D12/600
D684,523 S	6/2013	Scheuren et al.	D12/564
D731,406 S *	6/2015	Yamaguchi	D12/600
D735,118 S	7/2015	Dixon et al.	D12/578
D735,119 S	7/2015	Hermann et al.	D12/578
D760,156 S *	6/2016	Fontaine	D12/601
D764,395 S *	8/2016	Yamaguchi	D12/600
D764,396 S *	8/2016	Yamaguchi	D12/600
D765,020 S *	8/2016	Yamaguchi	D12/600
D765,021 S *	8/2016	Yamaguchi	D12/600
D765,022 S *	8/2016	Yamaguchi	D12/600
D766,170 S *	9/2016	Yamaguchi	D12/600
D785,554 S *	5/2017	Krier	D12/588

* cited by examiner

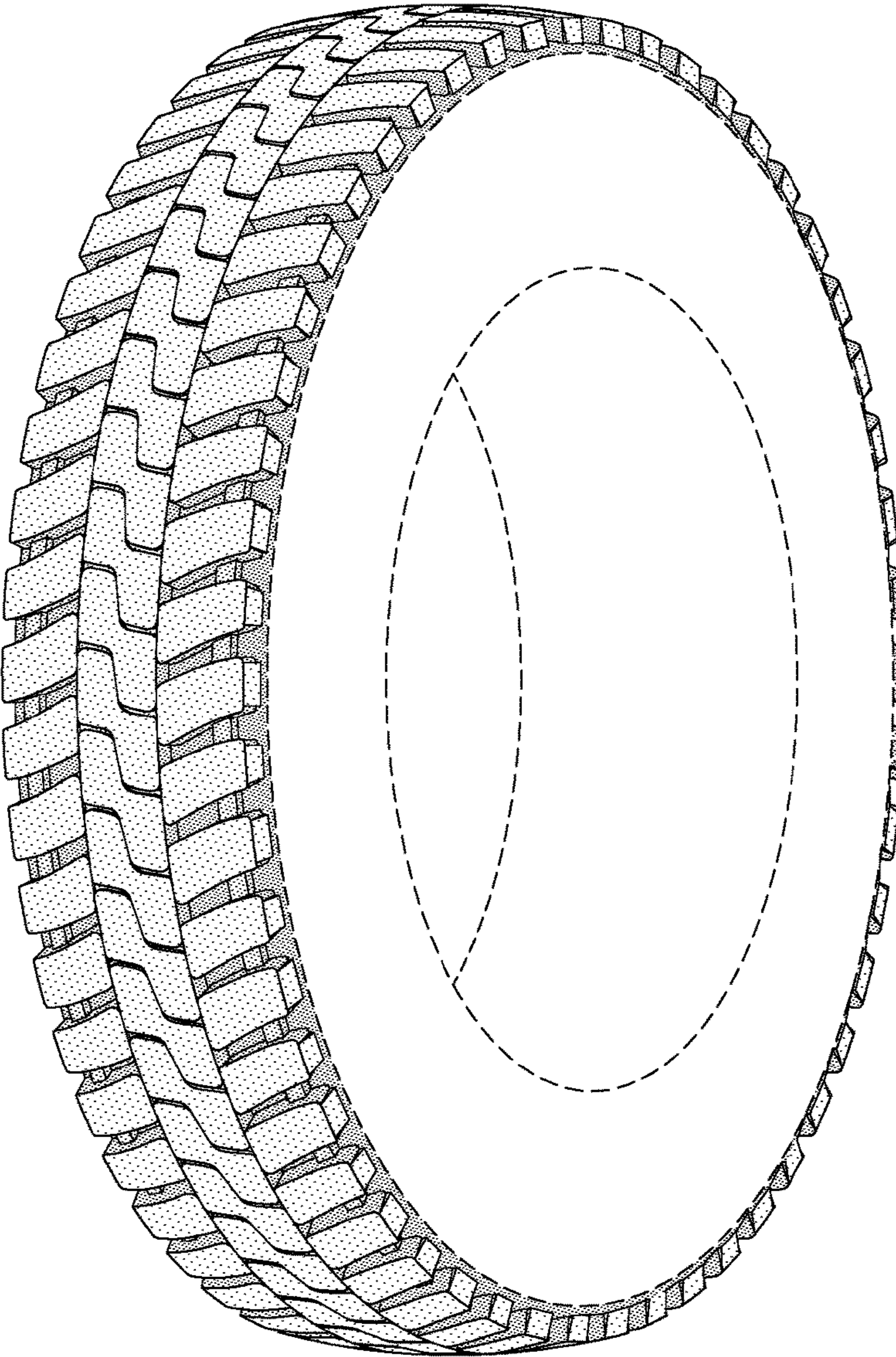


FIG-1

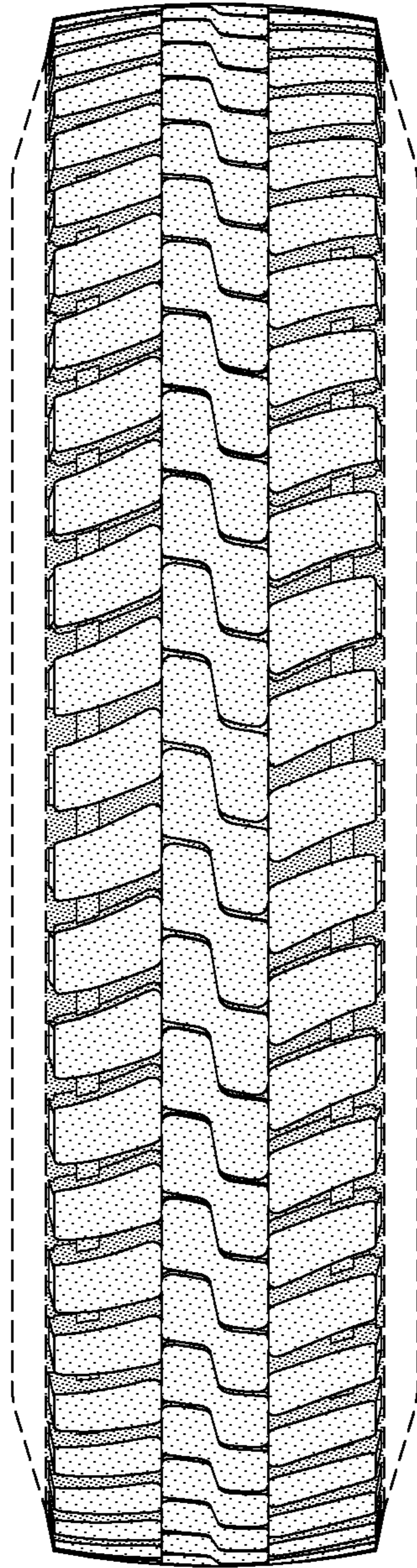


FIG-2

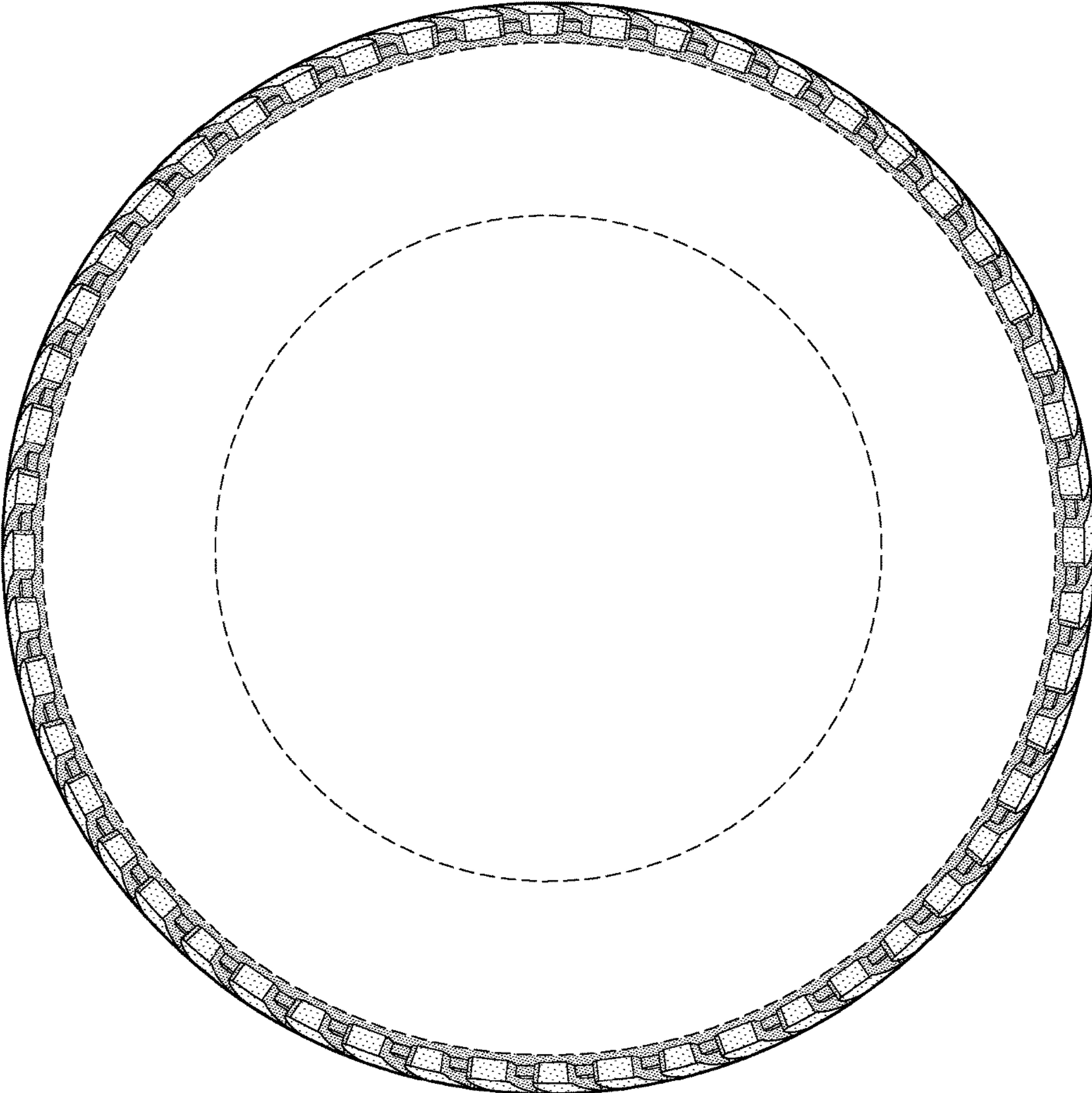


FIG-3

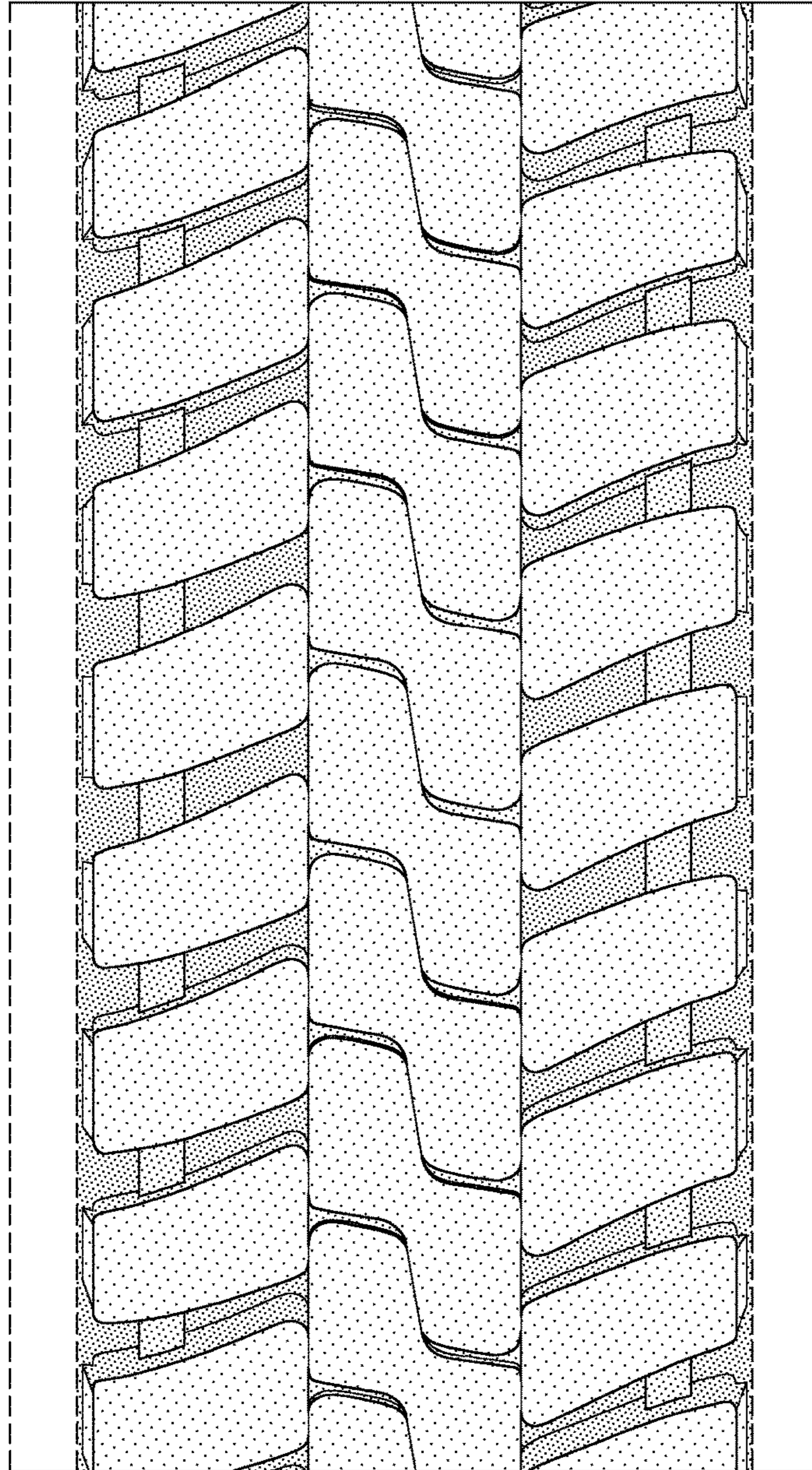


FIG-4

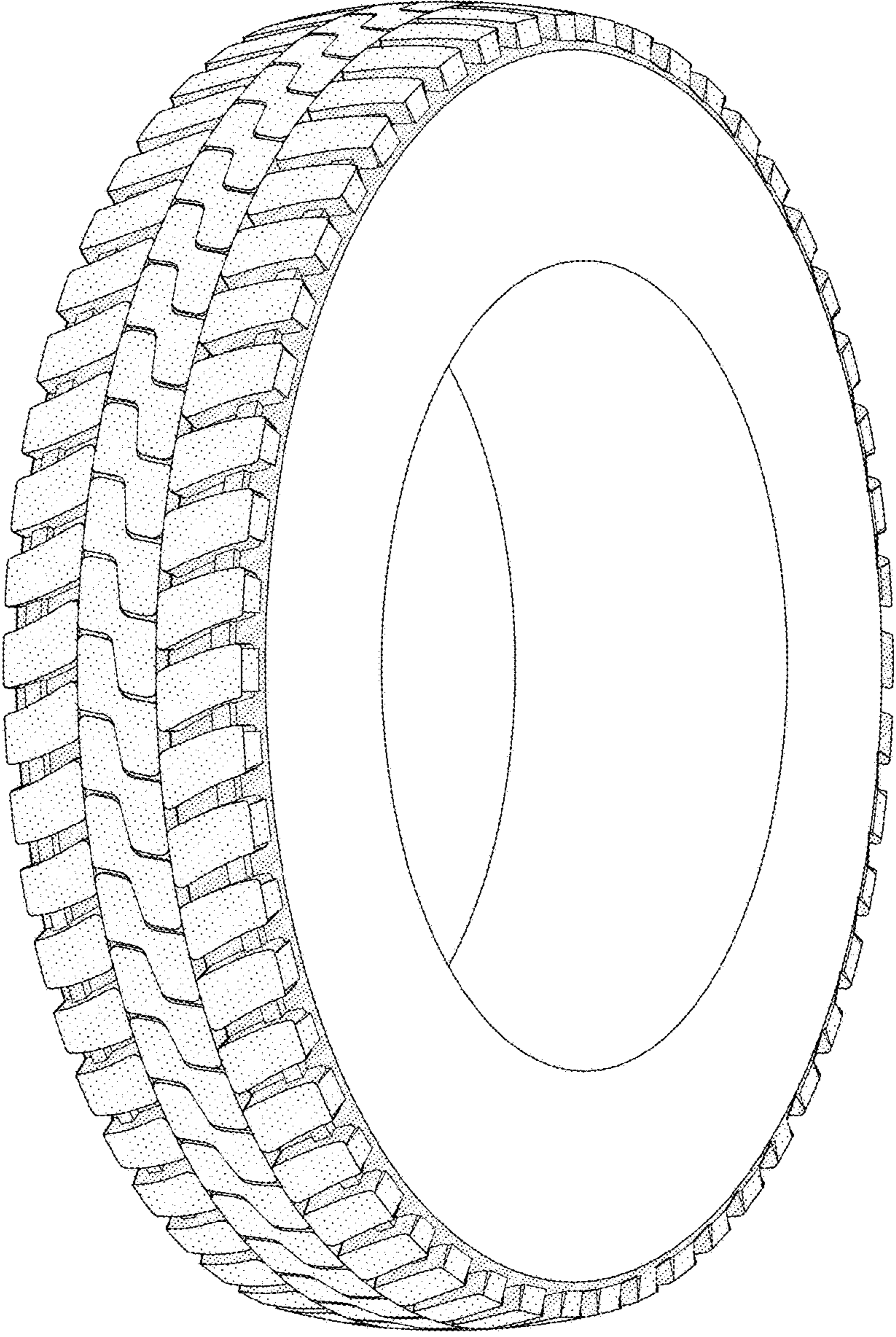


FIG-5

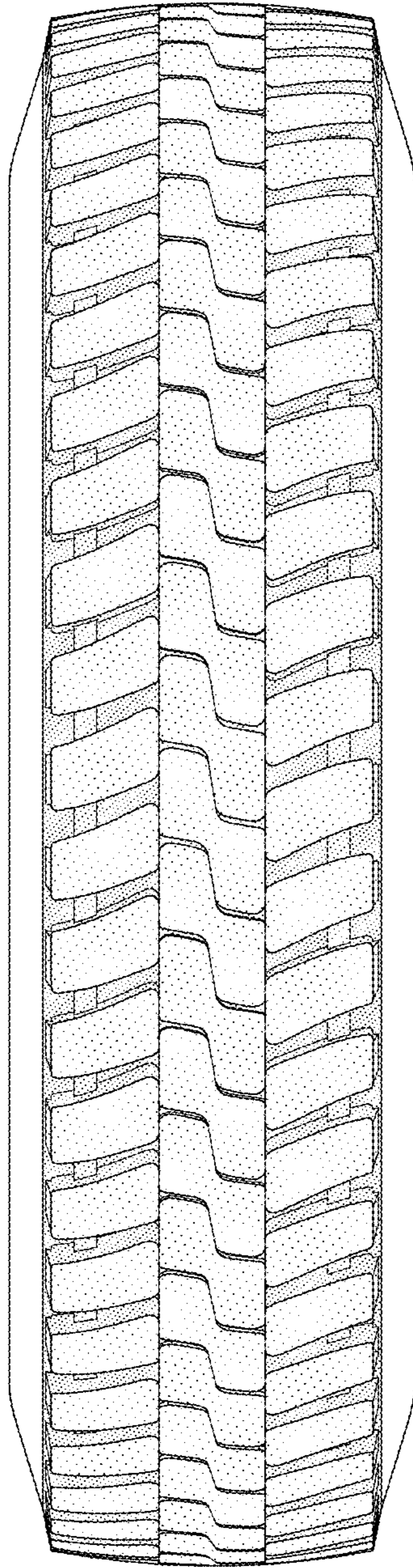


FIG-6