



US00D810656S

(12) **United States Design Patent** (10) **Patent No.:** **US D810,656 S**
Baker (45) **Date of Patent:** **** Feb. 20, 2018**

(54) **KICK MAT**

(71) Applicant: **Ross Baker Consulting Co. Inc.**,
Byron Center, MI (US)

(72) Inventor: **Ross Baker**, Byron Center, MI (US)

(73) Assignee: **Ross Baker Consulting Co. Inc.**,
Byron Center, MI (US)

(**) Term: **15 Years**

(21) Appl. No.: **29/585,469**

(22) Filed: **Nov. 23, 2016**

(51) **LOC (11) Cl.** **12-16**

(52) **U.S. Cl.**
USPC **D12/416**

(58) **Field of Classification Search**
USPC D12/415-420, 400, 195, 191, 106, 345,
D12/96, 99; D6/611
CPC B60R 7/043
See application file for complete search history.

(56) **References Cited**

U.S. PATENT DOCUMENTS

D506,434 S *	6/2005	Ling	D12/416
D515,497 S *	2/2006	Watson	D12/416
D532,510 S *	11/2006	Pickett	D23/411
D538,220 S *	3/2007	Eskandry	D12/416
D539,037 S *	3/2007	Bergh	D12/416
D654,424 S *	2/2012	Vadala	D12/416
D658,568 S *	5/2012	Currier	D12/416
8,556,338 B1	10/2013	Gore et al.		
D771,546 S *	11/2016	Dall'Era	D12/416
D782,957 S *	4/2017	Dall'Era	D12/416
D784,908 S *	4/2017	Kalchuri	D12/416

OTHER PUBLICATIONS

Google Images. Google Search for "Headrest hooks" on Oct 12, 2016. Link: https://www.google.com/search?q=headrest+hooks&biw=1366&bih=638&source=Inms&tbn=isch&sa=X&ved=0ahUKEwjkv-yY87_QAhVO0GMKHRo7BbsQ_AUIBygC.
Online Listing: Shunwei Car Seat Headrest Hanging Hooks found on Oct. 12, 2016 Link: <http://www.dx.com/p/shunwei-sd-2504-car-seat-headrest-hanging-hooks-black-2-pcs-183135#>.
WAUxvOArLIU.

* cited by examiner

Primary Examiner — Katrina A Betton

(74) *Attorney, Agent, or Firm* — Reem Allos

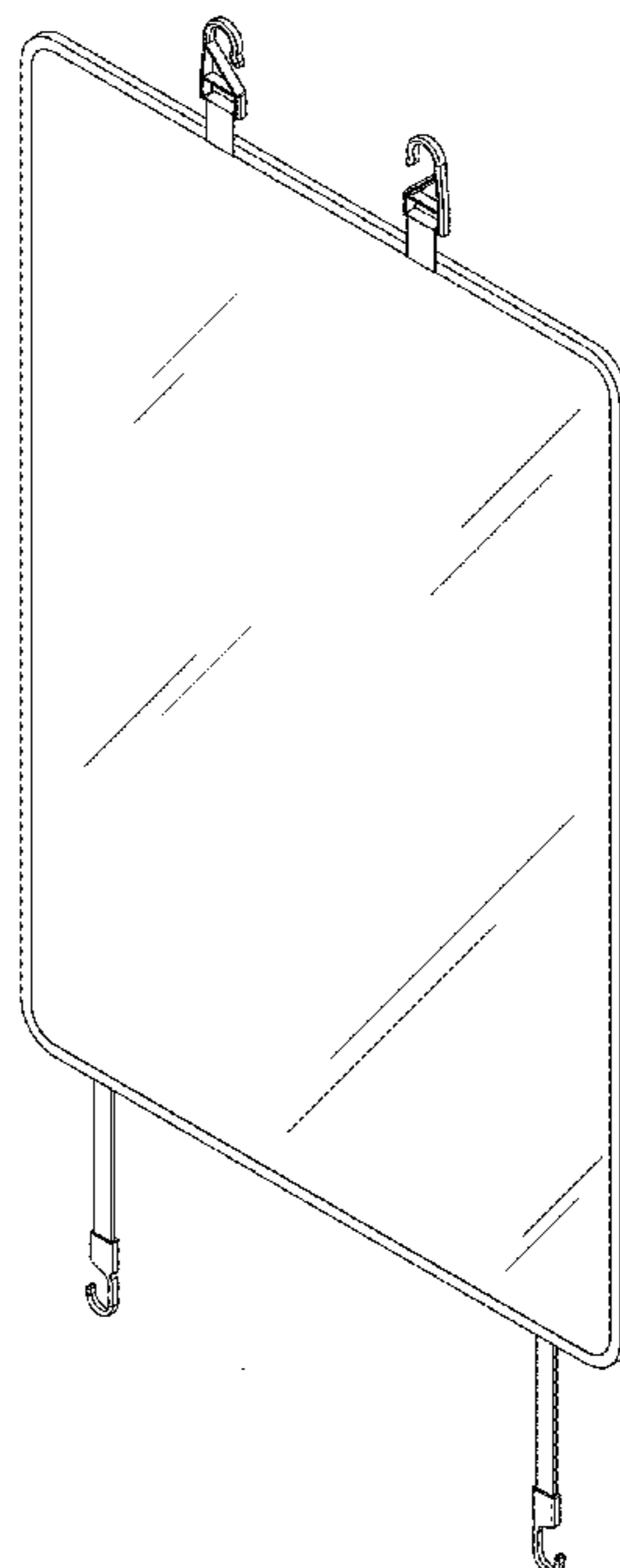
(57) **CLAIM**

The ornamental design for a kick mat, as shown and described.

DESCRIPTION

FIG. 1 is a front perspective view of the kick mat showing an embodiment of the new design;
FIG. 2 is a top view thereof;
FIG. 3 is a left side view thereof;
FIG. 4 is a front view thereof;
FIG. 5 is a right side view thereof;
FIG. 6 is a bottom side view thereof; and,
FIG. 7 is an isometric back view thereof.
The broken line disclosure found in FIG. 1 is understood to be for illustrative purposes only and forms no part of the claimed design.

1 Claim, 3 Drawing Sheets



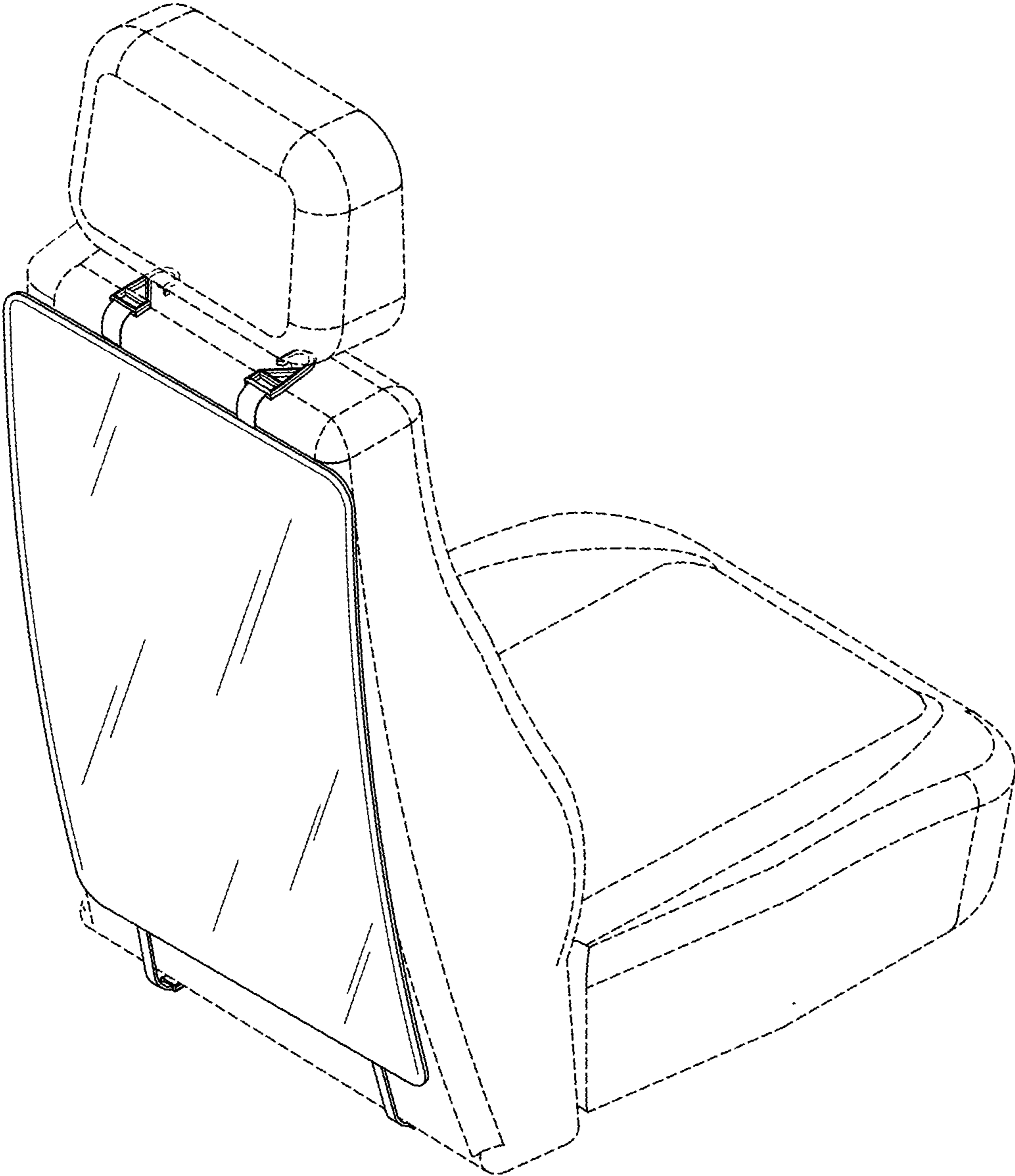


Fig. 1

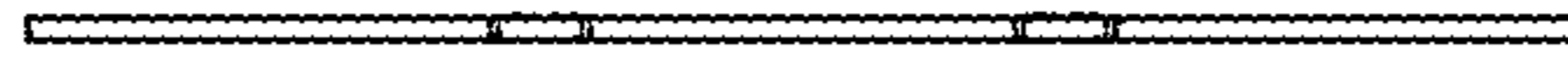


Fig. 2



Fig. 3

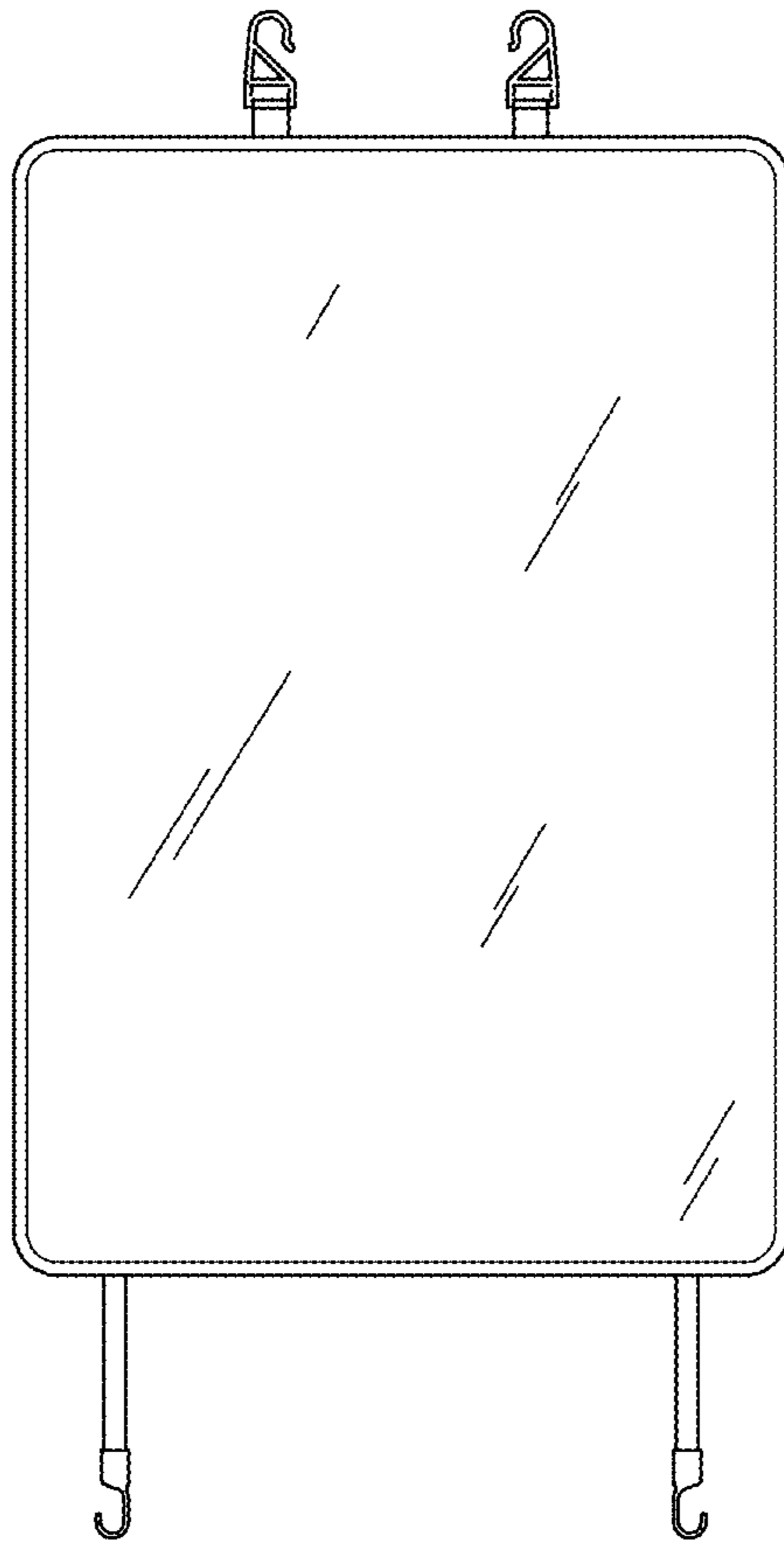


Fig. 4

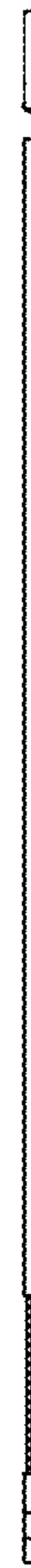


Fig. 5

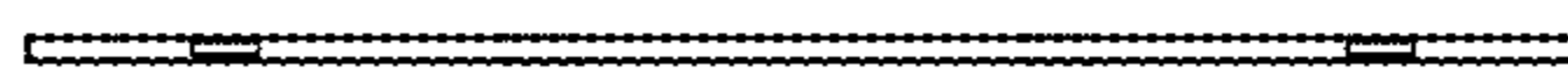


Fig. 6

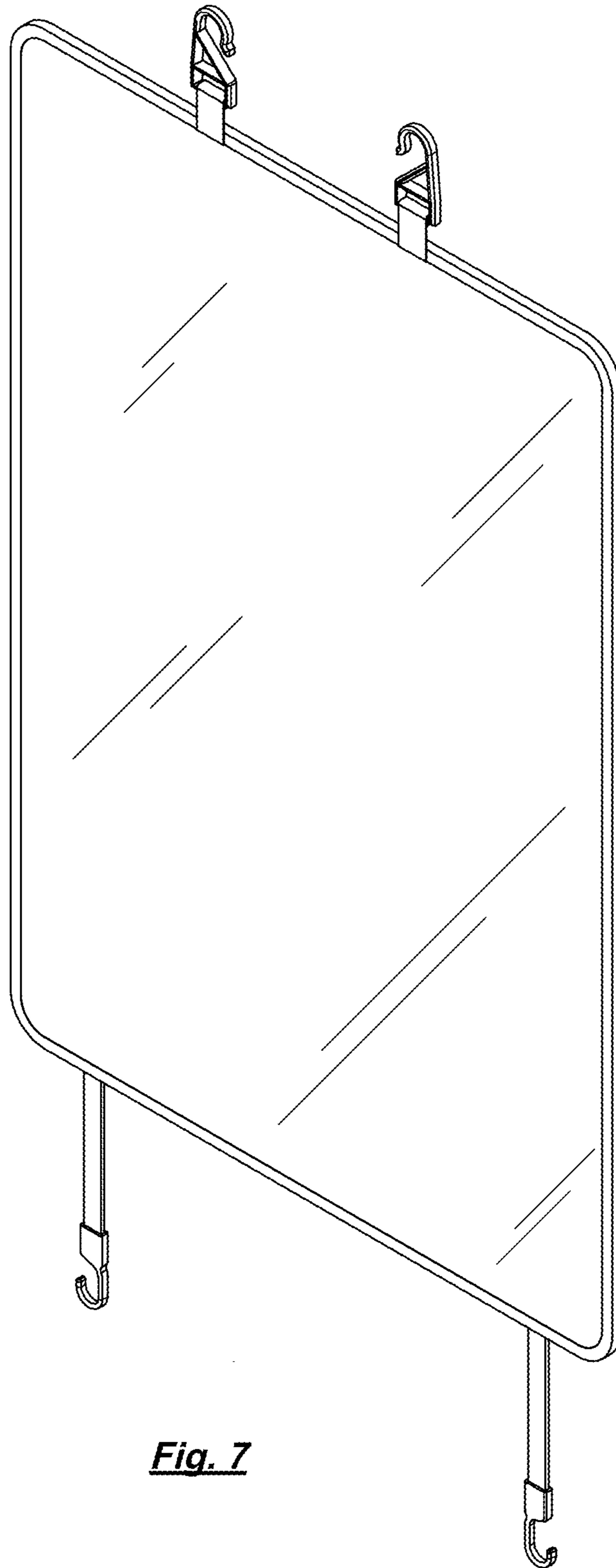


Fig. 7