



US00D810652S

(12) **United States Design Patent** (10) **Patent No.:** **US D810,652 S**
Triantafyllis (45) **Date of Patent:** **** Feb. 20, 2018**

(54) **BOAT INTERCEPTOR TRIM TAB**
(71) Applicant: **N. Triantafyllis Ltd-Olympic Engineering Ltd, Athens (GR)**
(72) Inventor: **Nikolaos Triantafyllis, Athens (GR)**
(73) Assignee: **N. Triantafyllis Ltd-Olympic Engineering Ltd, Athens (GR)**
(**) Term: **14 Years**
(21) Appl. No.: **29/522,038**
(22) Filed: **Mar. 27, 2015**

(30) **Foreign Application Priority Data**
Oct. 22, 2014 (WO) DM 084777
(51) **LOC (11) Cl.** **12-06**
(52) **U.S. Cl.**
USPC **D12/317**
(58) **Field of Classification Search**
USPC D12/300-317
CPC B63B 1/22; B63B 1/285; B63B 1/286;
B63B 1/30; B63B 1/32; B63B 39/06;
B63B 39/061; B63B 39/062; B63B
39/063; B63B 39/065; B63B 39/066;
B63B 39/067; B63B 39/068
See application file for complete search history.

(56) **References Cited**
U.S. PATENT DOCUMENTS
3,760,758 A * 9/1973 Banner B63B 39/061
114/285
6,006,689 A * 12/1999 Olofsson B63B 39/061
114/285
8,622,012 B2 * 1/2014 Olofsson B63B 39/061
114/122
9,032,898 B2 * 5/2015 Widmark B63B 1/32
114/284

9,415,837 B2 * 8/2016 Wendels B63H 25/44
2010/0043691 A1 * 2/2010 Snow B63B 39/061
114/286
2010/0101475 A1 * 4/2010 Mueller B63B 39/061
114/286
2014/0026799 A1 * 1/2014 Kalil B63B 1/22
114/285
2014/0053766 A1 * 2/2014 Widmark B63B 1/32
114/285
2014/0190387 A1 * 7/2014 Snow B63B 1/22
114/285
2014/0318432 A1 * 10/2014 Wendels B63H 25/44
114/285

OTHER PUBLICATIONS

Hydrotab: The Revolutionary Trim System, uploaded on YouTube by user Hydrotab MarineEngineering Jan. 14, 2013; <https://www.youtube.com/watch?v=k7leNp8ZiX0>.*

* cited by examiner

Primary Examiner — Cynthia M Chin
(74) *Attorney, Agent, or Firm* — Oppedahl Patent Law Firm LLC

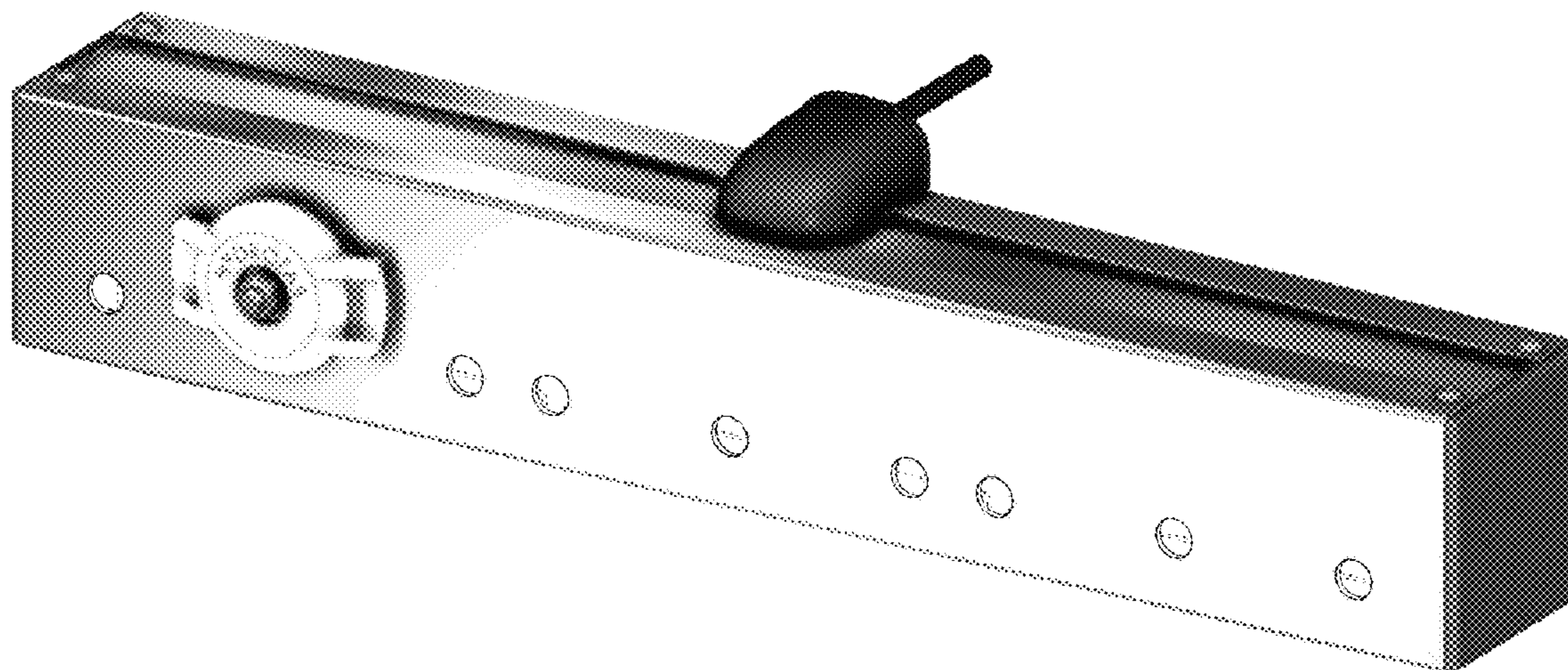
(57) **CLAIM**

The ornamental design for a boat interceptor trim tab, as shown and described.

DESCRIPTION

FIG. 1 is a front right perspective view from above.
FIG. 2 is an enlarged front left perspective view from above.
FIG. 3 is an enlarged left end view.
FIG. 4 is a top view.
FIG. 5 is a bottom view.
FIG. 6 is a direct front view; and,
FIG. 7 is a back view.
The features shown in broken lines in the drawings form no part of the claimed design.

1 Claim, 2 Drawing Sheets



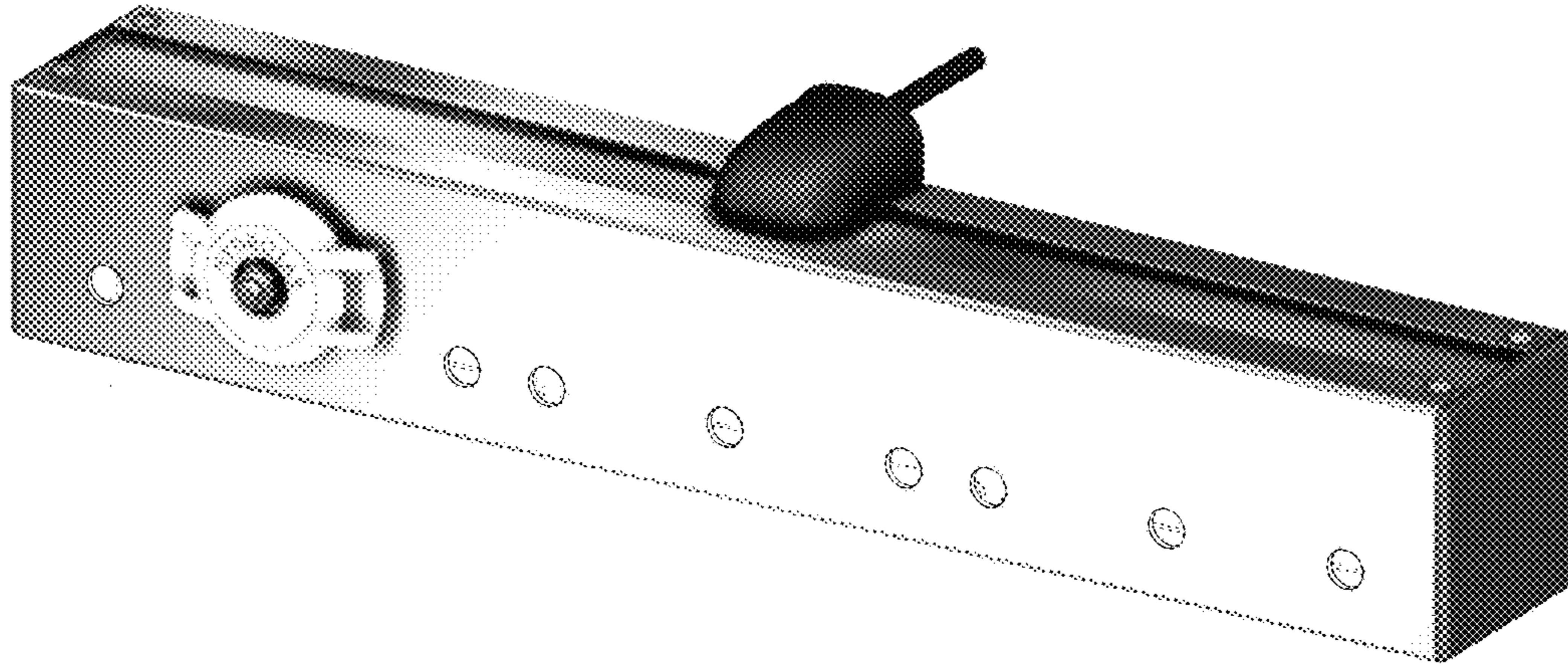


Fig. 1

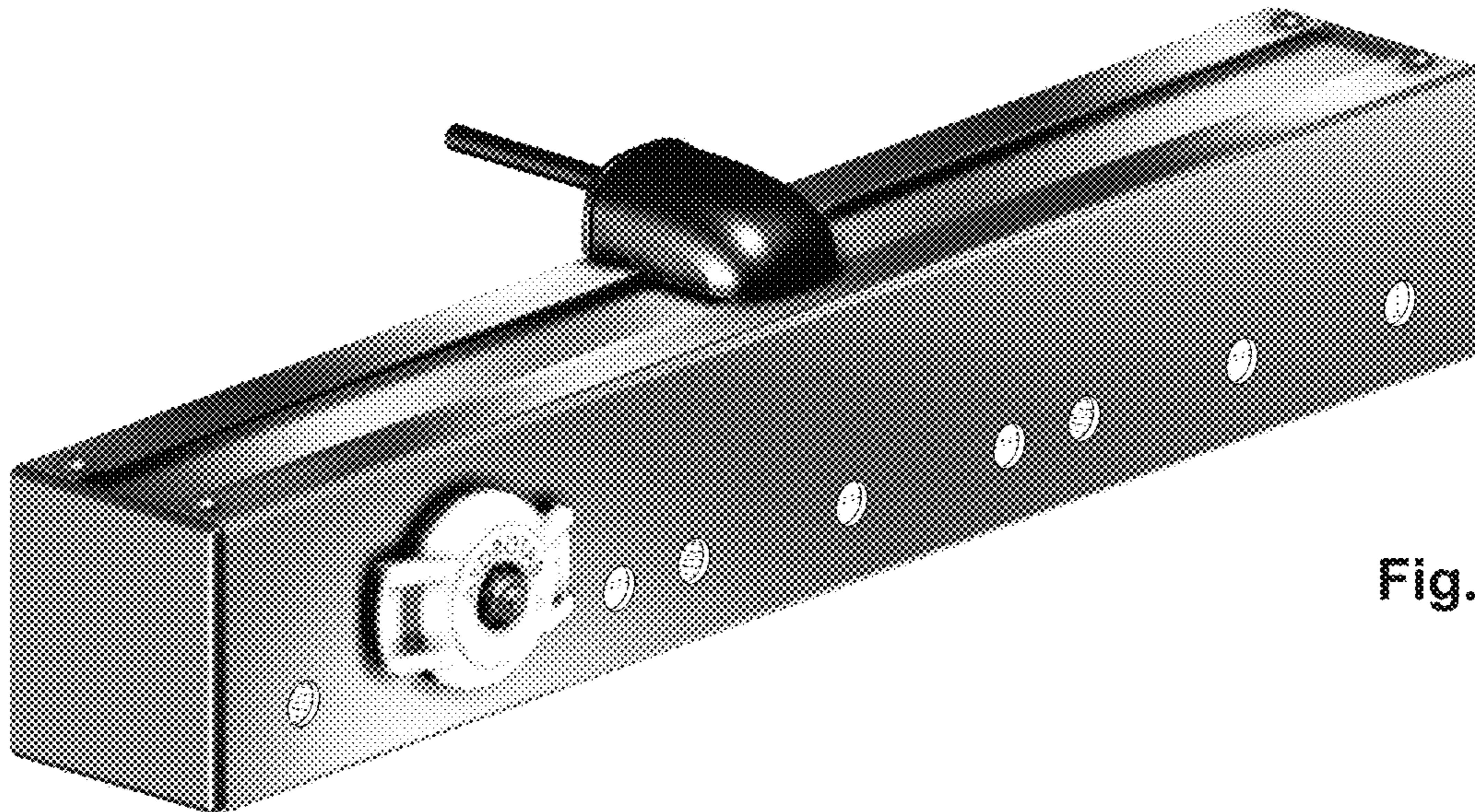


Fig. 2

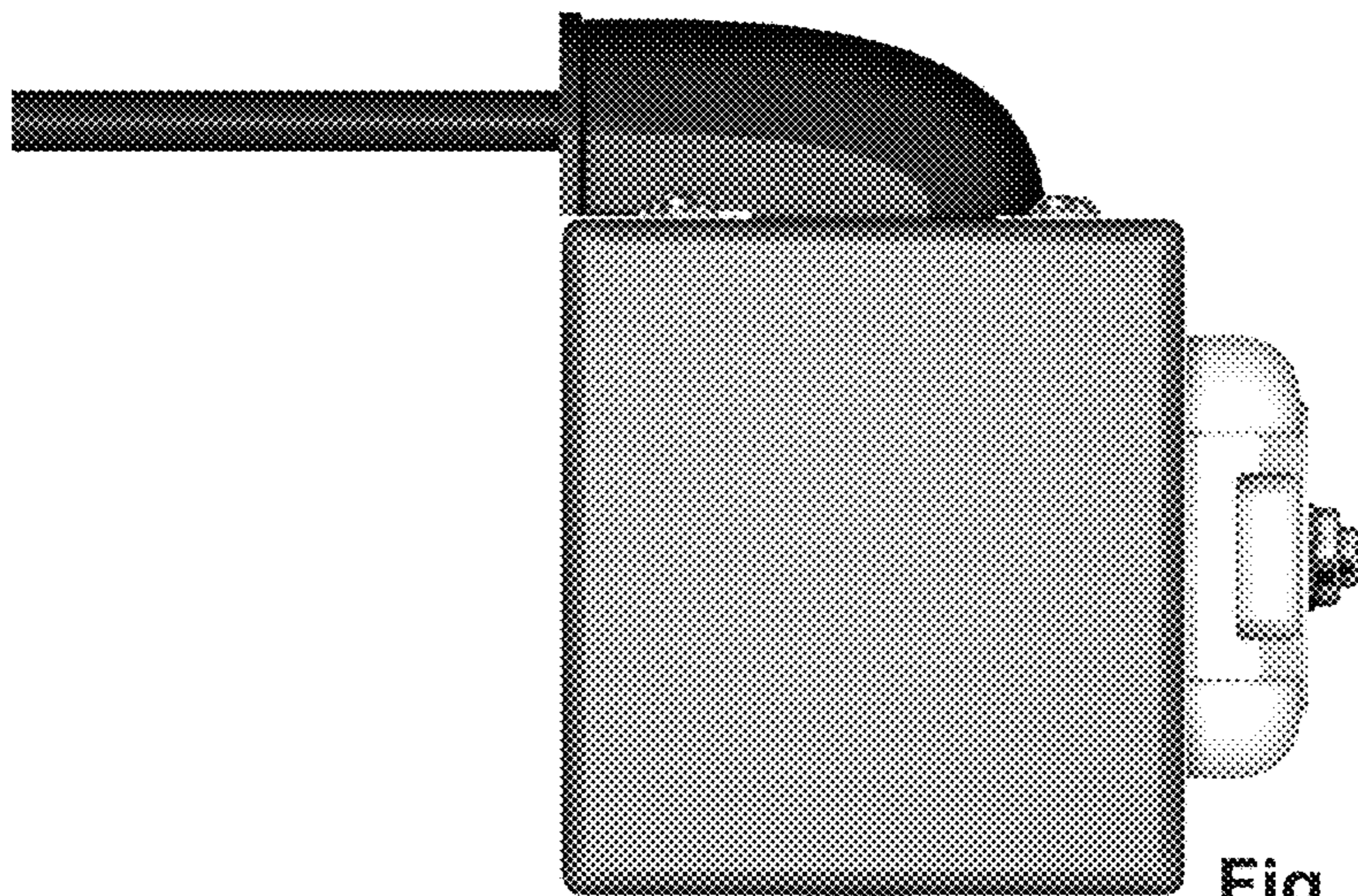


Fig. 3

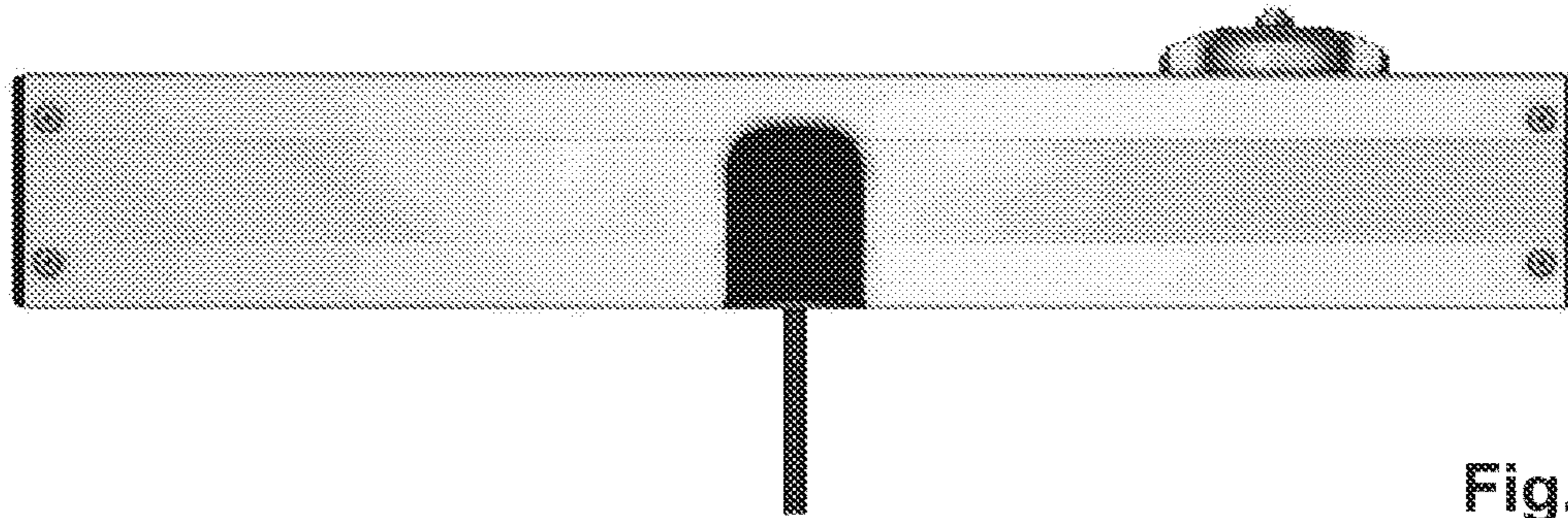


Fig. 4

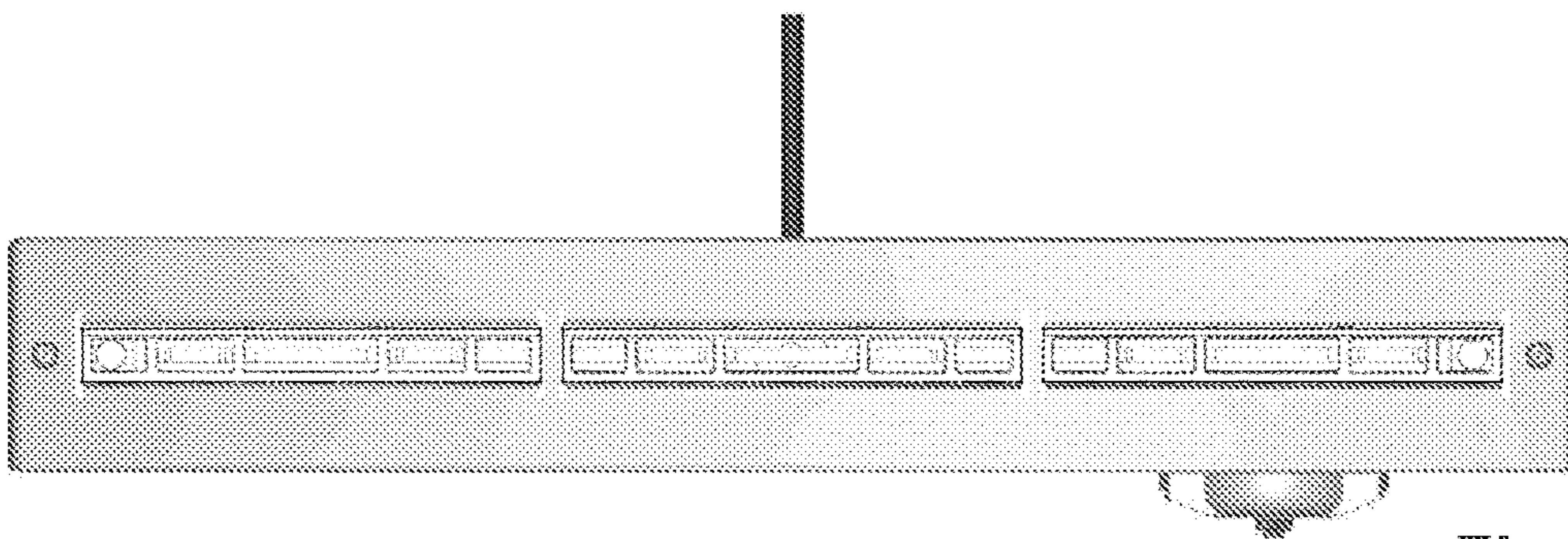


Fig. 5

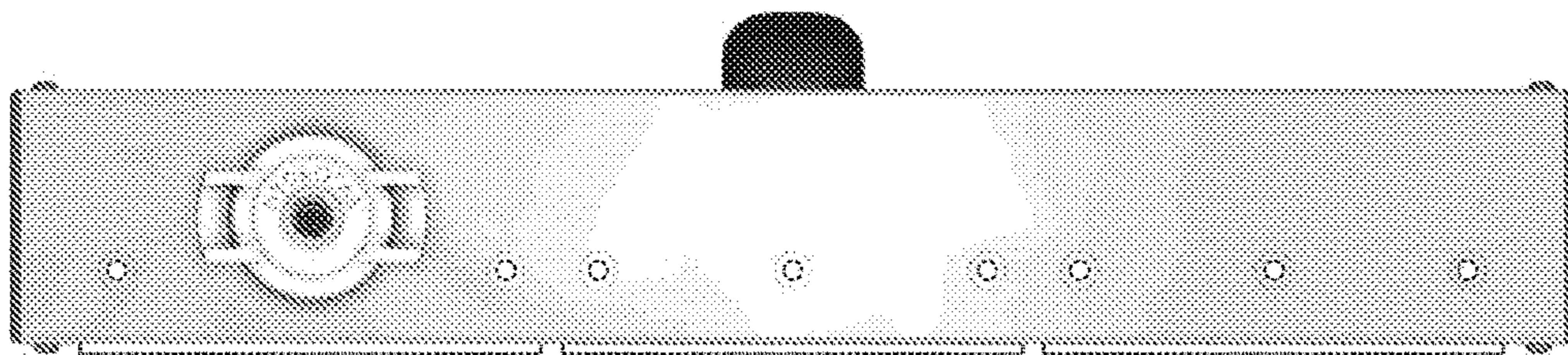


Fig. 6

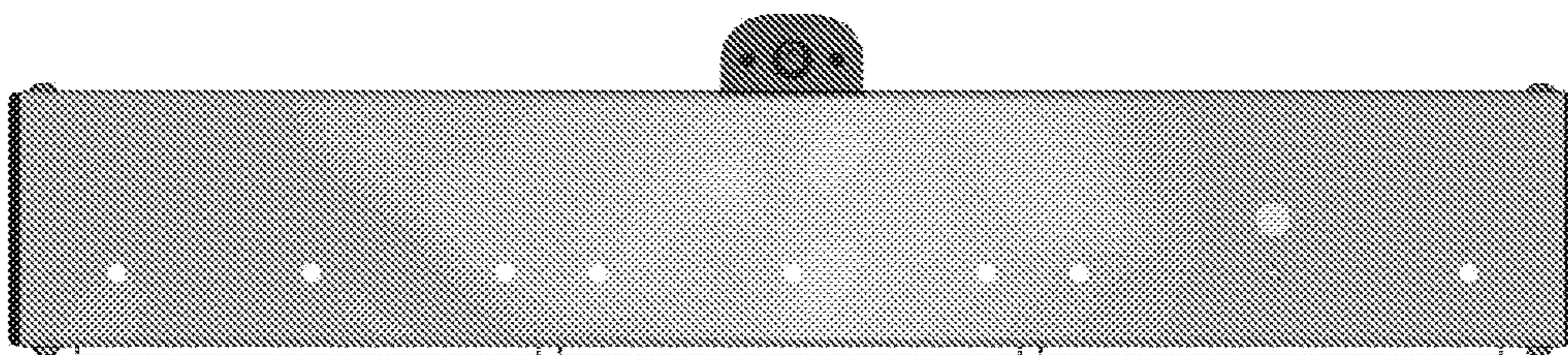


Fig. 7