



US00D810649S

(12) **United States Design Patent**
Lickliter

(10) **Patent No.:** **US D810,649 S**

(45) **Date of Patent:** **** Feb. 20, 2018**

(54) **WHEEL SPOKE**

(71) Applicant: **Wheel Pros, LLC**, Greenwood Village, CO (US)

(72) Inventor: **Hans Lickliter**, Lake Hughes, CA (US)

(**) Term: **15 Years**

(21) Appl. No.: **29/569,083**

(22) Filed: **Jun. 23, 2016**

(51) **LOC (11) Cl.** **12-16**

(52) **U.S. Cl.**
USPC **D12/211**

(58) **Field of Classification Search**
USPC D12/204–213
CPC B60B 7/00; B60B 7/02; B60B 7/04; B60B 7/01; B60B 7/06; B60B 3/02; B60B 3/04; B60B 3/06; B60B 3/10; B60B 1/00; B60B 1/08; B60B 1/10; B60B 1/12
See application file for complete search history.

(56) **References Cited**

U.S. PATENT DOCUMENTS

D273,102 S	3/1984	Woodward	
D291,796 S	9/1987	Reid	
D361,975 S	9/1995	Weld	
D408,775 S	4/1999	Shikado	
D455,698 S	4/2002	Chung	
D467,212 S	12/2002	Noriega	
D470,094 S *	2/2003	van Hooydonk	D12/211
D478,542 S	8/2003	Sulahian	
D480,036 S *	9/2003	Laengerer	D12/211
D482,996 S	12/2003	Sulahian	
D492,925 S	7/2004	Fitzgerald	
D496,317 S	9/2004	Kataoka	
D528,495 S *	9/2006	Truebsbach	D12/211
D542,209 S *	5/2007	Pfeiffer	D12/211
D577,650 S *	9/2008	Chung	D12/211
D579,845 S *	11/2008	Chung	D12/209

D582,831 S *	12/2008	Musser	D12/211
D617,723 S *	6/2010	Zhao	D12/211
D623,109 S *	9/2010	Markefka	D12/209
D635,903 S *	4/2011	Zhang	D12/209
D654,007 S *	2/2012	Nissl	D12/211
D660,771 S *	5/2012	Mueller-Stolz	D12/211
D698,298 S	1/2014	Cortes	
D698,300 S *	1/2014	Chung	D12/211
D704,617 S *	5/2014	Chung	D12/211
D706,197 S *	6/2014	Chung	D12/211
D707,167 S *	6/2014	Chung	D12/209
D709,020 S *	7/2014	Chung	D12/211
D711,304 S	8/2014	Chung	
D713,316 S *	9/2014	Song	D12/211
D714,207 S *	9/2014	Kim	D12/211
D715,211 S	10/2014	Gotschke	
D717,709 S *	11/2014	Valencia Pollex	D12/209
D726,630 S *	4/2015	Kong	D12/211
D731,946 S *	6/2015	Chung	D12/211
D753,046 S *	4/2016	Liffick	D12/209
D766,805 S *	9/2016	Chung	D12/211

(Continued)

Primary Examiner — Sandra Snapp

(74) *Attorney, Agent, or Firm* — Eric Hanscom

(57) **CLAIM**

The ornamental design for a wheel spoke, as shown and described.

DESCRIPTION

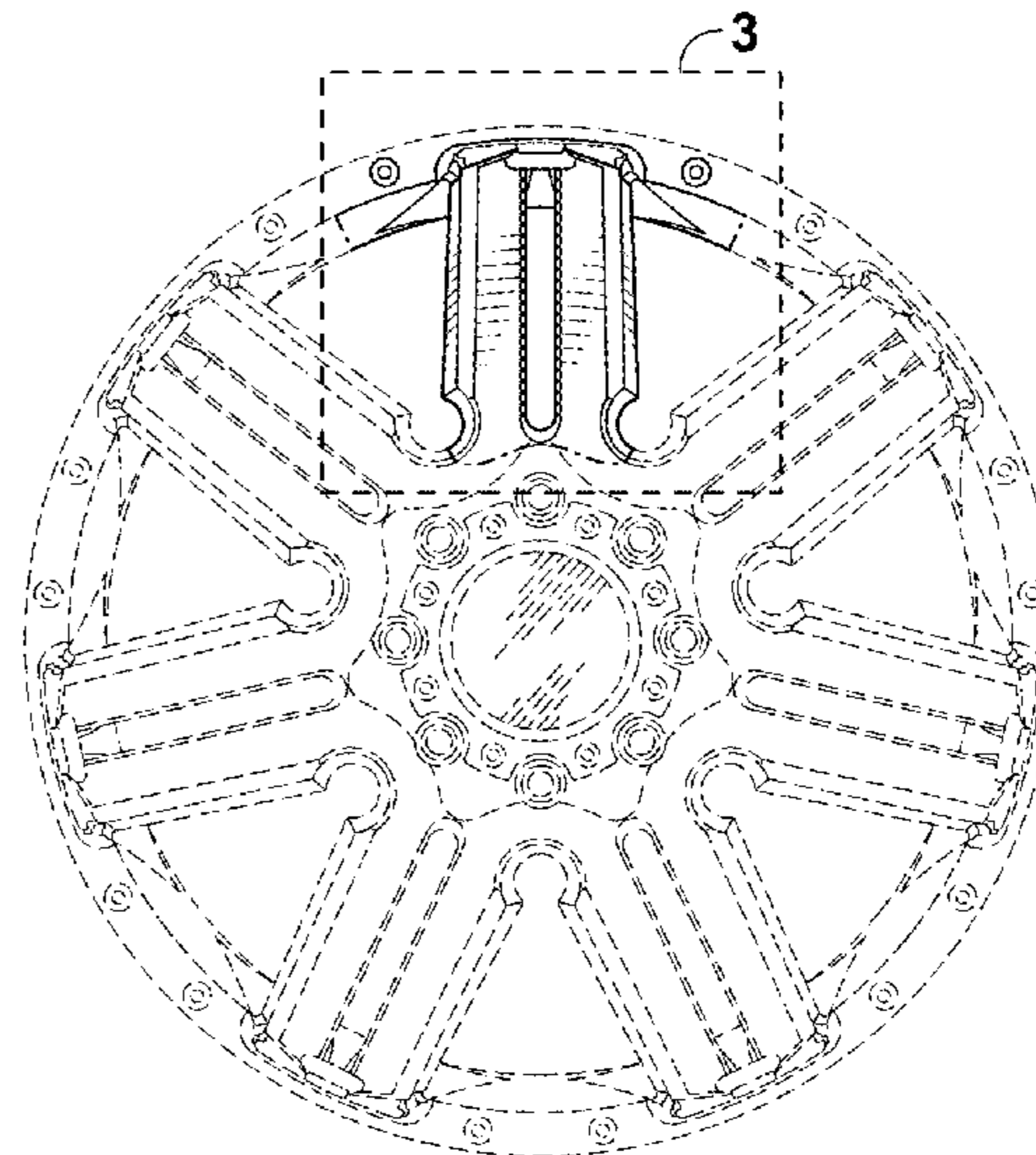
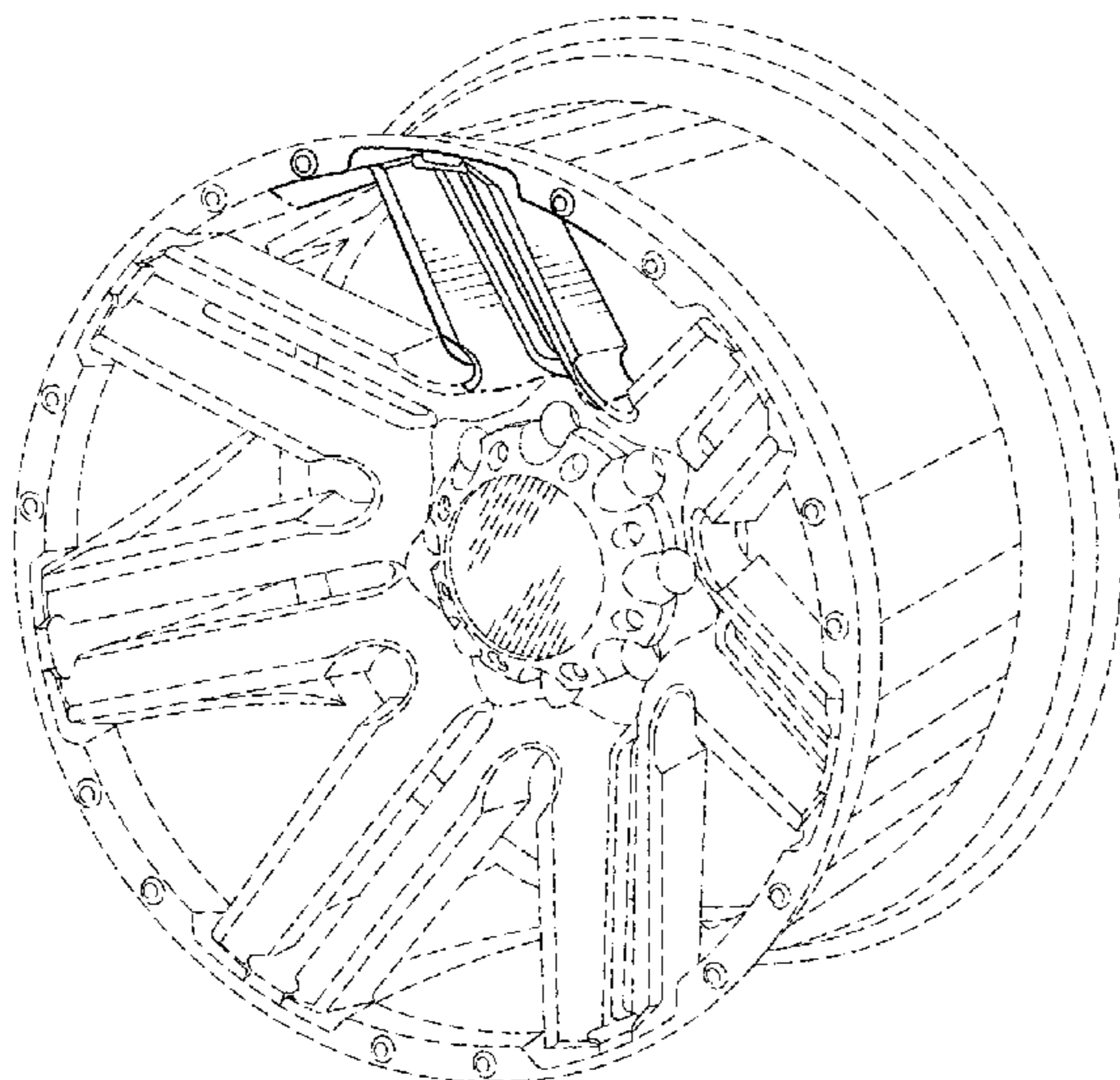
FIG. 1 is a perspective view of a wheel spoke showing my new design;

FIG. 2 is a front view thereof; and,

FIG. 3 is a close-up, front elevation view taken along box 3 in FIG. 2.

In the drawings, broken lines shown in the drawings depict environmental subject matter only and form no part of the claimed design. The dash-dot-dash broken lines define the bounds of the claimed design and form no part thereof.

1 Claim, 3 Drawing Sheets



3

(56)

References Cited

U.S. PATENT DOCUMENTS

D769,785 S	*	10/2016	Wells	D12/211
D770,354 S	*	11/2016	Luke	D12/213
D780,655 S	*	3/2017	Trim	D12/209
D786,165 S	*	5/2017	Hale, Jr.	D12/213
D788,671 S	*	6/2017	Vartola	D12/209

* cited by examiner

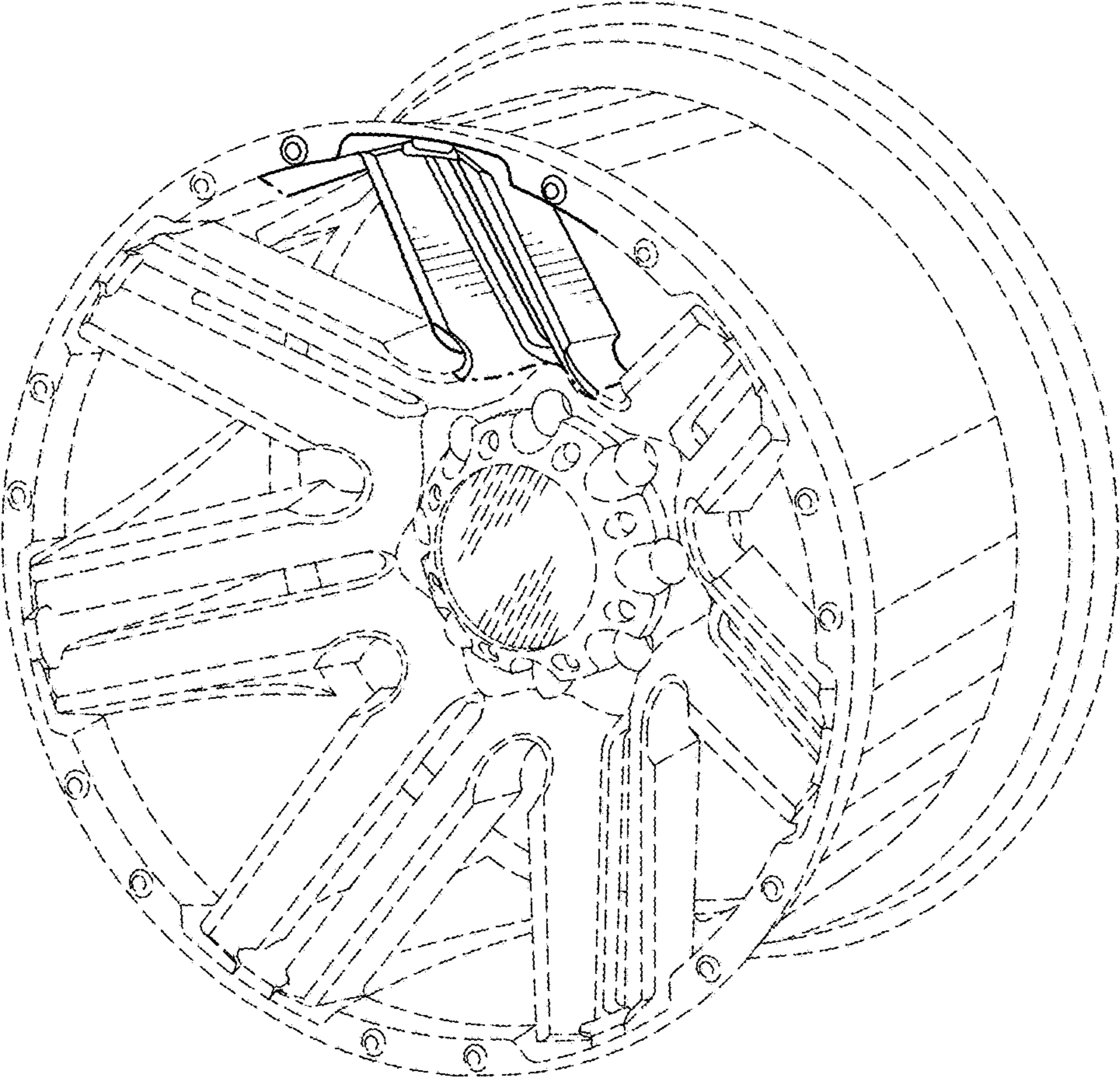


Figure 1

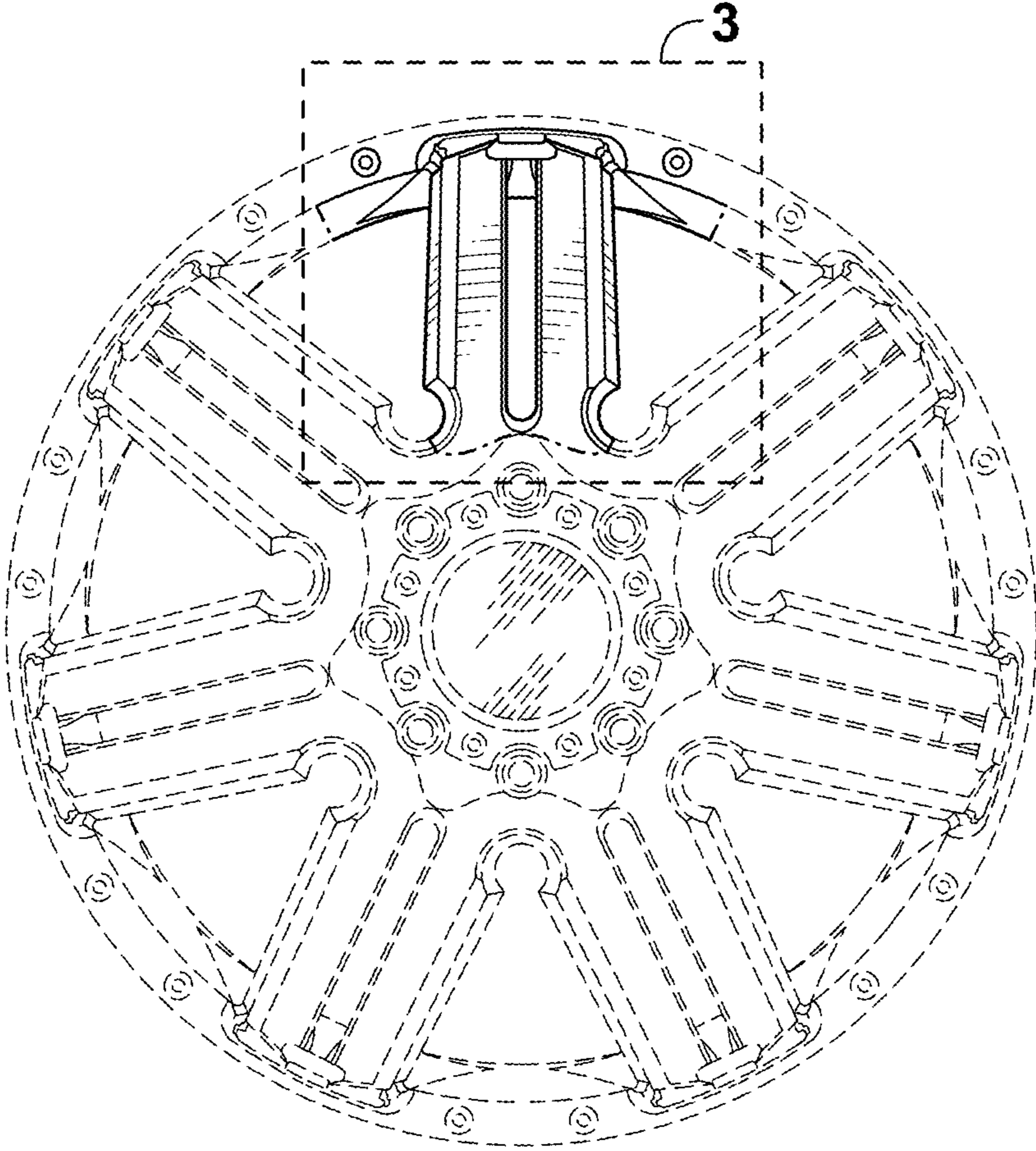


Figure 2

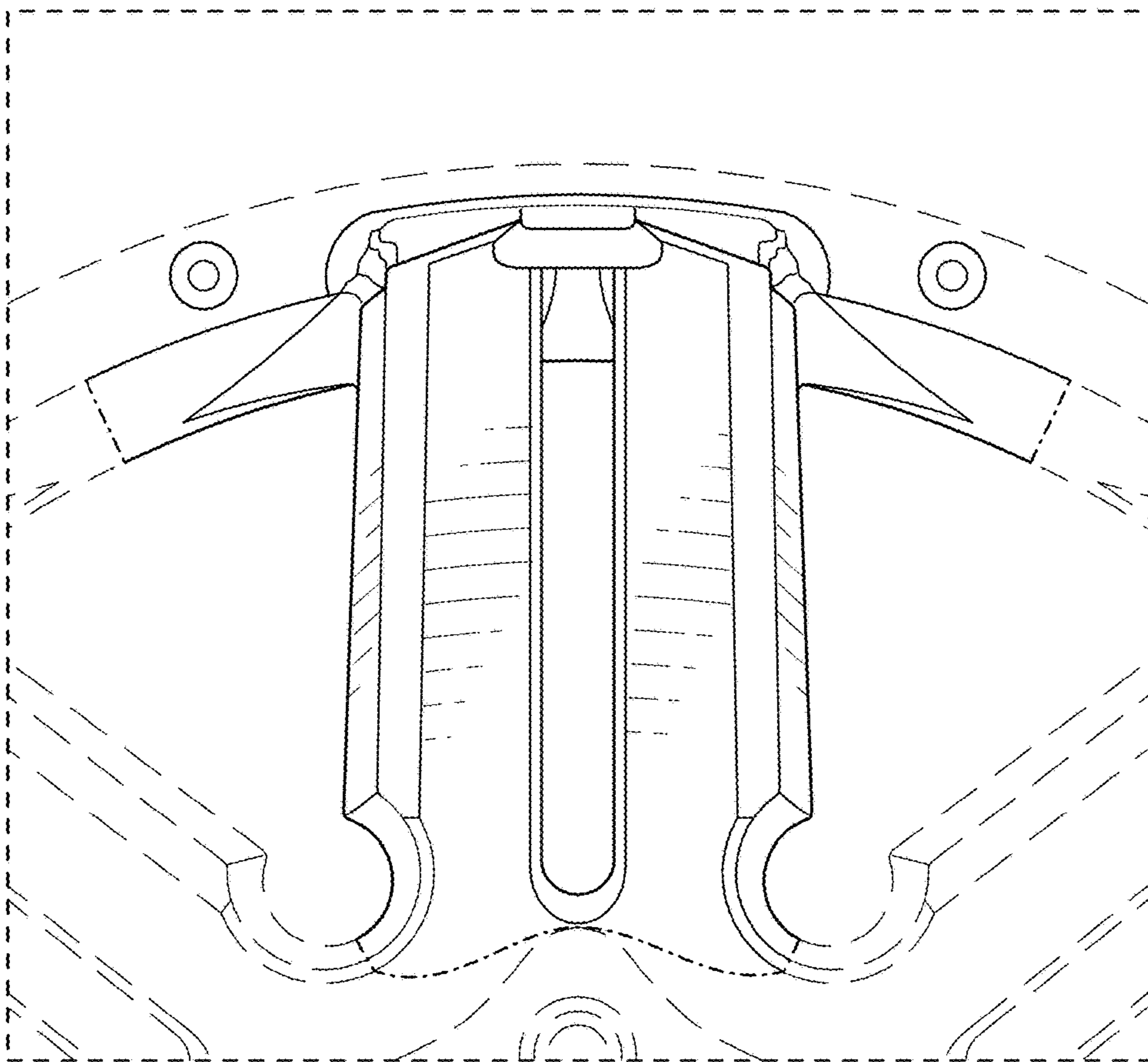


Figure 3