



US00D810648S

(12) **United States Design Patent**
Chung

(10) **Patent No.:** **US D810,648 S**

(45) **Date of Patent:** **** Feb. 20, 2018**

(54) **AUTOMOTIVE WHEEL**

D758,942 S * 6/2016 Zhao D12/208

(71) Applicant: **Suny Chung**, Anaheim, CA (US)

* cited by examiner

(72) Inventor: **Suny Chung**, Anaheim, CA (US)

Primary Examiner — Sandra Snapp

(**) Term: **15 Years**

(57) **CLAIM**

(21) Appl. No.: **29/535,978**

The ornamental design for an automotive wheel, as shown and described.

(22) Filed: **Aug. 12, 2015**

DESCRIPTION

(51) **LOC (11) Cl.** **12-16**

(52) **U.S. Cl.**

USPC **D12/209**

(58) **Field of Classification Search**

USPC D12/204–213

CPC B60B 7/00; B60B 7/02; B60B 7/04; B60B

7/01; B60B 3/02; B60B 3/04; B60B 3/06;

B60B 3/10; B60B 1/00; B60B 1/08;

B60B 1/10; B60B 1/12

See application file for complete search history.

Embodiment 1

FIG. 1 is a perspective view of an automotive wheel, showing my new design, and

FIG. 2 is a front view thereof.

Embodiment 2

FIG. 3 is a perspective view of an automobile wheel, showing my new design with the ornamental attachments; and

FIG. 4 is a front view of FIG. 3.

Embodiment 3

FIG. 5 is a perspective view of an automobile wheel, showing my new design without the center cap and ornamental attachments; and,

FIG. 6 is a front view of FIG. 5.

The broken line showing of the rear portion of the wheel is included for the purpose of illustrating environment and forms no part of the claimed design.

(56) **References Cited**

U.S. PATENT DOCUMENTS

D597,916 S * 8/2009 Chung D12/209

D670,223 S * 11/2012 Chung D12/209

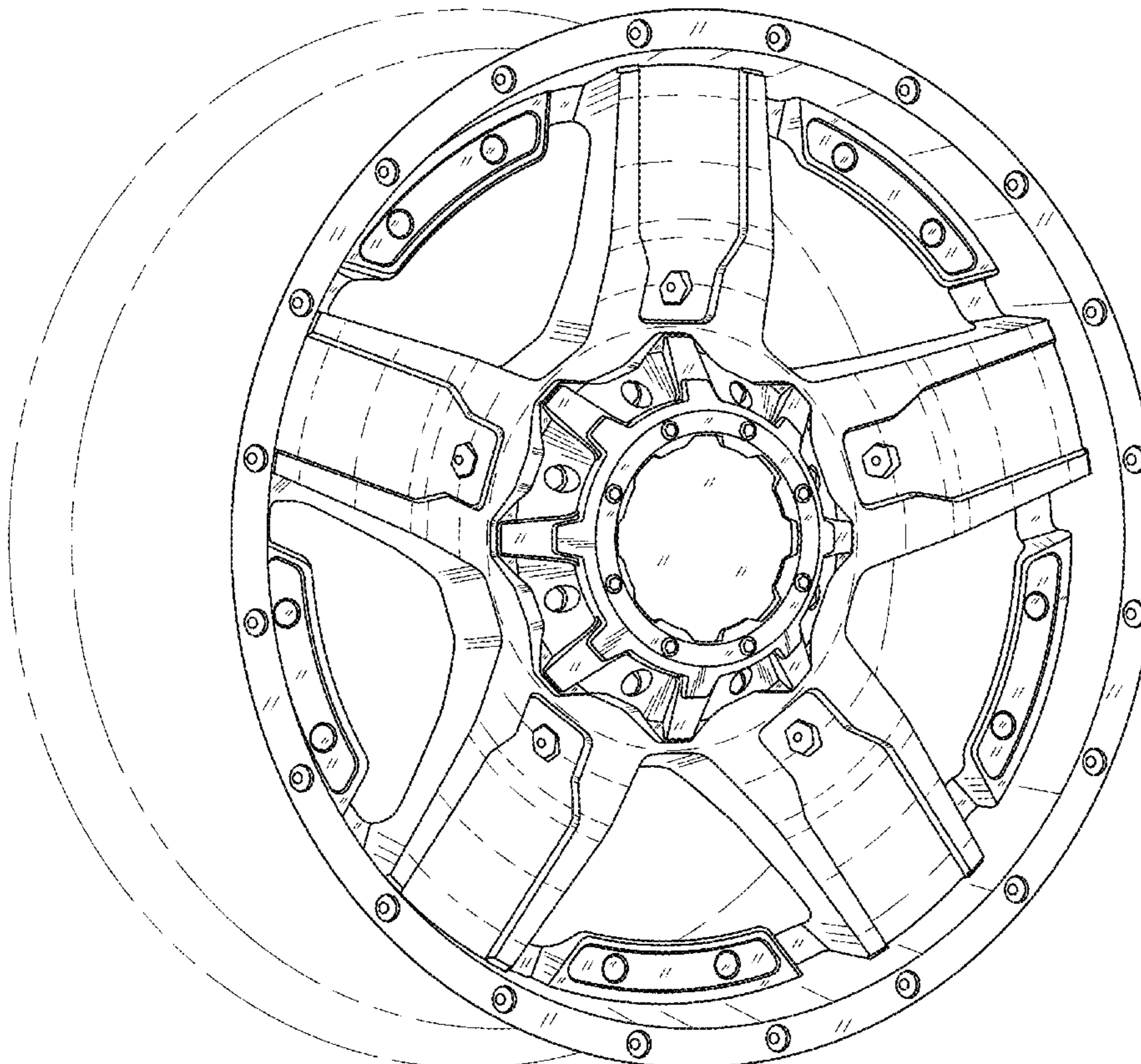
D701,481 S * 3/2014 Chung D12/211

D709,018 S * 7/2014 Chung D12/211

D714,704 S * 10/2014 Kim D12/211

D733,026 S * 6/2015 Chung D12/211

1 Claim, 6 Drawing Sheets



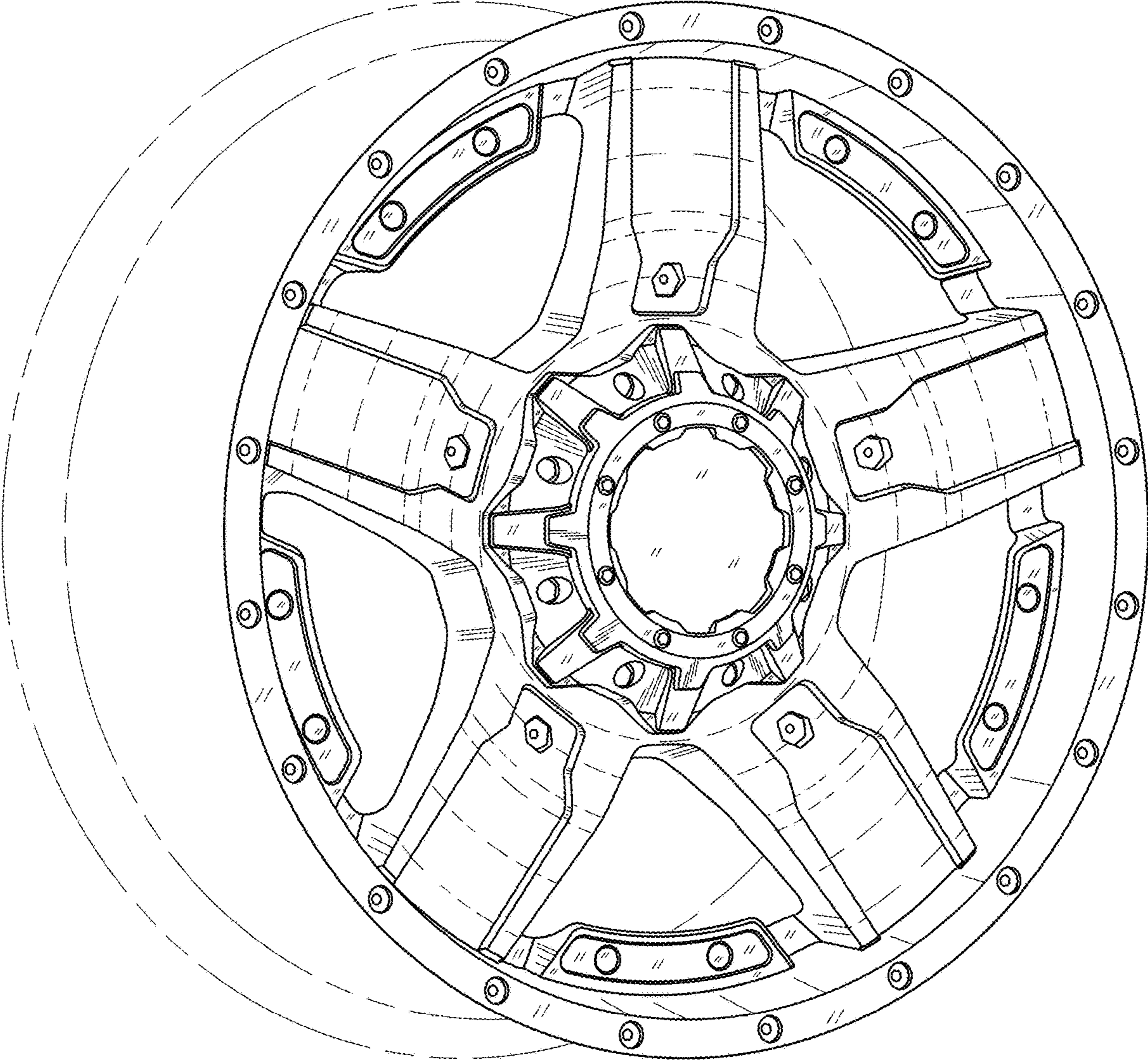


FIGURE 1

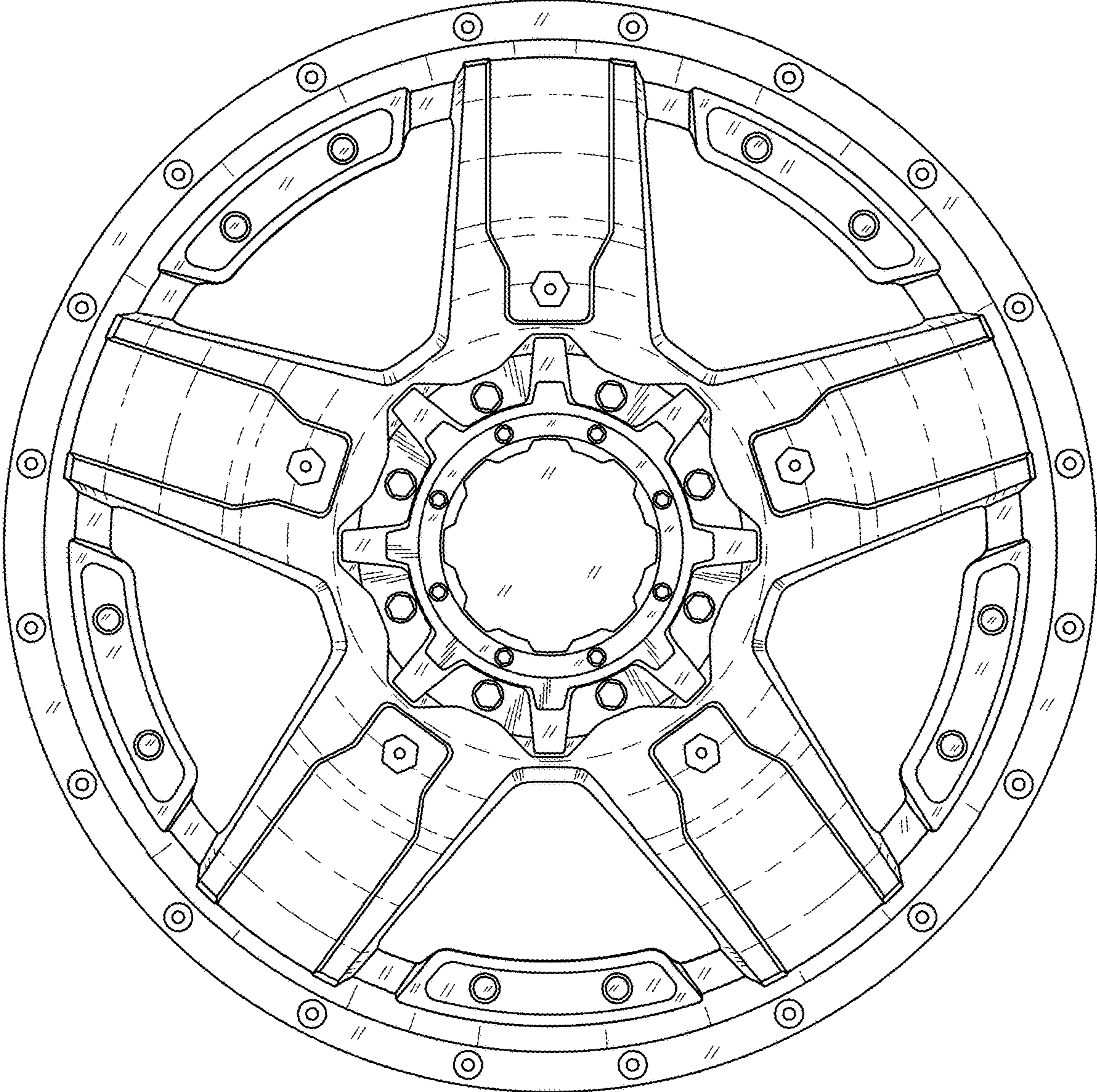


FIGURE 2

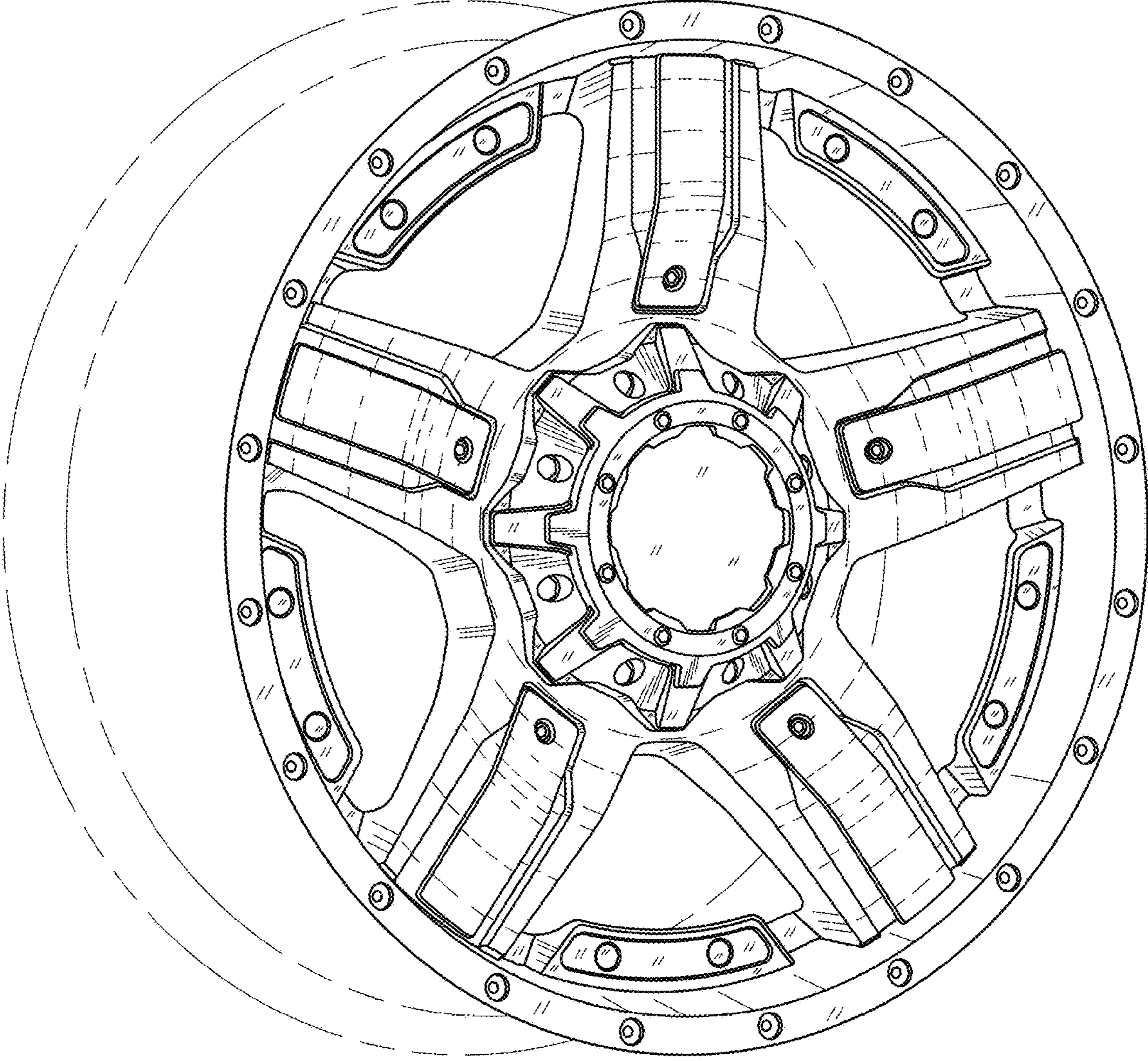


FIGURE 3

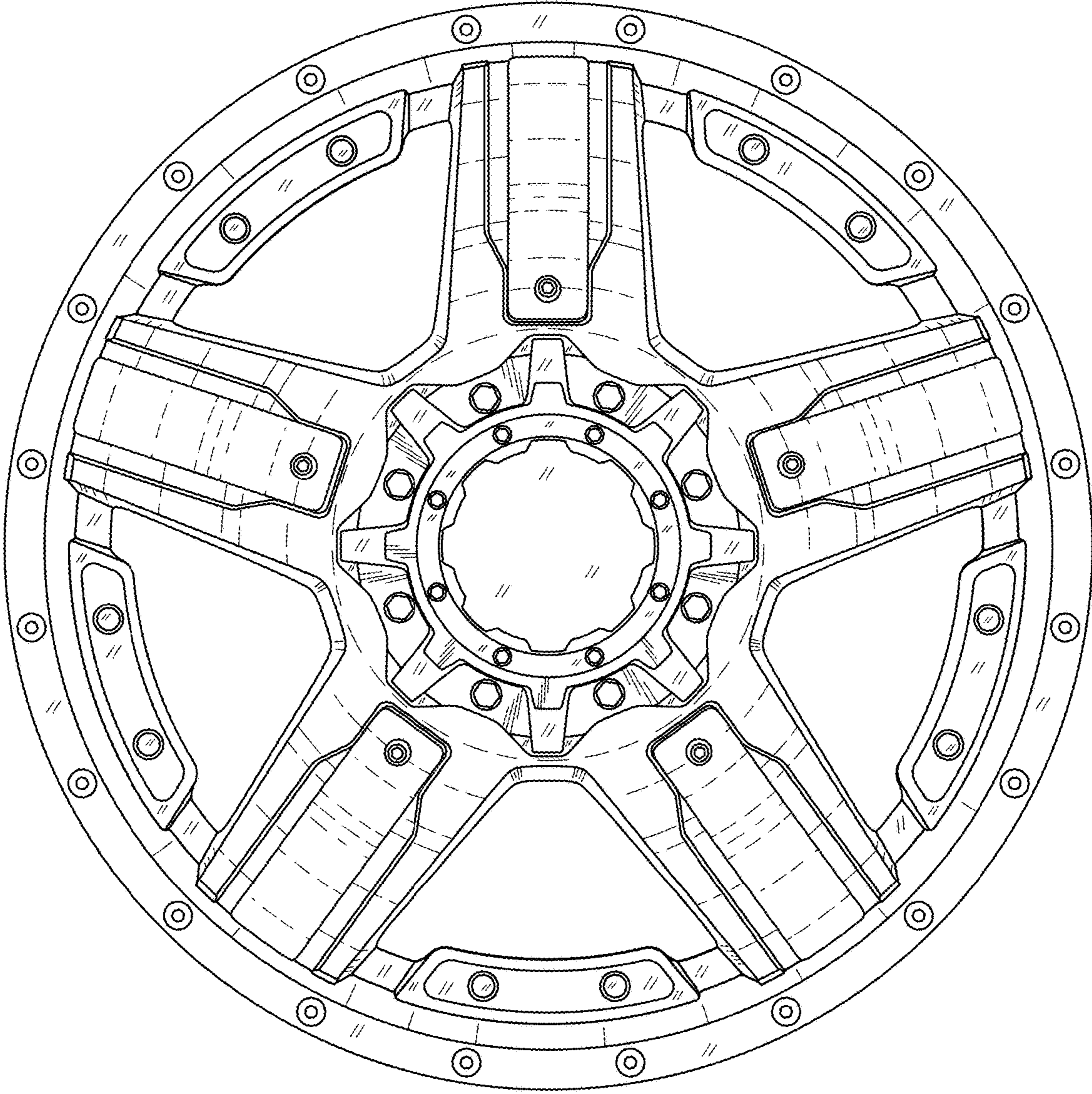


FIGURE 4

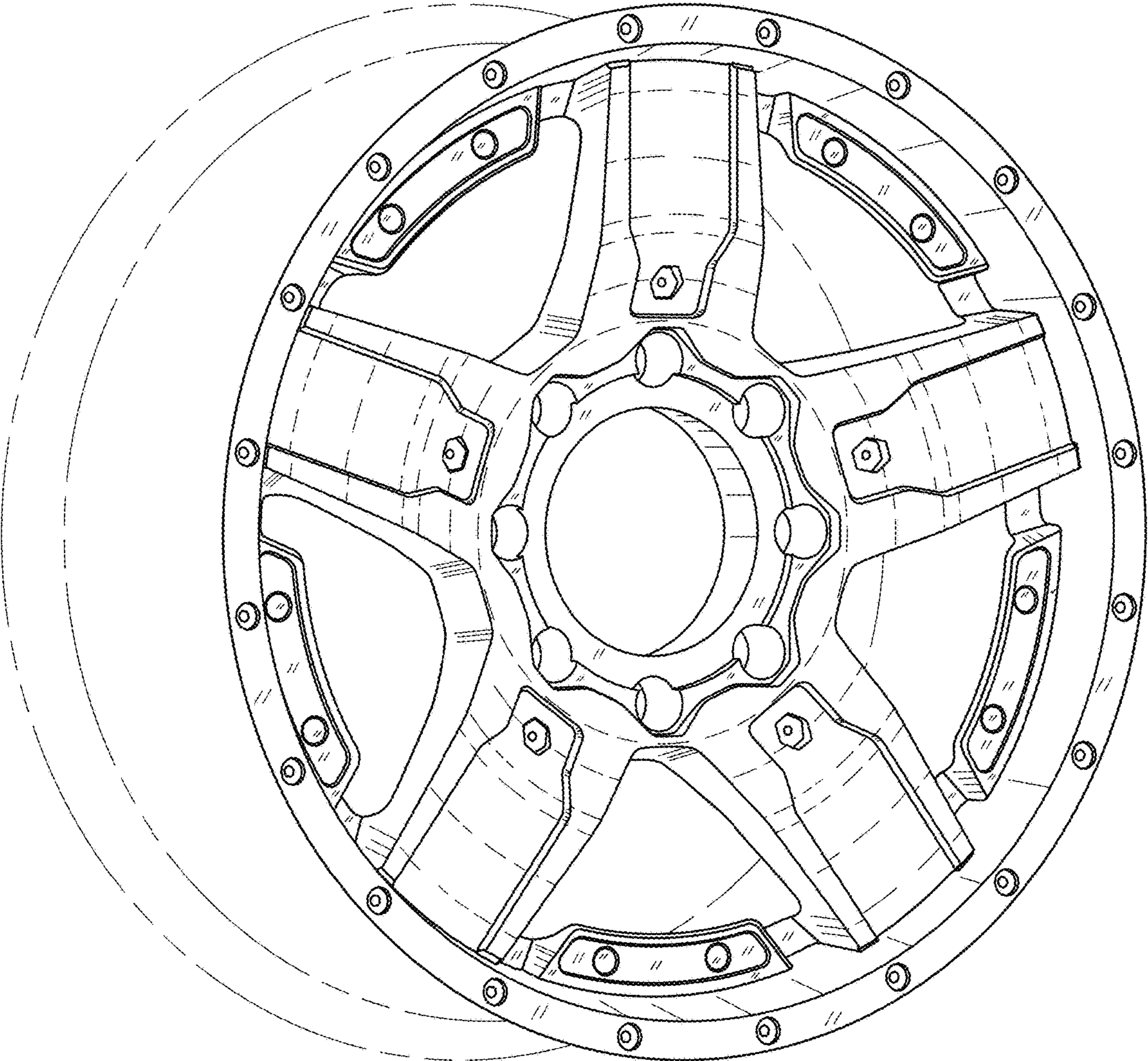


FIGURE 5

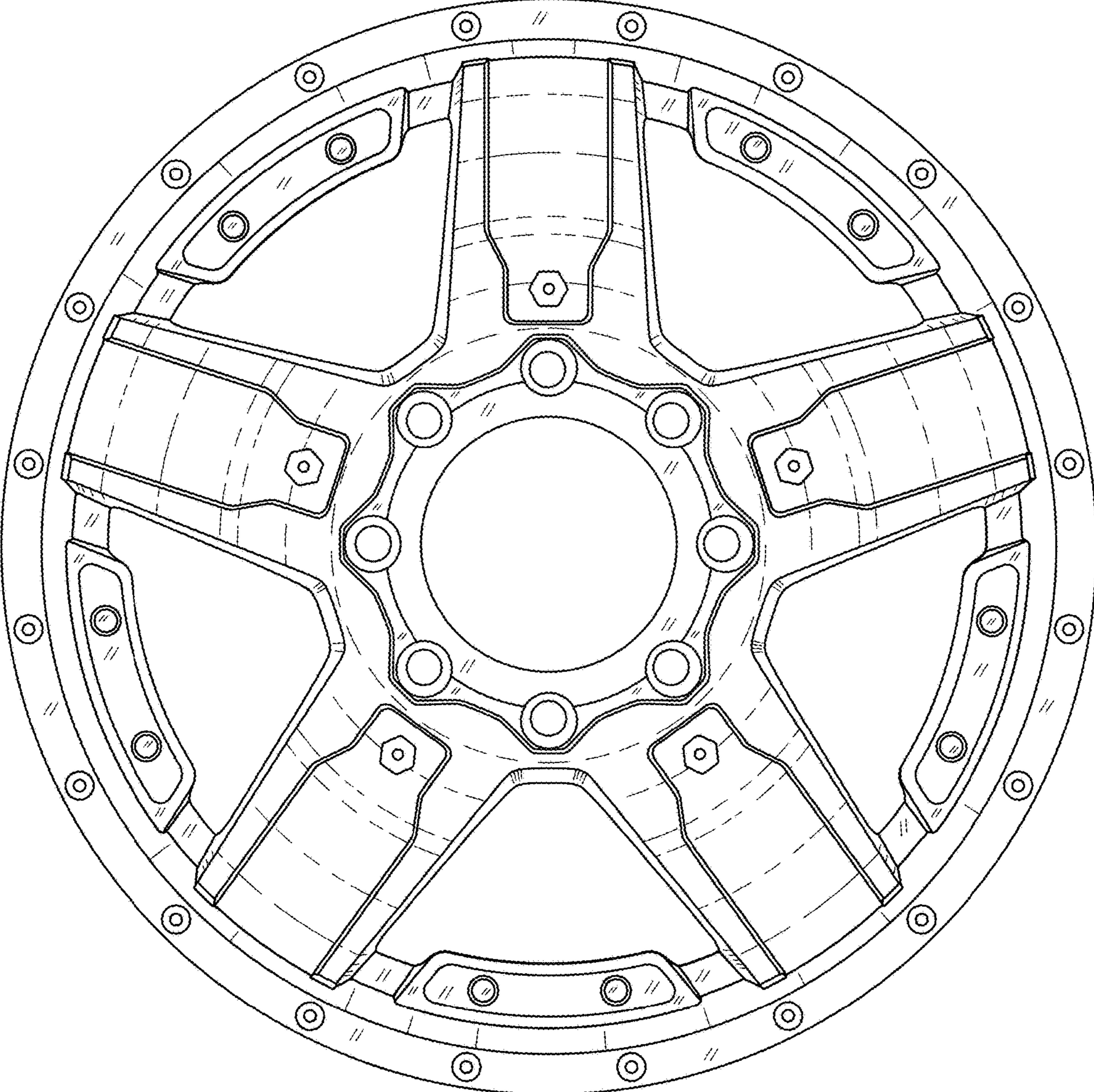


FIGURE 6