



US00D810647S

(12) **United States Design Patent**  
**Heizmann**

(10) **Patent No.:** **US D810,647 S**

(45) **Date of Patent:** **\*\* \*Feb. 20, 2018**

(54) **VEHICLE WHEEL RIM**

D406,092 S 2/1999 Baumgartner  
D417,646 S 12/1999 Baumgartner  
D423,445 S 4/2000 Baumgartner  
D427,558 S 7/2000 Neeper

(71) Applicant: **Karl Heizmann**, Oberwolfach (DE)

(72) Inventor: **Karl Heizmann**, Oberwolfach (DE)

(73) Assignee: **BBS GMBH**, Schiltach (DE)

(\*) Notice: This patent is subject to a terminal disclaimer.

(\*\*) Term: **14 Years**

(21) Appl. No.: **29/488,168**

(22) Filed: **Apr. 16, 2014**

(30) **Foreign Application Priority Data**

Jan. 31, 2014 (WO) ..... DM/082789

(51) **LOC (11) Cl.** ..... **12-16**

(52) **U.S. Cl.**  
USPC ..... **D12/209**

(58) **Field of Classification Search**  
USPC ..... D12/204–213  
CPC .... B60B 7/00; B60B 7/02; B60B 7/04; B60B 7/01; B60B 7/06; B60B 3/02; B60B 3/04; B60B 3/06; B60B 3/10; B60B 1/00; B60B 1/08; B60B 1/10; B60B 1/12  
See application file for complete search history.

(56) **References Cited**

**U.S. PATENT DOCUMENTS**

D284,000 S 5/1986 Braungart  
D329,416 S 9/1992 Braungart et al.  
D333,648 S 3/1993 Schwenk  
D344,924 S 3/1994 Baumgartner et al.  
D353,571 S 12/1994 Baumgartner et al.  
D395,270 S 6/1998 Baumgartner et al.  
D396,208 S 7/1998 Baumgartner et al.  
D398,898 S 9/1998 Baumgartner et al.  
D405,409 S 2/1999 Baumgartner

**FOREIGN PATENT DOCUMENTS**

JP 2008-7993 3/2008  
JP 1392994 7/2010

**OTHER PUBLICATIONS**

Japanese Serial No. 2014-015865, Decision of Refusal mailed Sep. 9, 2015, 3 pages—English, 2 pages—Japanese.

(Continued)

*Primary Examiner* — George D. Kirschbaum  
(74) *Attorney, Agent, or Firm* — Andrew F. Young, Esq.;  
Lackebach Siegel, LLP

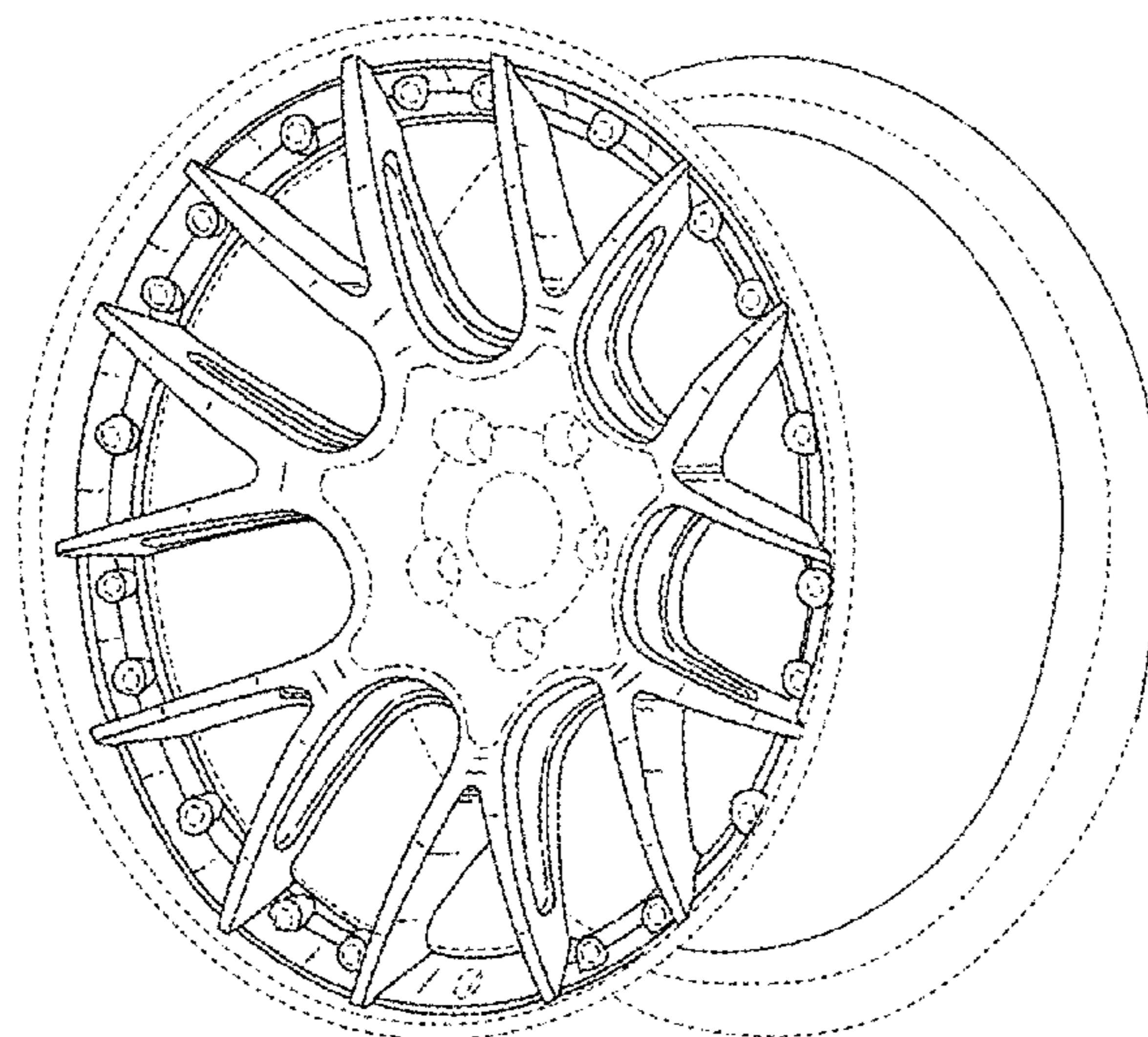
(57) **CLAIM**

The ornamental design for a vehicle wheel rim, as shown and described.

**DESCRIPTION**

FIG. 1 is a left side front perspective view of the invention. FIG. 2 is a front elevation view of FIG. 1, the rear elevation view is eliminated as there is no claim to the rear view. FIG. 3 is a right side front perspective view of FIG. 1. FIG. 4 is a left side elevation view of FIG. 1, the right side elevation view, the top plan view, and the bottom plan views being mirror images thereof due to the circular nature; and, FIG. 5 is an enlarged partial view of FIG. 1. The broken line showing of the sides, rear, inner and outer surfaces, valve-stem hole, brand location platen, inner lug central region or bolt holes is included for the purpose of illustrating portions of the “article” and forms no part of the claimed design.

**1 Claim, 5 Drawing Sheets**



(56)

**References Cited**

U.S. PATENT DOCUMENTS

D471,503 S 3/2003 Baumgartner  
 D475,674 S 6/2003 Baumgartner  
 D476,283 S 6/2003 Baumgartner  
 D515,966 S 2/2006 Loy  
 D515,996 S 2/2006 Baumgartner  
 D527,327 S \* 8/2006 Laengerer ..... D12/211  
 D528,063 S 9/2006 Schell  
 D532,355 S 11/2006 Baumgartner  
 D533,825 S 12/2006 Baumgartner  
 D539,204 S 3/2007 Pollmann  
 D539,724 S 4/2007 Muzzarelli et al.  
 D541,202 S 4/2007 Baumgartner  
 D543,923 S \* 6/2007 Hieke ..... D12/211  
 D547,251 S 7/2007 Baum  
 D553,069 S \* 10/2007 Ettensberger ..... D12/211  
 D573,932 S 7/2008 Laengerer  
 D592,119 S 5/2009 Heizmann  
 D593,017 S \* 5/2009 Antoniadis ..... D12/209  
 D596,763 S 7/2009 Chappell  
 D606,921 S 12/2009 Thorsten  
 D606,922 S 12/2009 Thorsten  
 D620,862 S 8/2010 Pollmann

D622,196 S \* 8/2010 Gallert ..... D12/209  
 D622,199 S \* 8/2010 Gallert ..... D12/211  
 D624,861 S 10/2010 Zhao  
 D626,052 S 10/2010 Majdandzic  
 D642,105 S \* 7/2011 Chung ..... D12/209  
 D645,390 S 9/2011 De Bono  
 D649,102 S 11/2011 Gallert  
 D649,103 S 11/2011 Gallert  
 D675,143 S 1/2013 Gebert  
 D735,630 S \* 8/2015 Swanseger ..... D12/209

OTHER PUBLICATIONS

Japanese Design Bulletin of Design Reg. No. 347240.  
 Japanese Design Bulletin of Design Reg. No. 1362853.  
 Japanese Design Bulletin of Design Reg. No. 0887628.  
 Japanese Design Bulletin of Design Reg. No. 0887628-001-003.  
 Japanese Patent Appln. Serial No. 2013-020021, Office Action dated Jan. 14, 2014, 2 pages—English, 2 pages—Japanese.  
 German Patent Appln. Serial No. 2014501381, Office Action dated Jun. 4, 2014, 2 pages—English, 4 pages—German; 2 pages—Russian.

\* cited by examiner

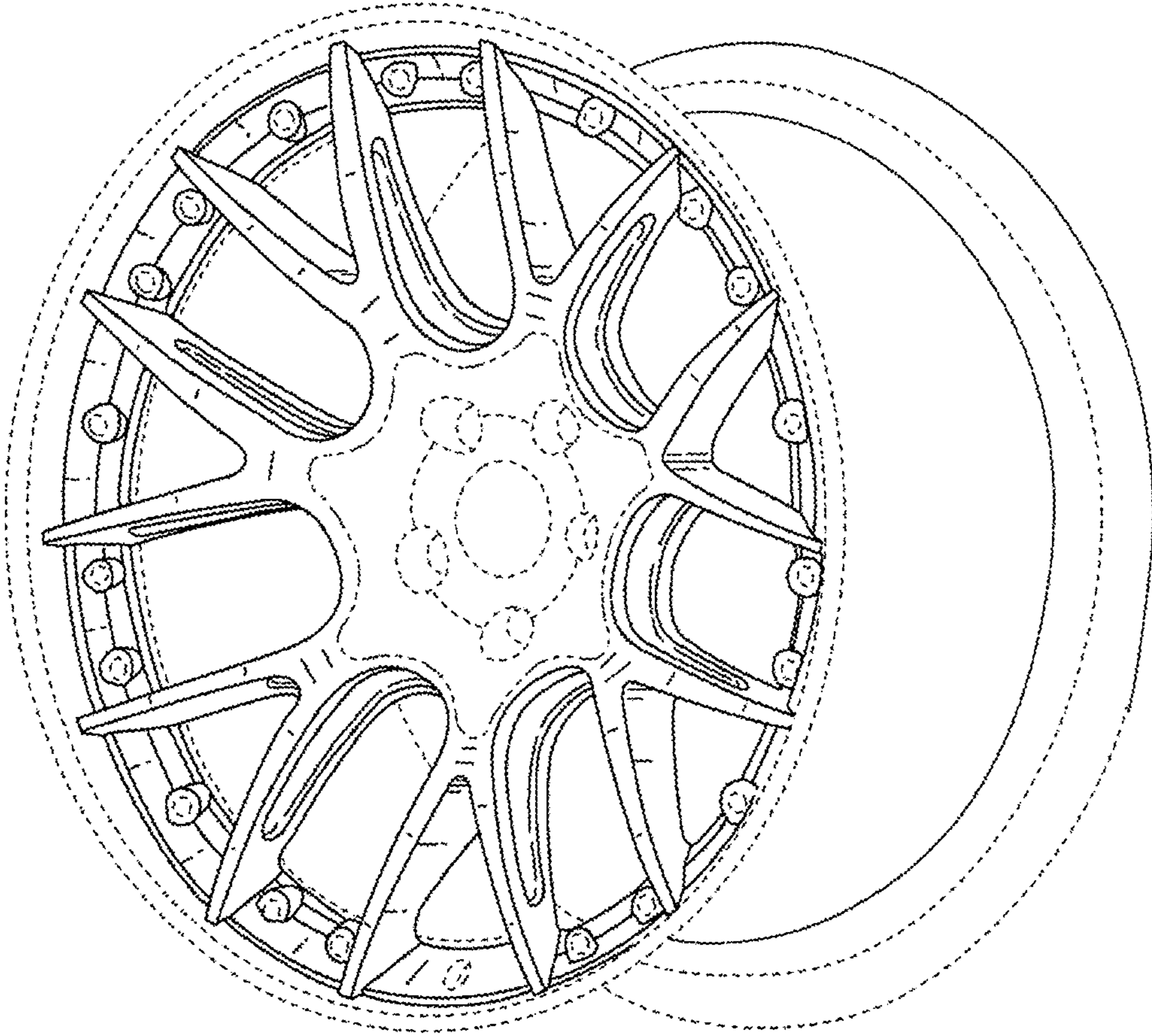


FIG. 1

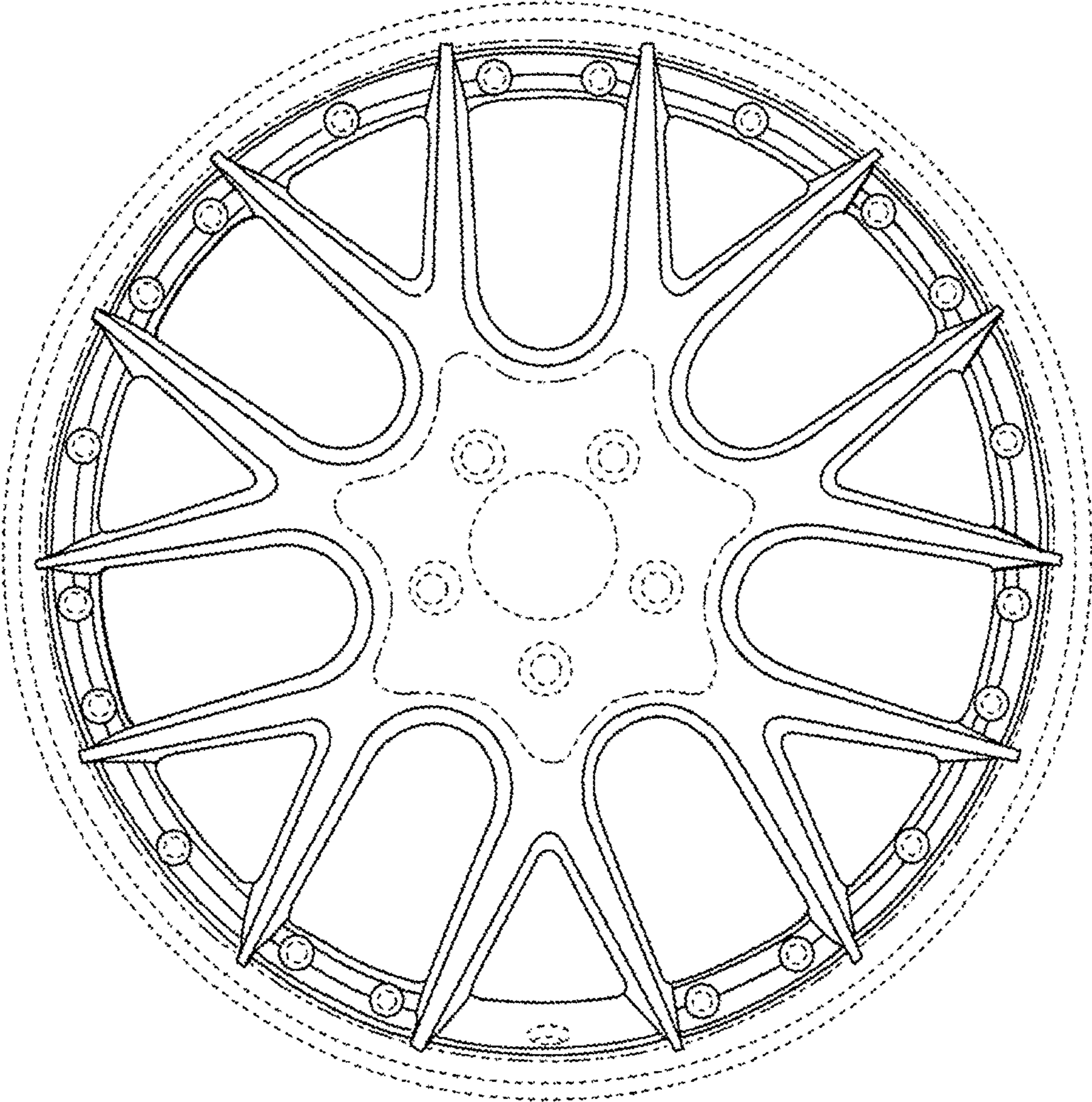


FIG. 2

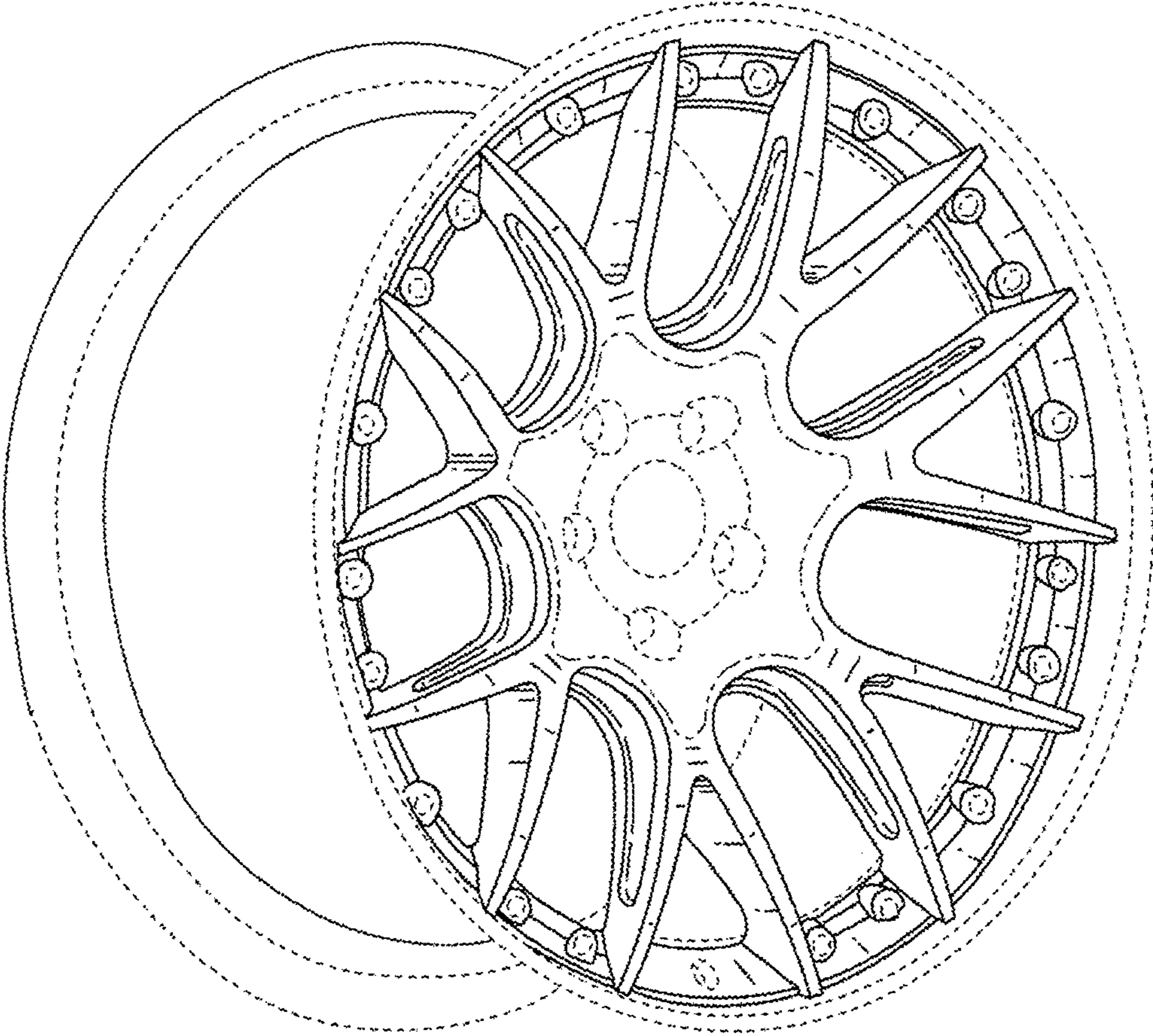


FIG. 3

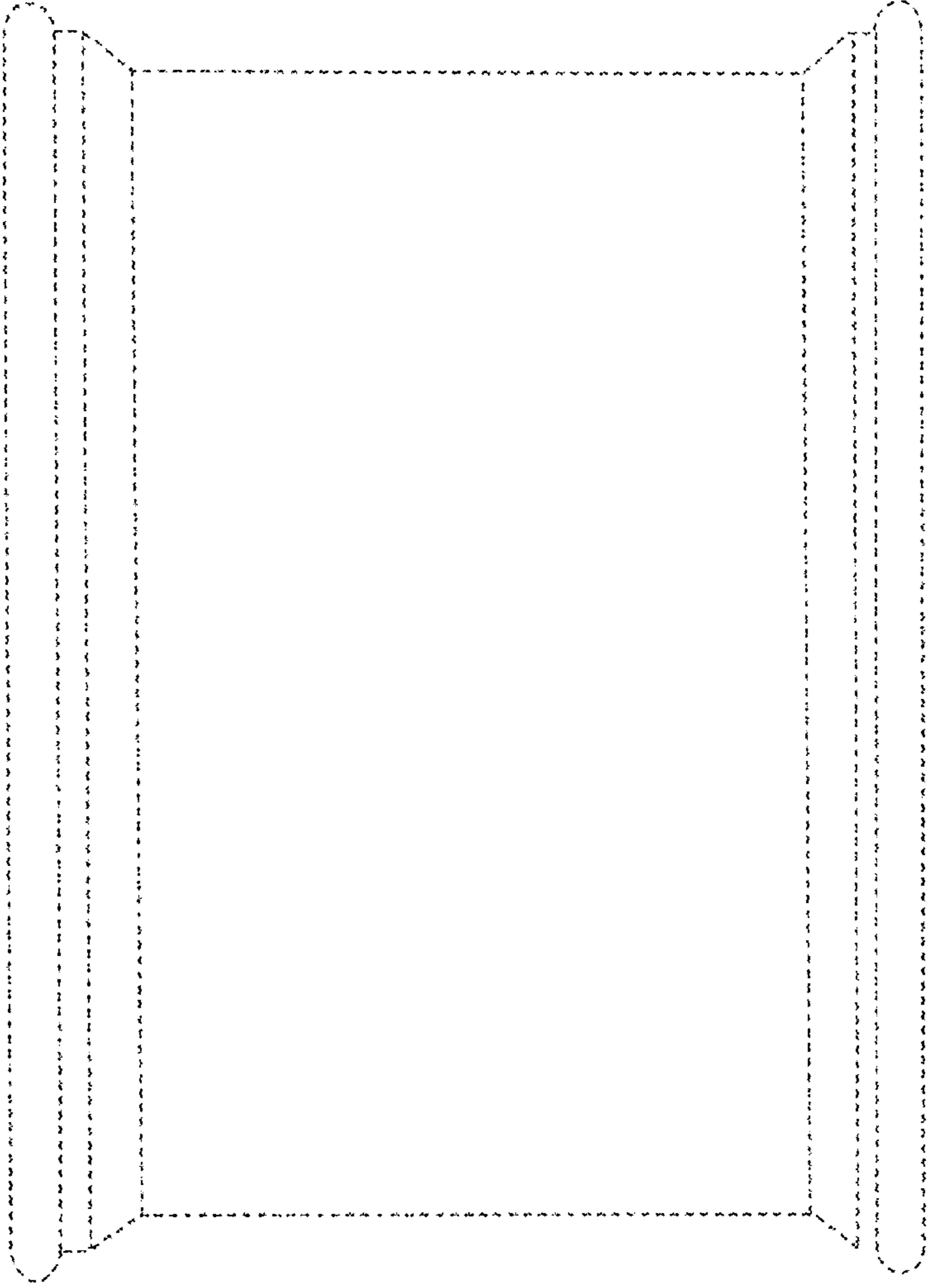


FIG. 4

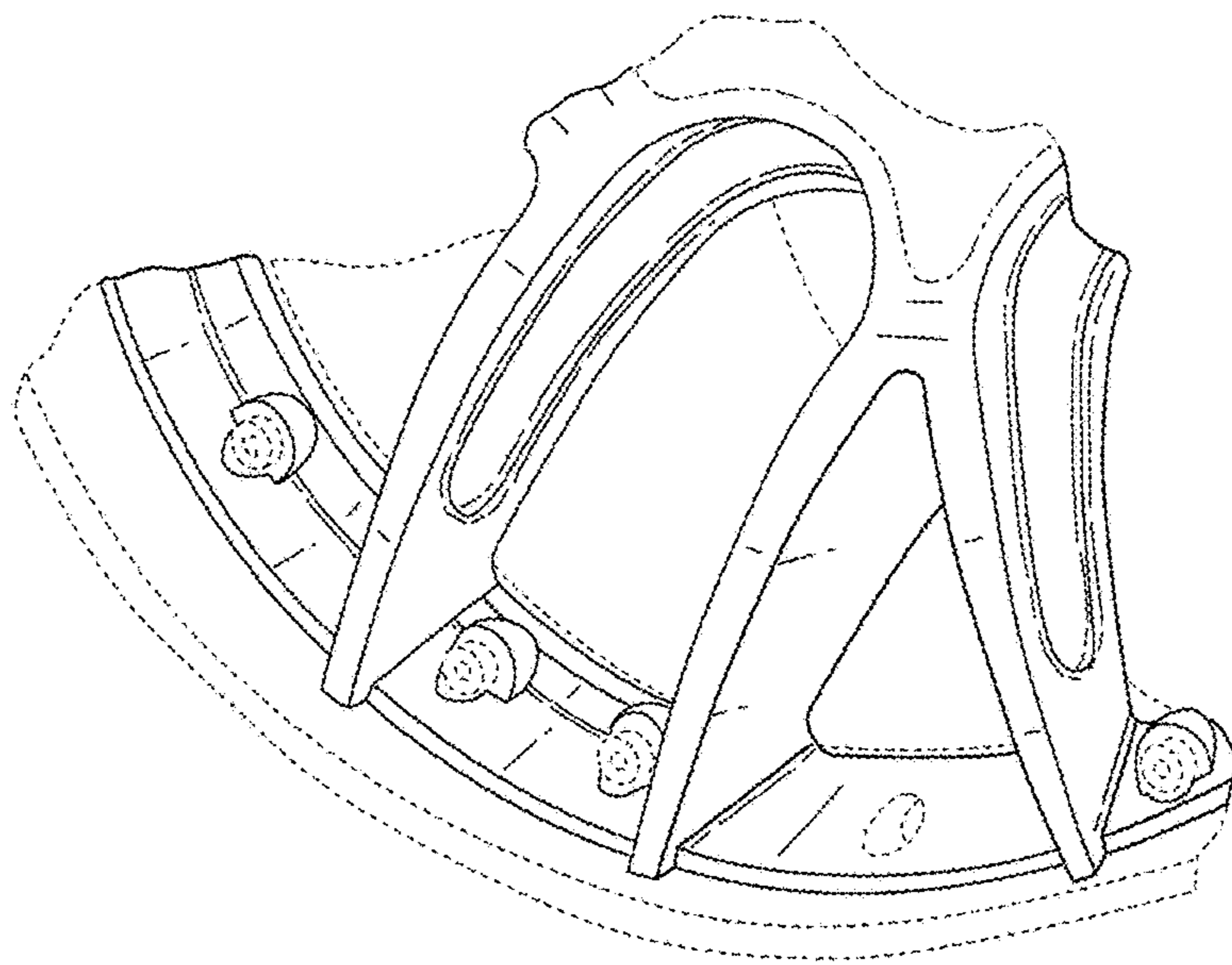


FIG. 5