

US00D810646S

(12) **United States Design Patent** (10) **Patent No.:** **US D810,646 S**
Heizmann (45) **Date of Patent:** **** *Feb. 20, 2018**

(54) **VEHICLE WHEEL RIM**

- (71) Applicant: **Karl Heizmann**, Oberwolfach (DE)
- (72) Inventor: **Karl Heizmann**, Oberwolfach (DE)
- (73) Assignee: **BBS GMBH**, Schiltach (DE)
- (*) Notice: This patent is subject to a terminal disclaimer.
- (**) Term: **14 Years**
- (21) Appl. No.: **29/466,356**
- (22) Filed: **Sep. 6, 2013**

(30) **Foreign Application Priority Data**

May 14, 2013 (WO) DM/081 028

(51) **LOC (11) Cl.** **12-16**

(52) **U.S. Cl.**
USPC **D12/209**

(58) **Field of Classification Search**
USPC D12/204–213
CPC B60B 7/00; B60B 7/02; B60B 7/04; B60B 7/01; B60B 7/06; B60B 3/02; B60B 3/04; B60B 3/06; B60B 3/10; B60B 1/00; B60B 1/08; B60B 1/10; B60B 1/12
See application file for complete search history.

(56) **References Cited**

U.S. PATENT DOCUMENTS

- D284,000 S 5/1986 Braungart
- D286,037 S * 10/1986 Walter D12/211
- D329,416 S 9/1992 Braungart et al.
- D333,648 S 3/1993 Schwenk
- D344,924 S 3/1994 Baumgartner et al.
- D353,571 S 12/1994 Baumgartner et al.

(Continued)

FOREIGN PATENT DOCUMENTS

- EM 001684507-0004 3/2010
- JP 1346435 12/2008

OTHER PUBLICATIONS

Japanese Patent Appln. Serial No. 2013-020021, Office Action dated Jan. 14, 2014 1 page:—English, 2 pages—Japanese.

(Continued)

Primary Examiner — George D. Kirschbaum

(74) *Attorney, Agent, or Firm* — Andrew F. Young, Esq.; Lackenbach Siegel, LLP

(57) **CLAIM**

The ornamental design for a vehicle wheel rim, as shown and described.

DESCRIPTION

FIG. 1 is a right perspective view of a first embodiment of the invention.

FIG. 2 is a front elevation view of FIG. 1.

FIG. 3 is a left perspective view of FIG. 1.

FIG. 4 is a left side elevation view of FIG. 1, the right side elevation, top plan, and bottom plan views being mirror images thereof due to the circular shape.

FIG. 5 is an enlarged partial perspective view of FIG. 1, as an illustrative aid.

FIG. 6 is a right perspective view of a second embodiment of the invention.

FIG. 7 is a front elevation view of FIG. 6.

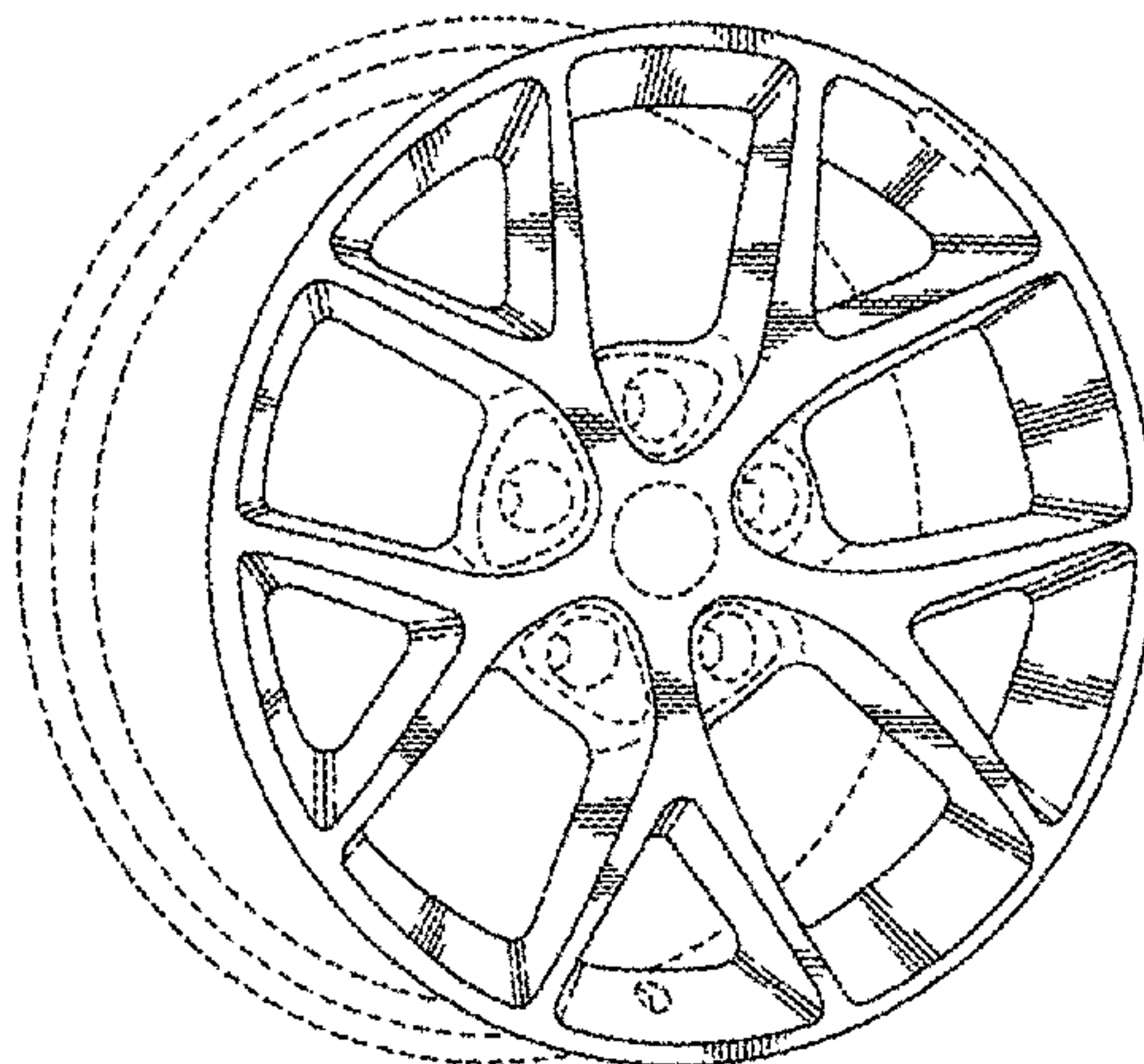
FIG. 8 is a left perspective view of FIG. 6.

FIG. 9 is a left side elevation view of FIG. 6, the right side elevation, top plan, and bottom plan views being mirror images thereof due to the circular shape; and,

FIG. 10 is an enlarged partial perspective view of FIG. 6, as an illustrative aid.

The broken line showing of the sides, rear, inner and outer surfaces, valve-stem hole, brand location platen, inner lug central region or bolt holes is included for the purpose of illustrating portions of the “article” and forms no part of the claimed design.

1 Claim, 6 Drawing Sheets



(56)

References Cited

U.S. PATENT DOCUMENTS

D395,270 S 6/1998 Baumgartner et al.
 D396,208 S 7/1998 Baumgartner et al.
 D398,898 S 9/1998 Baumgartner et al.
 D405,409 S 2/1999 Baumgartner
 D406,092 S 2/1999 Baumgartner
 D417,646 S 12/1999 Baumgartner
 D423,445 S 4/2000 Baumgartner
 D427,558 S 7/2000 Neeper
 D471,503 S 3/2003 Baumgartner
 D475,674 S 6/2003 Baumgartner
 D476,283 S 6/2003 Baumgartner
 D515,966 S 2/2006 Loy
 D515,996 S 2/2006 Baumgartner
 D523,797 S * 6/2006 Gallert D12/209
 D528,063 S 9/2006 Schell
 D532,355 S 11/2006 Baumgartner
 D533,825 S 12/2006 Baumgartner
 D539,204 S 3/2007 Pollmann
 D539,724 S 4/2007 Muzzarelli
 D541,202 S 4/2007 Baumgartner
 D547,251 S 7/2007 Baum
 D549,150 S * 8/2007 Young D12/211
 D560,585 S * 1/2008 Blasi D12/209
 D567,735 S * 4/2008 Young D12/209
 D573,932 S 7/2008 Laengerer
 D585,805 S * 2/2009 Friedrich D12/209

D592,119 S 5/2009 Heizmann
 D593,920 S * 6/2009 Juergens D12/209
 D596,763 S 7/2009 Chappell
 D606,921 S 12/2009 Thorsten
 D606,922 S 12/2009 Thorsten
 D612,788 S * 3/2010 Junker D12/209
 D618,152 S * 6/2010 Juergens D12/209
 D620,862 S 8/2010 Pollmann
 D624,861 S 10/2010 Zhao
 D626,952 S 11/2010 Majdandzic
 D639,714 S * 6/2011 Baum D12/209
 D645,390 S 9/2011 De Bono
 D649,102 S 11/2011 Gallert
 D649,103 S 11/2011 Gallert
 D673,092 S * 12/2012 Platto D12/209
 D675,143 S 1/2013 Gebert
 D695,666 S * 12/2013 Chung D12/209
 D715,720 S * 10/2014 Ender D12/211
 D718,203 S * 11/2014 Whyte D12/209
 D732,449 S * 6/2015 Grake D12/209
 D734,704 S * 7/2015 Juergens D12/211

OTHER PUBLICATIONS

Russian Design Application No. 2013503751, Office Action dated Jun. 4, 2014, 3 pages—Russian, 3 pages—English, 4 pages—German.

* cited by examiner

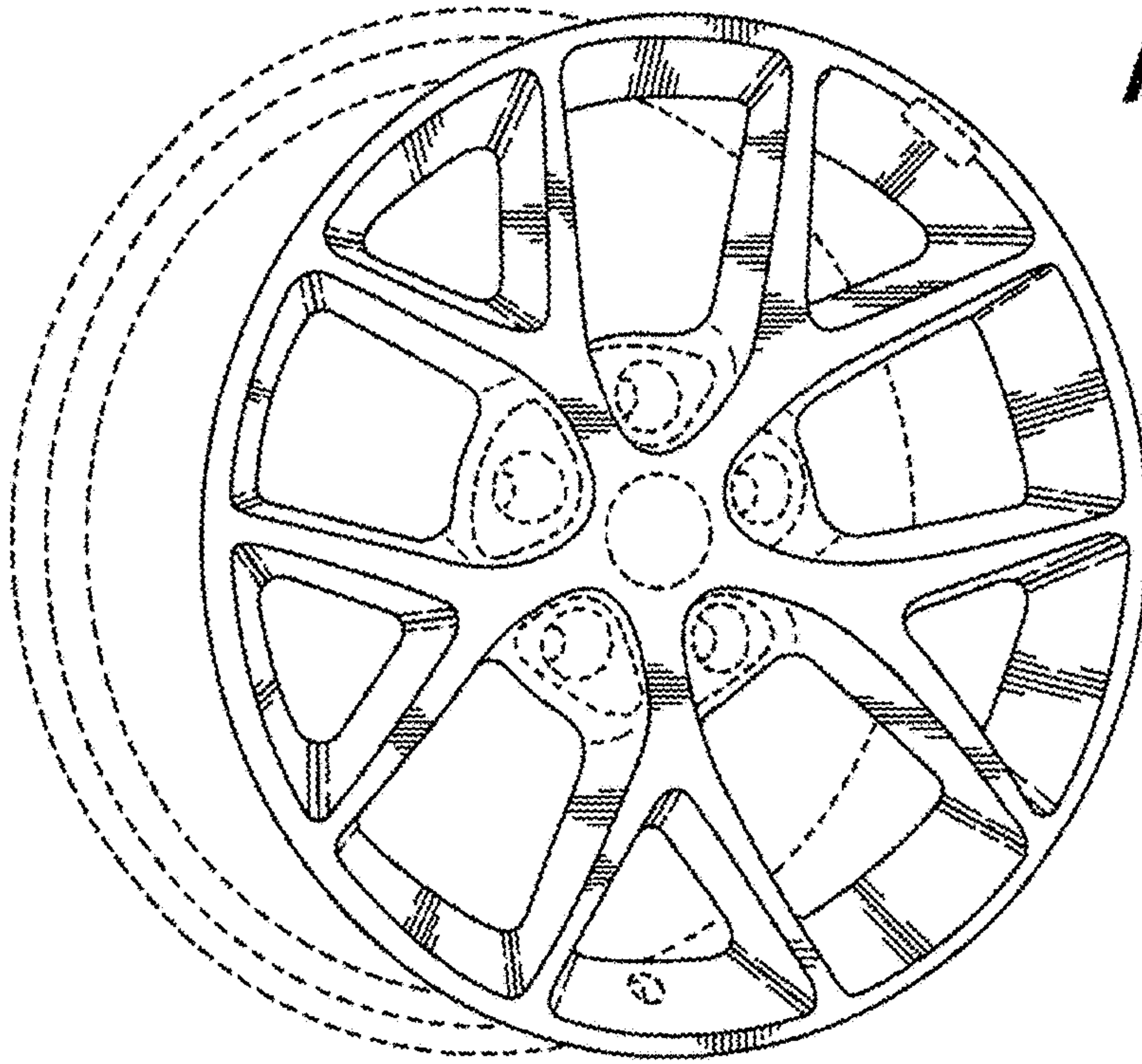


Fig. 1

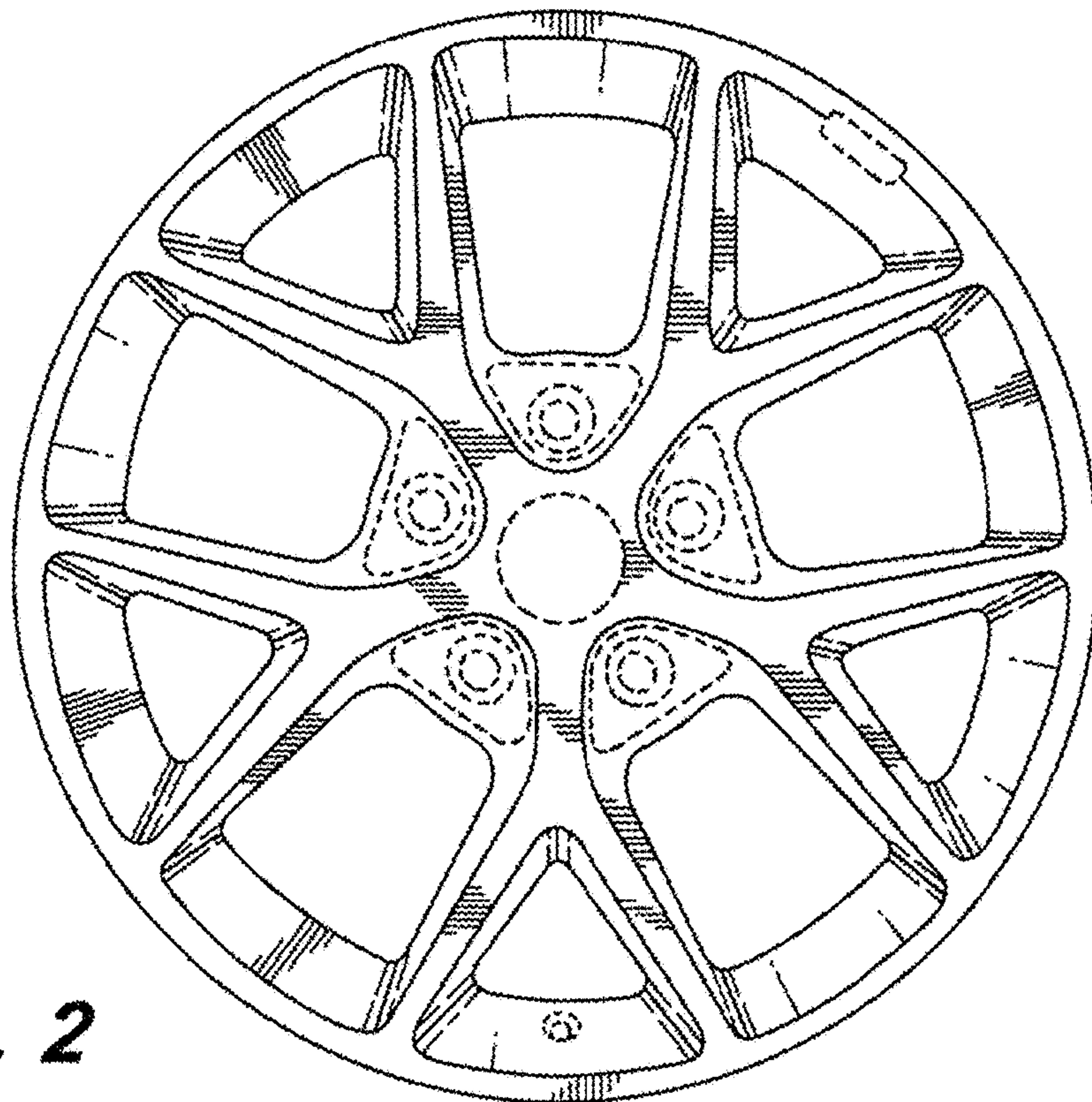


Fig. 2

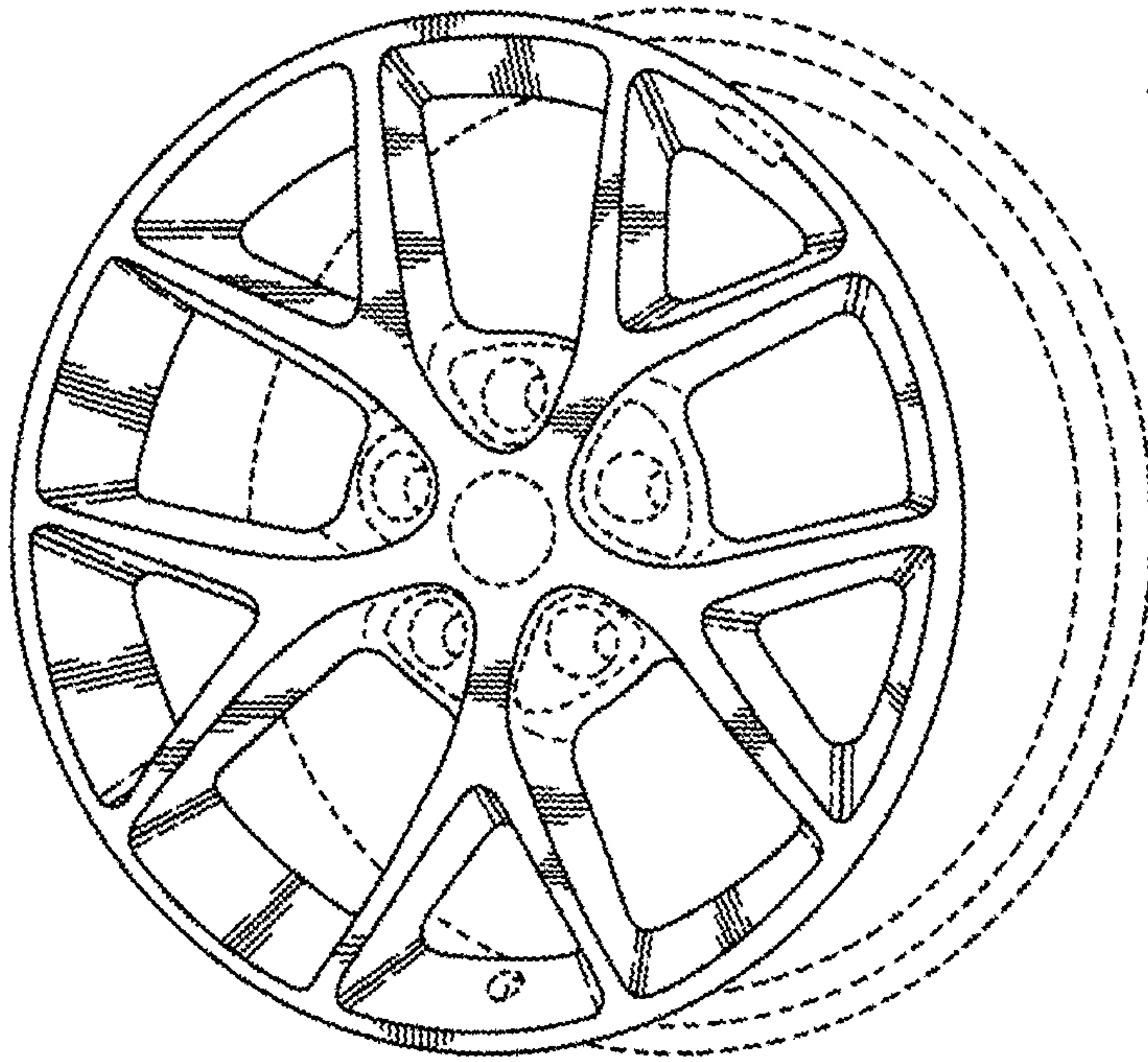


Fig. 3

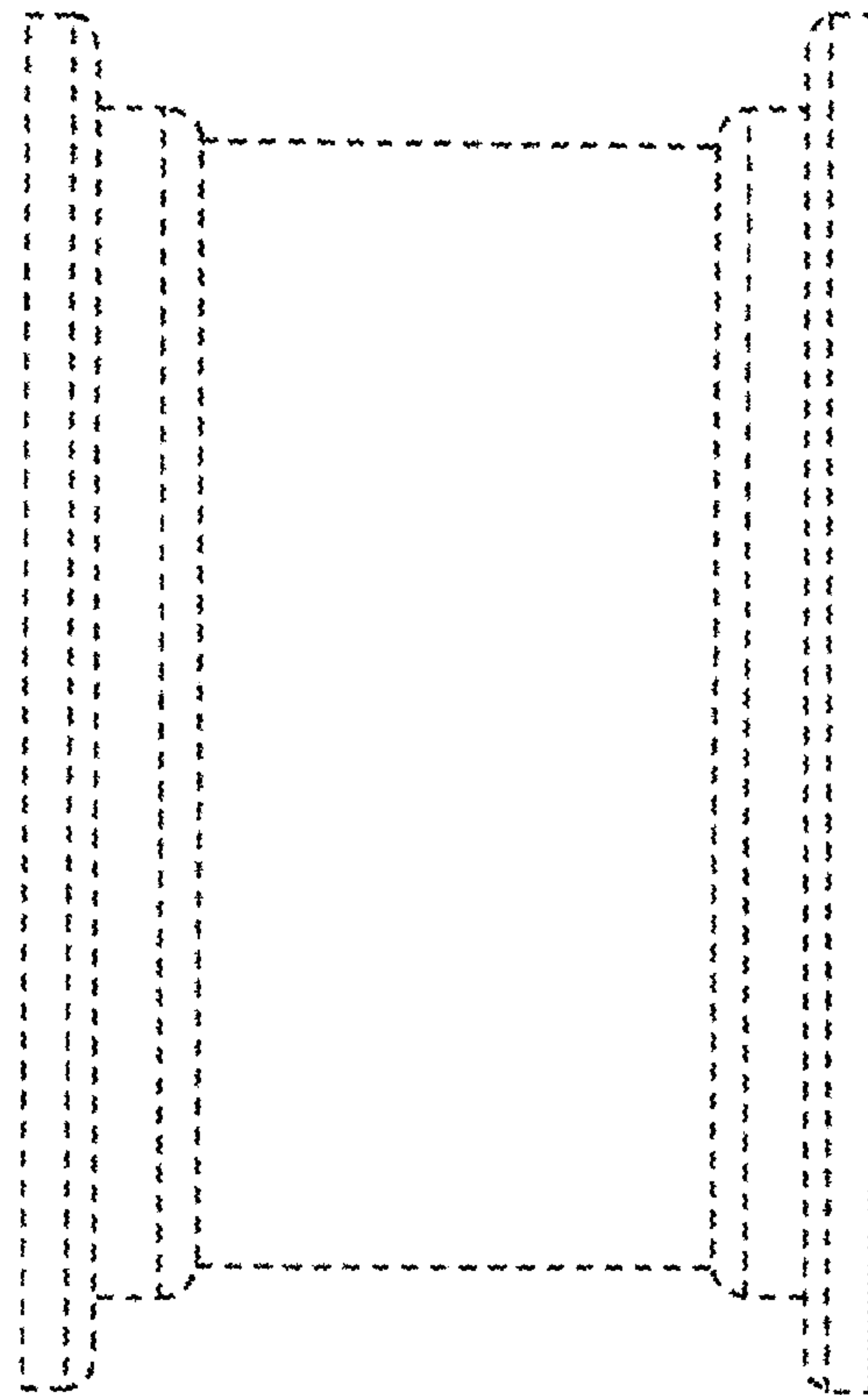


Fig. 4

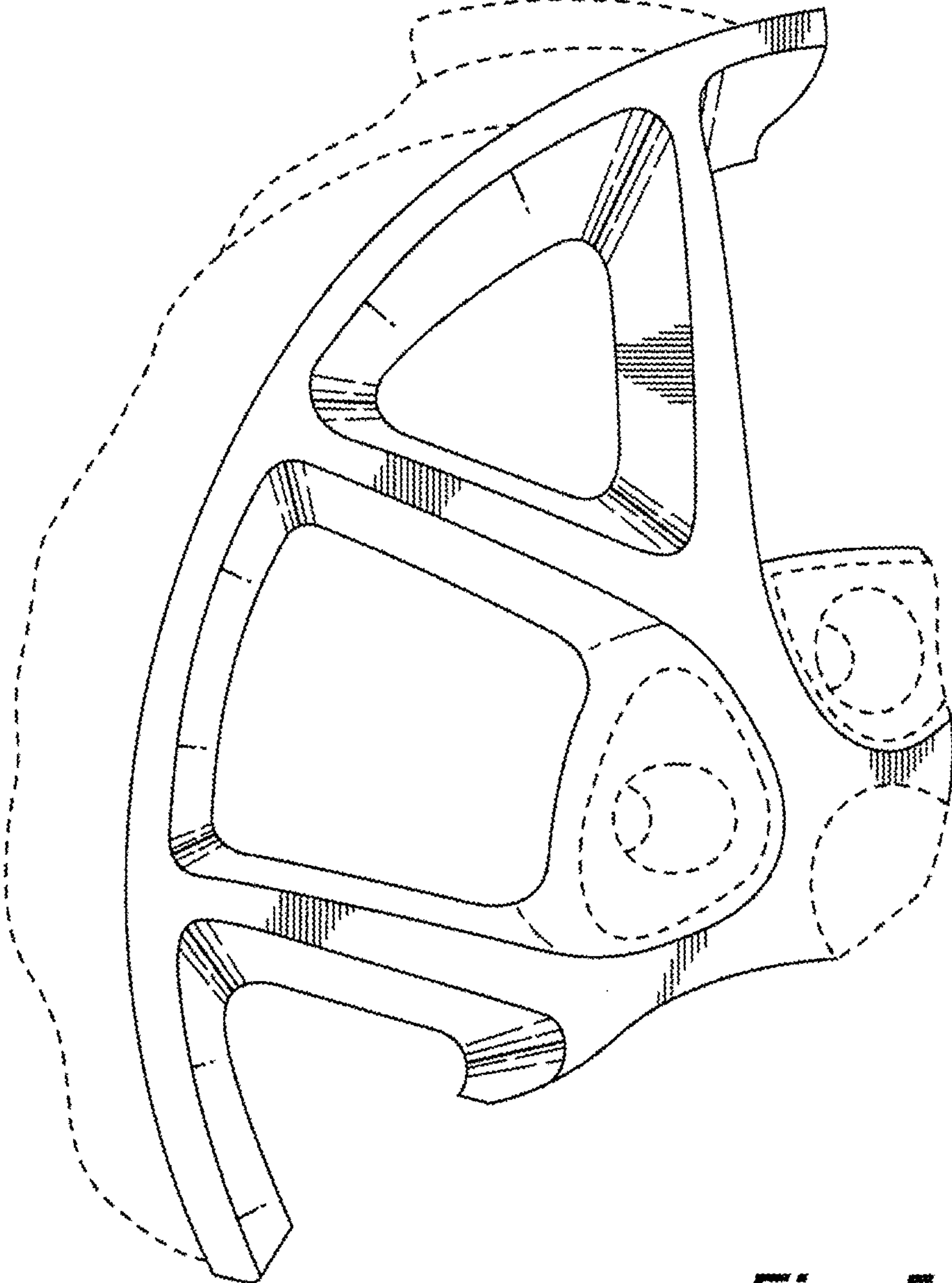


Fig. 5

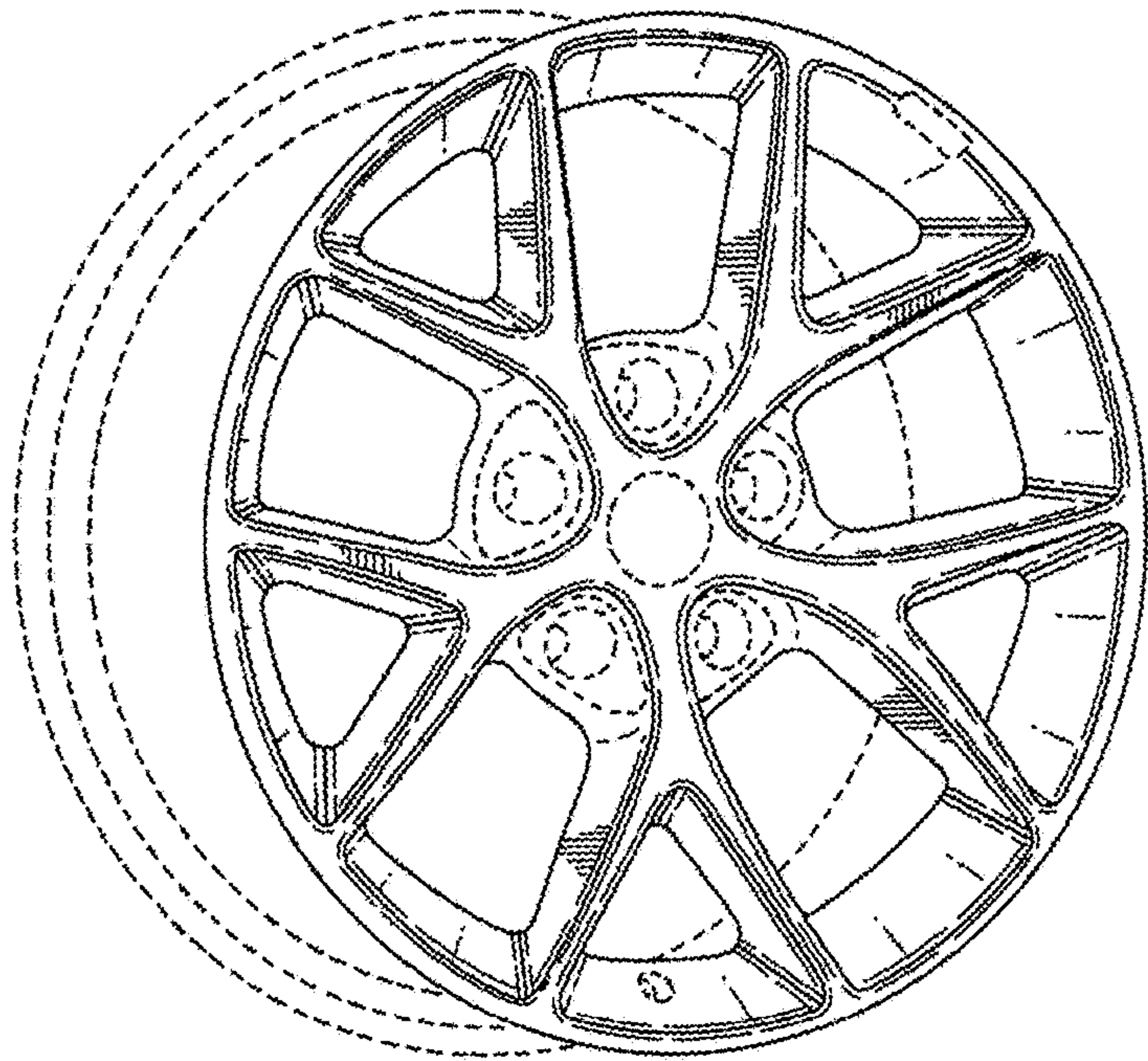


Fig. 6

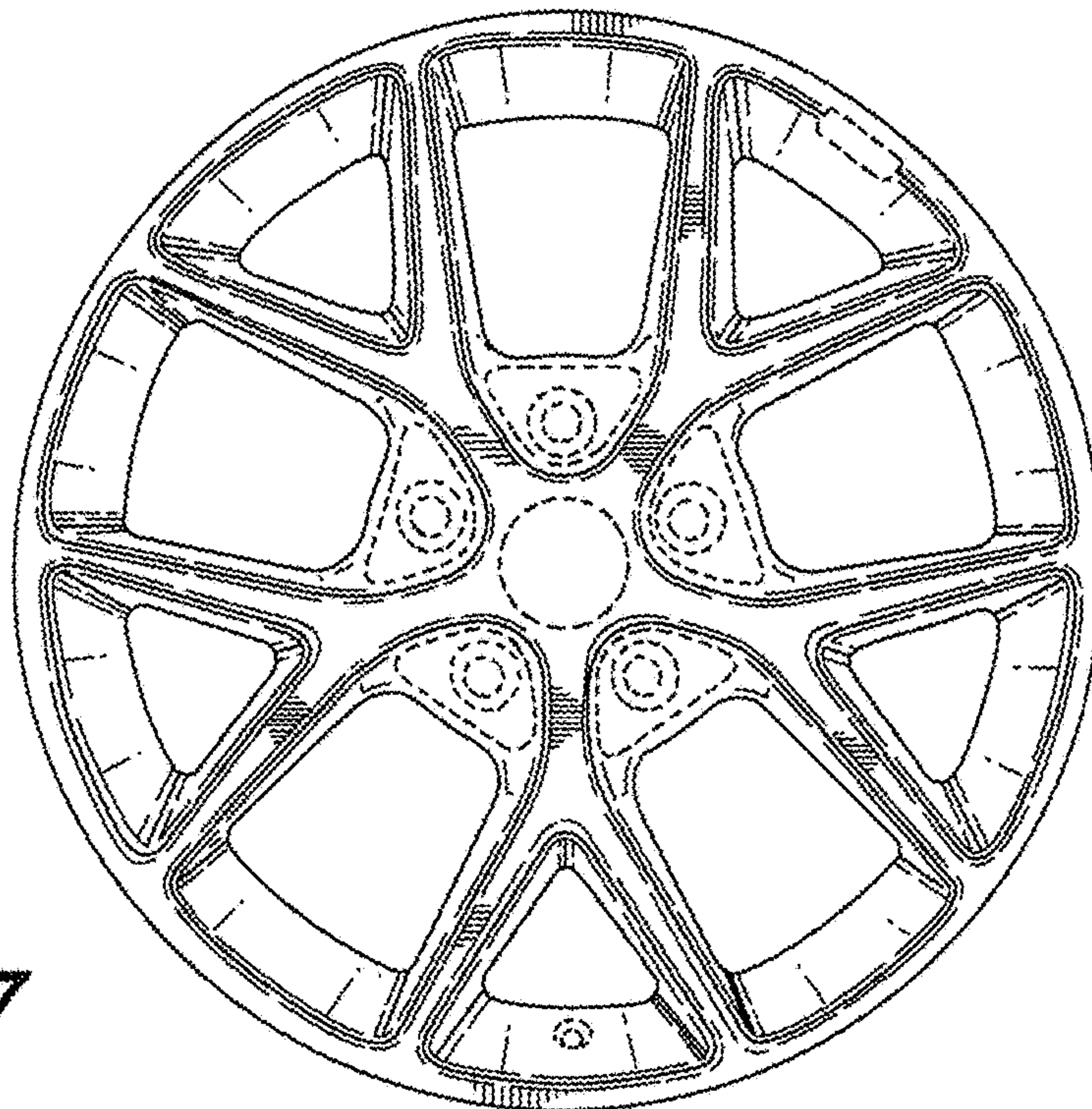


Fig. 7

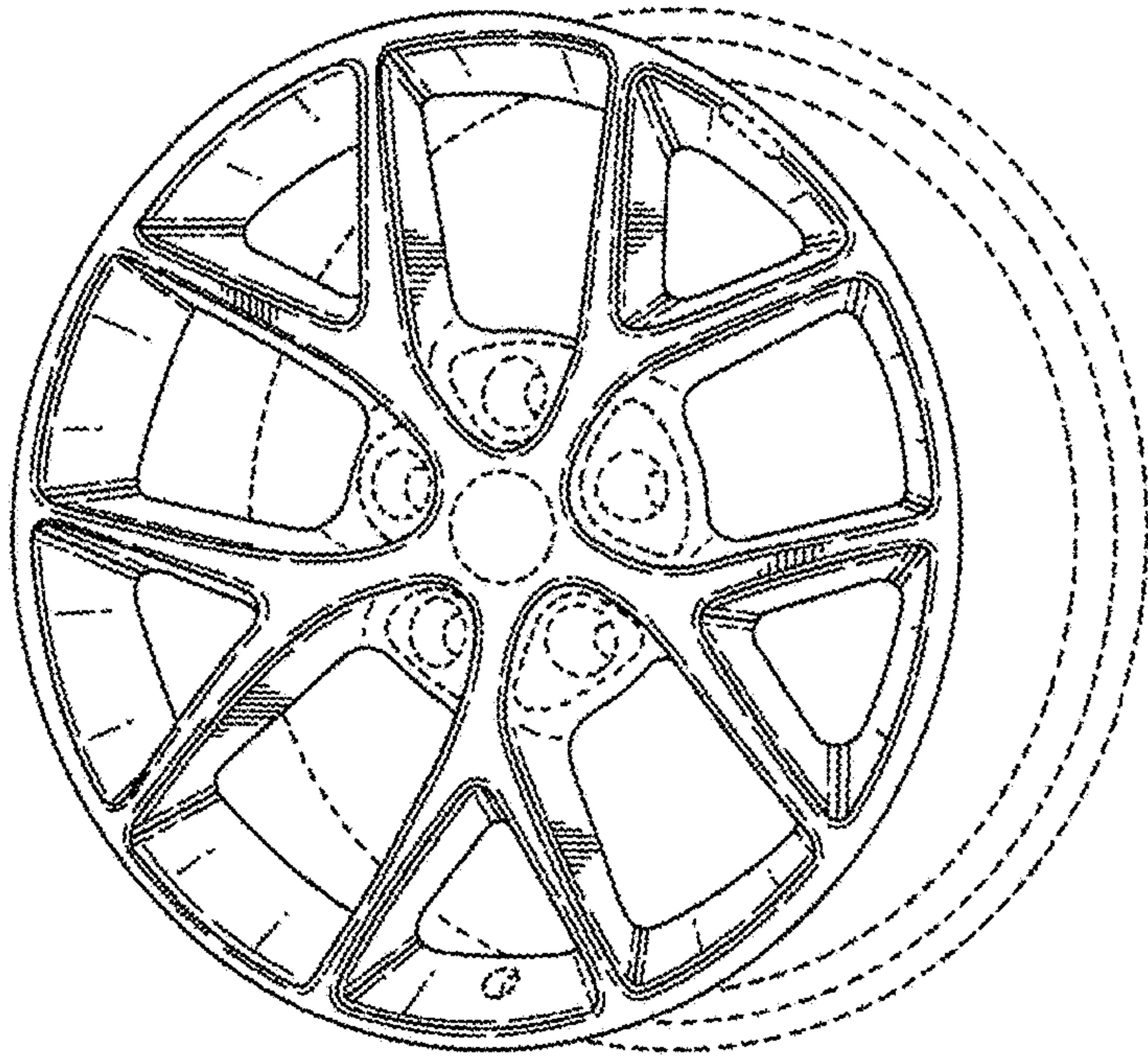


Fig. 8

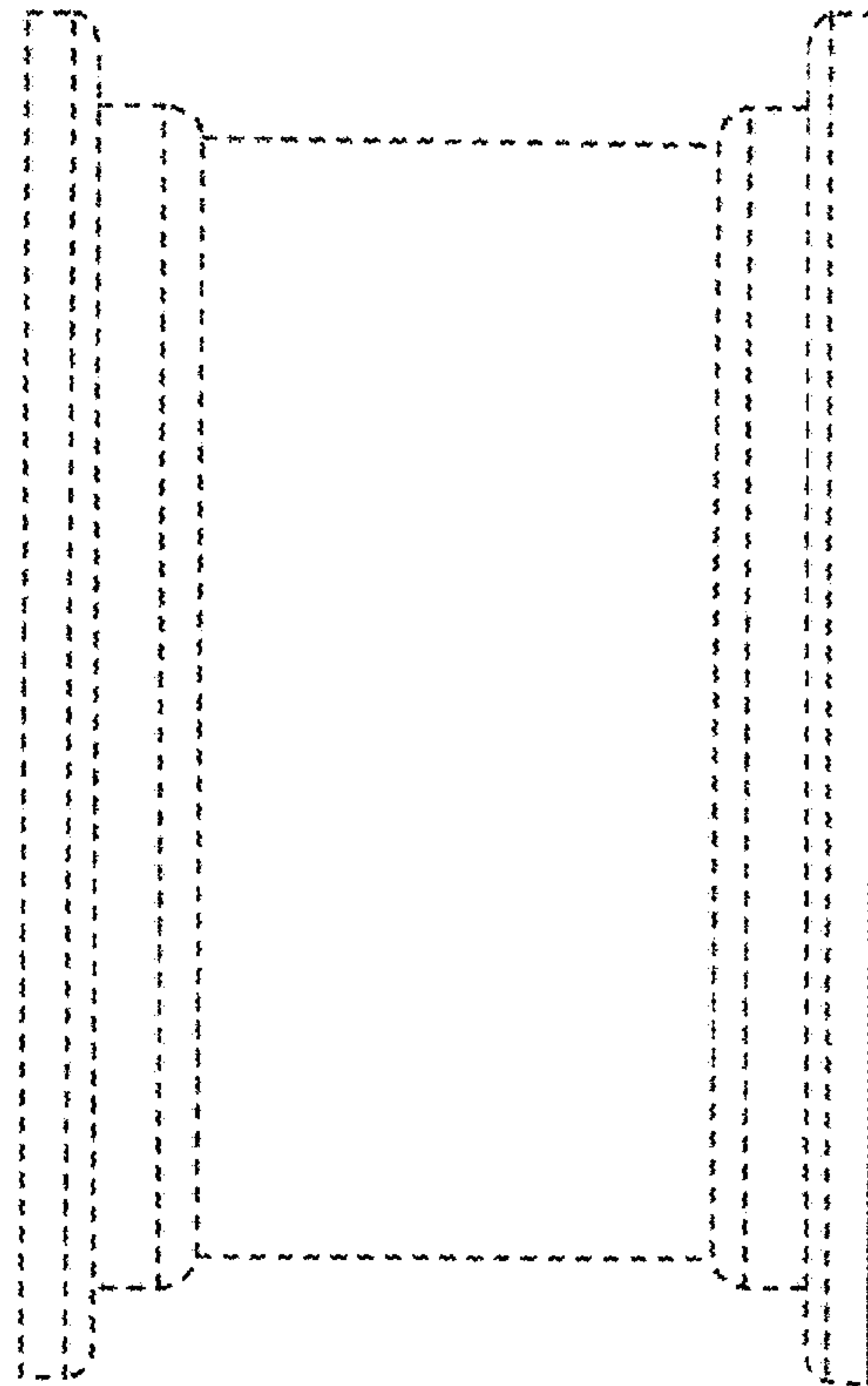


Fig. 9

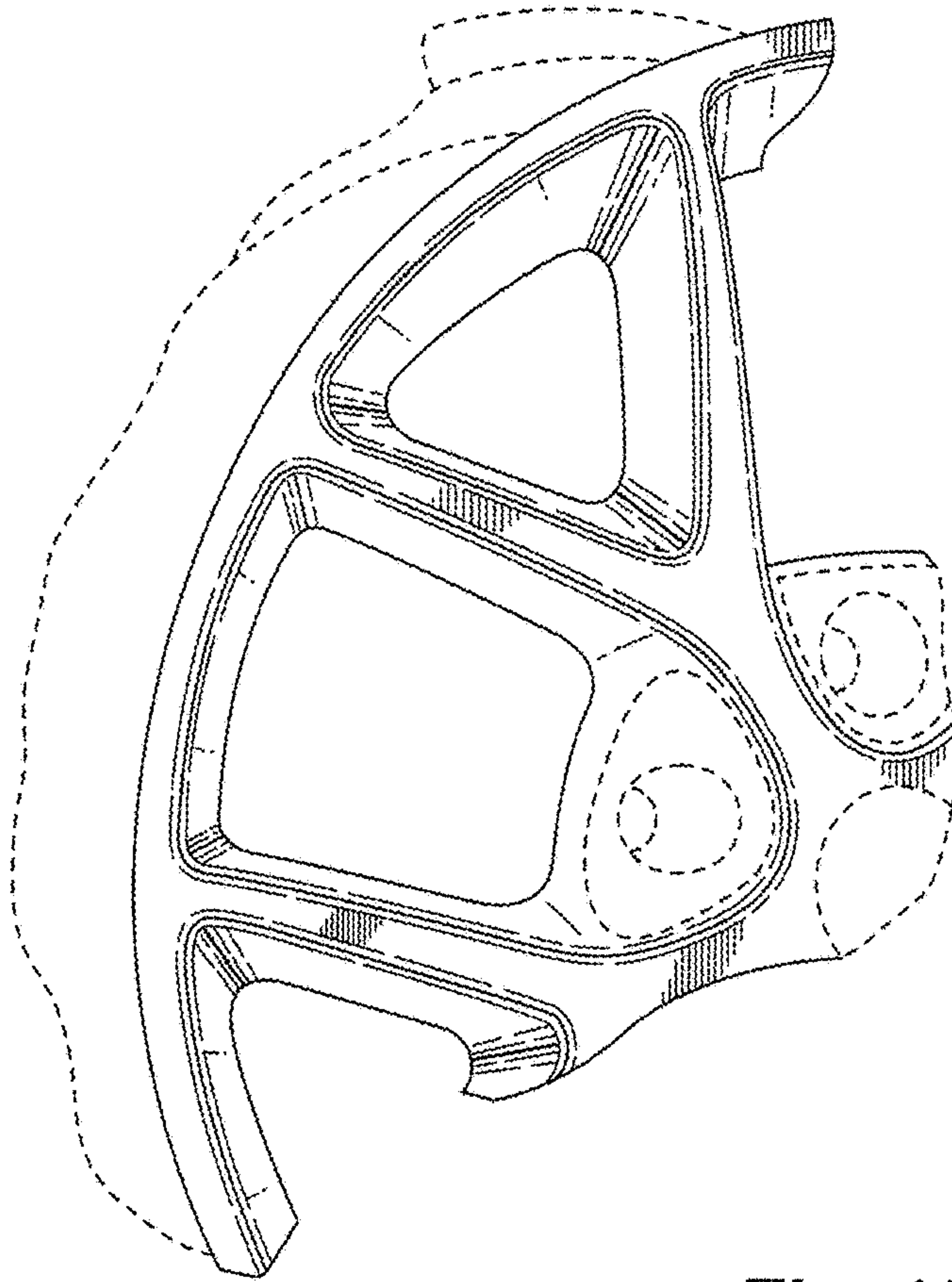


Fig. 10