



US00D810644S

(12) **United States Design Patent**  
**Welter**

(10) **Patent No.:** **US D810,644 S**  
(45) **Date of Patent:** **\*\* Feb. 20, 2018**

(54) **EXHAUST SYSTEM**

(71) Applicant: **Welter Performance, LLC**, Sikeston,  
MO (US)

(72) Inventor: **Jeffrey P. Welter**, Sikeston, MO (US)

(\*\*) Term: **15 Years**

(21) Appl. No.: **29/565,159**

(22) Filed: **May 18, 2016**

(51) **LOC (11) Cl.** ..... **12-16**

(52) **U.S. Cl.**  
USPC ..... **D12/194**

(58) **Field of Classification Search**  
USPC ..... D12/190, 194, 42-43, 317, 345, 106,  
D12/114, 172  
CPC ..... F02B 33/02; F02B 27/00; F02B 27/06;  
F01N 1/00; F01N 1/24; F01N 1/04; F01N  
3/28; F01N 3/10; F01N 3/035; F01N  
3/00; F01N 3/023; F01N 3/025; F01N  
3/02; F01N 3/05; F01N 13/00; F01N  
13/04; F01N 13/1805; F01N 13/08; F01N  
13/082; F01N 7/14; F01N 7/24; F01N  
7/08; F01N 7/18; F01N 2340/04; B60K  
13/04; B60K 13/00

See application file for complete search history.

(56) **References Cited**

**U.S. PATENT DOCUMENTS**

6,026,930 A \* 2/2000 Ogisu ..... F01N 1/084  
181/227  
2002/0175022 A1 \* 11/2002 Schumacher ..... F01N 13/011  
181/254  
2007/0181360 A1 \* 8/2007 Nakayama ..... F01N 1/02  
180/309  
2010/0192558 A1 \* 8/2010 Matsueda ..... B60K 13/04  
60/322  
2015/0152771 A1 \* 6/2015 Anshu ..... F01N 13/10  
60/323  
2015/0192055 A1 \* 7/2015 Kondo ..... F01N 1/084  
181/227

**FOREIGN PATENT DOCUMENTS**

CN 203614183 U \* 5/2014  
DE 10261829 A1 \* 7/2004 ..... F01N 13/04  
JP 2010190204 A \* 9/2010

(Continued)

**OTHER PUBLICATIONS**

Roush Performance 3 in. Cat-Back Exhaust w/ Y-Pipe Tip—Single Rear Exit, posted at Americanmuscle.com, posted on Jan. 10, 2017, site visited Mar. 17, 2017, <<http://www.americanmuscle.com/roush-performance-3in-catback-exhaust-single-rear-exit-1014rap.html>>.\*

(Continued)

*Primary Examiner* — Barbara Fox  
*Assistant Examiner* — Messina L Smith  
(74) *Attorney, Agent, or Firm* — Polsinelli PC

(57) **CLAIM**

The ornamental design for an exhaust system, as shown and described.

**DESCRIPTION**

FIG. 1 is a perspective view of an exhaust system showing my new design.

FIG. 2 is a left side view of the exhaust system;

FIG. 3 is a rear view of the exhaust system;

FIG. 4 is a right side view of the exhaust system;

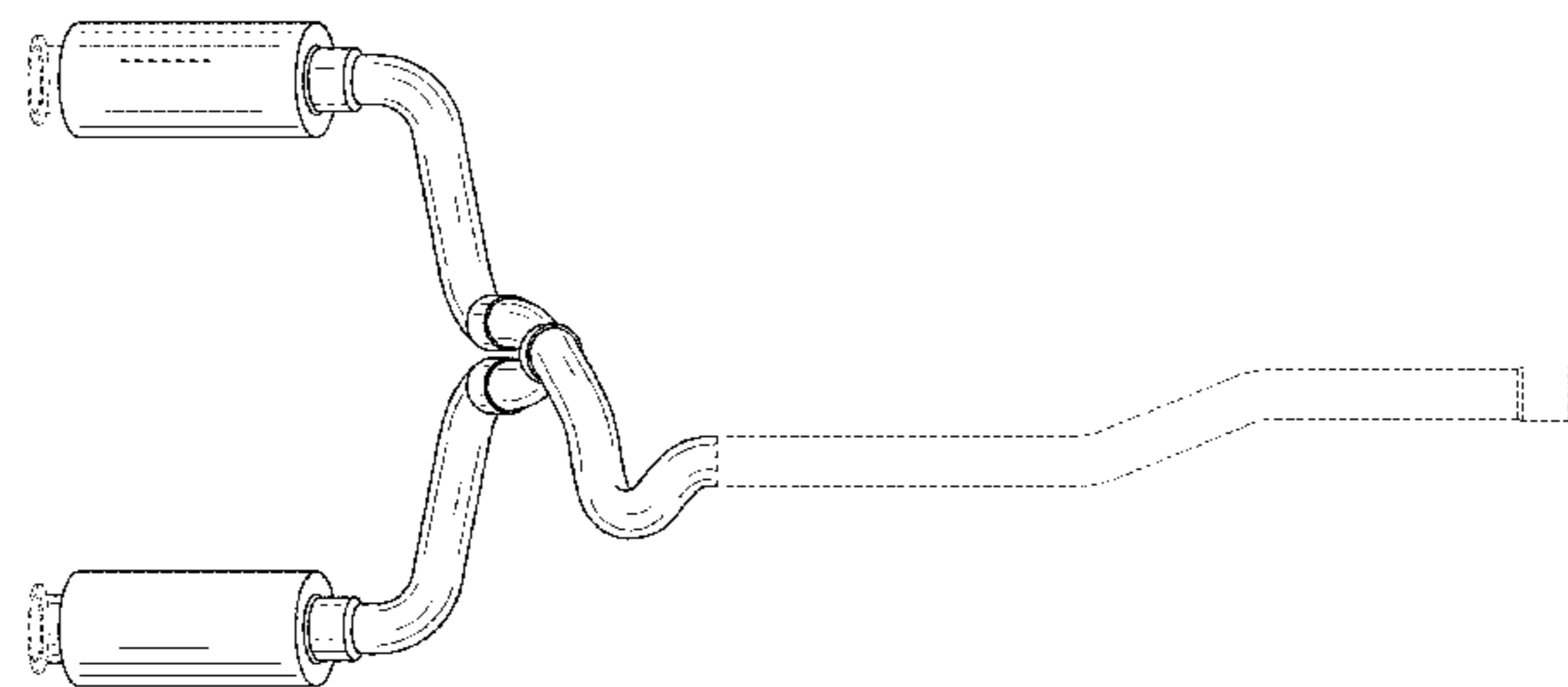
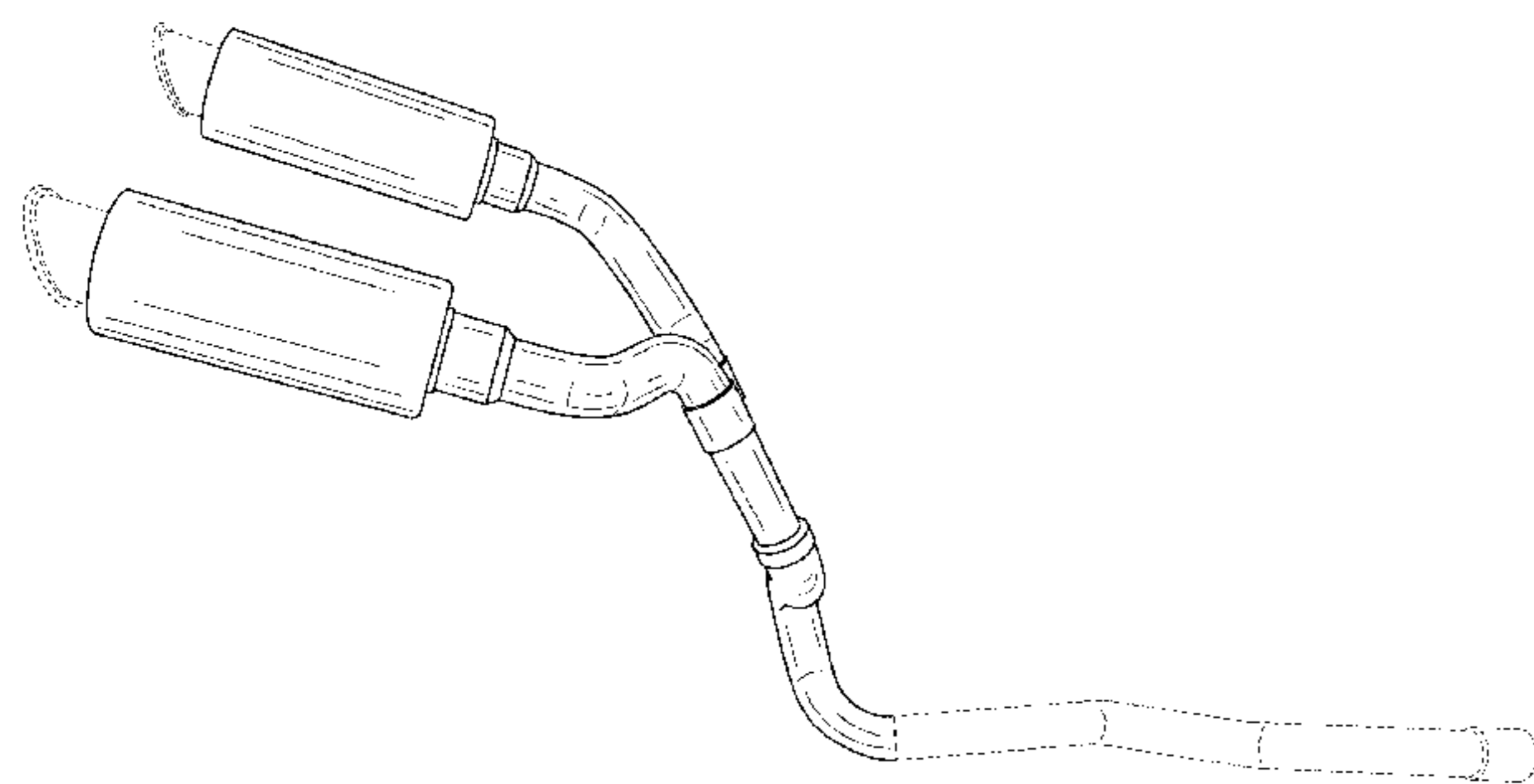
FIG. 5 is a front view of the exhaust system;

FIG. 6 is a top view of the exhaust system; and,

FIG. 7 is a bottom view of the exhaust system.

The broken lines showing in the figures are included for the purpose of illustrating portions of the exhaust system that form no part of the claimed design. The dash-dot lines showing in the figures are included for defining the bounds of the claimed design that form no part thereof.

**1 Claim, 5 Drawing Sheets**



(56)

**References Cited**

FOREIGN PATENT DOCUMENTS

JP 2011144690 A \* 7/2011

OTHER PUBLICATIONS

Welter WP Dual Exhaust for the Polaris Slingshot, posted at Slingshotonly.com, posted on Feb. 4, 2017, site visited Mar. 17, 2017, <<https://slingshotonly.com/polaris-slingshot-accessories/welter-wp-dual-exhaust-polaris-slingshot/>>.\*

WP Dual, posted at Welterperformance.com, posted on © 2017, site visited Mar. 17, 2017, <<https://welterperformance.com/product/wp-dual/>>.\*

\* cited by examiner

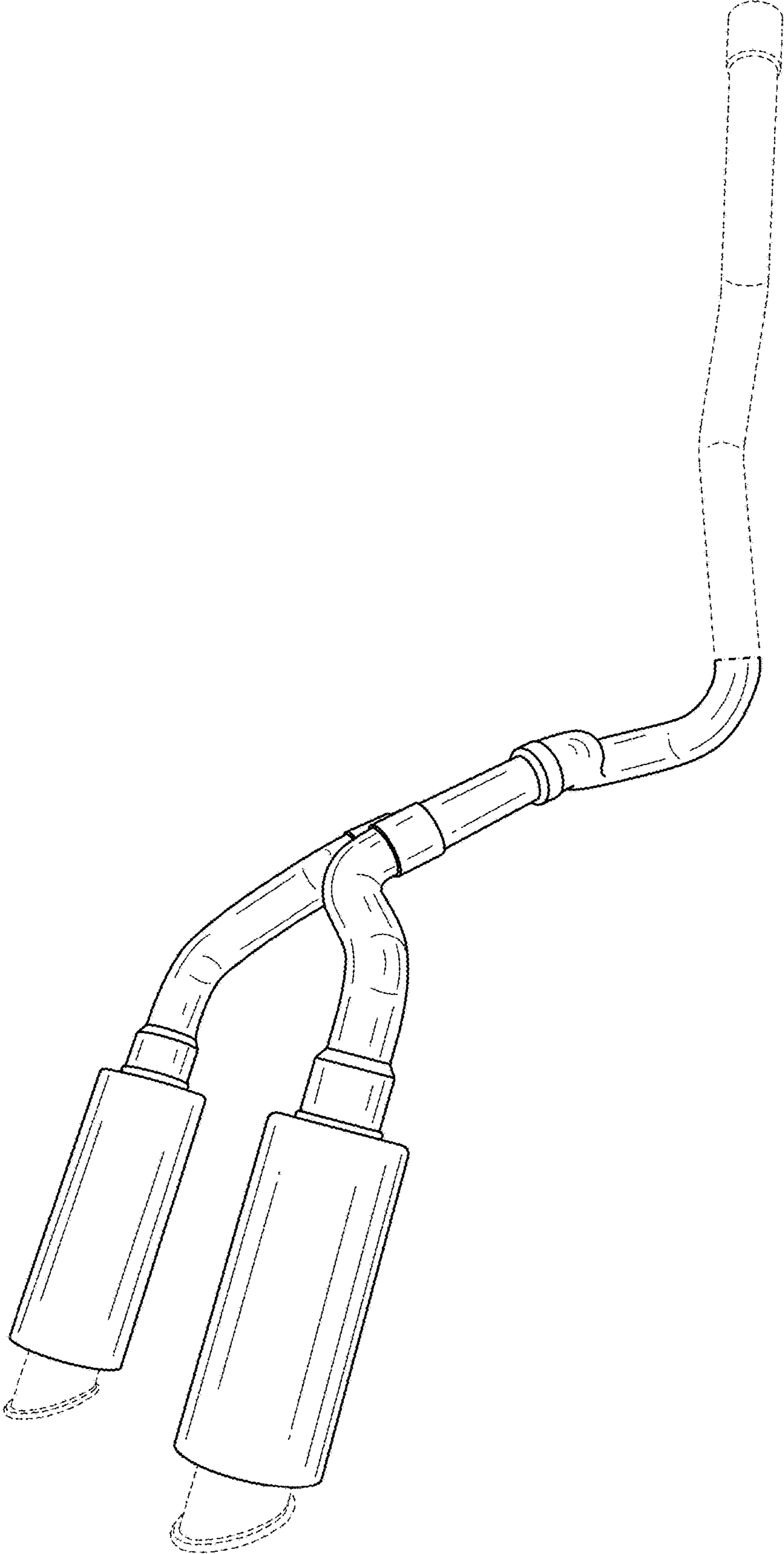


FIG. 1

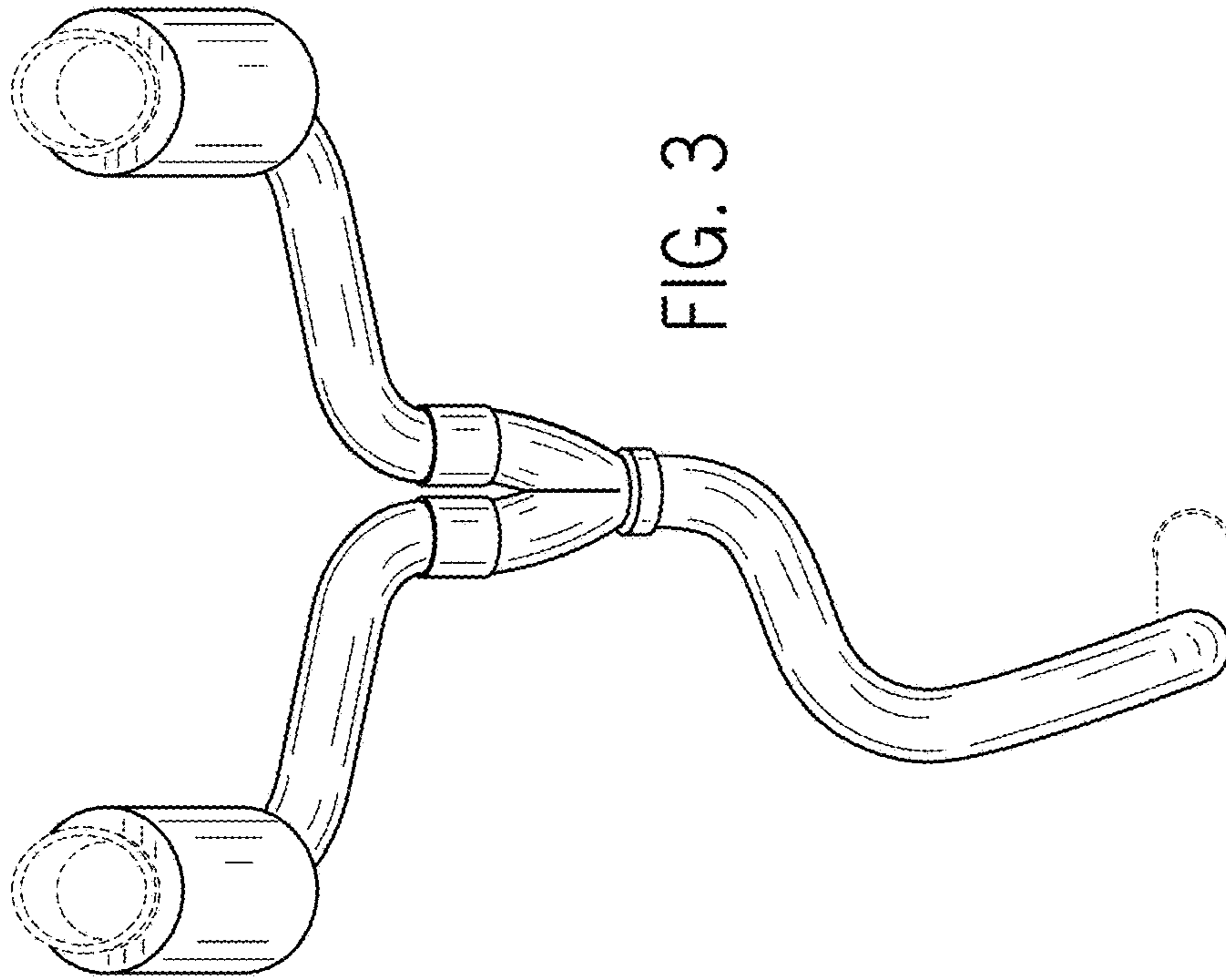


FIG. 3

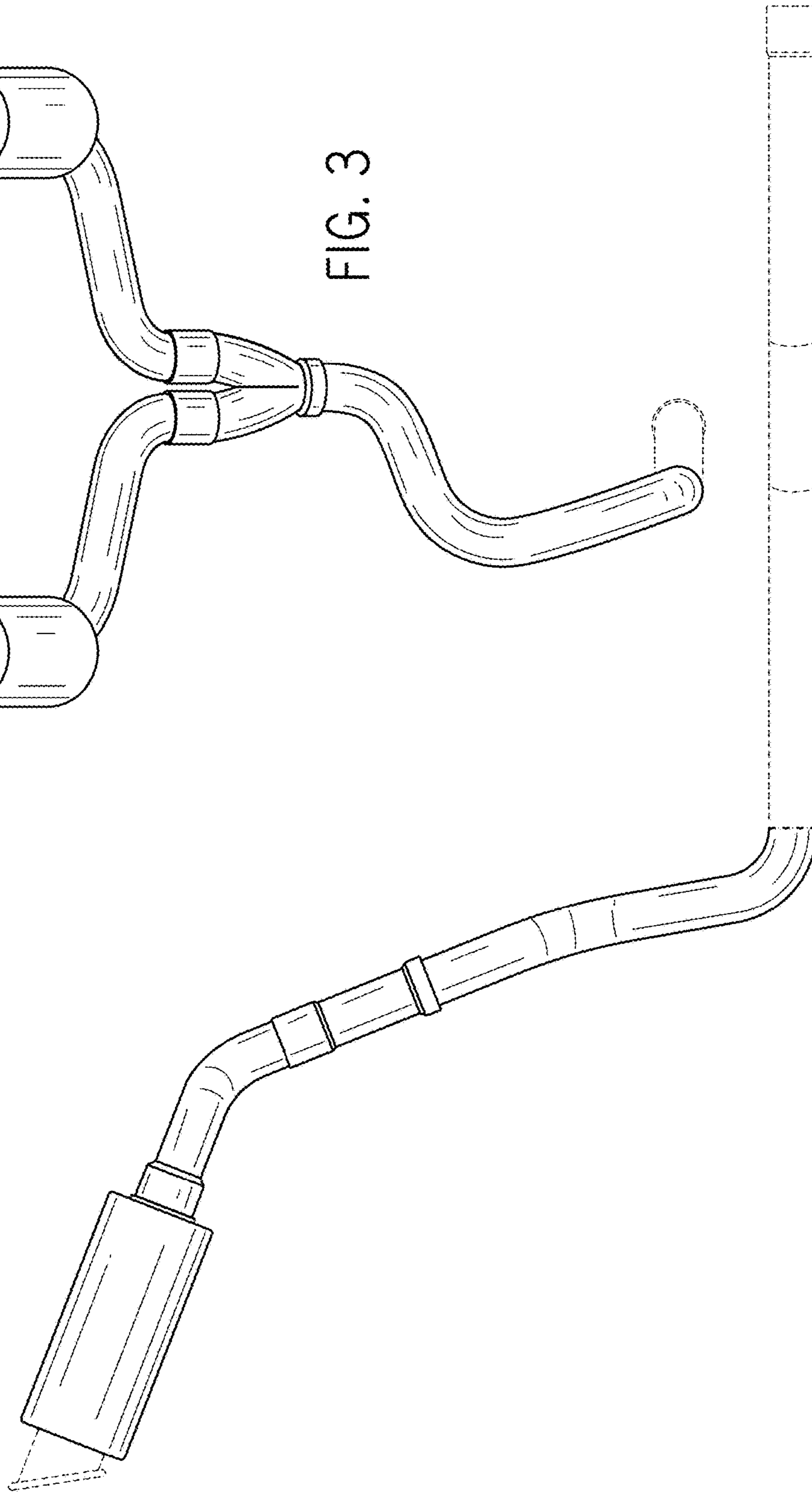


FIG. 2

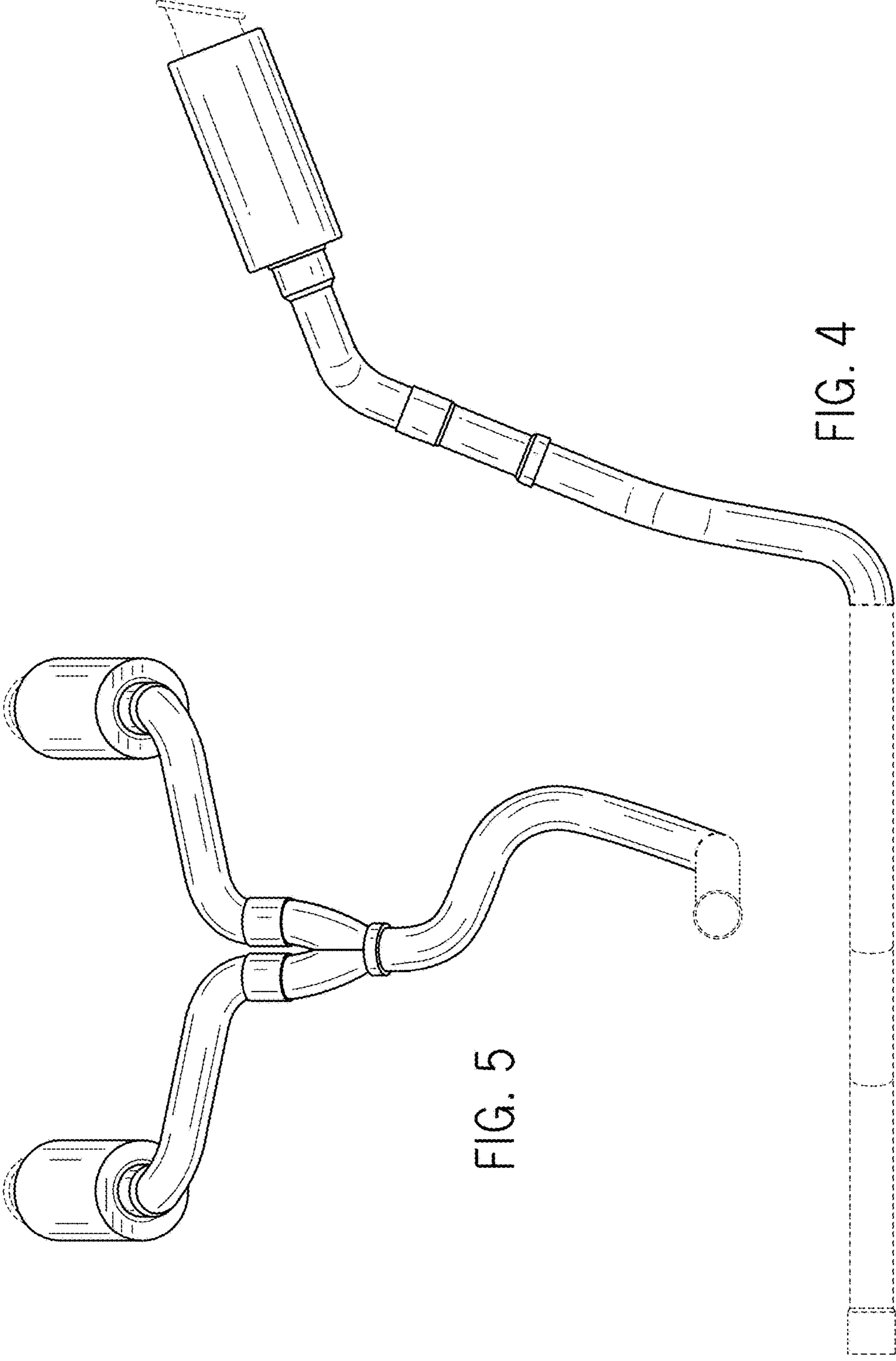


FIG. 4

FIG. 5

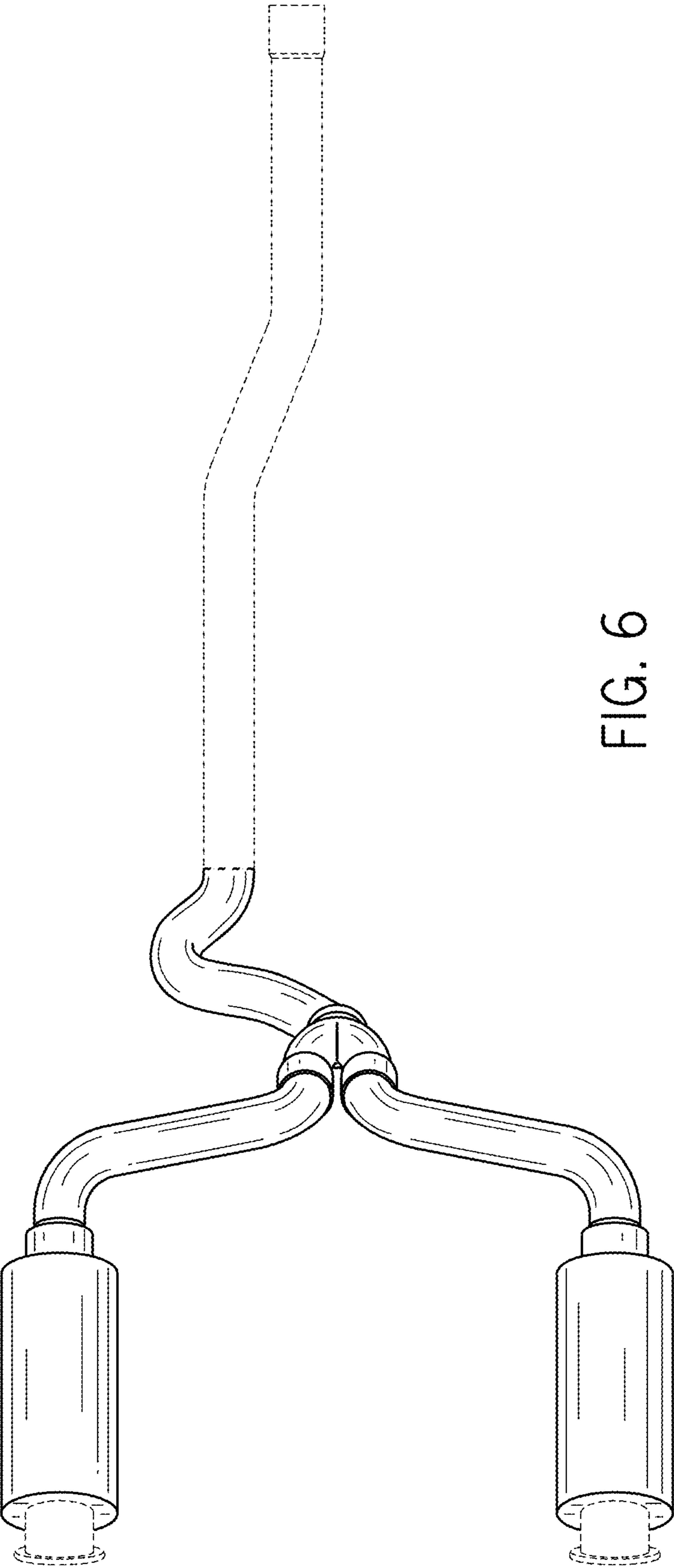


FIG. 6

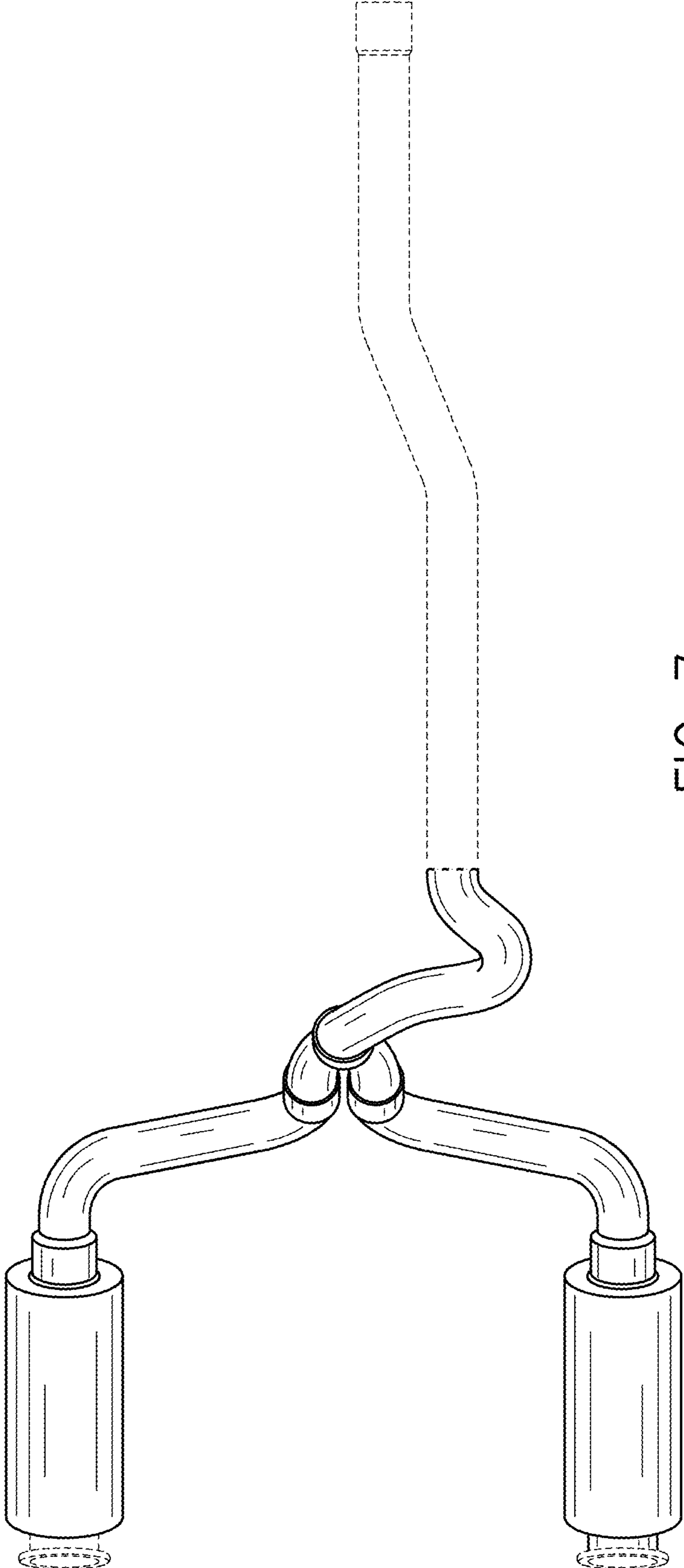


FIG. 7