



US00D810642S

(12) **United States Design Patent**
Nakaya et al.

(10) **Patent No.:** **US D810,642 S**

(45) **Date of Patent:** **** Feb. 20, 2018**

(54) **INSTRUMENT PANEL FOR AUTOMOBILE**

(71) Applicant: **mitsubishi JIDOSHA KOGYO
KABUSHIKI KAISHA**, Tokyo (JP)

(72) Inventors: **Hiroshi Nakaya**, Tokyo (JP); **Shinichi
Miyazaki**, Tokyo (JP)

(73) Assignee: **mitsubishi JIDOSHA KOGYO
KABUSHIKI KAISHA**, Tokyo (JP)

(**) Term: **15 Years**

(21) Appl. No.: **29/597,891**

(22) Filed: **Mar. 21, 2017**

(30) **Foreign Application Priority Data**

Sep. 22, 2016 (JP) 2016-020413

(51) **LOC (11) Cl.** **12-16**

(52) **U.S. Cl.**
USPC **D12/192**

(58) **Field of Classification Search**
USPC D12/192, 415, 110, 114; D15/17, 28;
D10/46, 98, 102-103, 122-127
CPC G08G 1/096883; G01C 21/16; G01C
21/3688; G01C 21/30

See application file for complete search history.

(56) **References Cited**

U.S. PATENT DOCUMENTS

D762,152 S * 7/2016 Inagaki D12/192
D763,154 S * 8/2016 Chang D12/192

D763,155 S * 8/2016 Sahs D12/192
D770,348 S * 11/2016 Shimizu D12/192
D770,953 S * 11/2016 Tanaka D12/192
D771,541 S * 11/2016 Shouno D12/192
D776,029 S * 1/2017 Callum D12/192
D778,796 S * 2/2017 Gommier D12/192
D780,649 S * 3/2017 Tanaka D12/192
D793,931 S * 8/2017 Lee D12/192
D795,145 S * 8/2017 Miyashita D12/192
D795,146 S * 8/2017 Ogawa D12/192

* cited by examiner

Primary Examiner — Katrina A Betton

(74) *Attorney, Agent, or Firm* — Birch, Stewart, Kolasch
& Birch, LLP

(57) **CLAIM**

The ornamental design for an instrument panel for automobile, as shown and described.

DESCRIPTION

FIG. 1 is a left-side perspective view of an instrument panel for automobile showing my new design;
FIG. 2 is a right-side perspective view thereof;
FIG. 3 is a front view thereof;
FIG. 4 is a rear view thereof;
FIG. 5 is a left side view thereof;
FIG. 6 is a right side view thereof; and
FIG. 7 is a top view thereof; and,
FIG. 8 is a bottom view thereof.

The broken line showing the automobile is included for the purpose of illustrating portions of the automobile and forms no part of the claimed design.

1 Claim, 8 Drawing Sheets

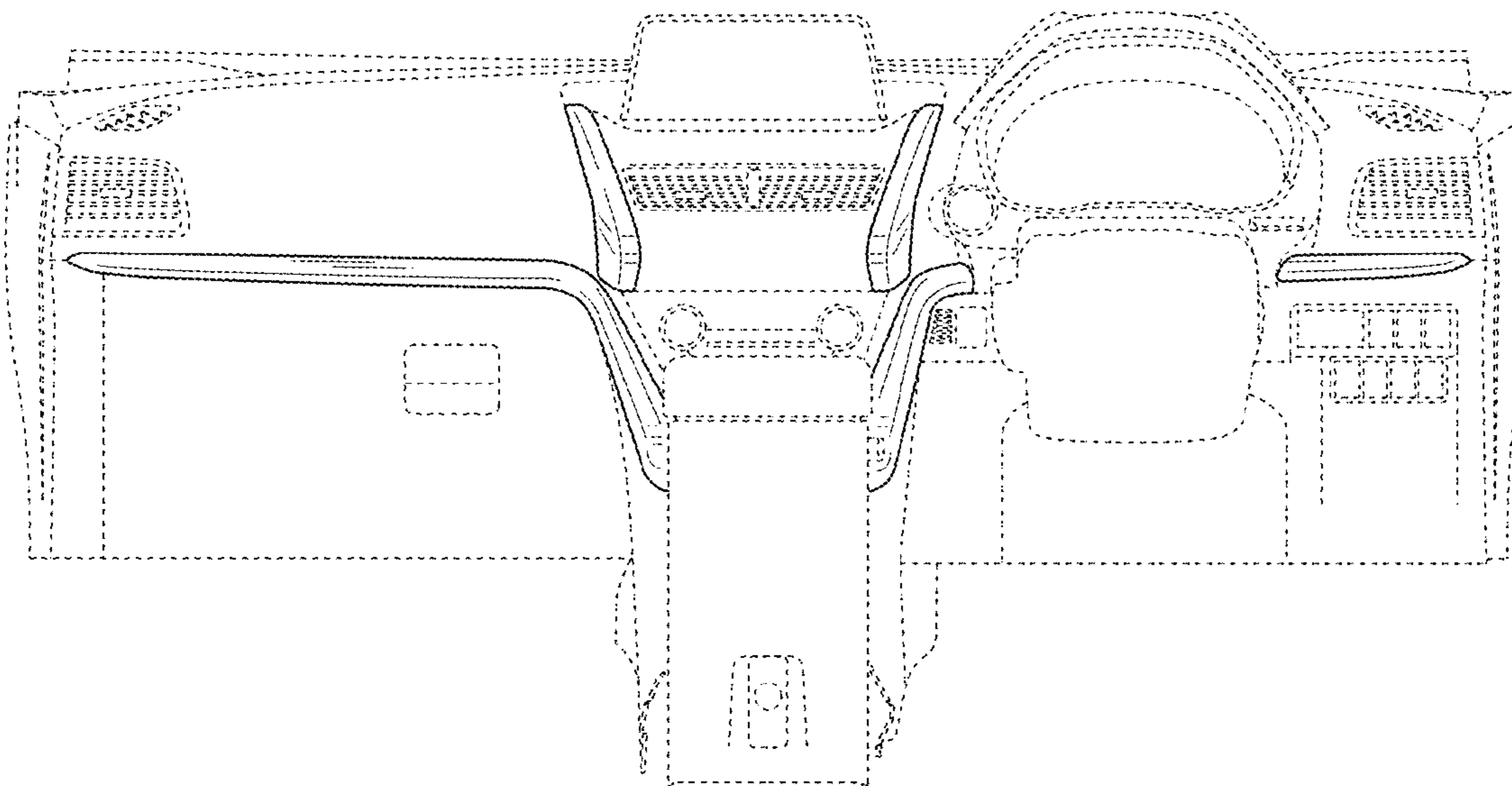


Fig. 1

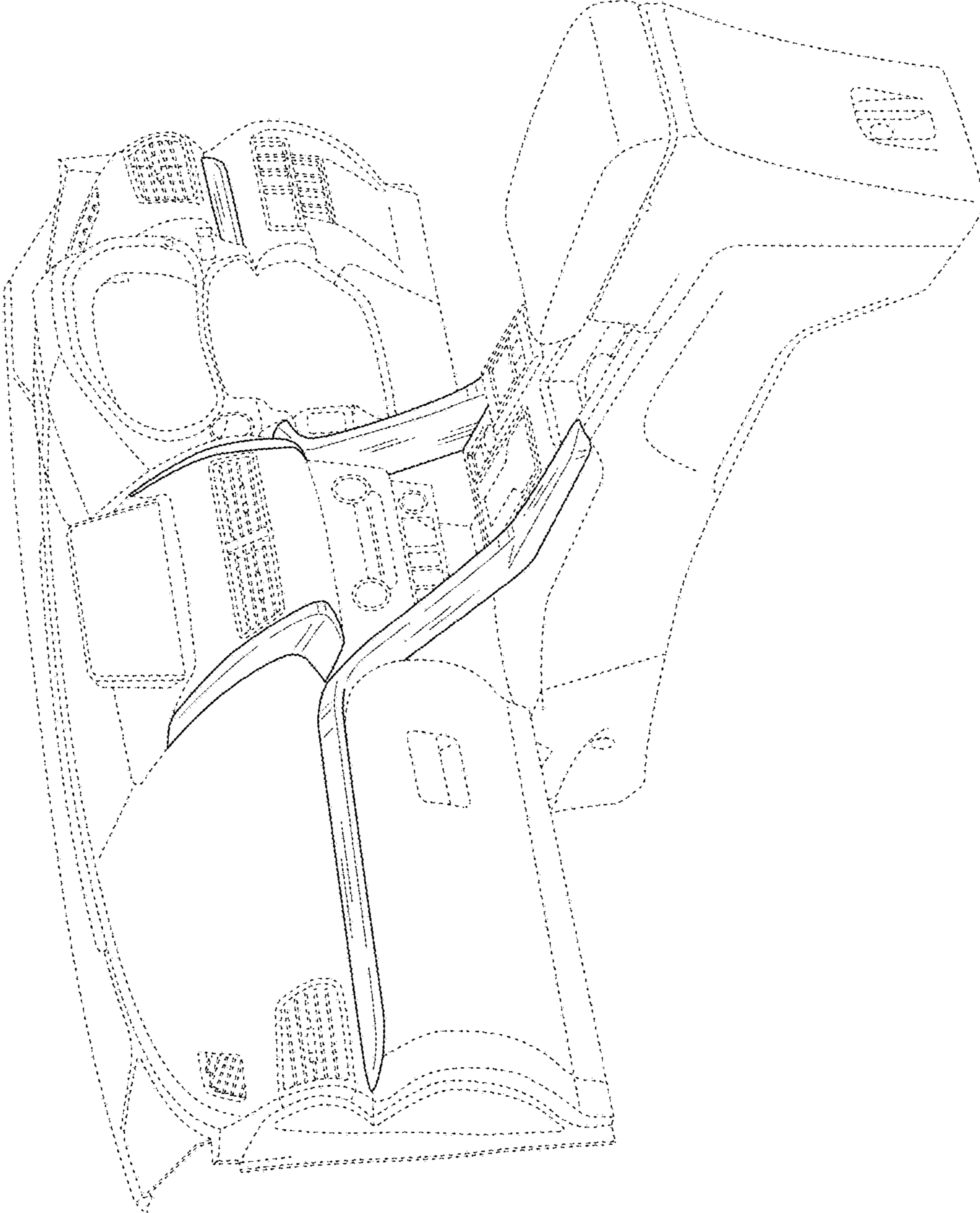


Fig. 2

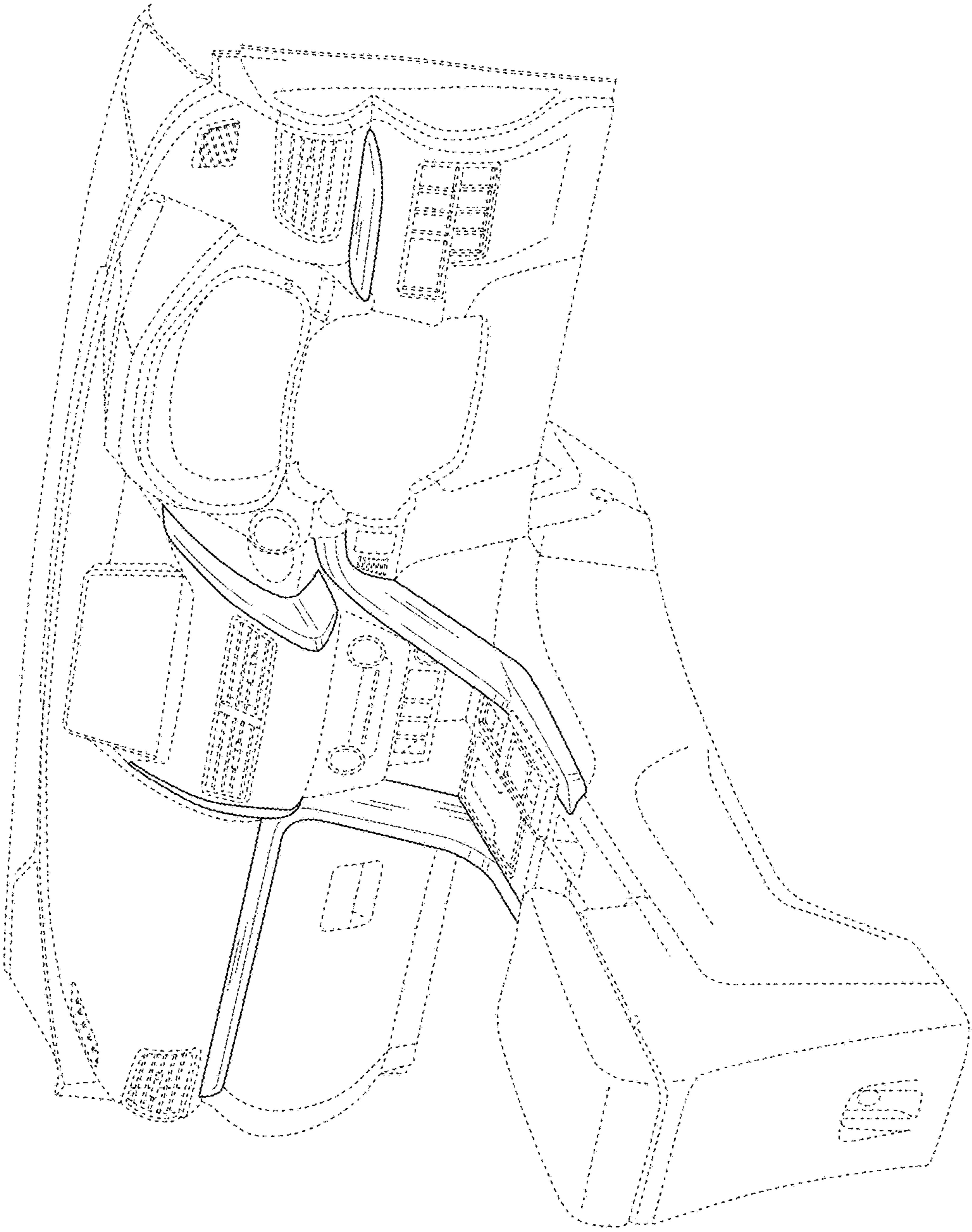


Fig. 3

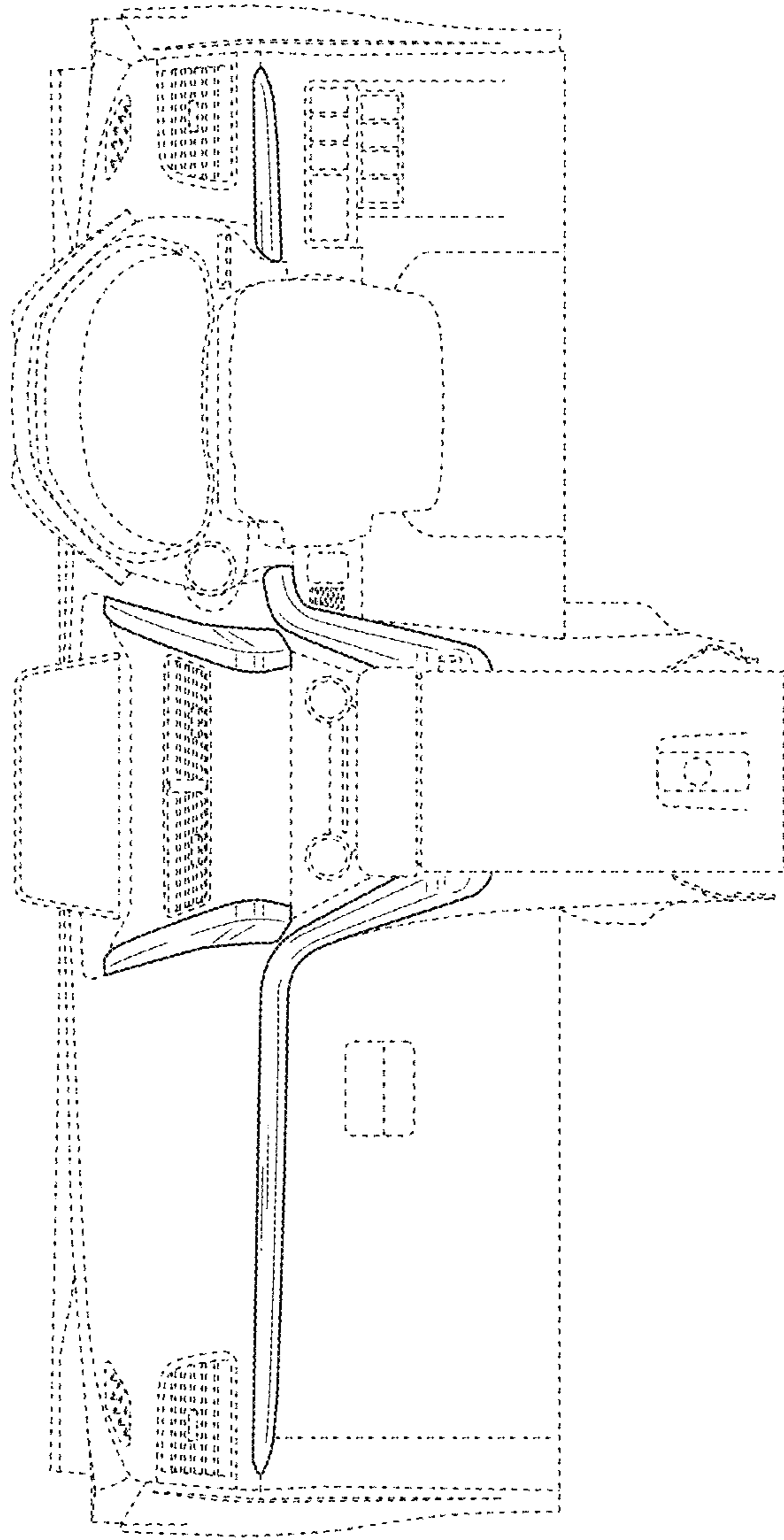


Fig. 4

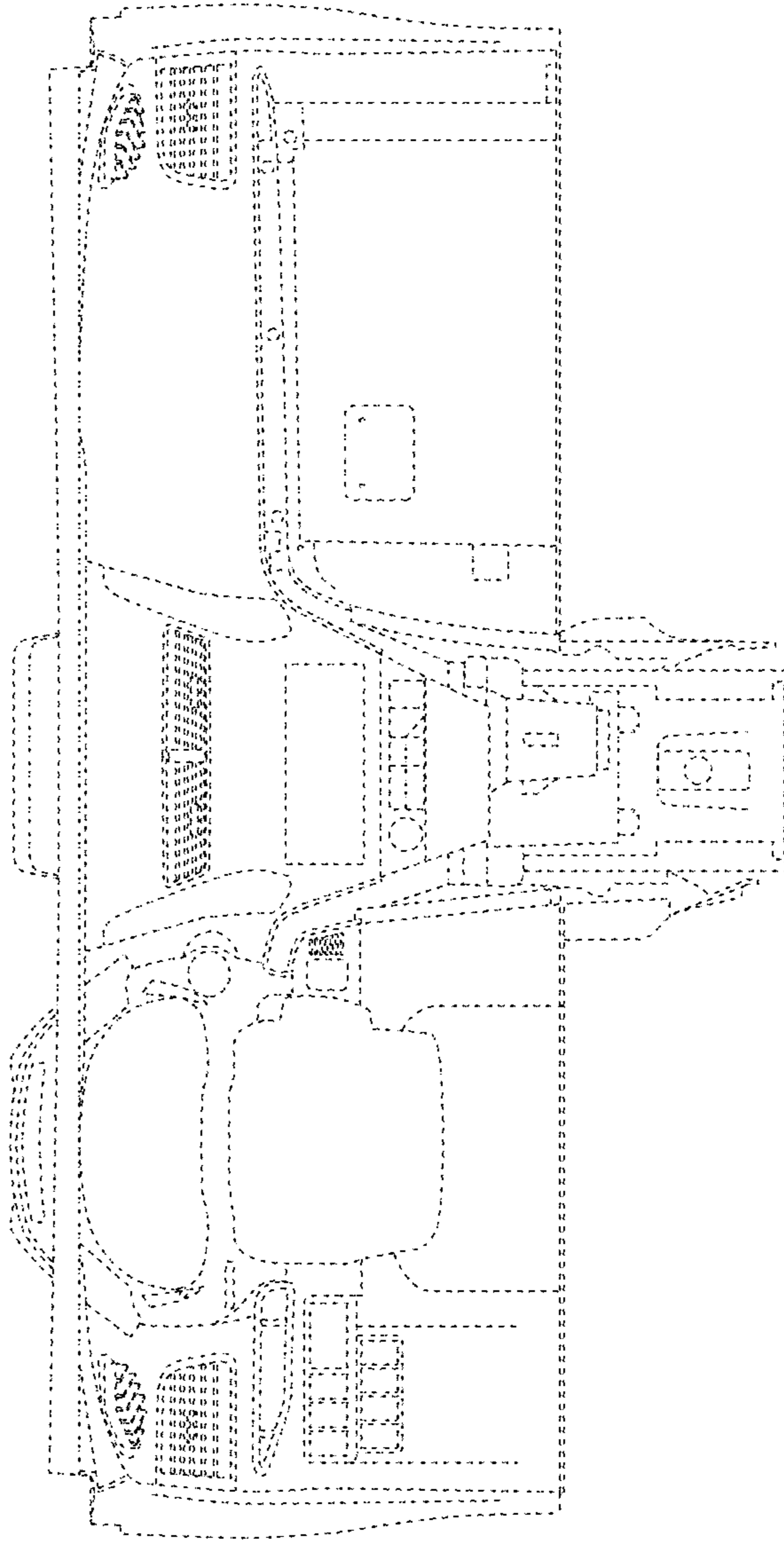


Fig. 5

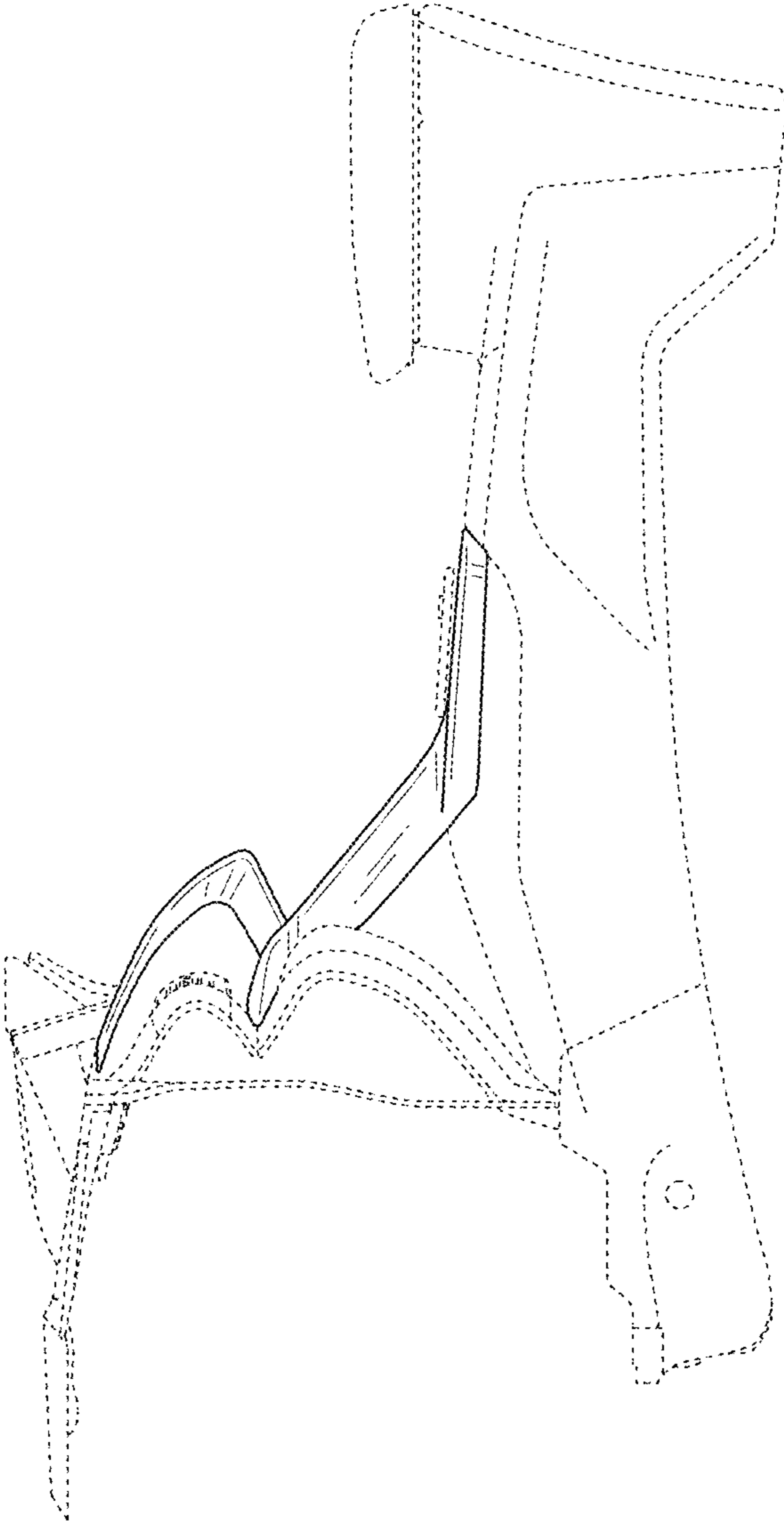


Fig. 6

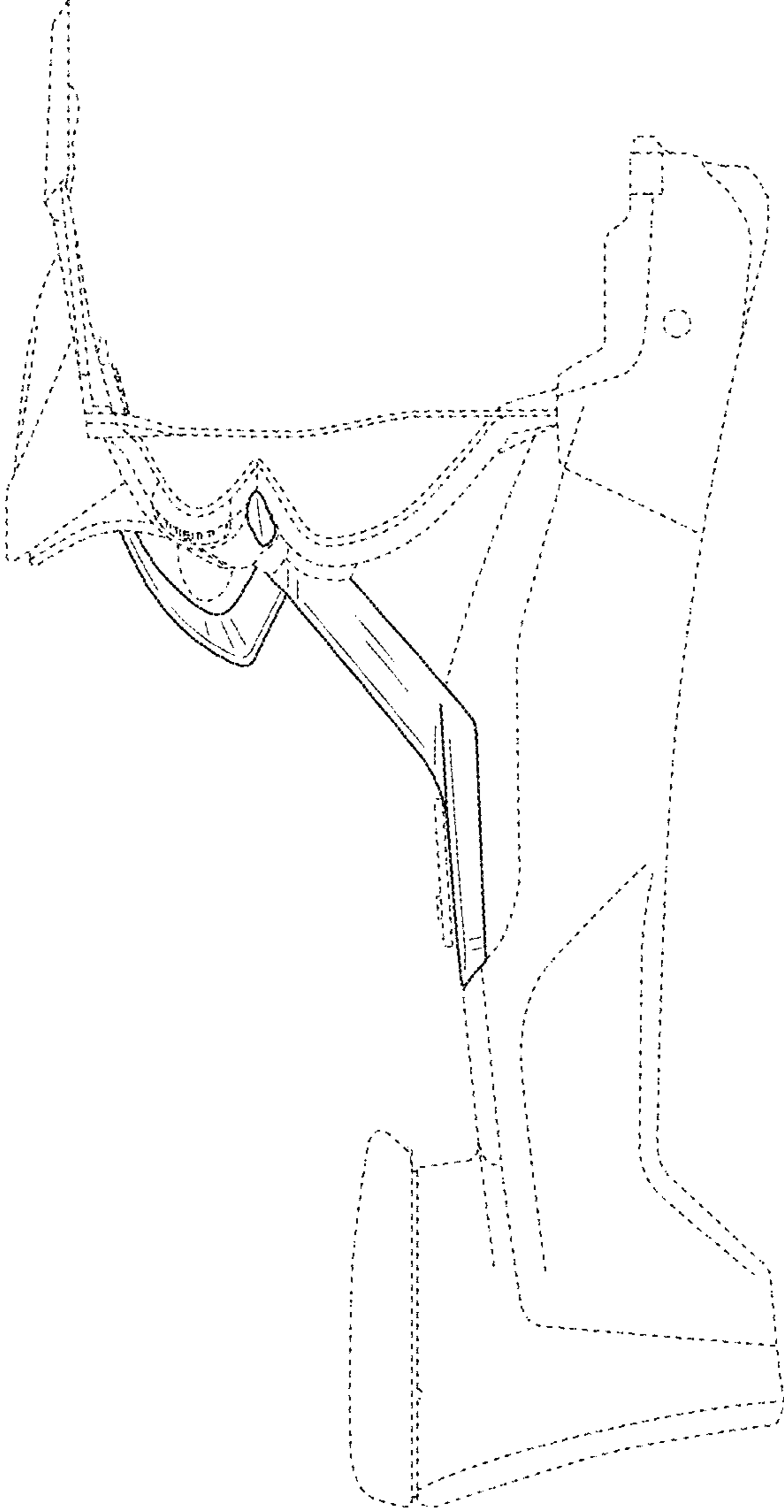


Fig. 7

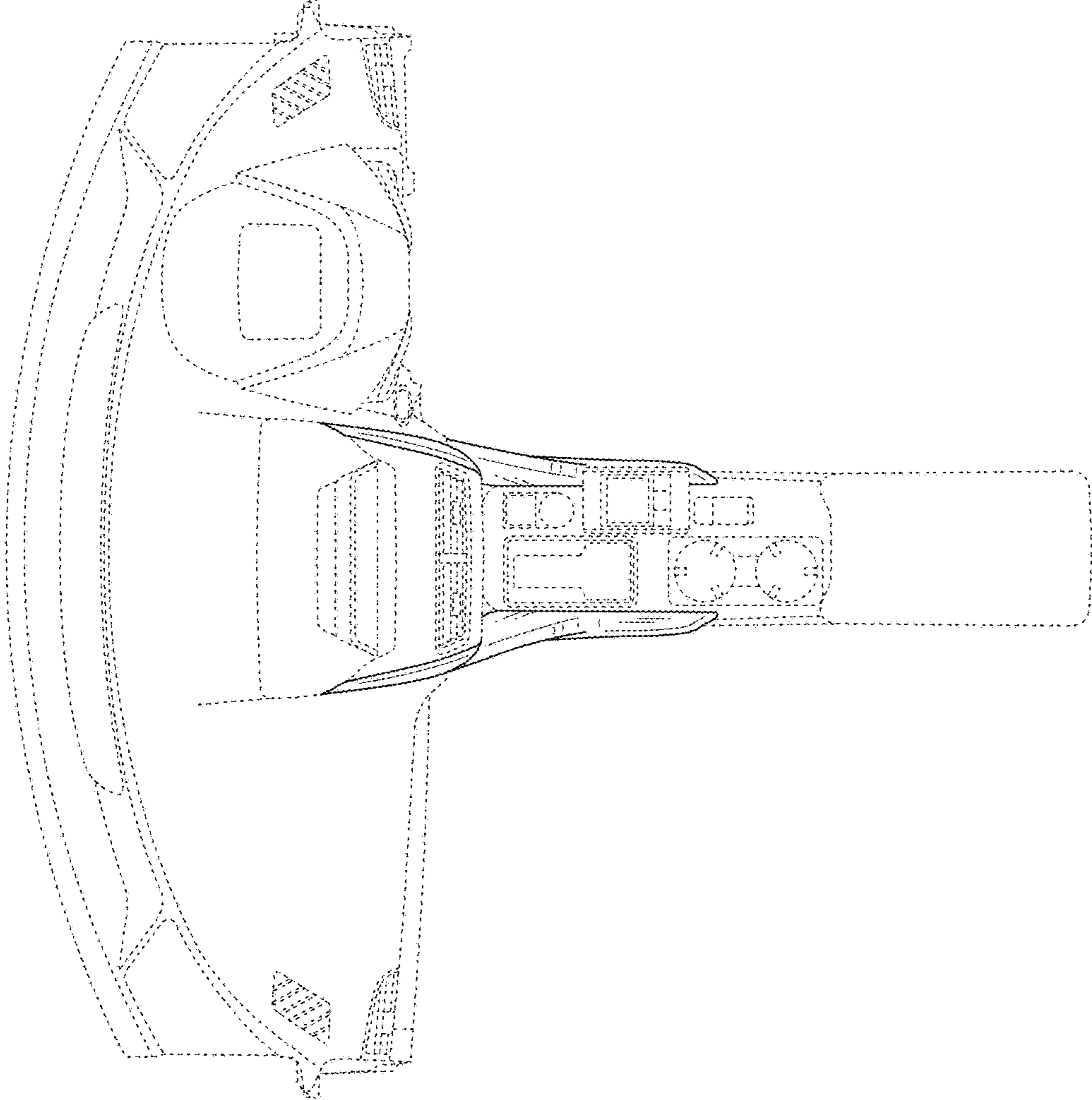


Fig. 8

