



US00D810639S

(12) **United States Design Patent** (10) **Patent No.:** **US D810,639 S**
Li (45) **Date of Patent:** **** Feb. 20, 2018**

- (54) **BUMPER/GRILLE GUARD FOR VEHICLES**
- (71) Applicant: **M2 Distribution Ltd.**, Bellingham, WA (US)
- (72) Inventor: **Ming Li**, Coquitlam (CA)
- (73) Assignee: **M2 Distribution Ltd.**, Bellingham, WA (US)
- (**) Term: **15 Years**
- (21) Appl. No.: **29/580,905**
- (22) Filed: **Oct. 13, 2016**
- (51) **LOC (11) Cl.** **12-16**
- (52) **U.S. Cl.**
USPC **D12/171**
- (58) **Field of Classification Search**
USPC D12/86-92, 163-172
CPC B60R 19/18; B60R 19/24; B60R 19/44;
B60R 19/48; B60R 19/56; B60R
2019/527; B60R 2019/1886; B62D
25/0845
See application file for complete search history.

- D507,999 S * 8/2005 Potak D12/171
- D517,963 S * 3/2006 Potak D12/171
- D523,383 S * 6/2006 Fox D12/171
- D527,696 S * 9/2006 Ichikawa D12/171
- D528,481 S * 9/2006 Taveras D12/171
- D532,348 S * 11/2006 Kudo D12/171
- D535,923 S * 1/2007 Katoh D12/171
- D551,138 S * 9/2007 Storer D12/171
- D572,180 S * 7/2008 Storer D12/171
- D577,319 S * 9/2008 Storer D12/171
- D580,322 S * 11/2008 Schroeder D12/107
- D606,913 S * 12/2009 Robertson D12/171
- D614,095 S * 4/2010 Fretz D12/171
- D614,096 S * 4/2010 Fretz D12/171
- D618,600 S * 6/2010 Lorenzo D12/171
- D619,060 S * 7/2010 Lorenzo D12/171
- D619,061 S * 7/2010 Lorenzo D12/171
- D626,474 S * 11/2010 Lorenzo D12/171
- D636,305 S * 4/2011 Alvarez D12/171

(Continued)

Primary Examiner — Darlington Ly
(74) *Attorney, Agent, or Firm* — Michael R. Schacht;
Schacht Law Offices, Inc.

(57) **CLAIM**

The ornamental design for a bumper/grille guard for vehicles, as shown and described.

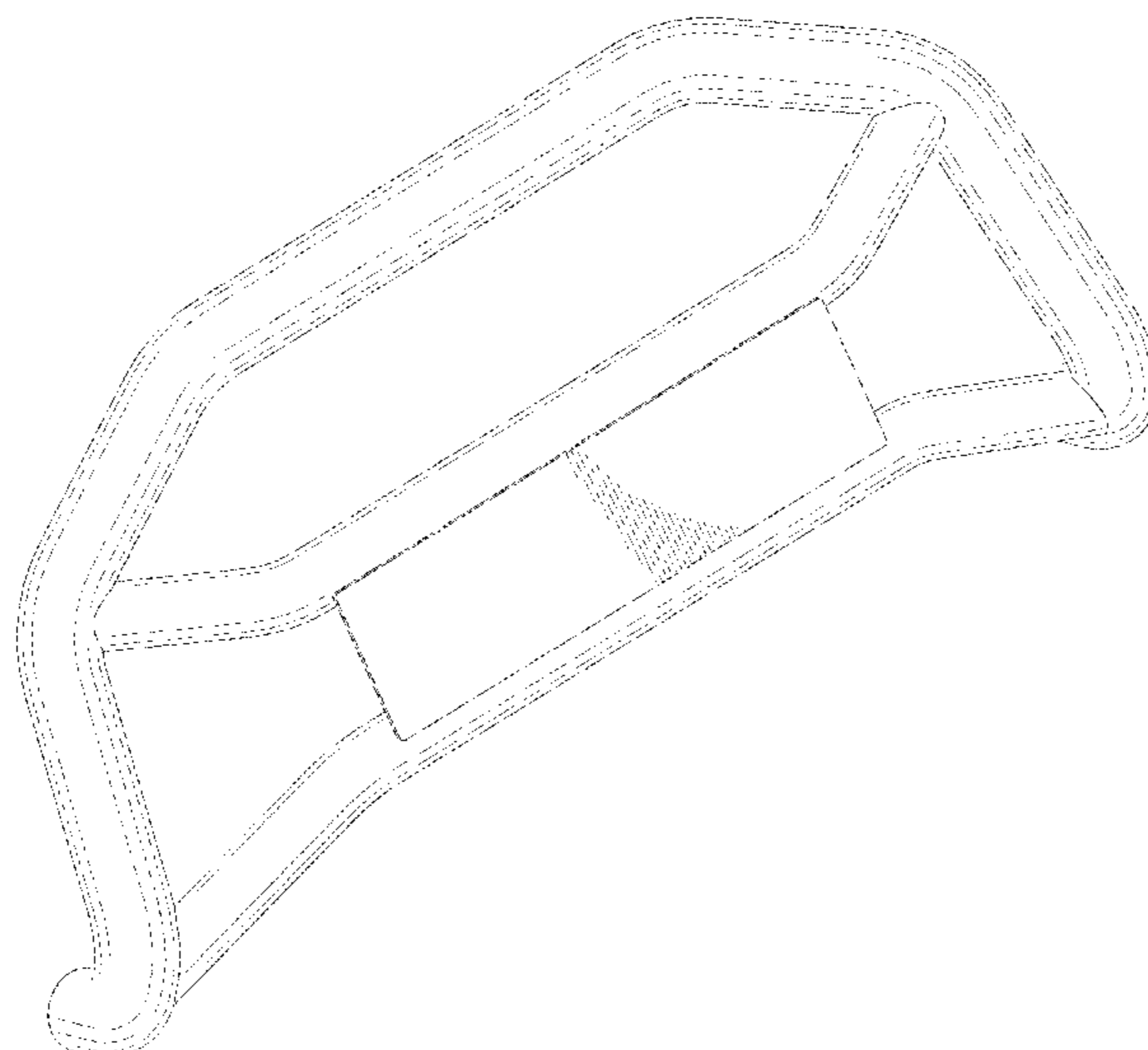
DESCRIPTION

FIG. 1 is a top, front, and right side perspective view of a bumper/grille guard for vehicles showing my new design; FIG. 2 is a front elevation view thereof; FIG. 3 is a left side elevation view thereof; FIG. 4 is a right side elevation view thereof; FIG. 5 is a top plan view thereof; FIG. 6 is a bottom plan view thereof; and, FIG. 7 is a rear elevation view thereof. The broken lines shown illustrate portions of the bumper/grille guard for vehicles that form no part of the claimed design.

1 Claim, 5 Drawing Sheets

(56) **References Cited**
U.S. PATENT DOCUMENTS

- D333,457 S * 2/1993 La Foe D12/171
- D361,316 S * 8/1995 Orth, Sr. D12/171
- D383,719 S * 9/1997 Thorne D12/171
- D384,625 S * 10/1997 Thorne D12/171
- D388,042 S * 12/1997 Thorne D12/171
- D396,678 S * 8/1998 Shklyaver D12/171
- D410,879 S * 6/1999 Orth, Sr. D12/171
- D416,219 S * 11/1999 Waagenaar D12/171
- D420,962 S * 2/2000 Chevalier D12/171
- D422,952 S * 4/2000 Waagenaar D12/171
- D422,953 S * 4/2000 Waagenaar D12/171
- D425,462 S * 5/2000 Ujiie D12/171
- D440,530 S * 4/2001 Geisler D12/171
- D483,708 S * 12/2003 Roehmer D12/171



(56)

References Cited

U.S. PATENT DOCUMENTS

D640,618 S *	6/2011	Lorenzo	D12/171
D689,417 S *	9/2013	Shelters	D12/171
D724,505 S *	3/2015	Schroeder	D12/171
D726,605 S *	4/2015	Schroeder	D12/171
D743,856 S *	11/2015	Ma	D12/171
D755,094 S *	5/2016	Lanini	D12/171
D777,618 S *	1/2017	Setina	D12/171

* cited by examiner

FIG. 1

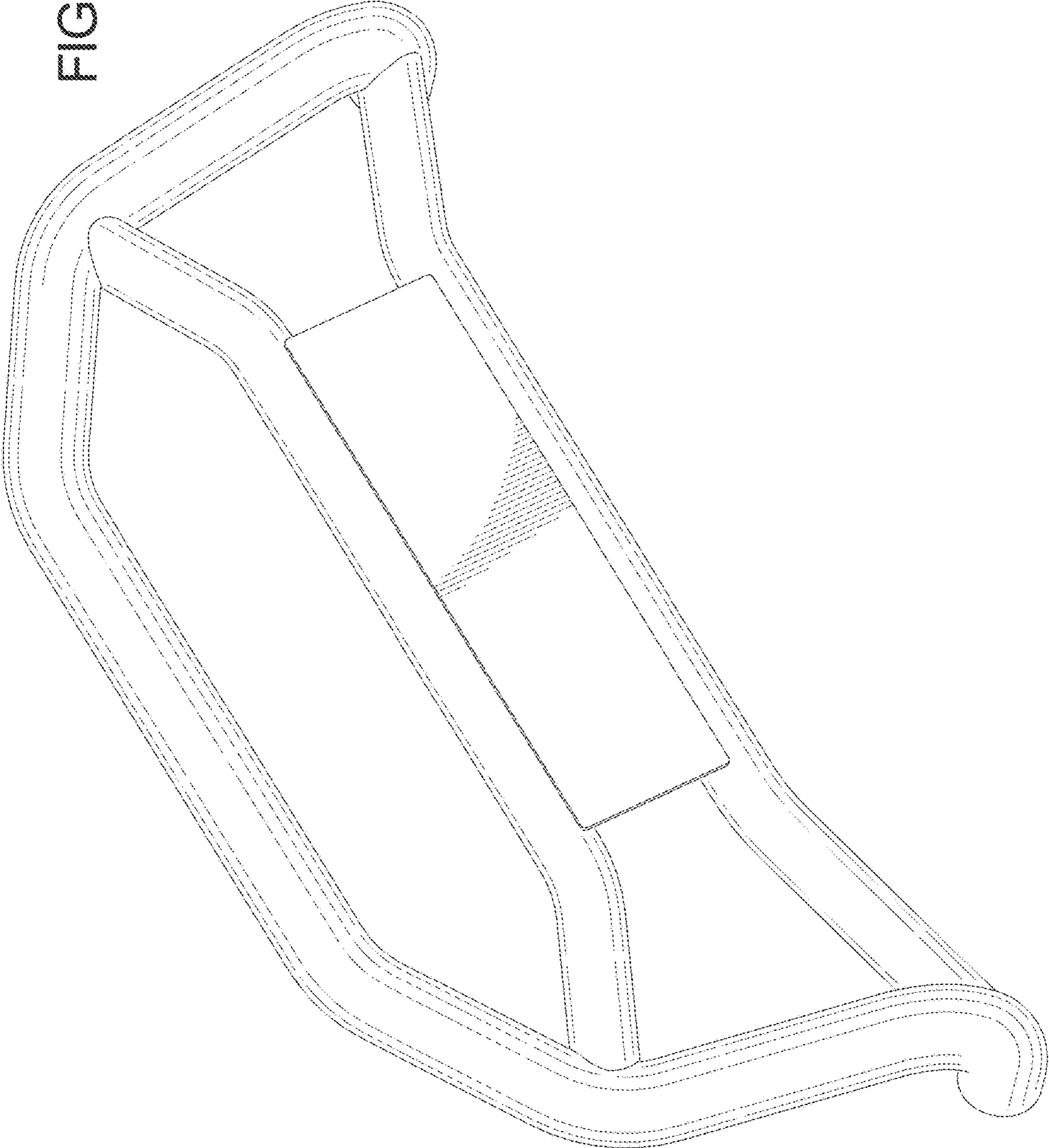


FIG. 2

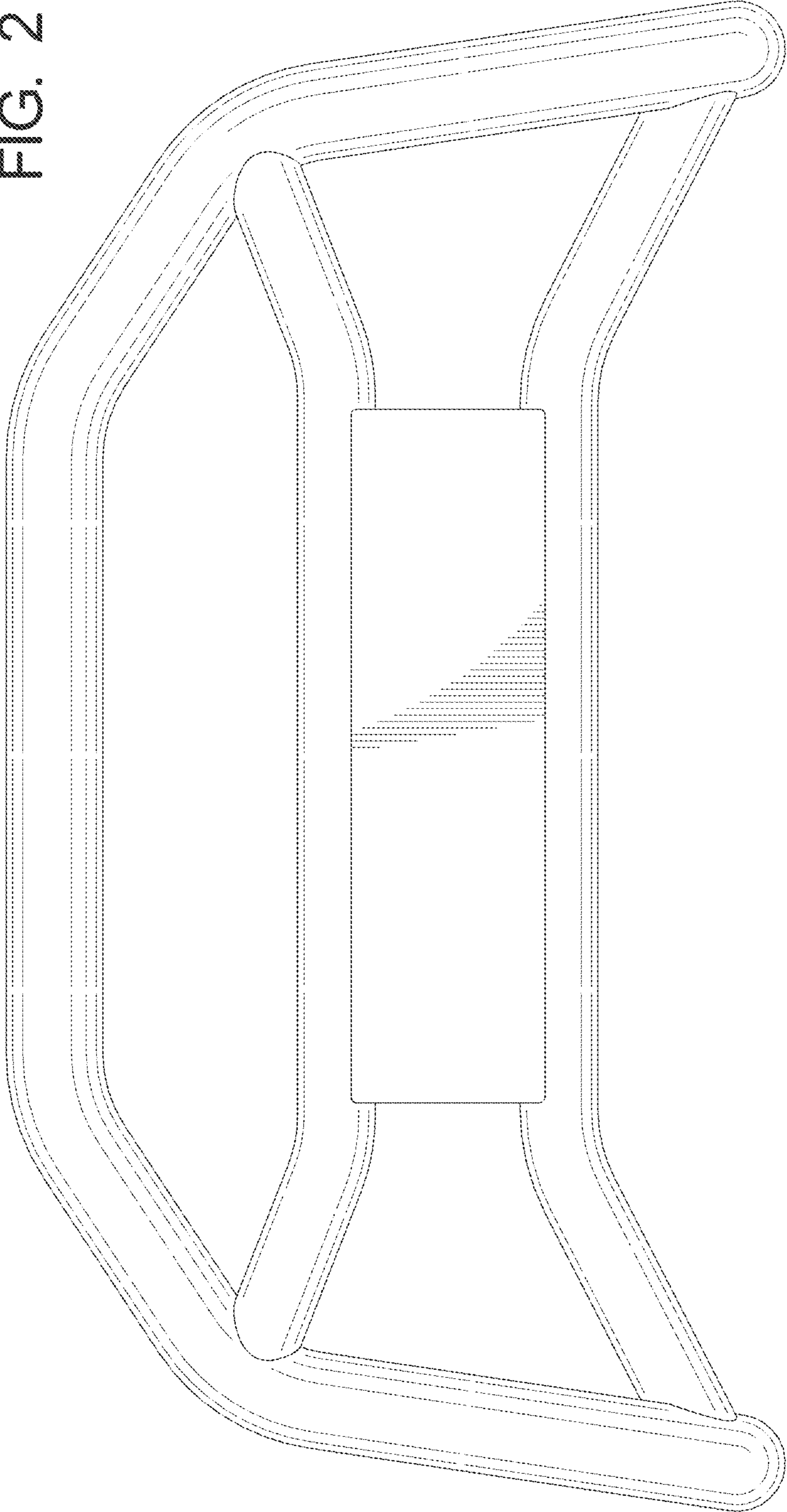


FIG. 4

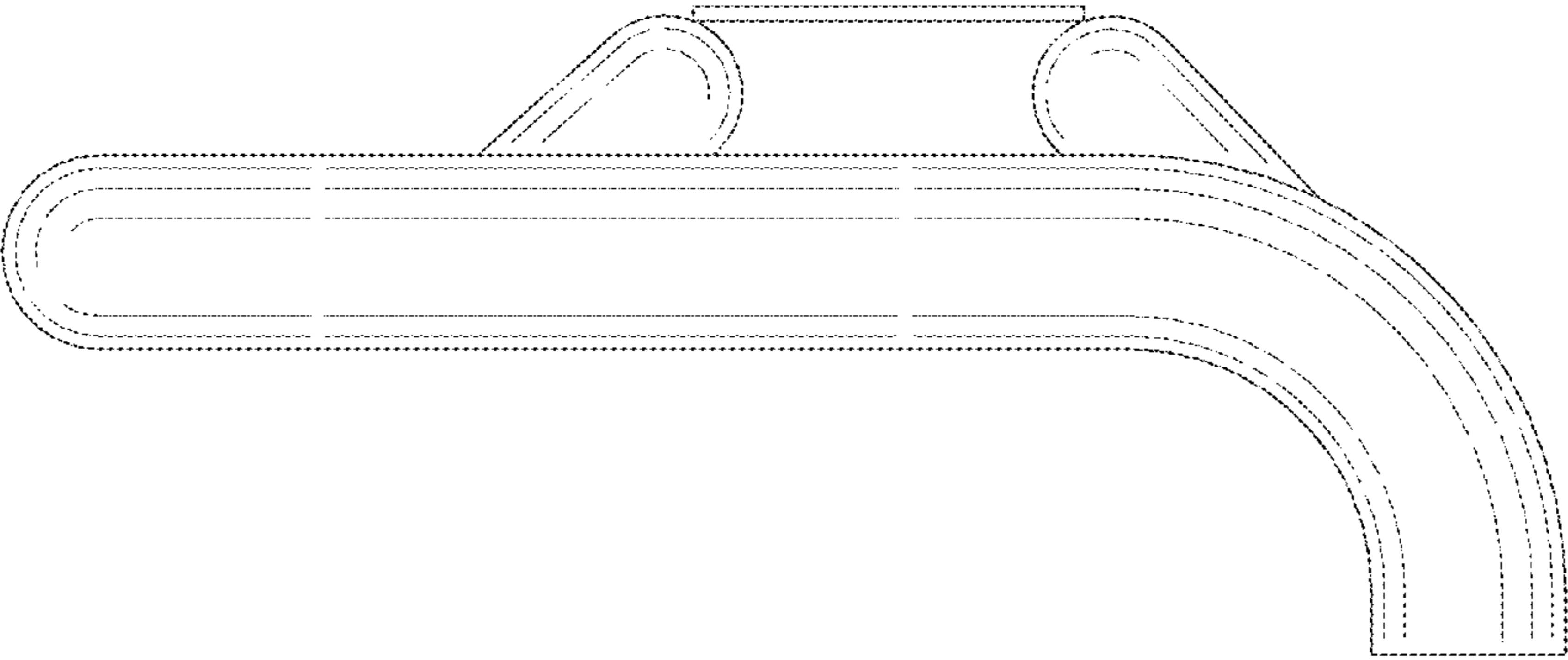


FIG. 3

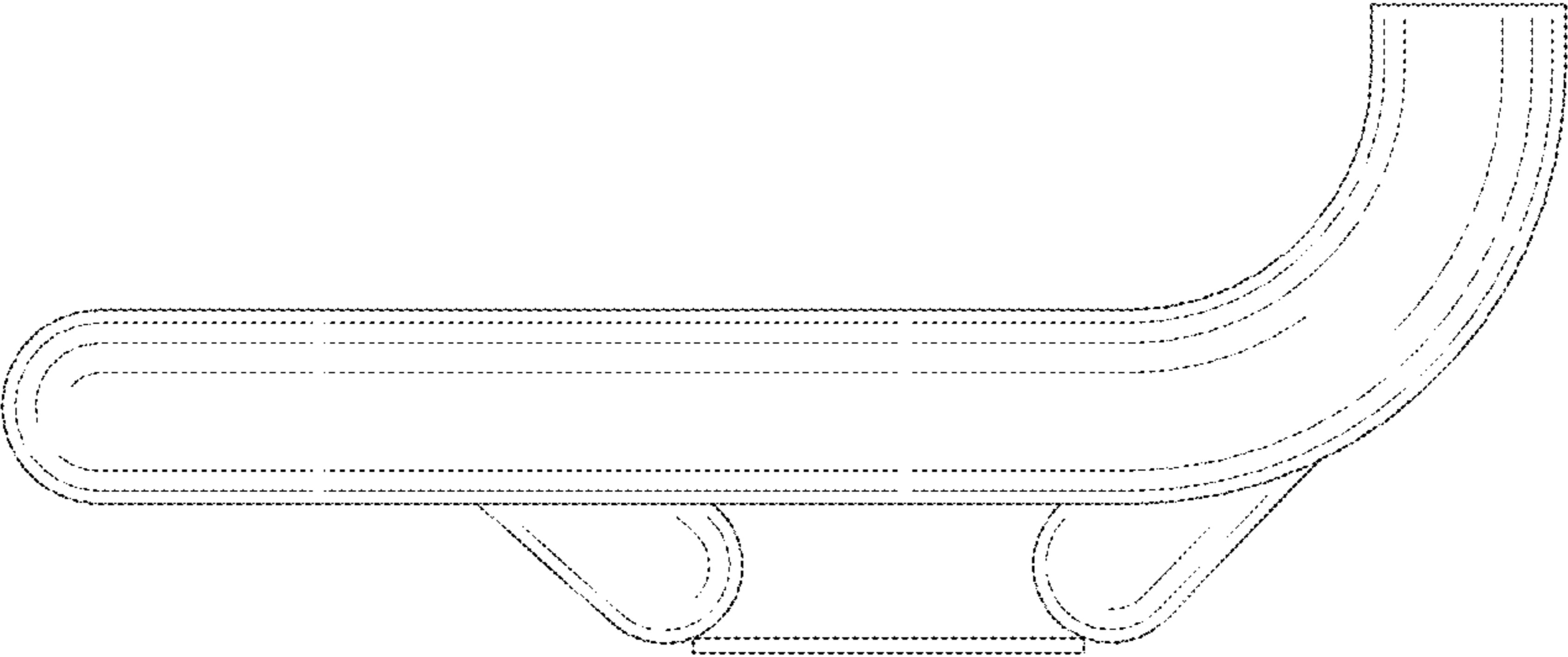


FIG. 5

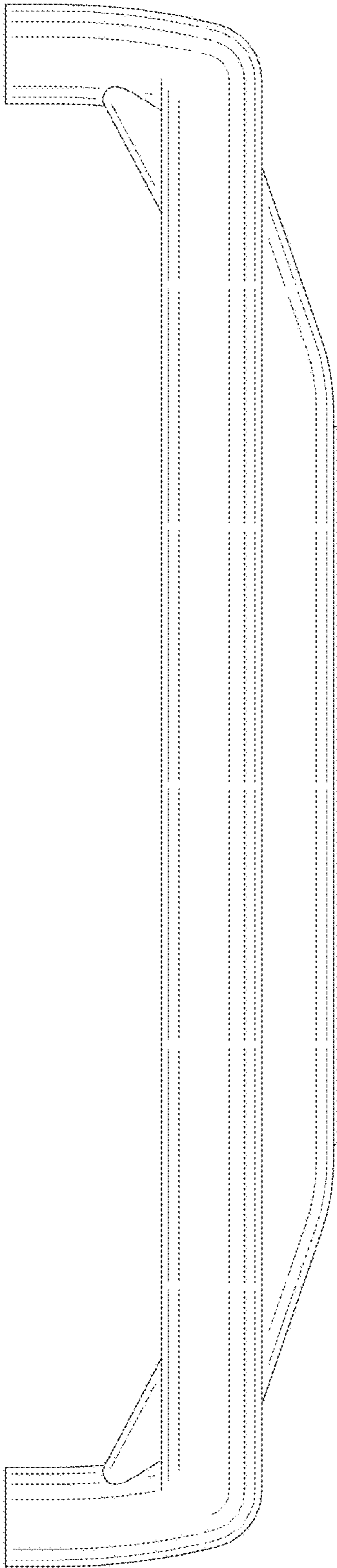


FIG. 6

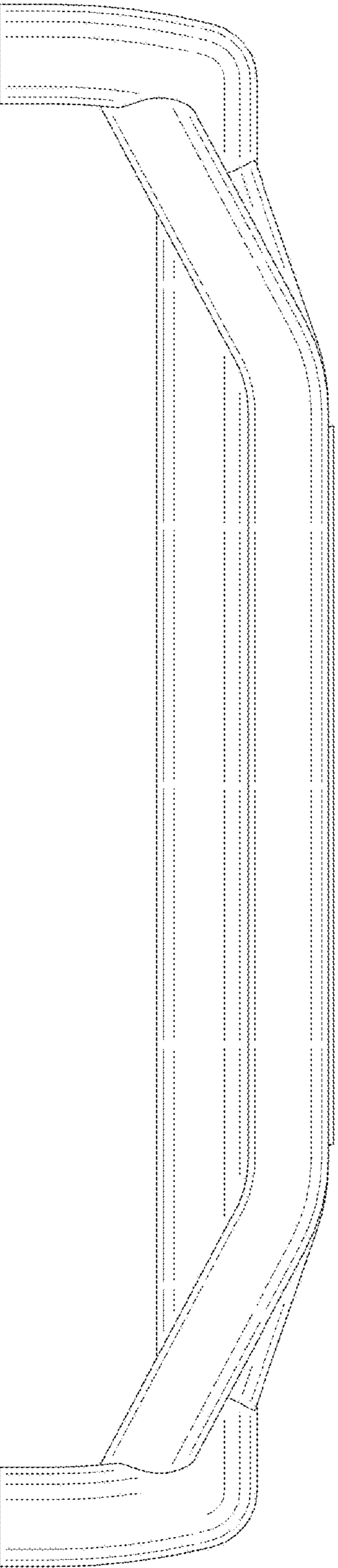


FIG. 7

