



US00D810636S

(12) **United States Design Patent**
Villamizar

(10) **Patent No.:** **US D810,636 S**

(45) **Date of Patent:** **** Feb. 20, 2018**

(54) **TRUCK BUMPER**

(71) Applicant: **Diego Jaime Villamizar**, Medley, FL
(US)

(72) Inventor: **Diego Jaime Villamizar**, Medley, FL
(US)

(**) Term: **15 Years**

(21) Appl. No.: **29/597,281**

(22) Filed: **Mar. 15, 2017**

(51) **LOC (11) Cl.** **12-16**

(52) **U.S. Cl.**
USPC **D12/169**

(58) **Field of Classification Search**
USPC D12/169, 216, 90-92, 86, 171, 196, 163;
293/102, 113, 115, 117, 120; 296/180.1,
296/180.2
CPC B60R 19/02; B60R 19/04; B62D 25/08
See application file for complete search history.

(56) **References Cited**

U.S. PATENT DOCUMENTS

5,308,134 A * 5/1994 Stanesic B60J 1/2005
296/180.1
D445,073 S * 7/2001 Tirey D12/169

D535,225 S * 1/2007 Tsai D12/169
D642,961 S * 8/2011 Beigel D12/96
D645,380 S * 9/2011 Beigel D12/93
D725,008 S * 3/2015 Peltola D12/169
D740,730 S * 10/2015 Peltola D12/169
D782,375 S * 3/2017 Ito D12/169
D798,780 S * 10/2017 Villamizar D12/169

* cited by examiner

Primary Examiner — Melody N Brown

(74) *Attorney, Agent, or Firm* — Ruben Alcoba, Esq.

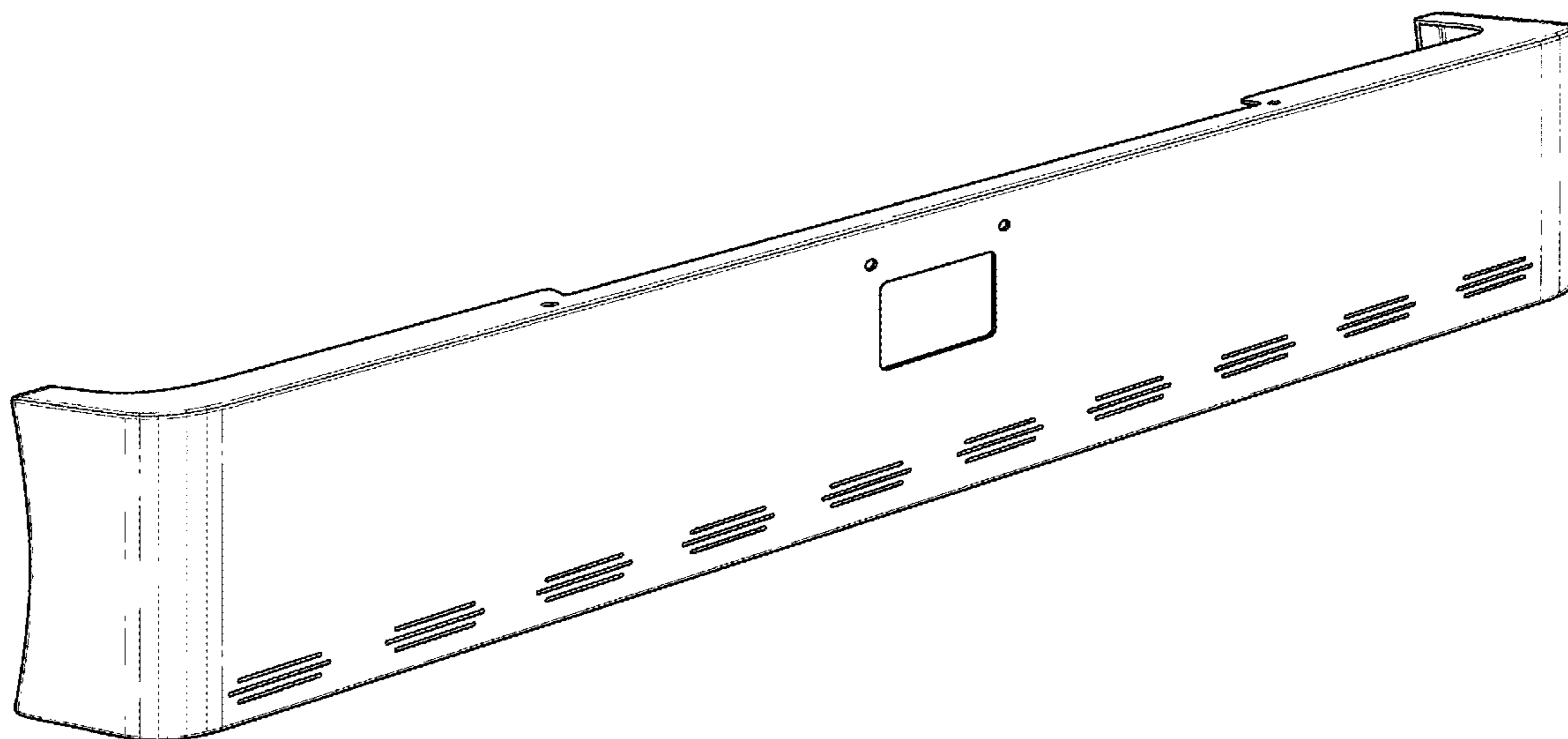
(57) **CLAIM**

The ornamental design for a truck bumper, as shown and described.

DESCRIPTION

FIG. 1 is a perspective view of a truck bumper showing my new design;
FIG. 2 is a front view thereof;
FIG. 3 is a rear view thereof;
FIG. 4 is a left side view thereof;
FIG. 5 is a right side view thereof;
FIG. 6 is a top view thereof; and,
FIG. 7 is a bottom view thereof.

1 Claim, 3 Drawing Sheets



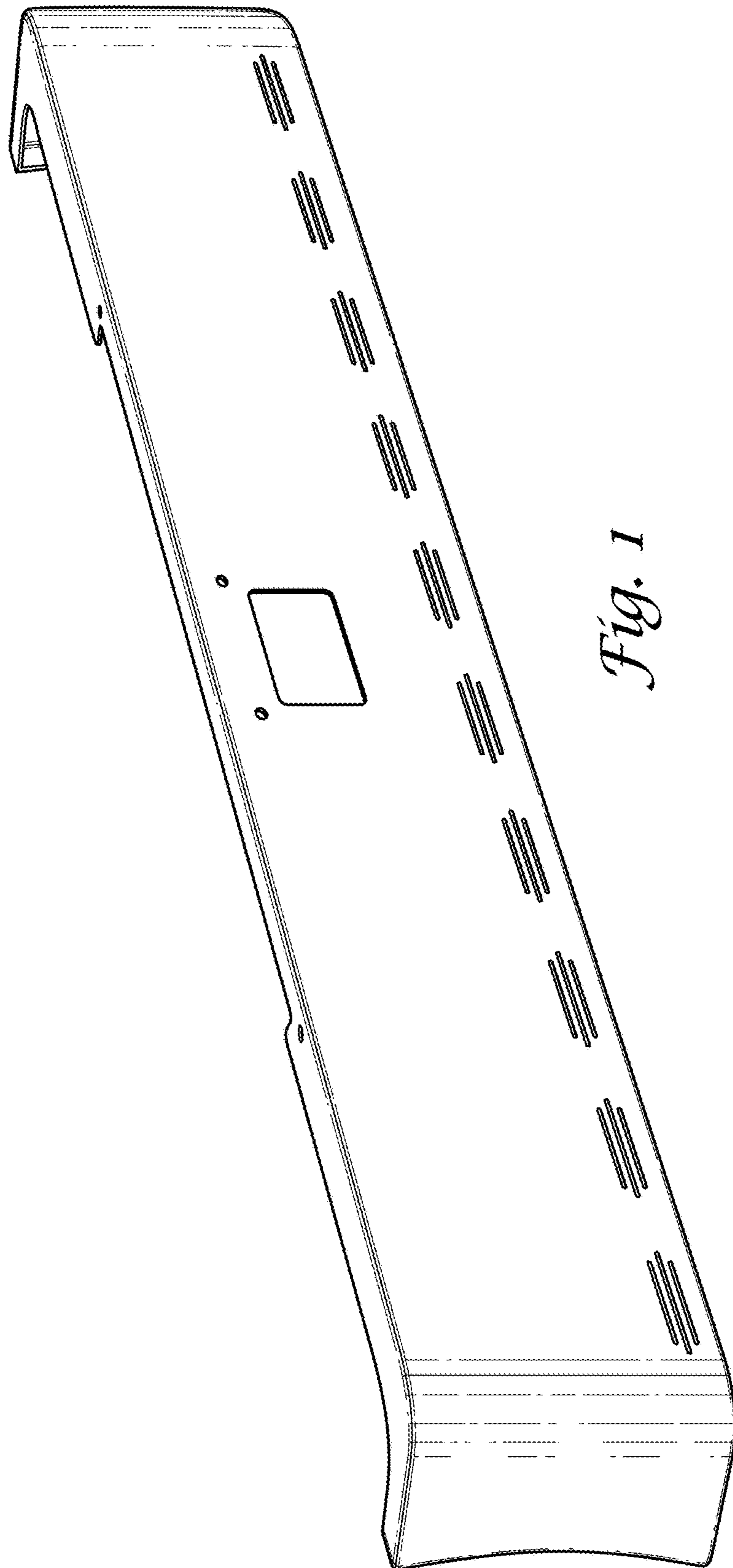


Fig. 1

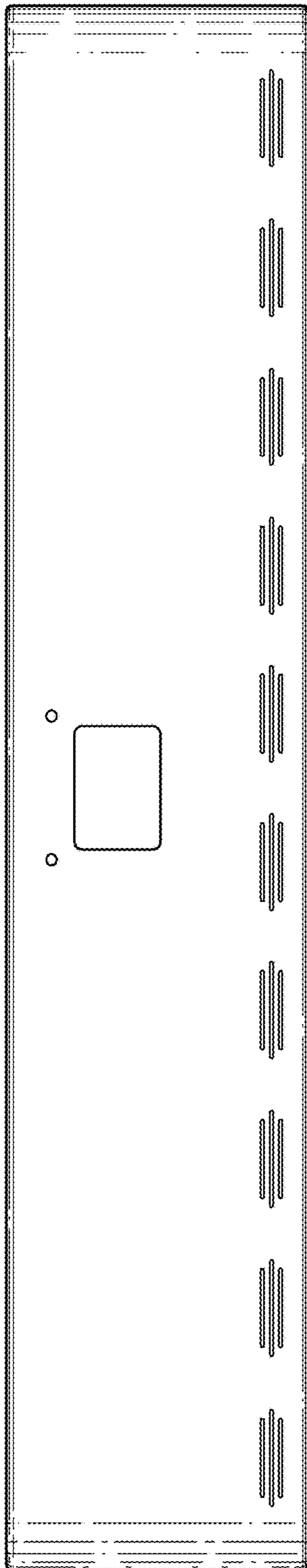


Fig. 2

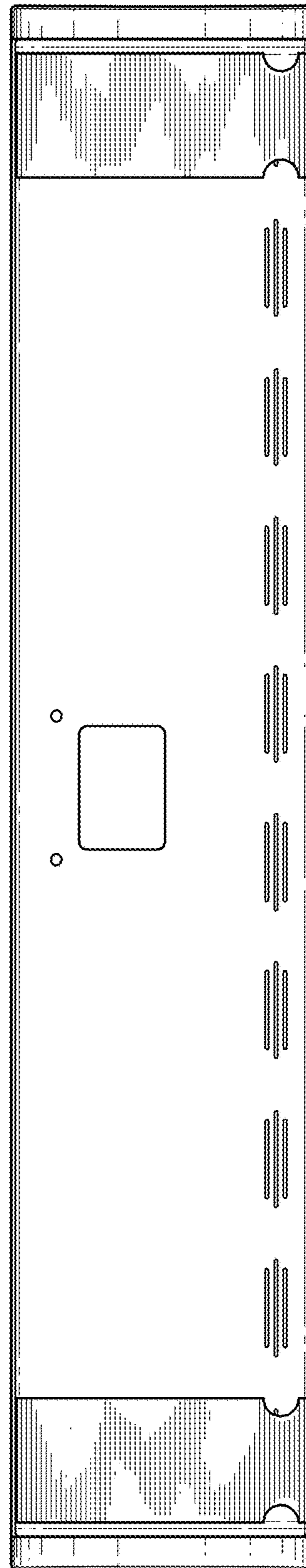


Fig. 3

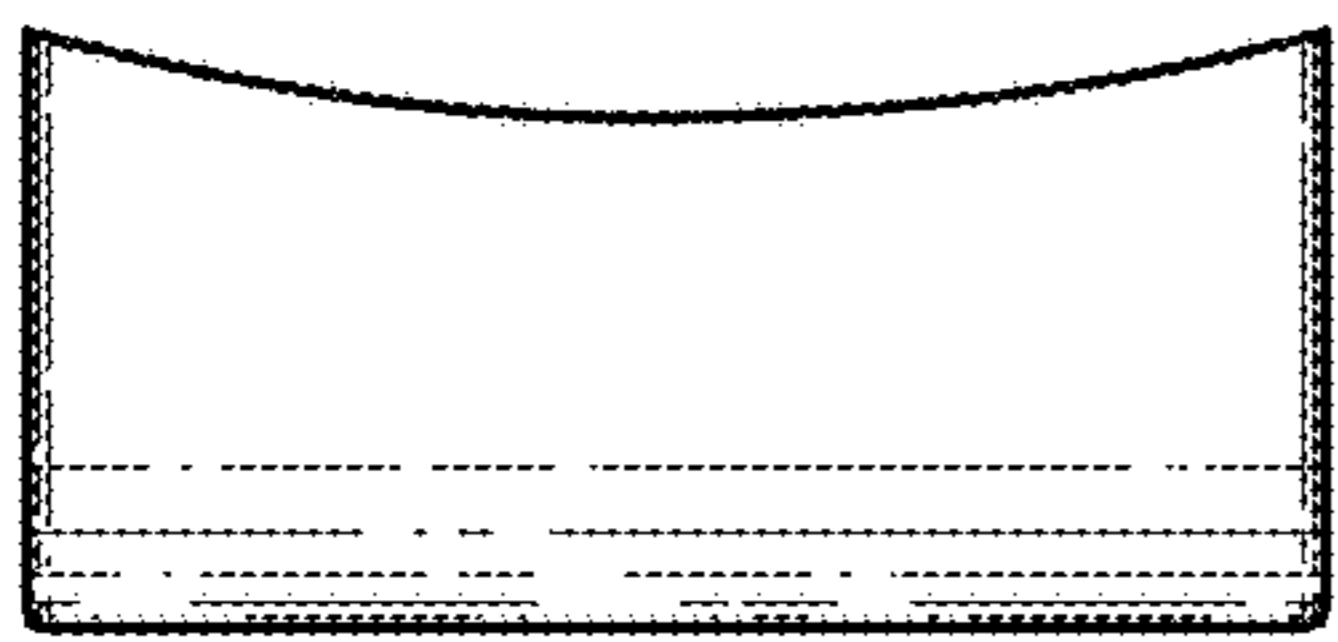


Fig. 4

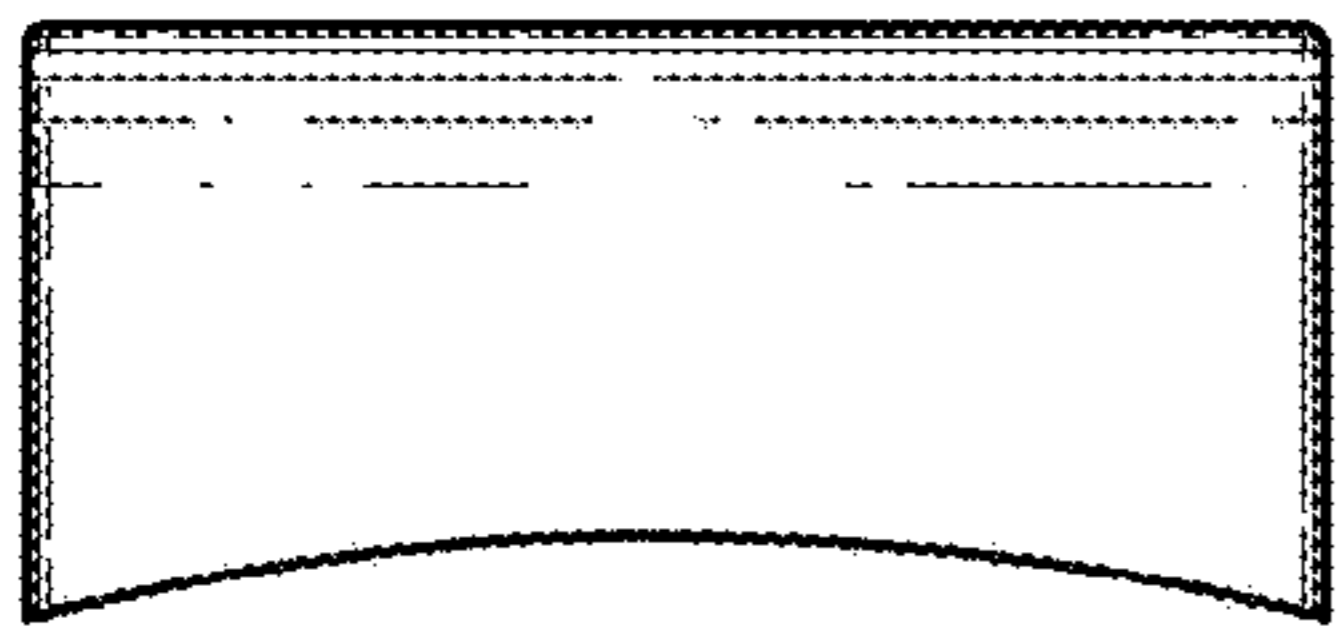


Fig. 5

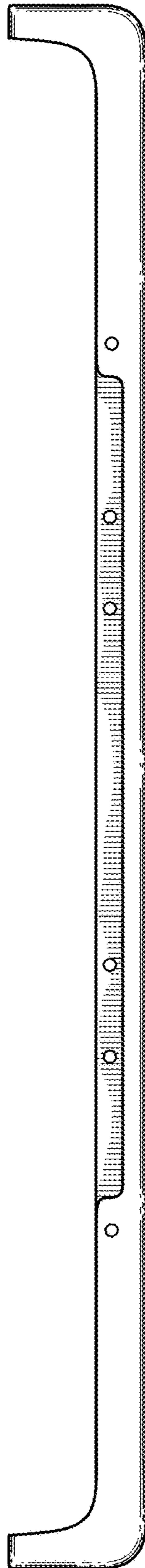


Fig. 6

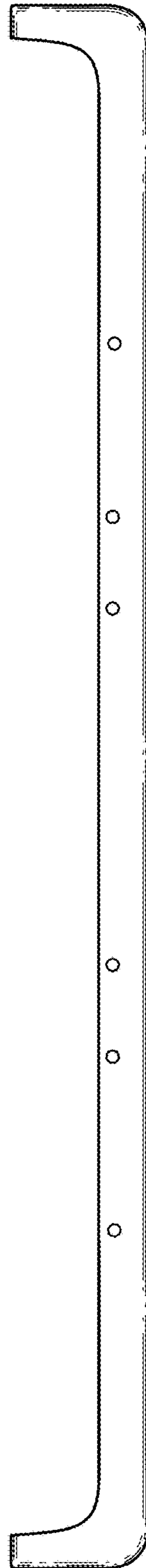


Fig. 7