



US00D810634S

(12) **United States Design Patent**  
**Villamizar et al.**

(10) **Patent No.:** **US D810,634 S**

(45) **Date of Patent:** **\*\* Feb. 20, 2018**

(54) **TRUCK BUMPER**

(71) Applicants: **Diego Jaime Villamizar**, Medley, FL  
(US); **Jose Antonio Villamizar**,  
Medley, FL (US)

(72) Inventors: **Diego Jaime Villamizar**, Medley, FL  
(US); **Jose Antonio Villamizar**,  
Medley, FL (US)

(\*\*) Term: **15 Years**

(21) Appl. No.: **29/597,254**

(22) Filed: **Mar. 15, 2017**

(51) **LOC (11) Cl.** ..... **12-16**

(52) **U.S. Cl.**  
USPC ..... **D12/169**

(58) **Field of Classification Search**  
USPC .... D12/169, 216, 90-92, 86, 171, 196, 163;  
293/102, 113, 115, 117, 120; 296/180.1,  
296/180.2  
CPC ..... B60R 19/02; B60R 19/04; B62D 25/08  
See application file for complete search history.

(56) **References Cited**

**U.S. PATENT DOCUMENTS**

5,308,134 A \* 5/1994 Stanesic ..... B60J 1/2005  
296/180.1  
D445,073 S \* 7/2001 Tirey ..... D12/169

D535,225 S \* 1/2007 Tsai ..... D12/169  
D642,961 S \* 8/2011 Beigel ..... D12/96  
D645,380 S \* 9/2011 Beigel ..... D12/93  
D725,008 S \* 3/2015 Peltola ..... D12/169  
D740,730 S \* 10/2015 Peltola ..... D12/169  
D782,375 S \* 3/2017 Ito ..... D12/169  
D798,780 S \* 10/2017 Villamizar ..... D12/169

\* cited by examiner

*Primary Examiner* — Melody N Brown

(74) *Attorney, Agent, or Firm* — Ruben Alcoba, Esq.

(57) **CLAIM**

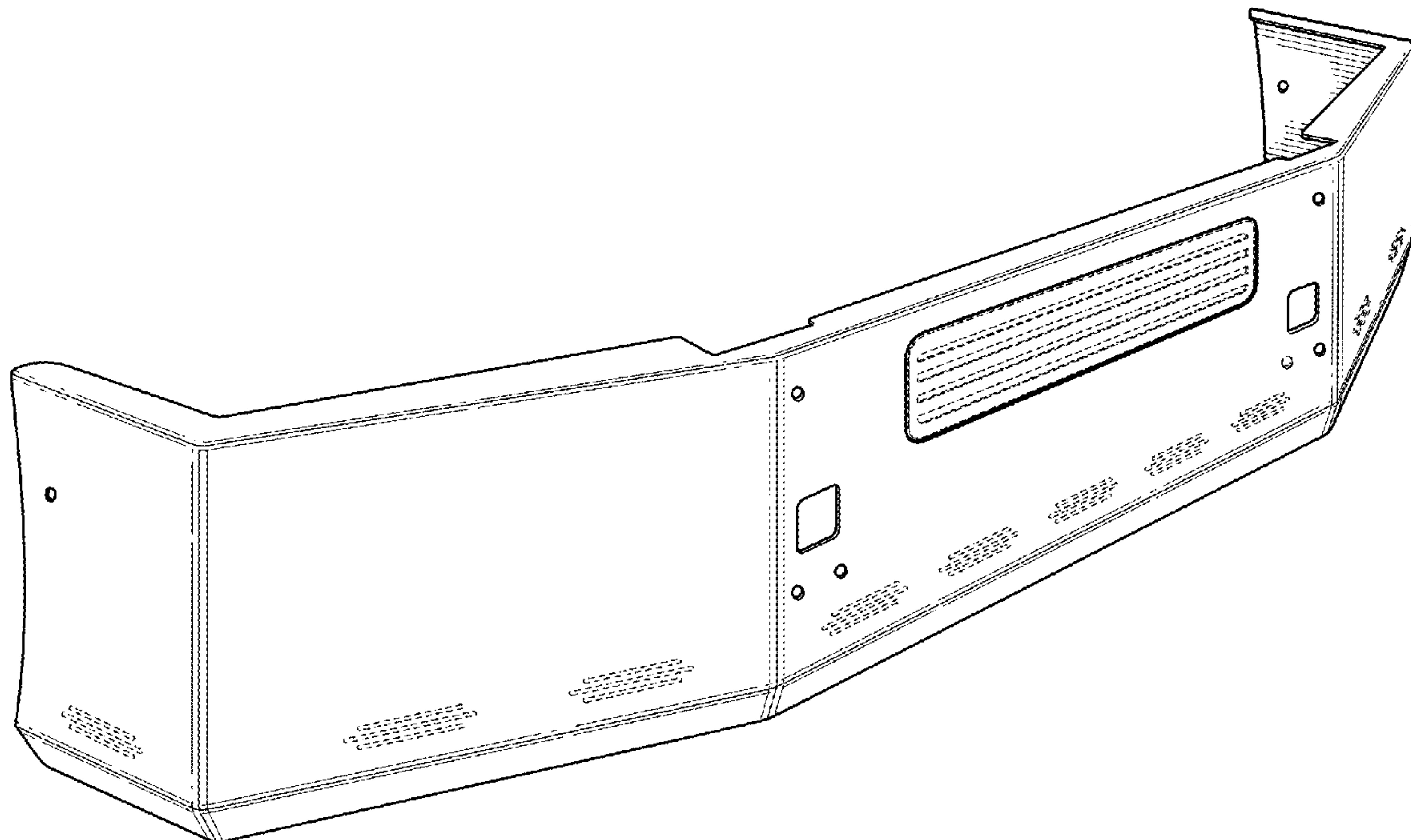
The ornamental design for a truck bumper, as shown and described.

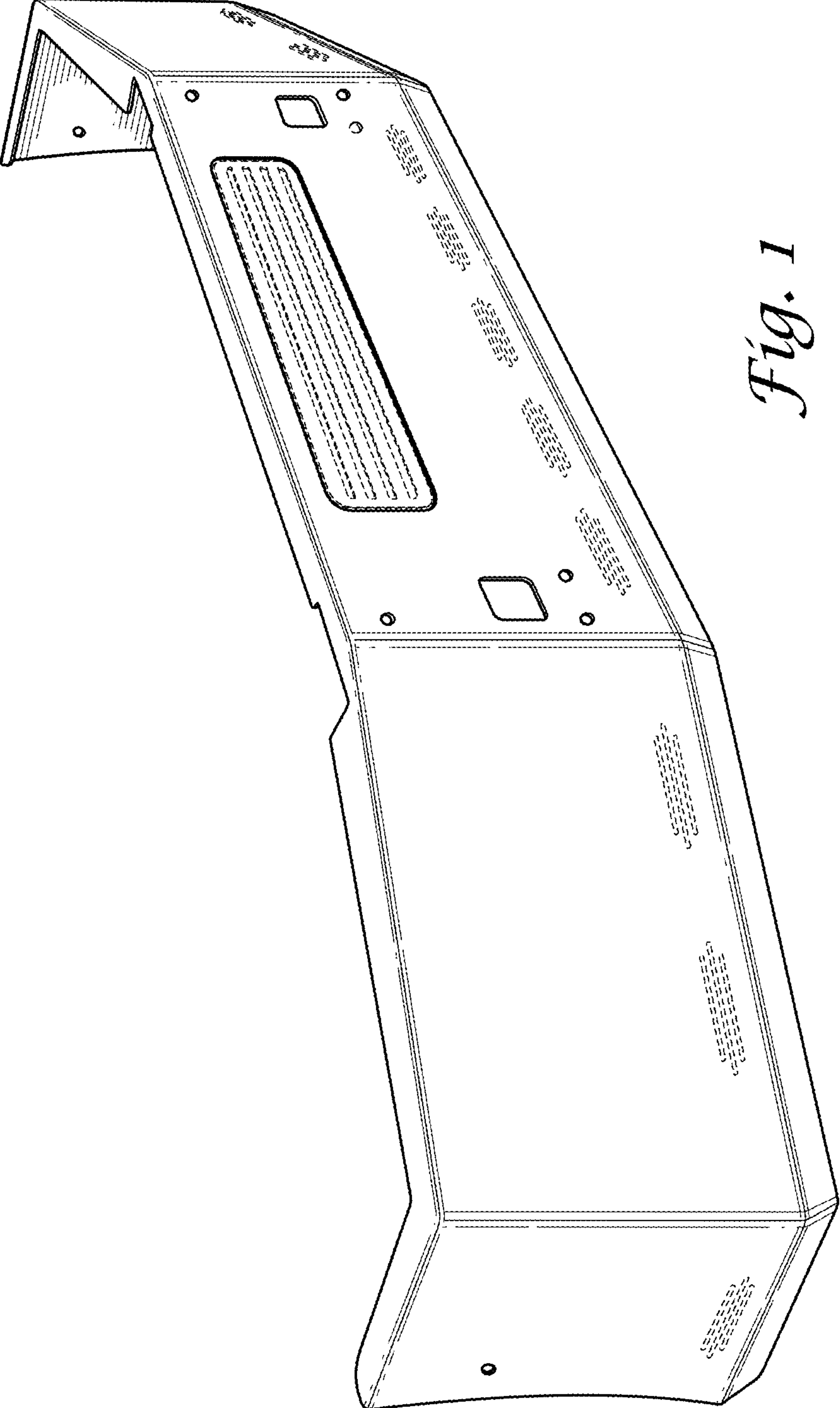
**DESCRIPTION**

FIG. 1 is a perspective view of a truck bumper showing my new design;  
FIG. 2 is a front view thereof;  
FIG. 3 is a rear view thereof;  
FIG. 4 is a left side view thereof;  
FIG. 5 is a right side view thereof;  
FIG. 6 is a top view thereof; and,  
FIG. 7 is a bottom view thereof.

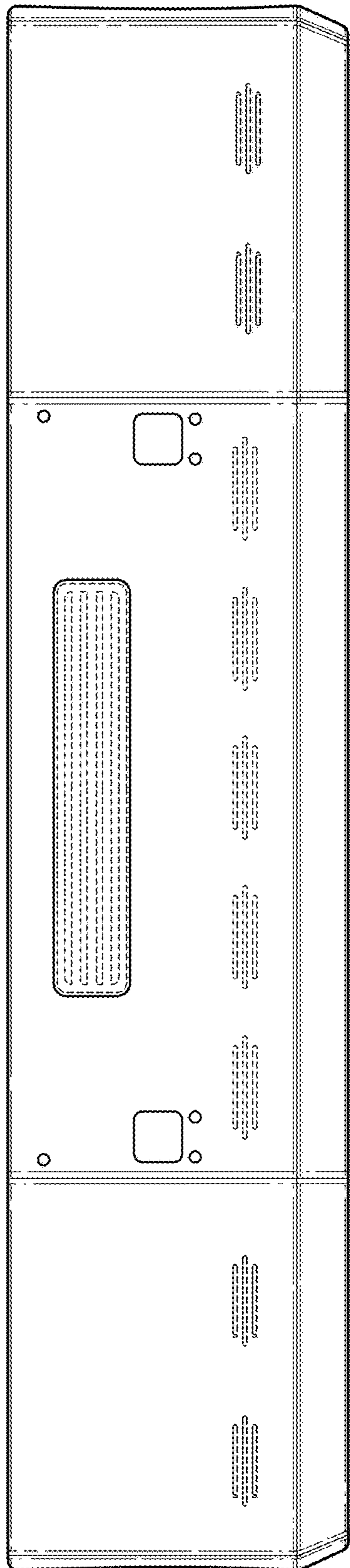
The broken lines shown throughout the drawing are for illustrative purposes only and form no part of the claimed design.

**1 Claim, 4 Drawing Sheets**

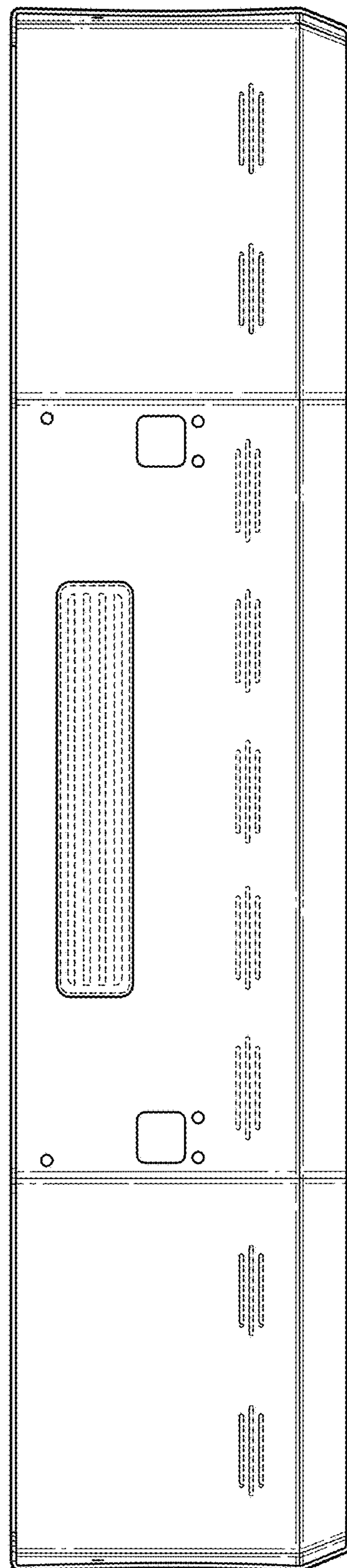




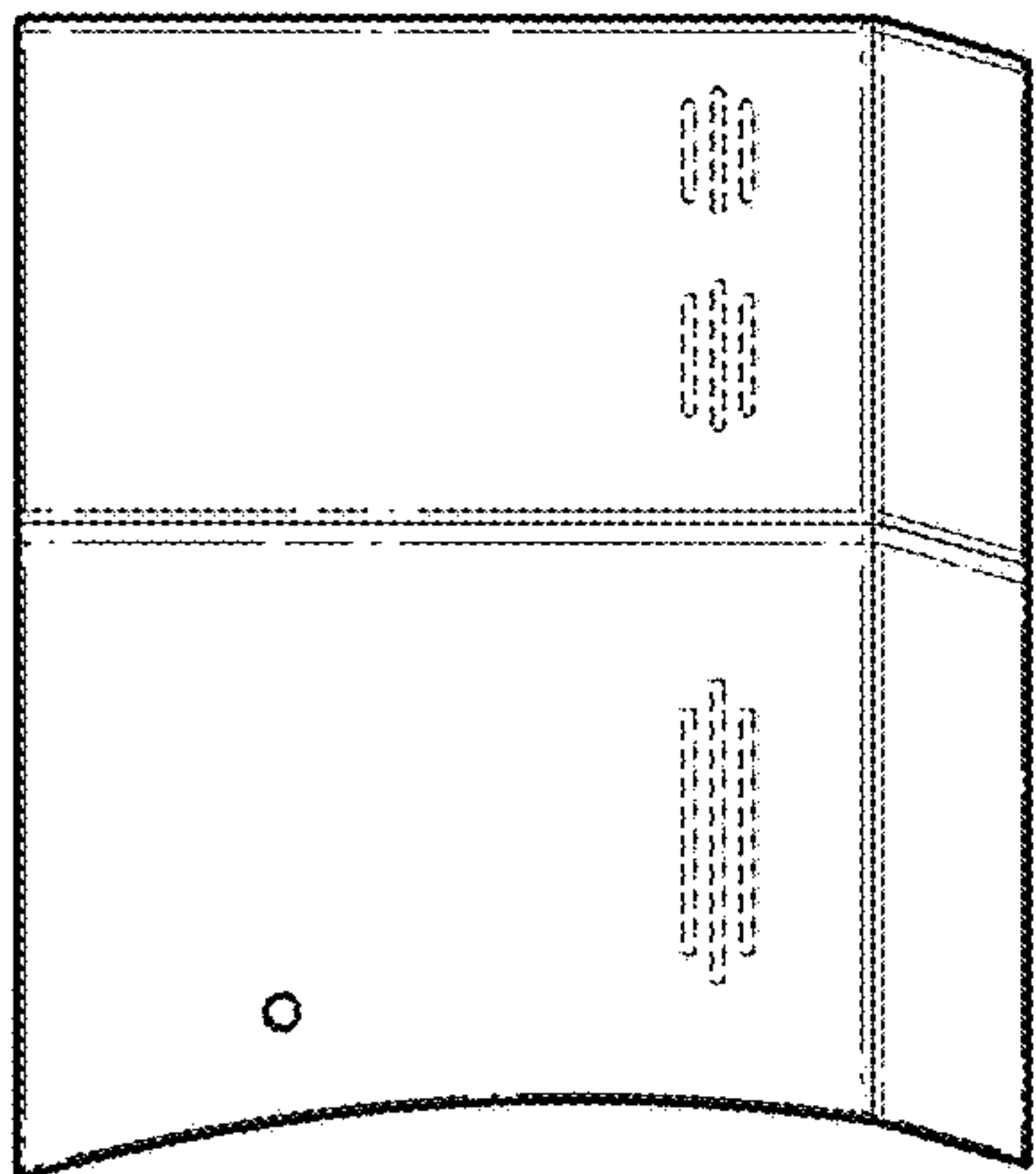
*Fig. 1*



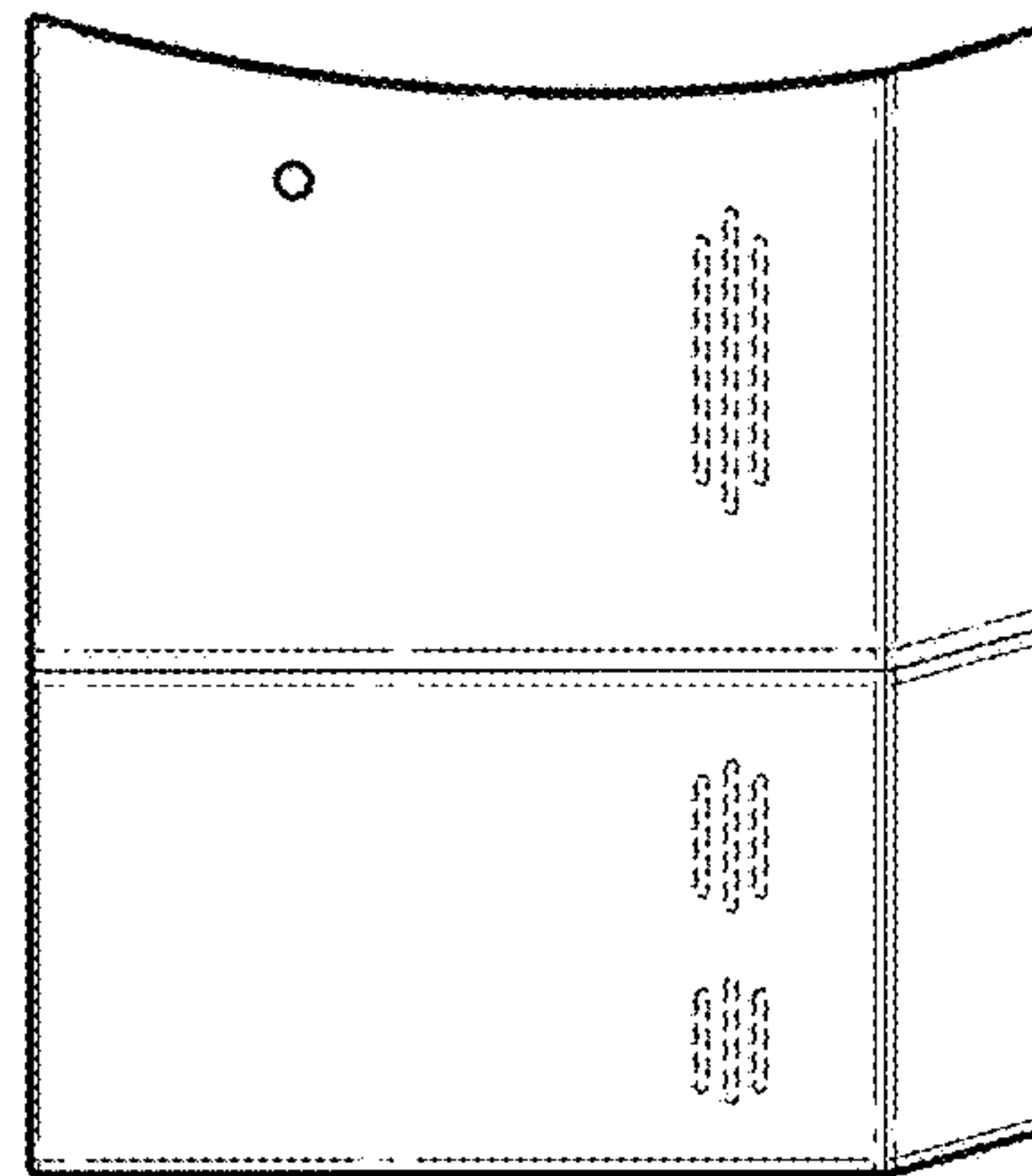
*Fig. 2*



*Fig. 3*

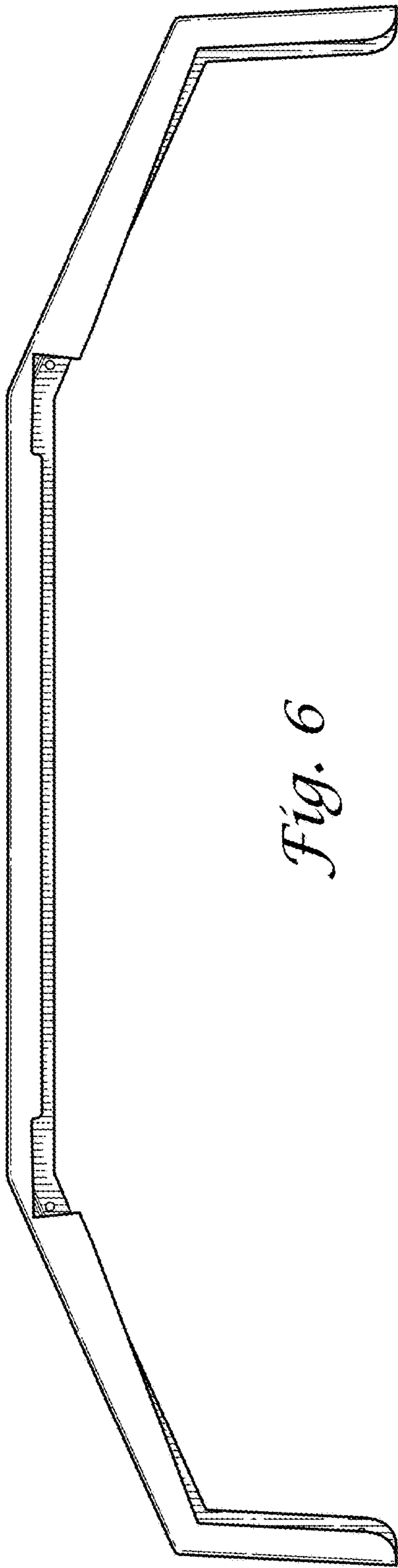


*Fig. 4*

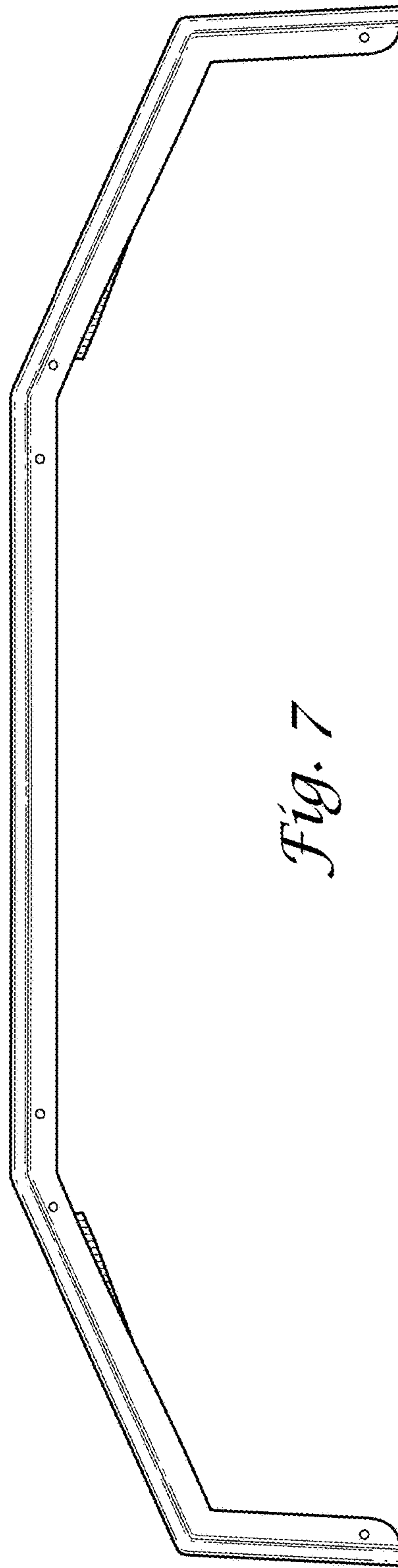


*Fig. 5*





*Fig. 6*



*Fig. 7*