



US00D810632S

(12) **United States Design Patent** (10) **Patent No.:** **US D810,632 S**
Smith (45) **Date of Patent:** **** Feb. 20, 2018**

- (54) **WHEELCHAIR BASKET**
- (71) Applicant: **Gwendolyn Sue Smith**, Brookhaven, MS (US)
- (72) Inventor: **Gwendolyn Sue Smith**, Brookhaven, MS (US)
- (73) Assignee: **Gwendolyn Sue Smith**, Brookhaven, MS (US)
- (**) Term: **15 Years**
- (21) Appl. No.: **29/529,763**
- (22) Filed: **Jun. 10, 2015**
- (51) **LOC (11) Cl.** **12-12**
- (52) **U.S. Cl.**
USPC **D12/133**
- (58) **Field of Classification Search**
USPC D12/128-133; D3/302, 304, 305, 314, D3/315
CPC A61G 5/00-5/14; A61G 2005/1094; B60R 9/06
See application file for complete search history.

5,294,027	A *	3/1994	Plastina	A61G 5/10
					220/6
5,813,582	A *	9/1998	Wright	A61G 5/10
					224/407
D423,587	S *	4/2000	Conley	D19/75
D425,562	S *	5/2000	Conley	D19/75
D501,318	S *	2/2005	Louie	D3/304
D511,091	S *	11/2005	Liwag	D3/304
7,156,273	B2 *	1/2007	Morris	B60R 9/06
					108/14
D538,536	S *	3/2007	Kopenhaver	D3/305
D542,033	S *	5/2007	Kopenhaver	D3/305
D542,532	S *	5/2007	Kopenhaver	D3/305
D584,053	S *	1/2009	Abdo	D3/302
D671,322	S *	11/2012	Scott	D3/304
D690,106	S *	9/2013	Scott	D3/304
8,794,655	B1 *	8/2014	Gipson	B62B 1/008
					280/304.1
D760,497	S *	7/2016	Martin	D3/304

* cited by examiner

Primary Examiner — Charles Hanson
 (74) *Attorney, Agent, or Firm* — King & Spalding LLP

(57) **CLAIM**

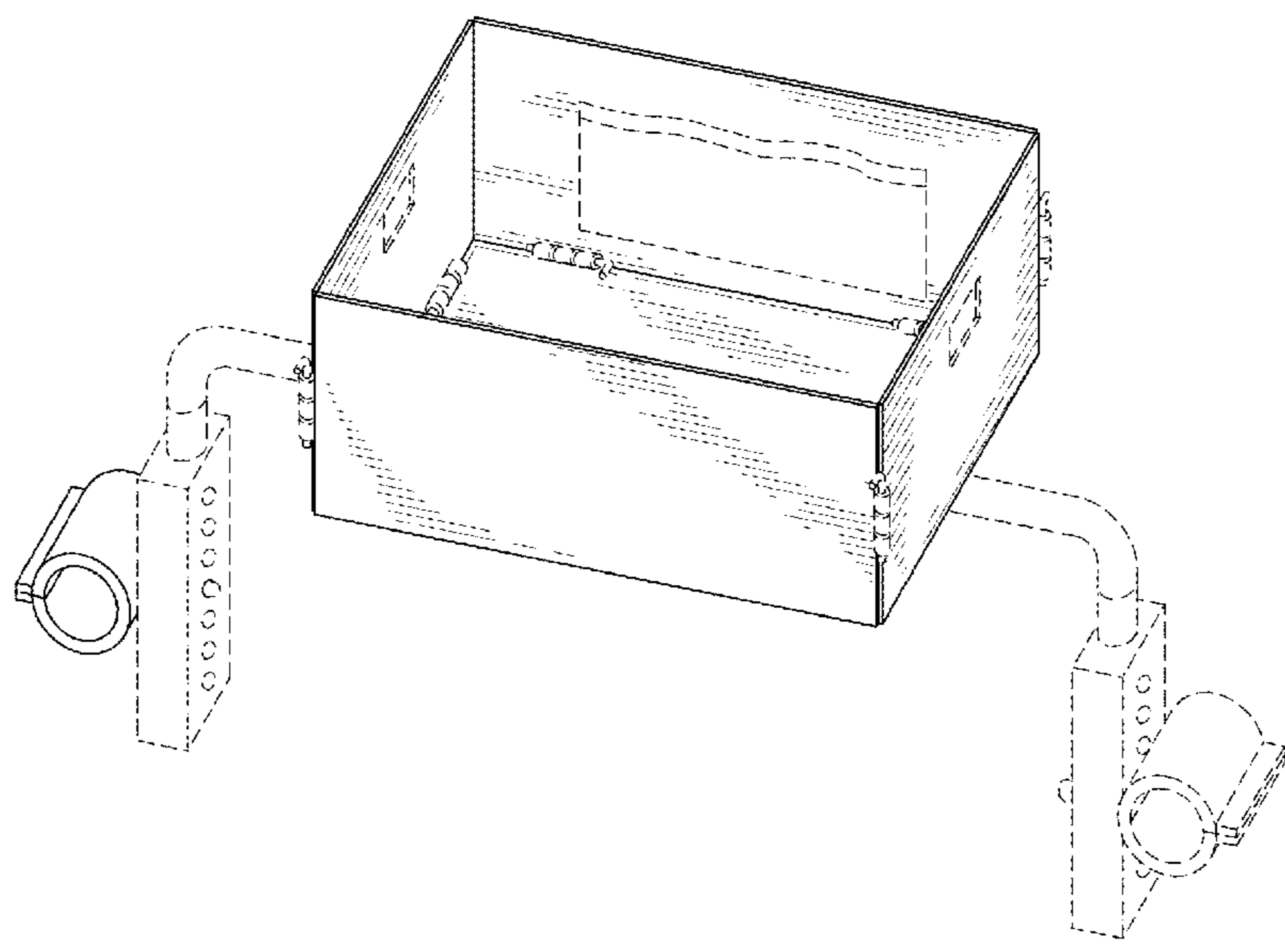
The ornamental design for a wheelchair basket, as shown and described.

DESCRIPTION

FIG. 1 is a front perspective view of a wheelchair basket, showing my new design;
 FIG. 2 is a front elevation view thereof;
 FIG. 3 is a rear elevation view thereof;
 FIG. 4 is a left-side elevation view thereof;
 FIG. 5 is a right-side elevation view thereof;
 FIG. 6 is a top plan view thereof; and,
 FIG. 7 is a bottom plan view thereof.
 The broken lines shown in the figures represent unclaimed subject matter and form no part of the claimed design.

1 Claim, 3 Drawing Sheets

- (56) **References Cited**
- U.S. PATENT DOCUMENTS
- | | | | | | |
|-----------|-----|---------|-------------------|-------|-------------|
| 2,634,038 | A * | 4/1953 | George | | B65D 5/0281 |
| | | | | | 206/594 |
| 4,119,265 | A * | 10/1978 | Dlugopolski | | B65D 5/0035 |
| | | | | | 229/154 |
| 4,403,786 | A * | 9/1983 | Ulics | | A61G 5/10 |
| | | | | | 224/407 |
| D272,289 | S * | 1/1984 | Segura Palenzuela | | D3/314 |
| 4,659,099 | A * | 4/1987 | Malone | | A61G 5/10 |
| | | | | | 108/44 |
| D289,868 | S * | 5/1987 | Dornan | | D12/133 |
| D313,292 | S * | 12/1990 | Elrod | | D3/304 |



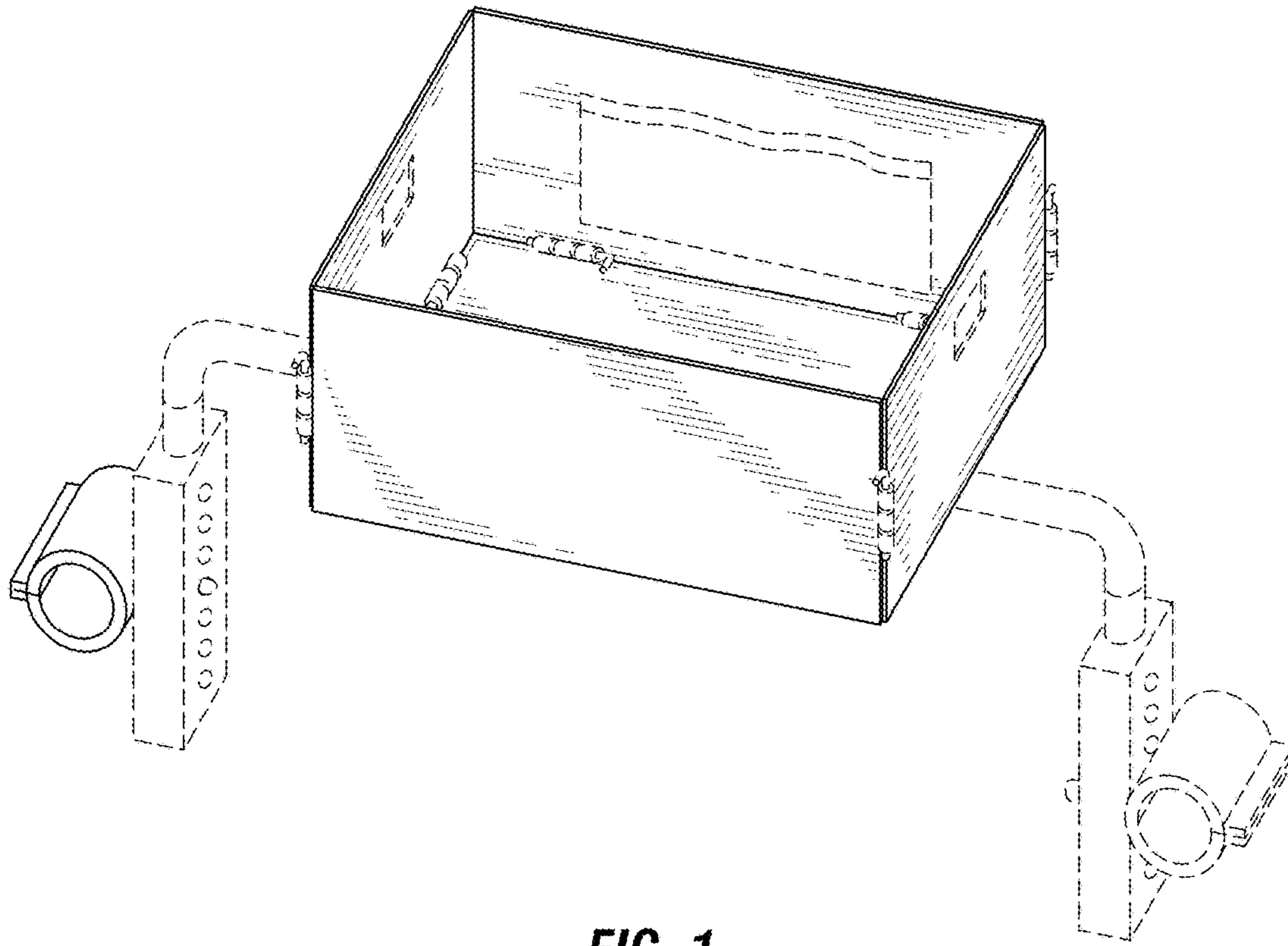


FIG. 1

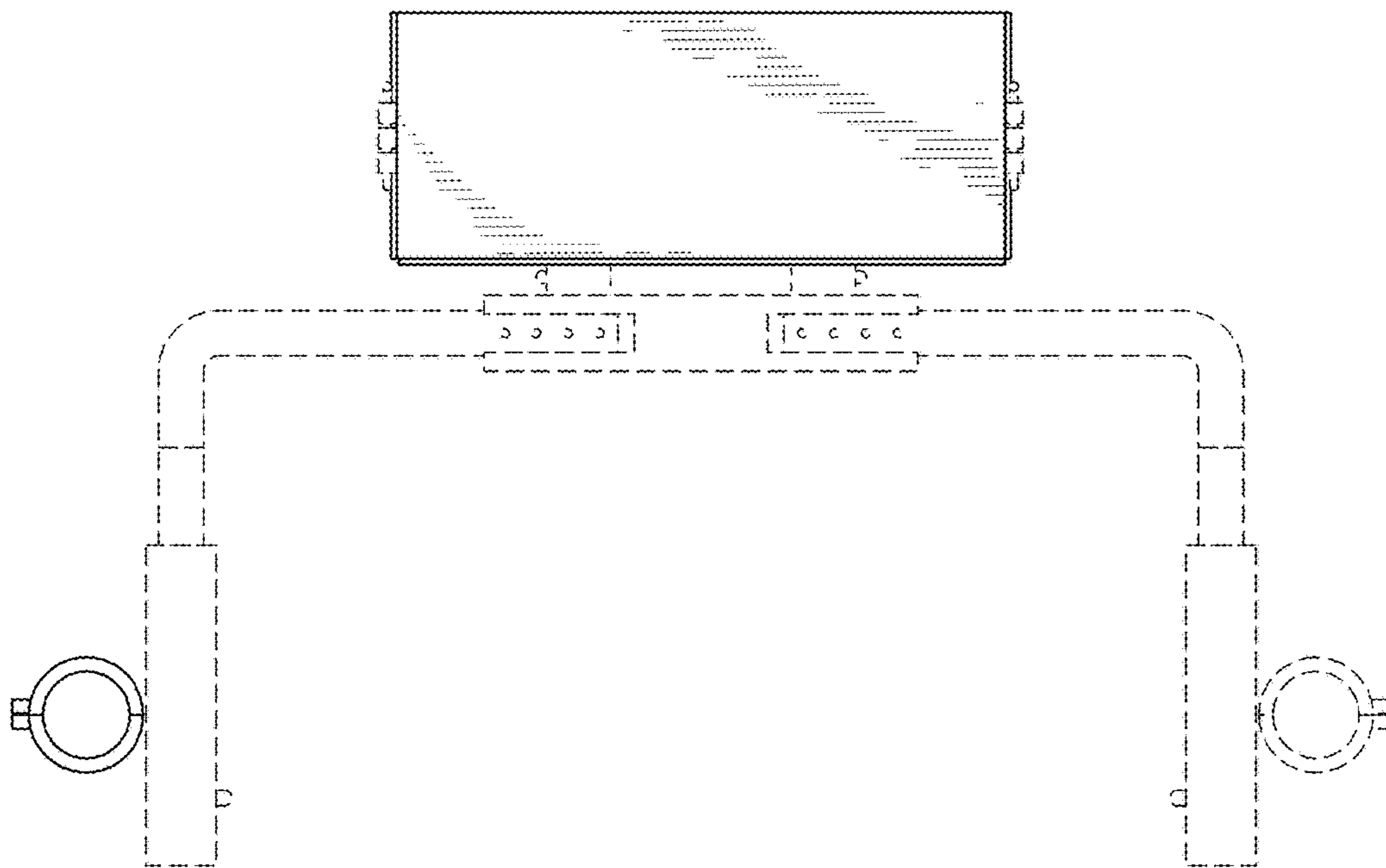


FIG. 2

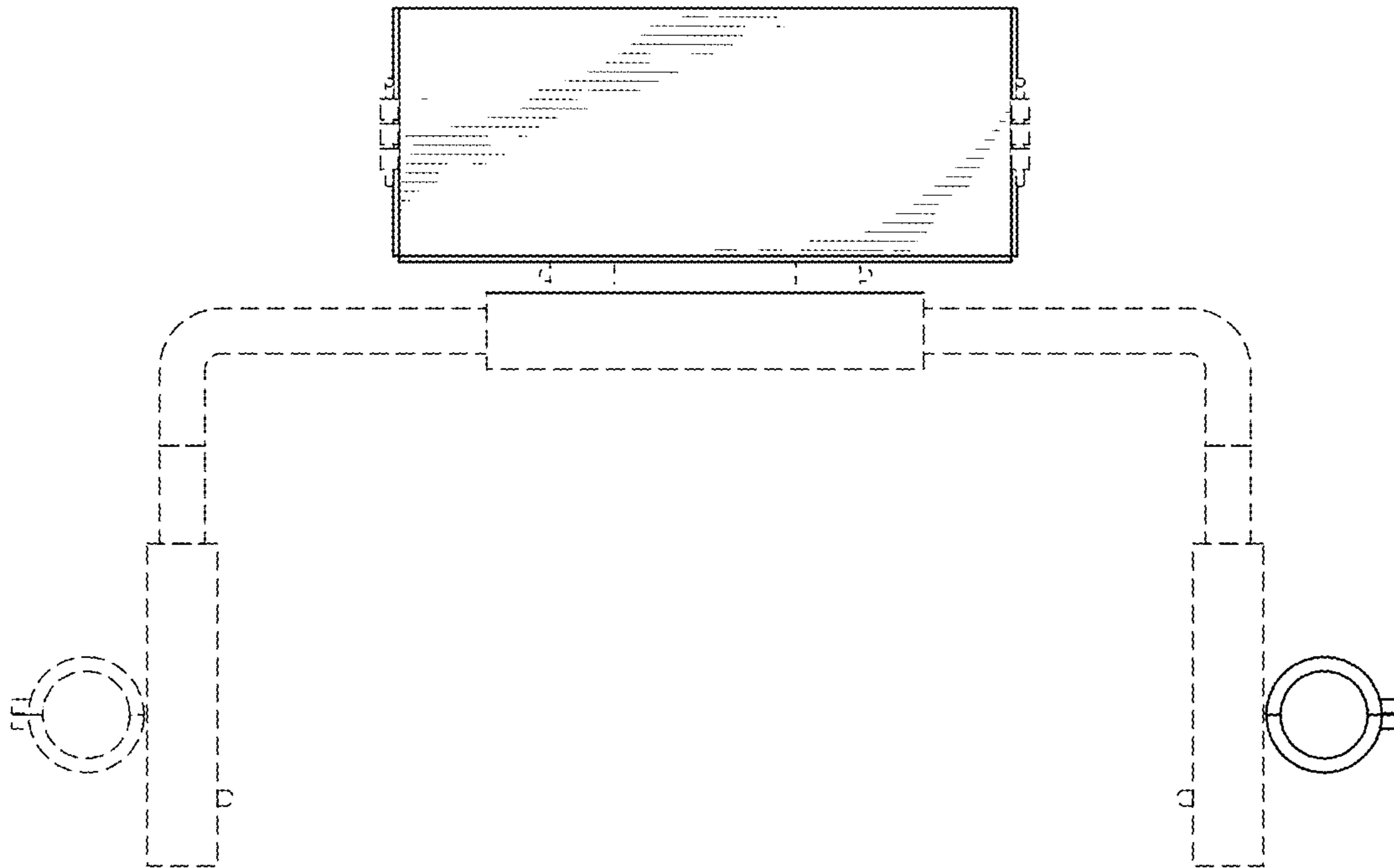


FIG. 3

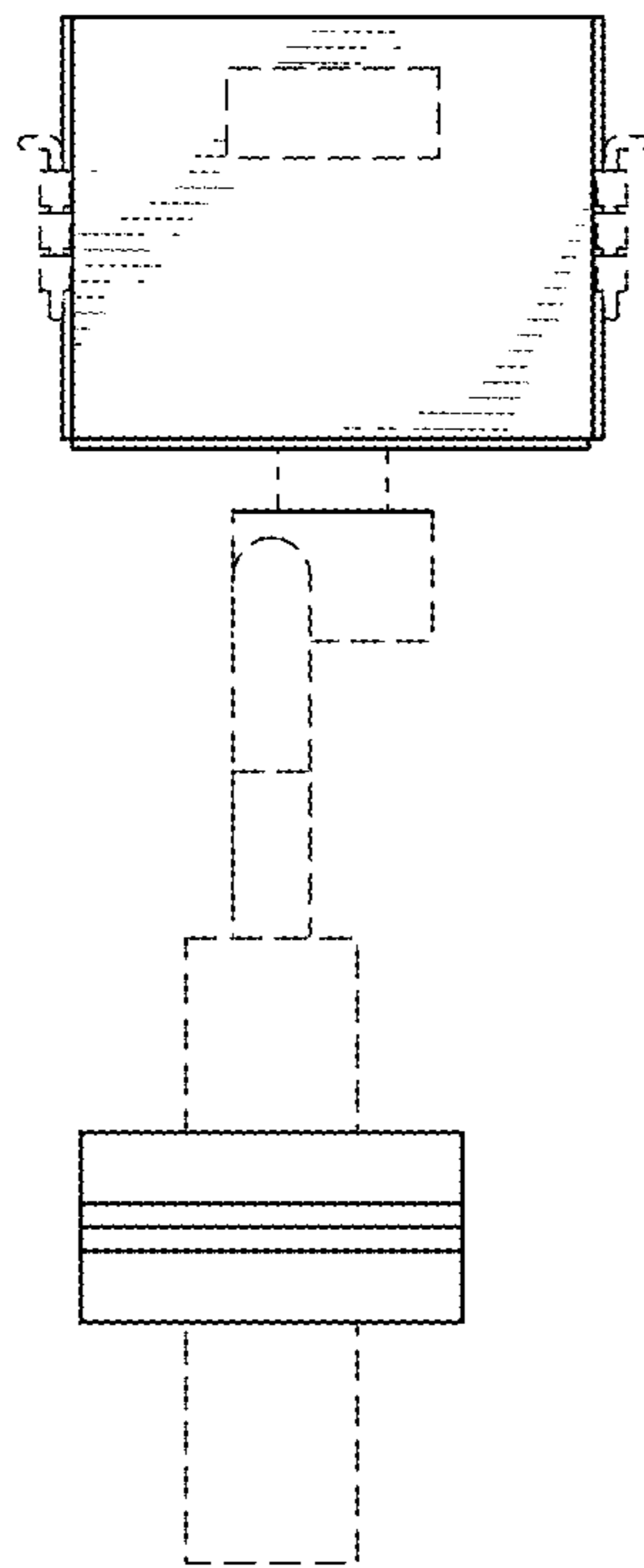


FIG. 4

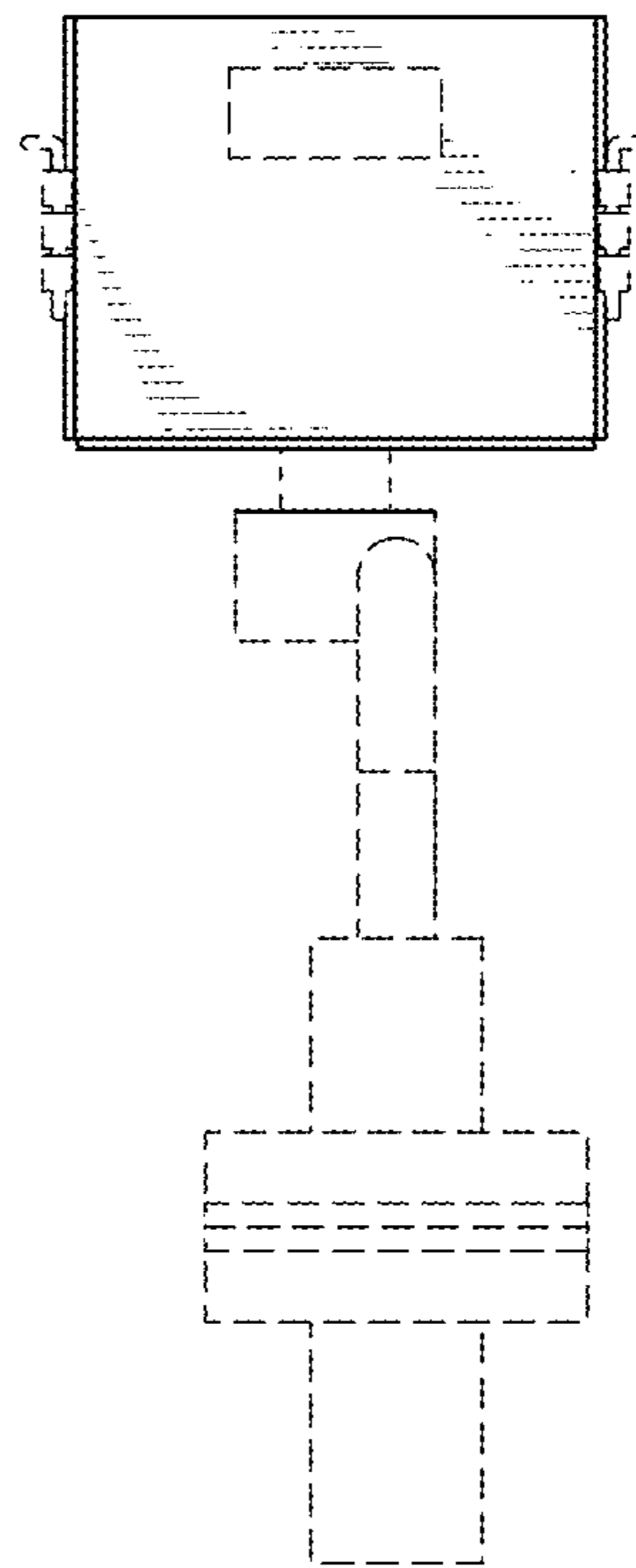


FIG. 5

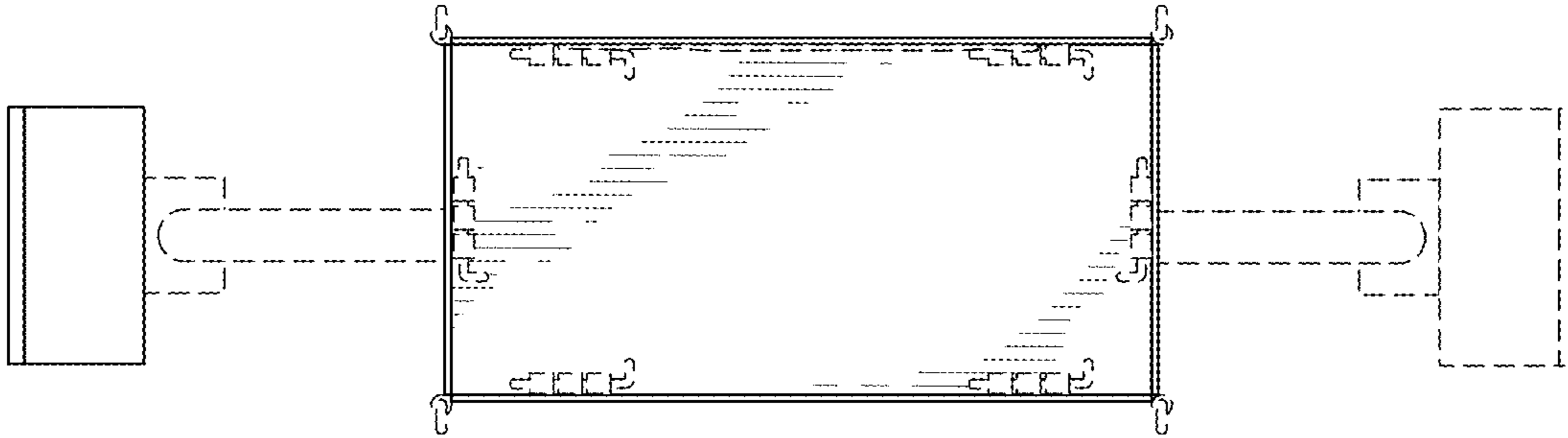


FIG. 6

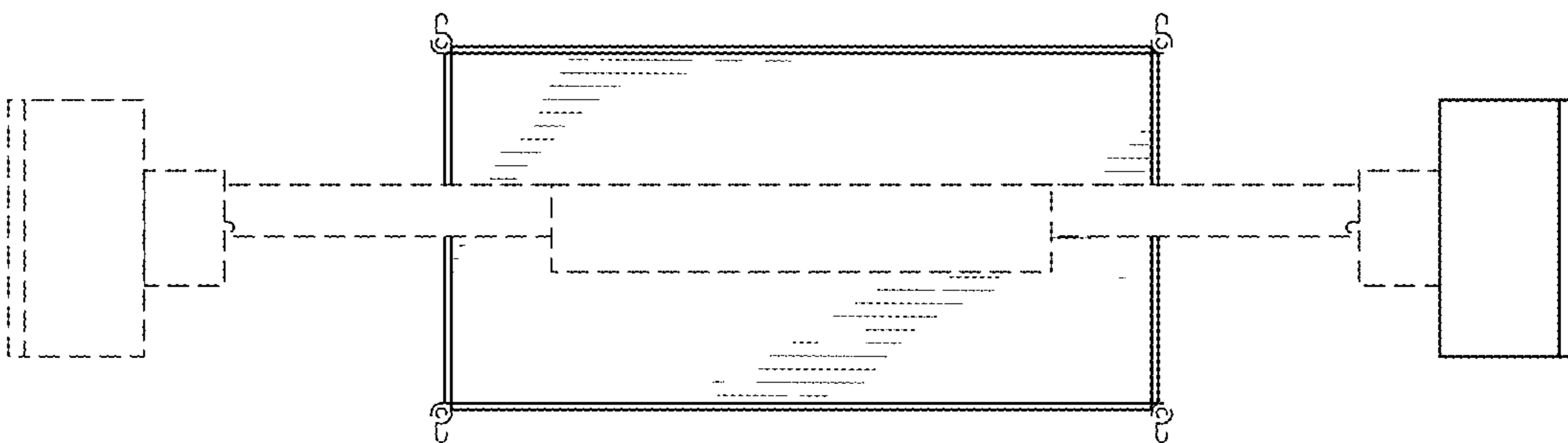


FIG. 7