



US00D810631S

(12) **United States Design Patent**  
**Silvestrin et al.**

(10) **Patent No.:** **US D810,631 S**  
(45) **Date of Patent:** **\*\* Feb. 20, 2018**

(54) **KNEE WHEELER**  
(71) Applicant: **CURVIN GMBH**, Salzburg, Aigen (AT)  
(72) Inventors: **Danilo Silvestrin**, Munich (DE); **Marc Woelffer**, Salzburg (AT); **Julian Schlagheck**, Munich (DE); **Boris Angele**, Diessen am Ammersee (DE)  
(73) Assignee: **CURVIN GMBH**, Salzburg, Aigen (AT)  
(\*\*) Term: **15 Years**

7,287,767 B1 \* 10/2007 Gomes ..... B62K 3/16  
280/87.021  
7,311,319 B1 \* 12/2007 Ortega ..... A61H 3/04  
280/87.021  
D589,410 S \* 3/2009 Ramm ..... D12/130  
D594,792 S \* 6/2009 Shimodaira ..... D12/130  
D597,451 S \* 8/2009 Ramm ..... D12/130  
D618,140 S \* 6/2010 Sanderson ..... D12/130  
8,348,288 B1 1/2013 Laughon, Sr.  
8,523,211 B2 9/2013 Mailahn  
8,915,517 B1 12/2014 Jacobs et al.  
D736,324 S \* 8/2015 Lu ..... D21/423  
D738,435 S \* 9/2015 O'Connell ..... D21/423  
9,227,684 B2 1/2016 Smith et al.  
D756,272 S 5/2016 Okubo  
D781,962 S \* 3/2017 LaBonty ..... D21/423  
2008/0284125 A1 11/2008 Ramm et al.  
2012/0161416 A1 6/2012 Walther et al.

(21) Appl. No.: **29/578,982**  
(22) Filed: **Sep. 27, 2016**  
(51) **LOC (11) Cl.** ..... **12-12**  
(52) **U.S. Cl.**  
USPC ..... **D12/130**  
(58) **Field of Classification Search**  
USPC ..... D12/128-133; D21/423  
CPC ..... A61H 3/00; A61H 3/04; A61H  
2003/001-2003/007; A61H 2003/043;  
A61H 2003/046  
See application file for complete search history.

**FOREIGN PATENT DOCUMENTS**

WO WO 2007/065174 A2 6/2007

\* cited by examiner

*Primary Examiner* — Charles Hanson  
(74) *Attorney, Agent, or Firm* — Norman B. Thot

(57) **CLAIM**

The ornamental design for a knee wheeler, as shown and described.

(56) **References Cited**

**U.S. PATENT DOCUMENTS**

4,029,329 A \* 6/1977 Chambers ..... B62K 9/02  
280/272  
D363,904 S \* 11/1995 Stone ..... D12/128  
6,848,696 B2 \* 2/2005 Miller ..... A61H 3/04  
135/67  
D517,455 S \* 3/2006 Allen ..... D12/130

**DESCRIPTION**

FIG. 1 is a front, left, top-side perspective view of the knee wheeler showing our new design;  
FIG. 2 is a back, right, top-side perspective view thereof;  
FIG. 3 is a top view thereof; and,  
FIG. 4 is a front view thereof.

**1 Claim, 4 Drawing Sheets**

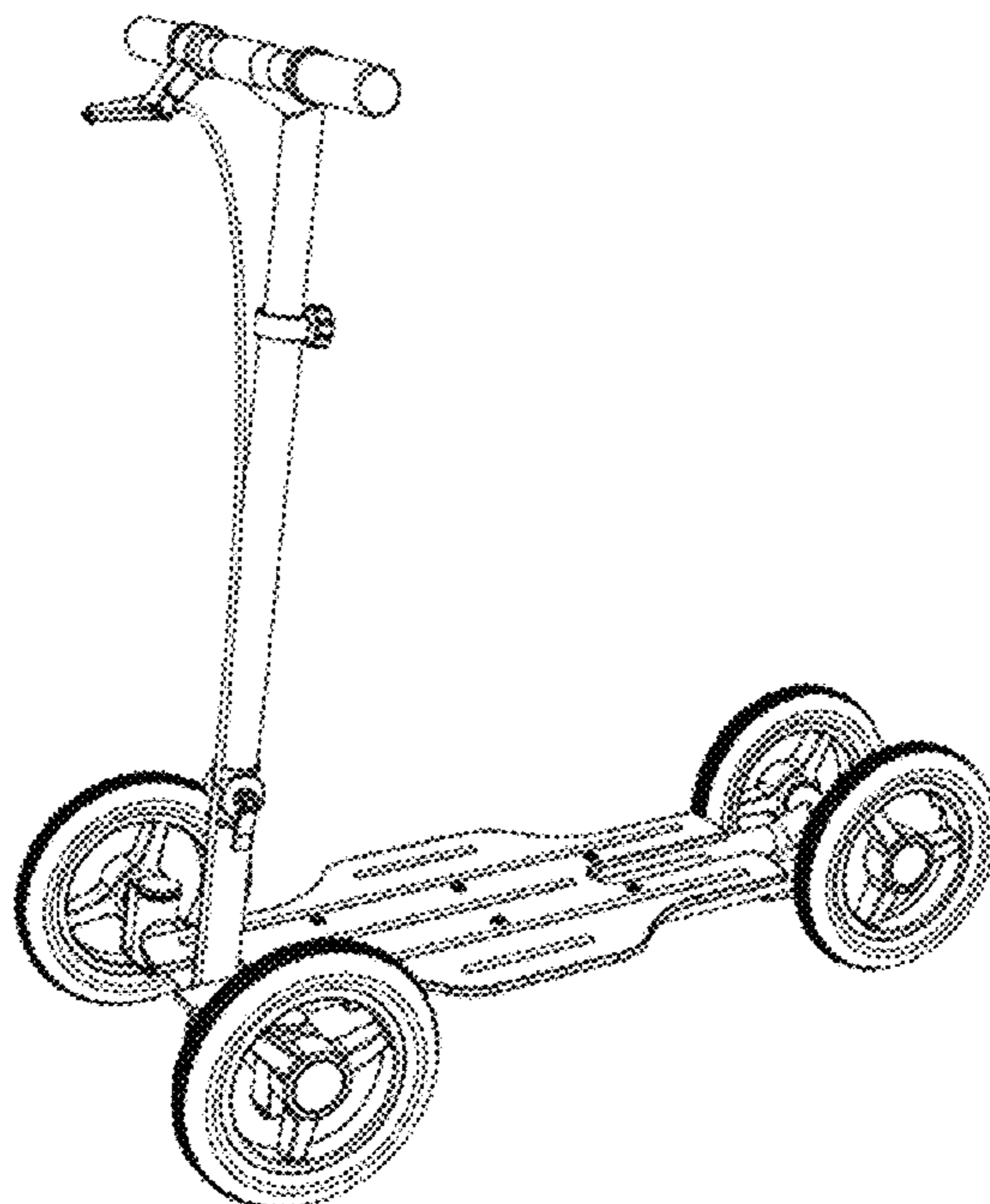




Fig. 1



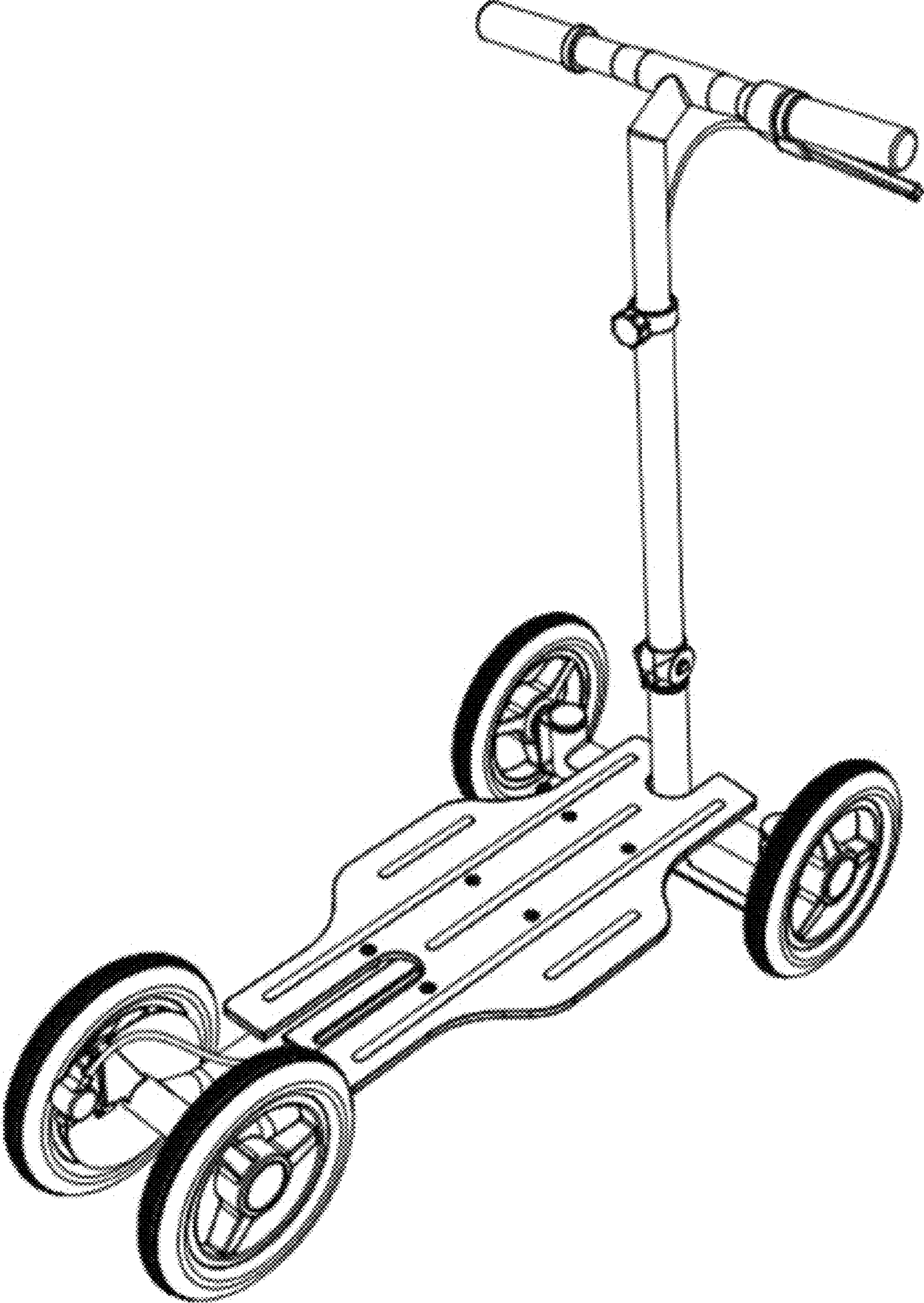


Fig. 2

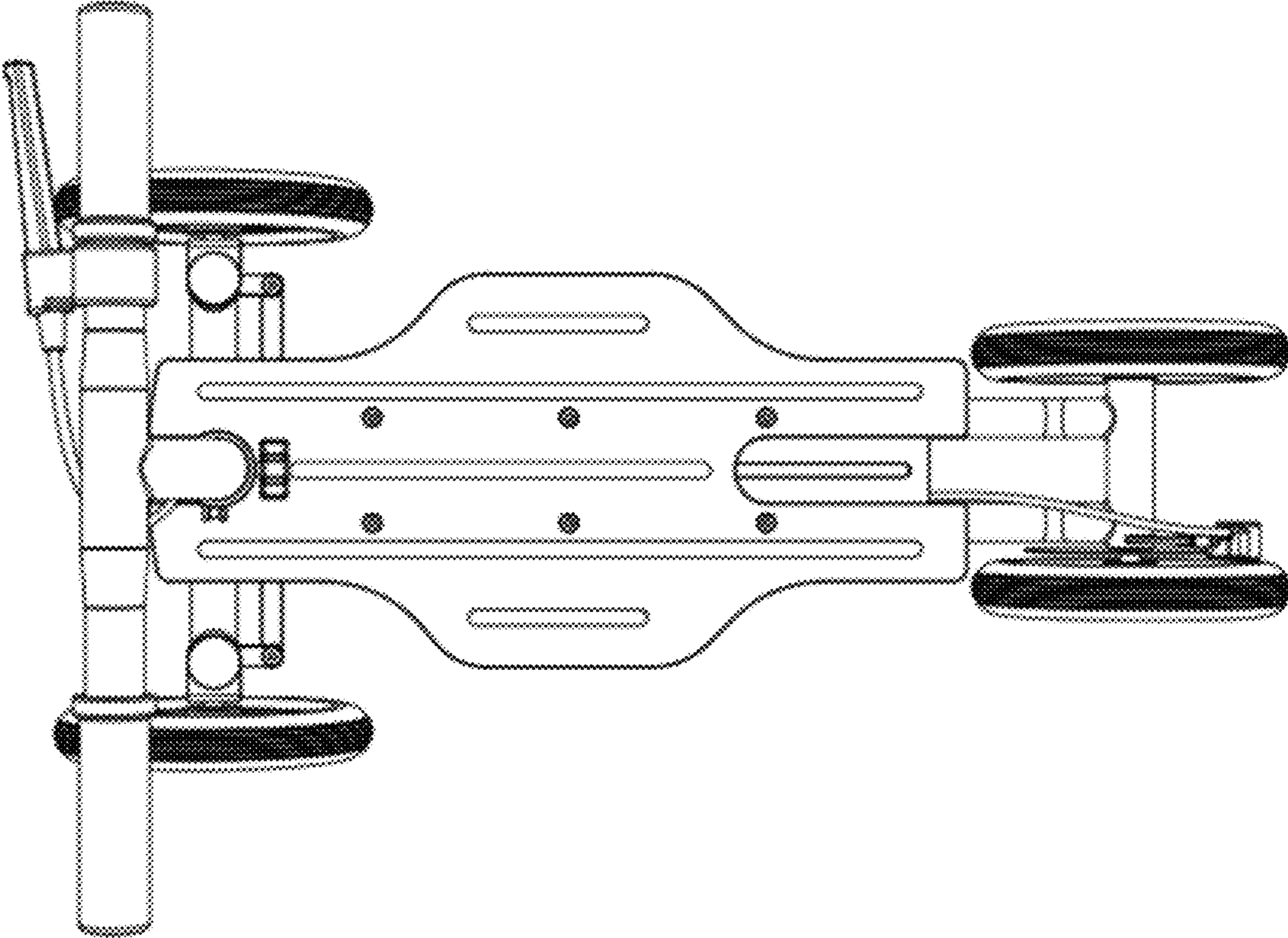


Fig. 3

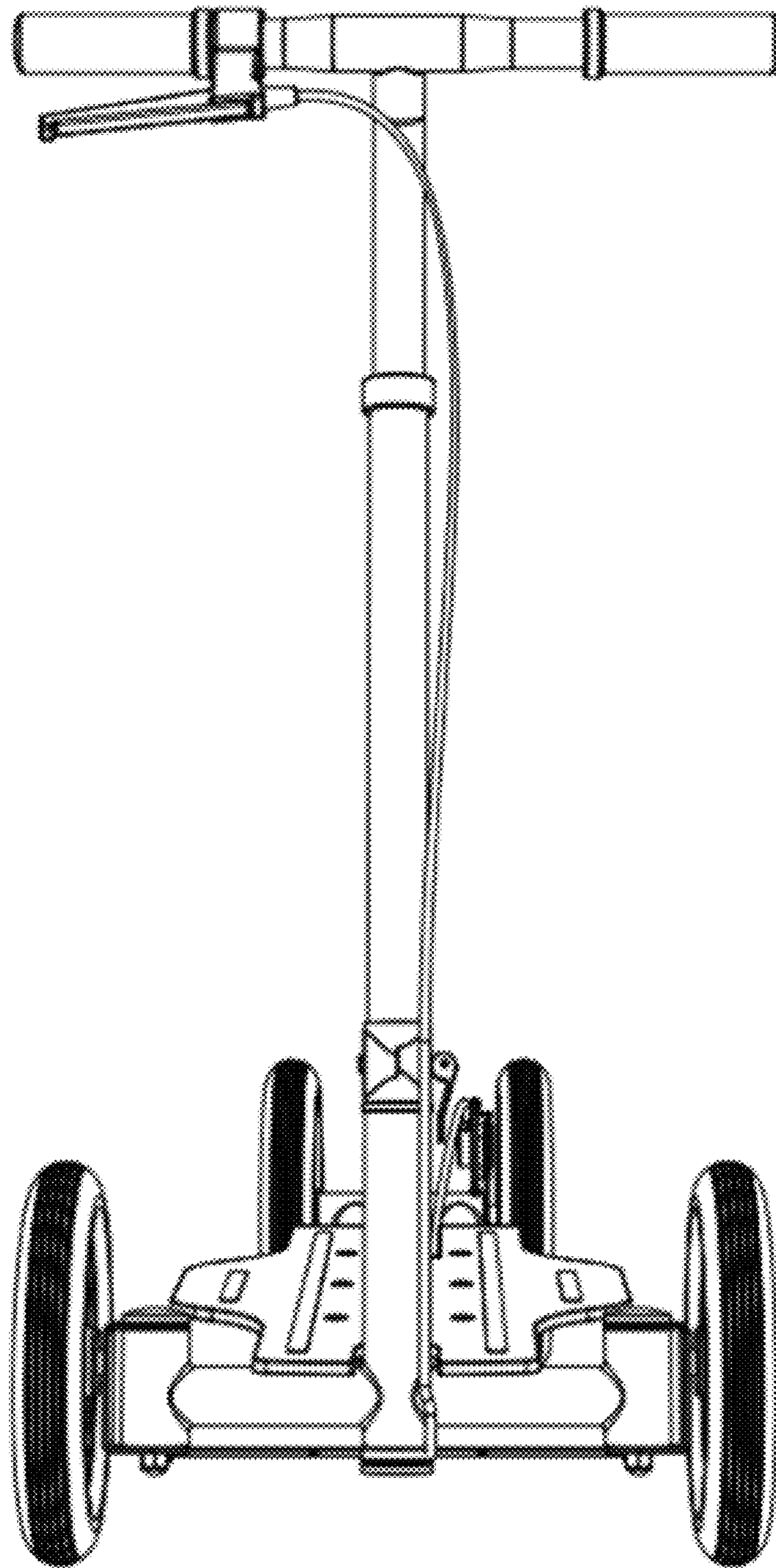


Fig. 4