



US00D810630S

(12) **United States Design Patent**  
**Rugfelt**

(10) **Patent No.:** **US D810,630 S**  
(45) **Date of Patent:** **\*\* Feb. 20, 2018**

(54) **ROLL-UP STRETCHER FOR INJURED PERSONS OR LOADS**

(71) Applicant: **KOHLBRAT & BUNZ GESELLSCHAFT M.B.H.**, Radstadt (AT)

(72) Inventor: **Hakan Rugfelt**, Falsterbo (SE)

(73) Assignee: **Kohlbrat & Bunz Gesellschaft mbH**, Radtstadt (AT)

(\*\*) Term: **15 Years**

(21) Appl. No.: **29/581,479**

(22) Filed: **Oct. 19, 2016**

(56) **References Cited**

U.S. PATENT DOCUMENTS

4,679,260	A *	7/1987	Frettem .....	A61G 1/01 5/627
5,121,514	A *	6/1992	Rosane .....	A61G 1/01 128/870
5,720,303	A *	2/1998	Richardson .....	A61G 1/01 128/870
6,477,728	B1 *	11/2002	Faz .....	A61G 1/017 128/870
D589,848	S *	4/2009	Giduck .....	D12/128
D608,253	S *	1/2010	Giduck .....	D12/128
8,172,238	B2 *	5/2012	Wolf .....	A61G 1/01 224/158
8,615,829	B2 *	12/2013	Kenalty .....	A61G 1/013 5/625
D699,158	S *	2/2014	Calkin .....	D12/128
8,793,827	B1 *	8/2014	Smart .....	A61G 1/044 128/870

(Continued)

*Primary Examiner* — Charles Hanson

(74) *Attorney, Agent, or Firm* — Laurence A. Greenberg; Werner H. Stemer; Ralph E. Locher

(57) **CLAIM**

The ornamental design for a roll-up stretcher, as shown and described.

**DESCRIPTION**

FIG. 1 is a plan view of a pattern for the base plate for a roll-up stretcher showing my new invention; FIG. 2 is an elevation view of a head side thereof; FIG. 3 is an elevation view of a foot side thereof; FIG. 4 is a side view thereof, the two sides being mirror images of one another; FIG. 5 is a bottom plan view thereof; and, FIG. 6 is a perspective view of the roll-up stretcher having been formed into a stretcher trough, the shape of which is retained by the connection straps illustrated in dashed lines. The dashed lines in the drawings form no part of the claimed invention.

**1 Claim, 6 Drawing Sheets**

**Related U.S. Application Data**

(62) Division of application No. 29/510,662, filed on Dec. 2, 2014, now Pat. No. Des. 772,761.

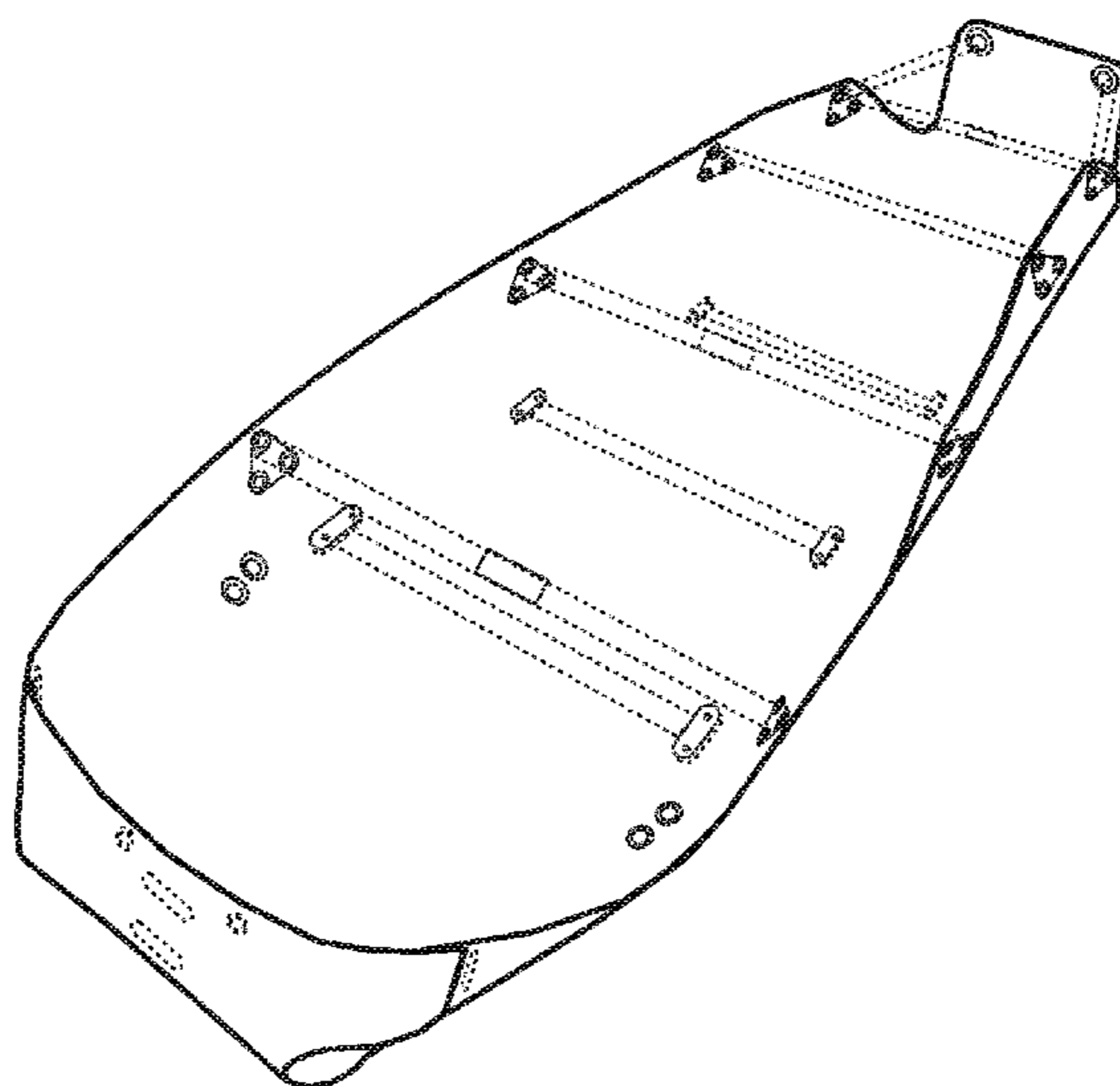
**Foreign Application Priority Data**

Jun. 2, 2014 (EM) ..... 2474429

(51) **LOC (11) Cl.** ..... **12-12**

(52) **U.S. Cl.**  
USPC ..... **D12/128**

(58) **Field of Classification Search**  
USPC ..... D12/128-133  
CPC . A61G 1/04; A61G 1/00; A61G 1/044; A61G 1/048; A61G 1/0212; A61G 1/003; A61G 1/0237; A61G 1/0231; A61G 1/0262; A61G 1/052; A61G 1/0562; A61G 1/0567; A61G 7/0504; A61G 7/103; A61G 7/1046; A61G 13/105  
See application file for complete search history.



(56)

**References Cited**

U.S. PATENT DOCUMENTS

D712,796 S \* 9/2014 Calkin ..... D12/128  
8,898,839 B2 \* 12/2014 Kenalty ..... A61G 1/044  
224/158  
2009/0288255 A1 \* 11/2009 Sakurai ..... A61G 1/01  
5/625

\* cited by examiner

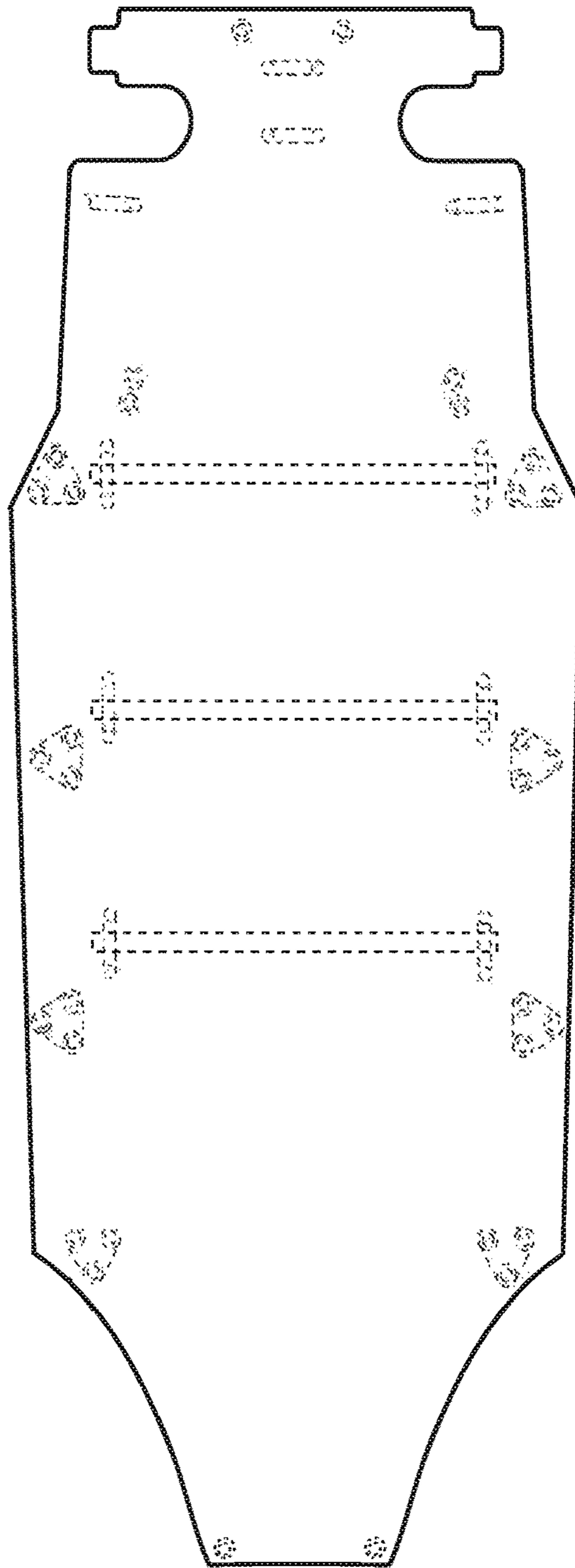


FIG. 1



FIG. 2



FIG. 3



FIG. 4

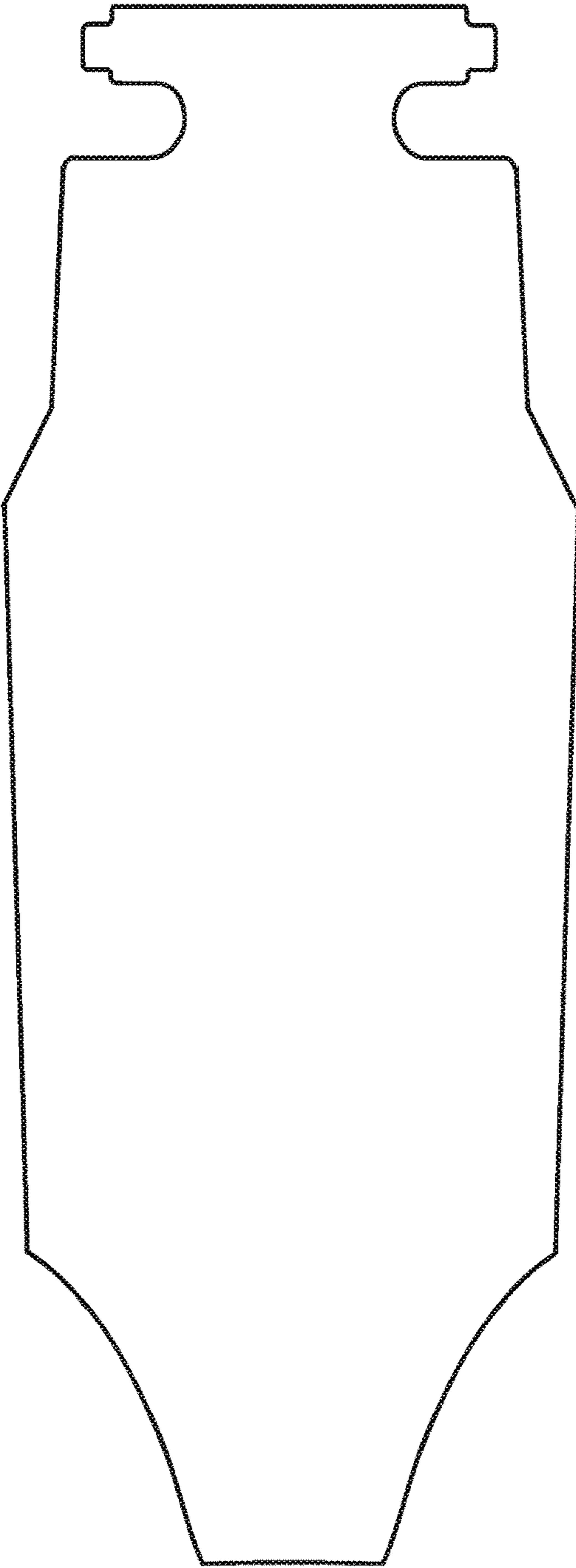


FIG. 5

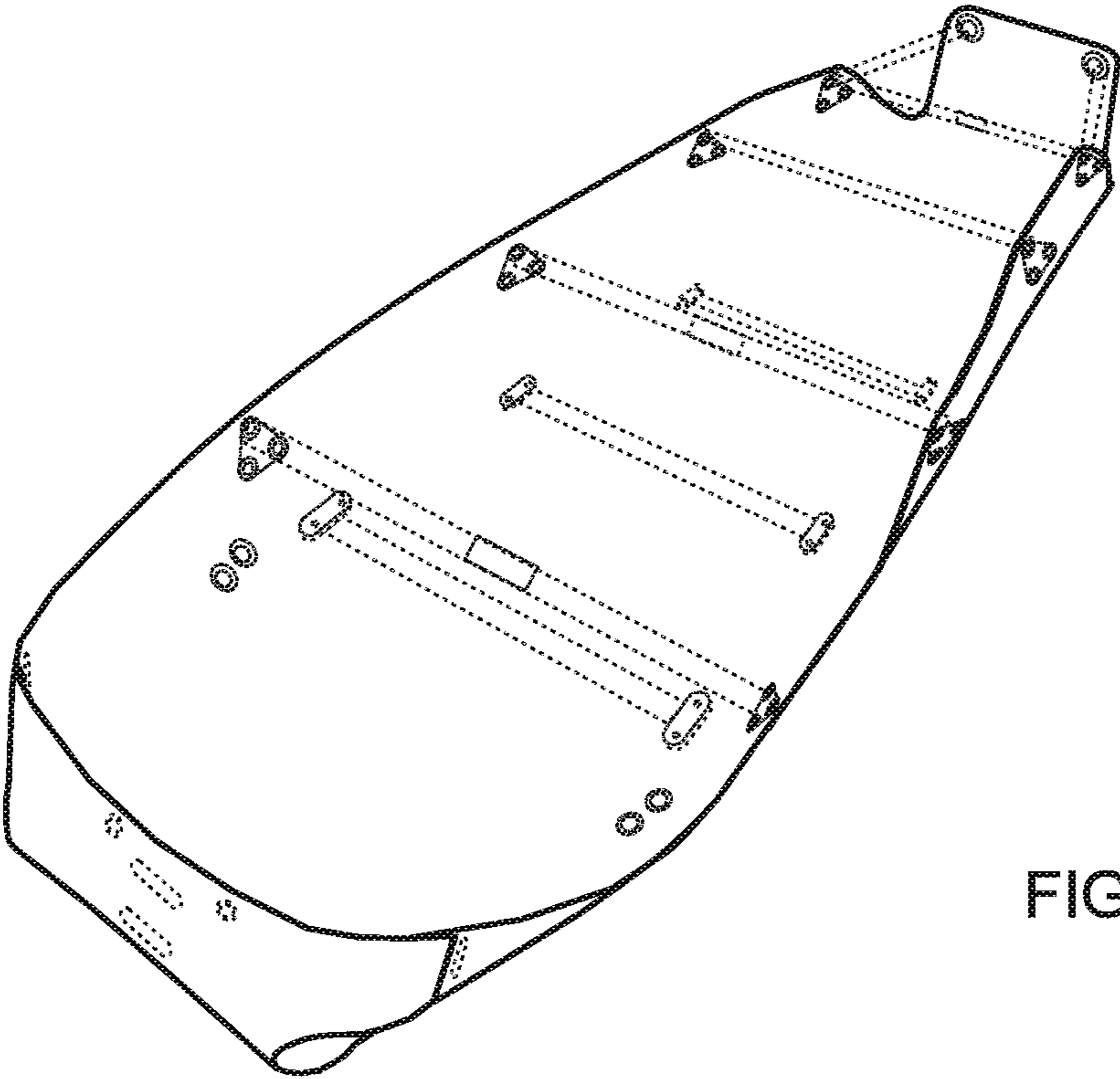


FIG. 6