



US00D810629S

(12) **United States Design Patent**
Ytterborn et al.

(10) **Patent No.:** **US D810,629 S**
(45) **Date of Patent:** **** Feb. 20, 2018**

(54) **ELECTRICAL MOTORCYCLE**

(71) Applicant: **Cake 0 emission AB**, Stockholm (SE)

(72) Inventors: **Karl Ytterborn**, Stockholm (SE); **Nils Ytterborn**, Stockholm (SE); **Jonas Samrelius**, Stockholm (SE)

(73) Assignee: **Cake 0 emission AB**, Stockholm (SE)

(**) Term: **15 Years**

(21) Appl. No.: **29/576,395**

(22) Filed: **Sep. 2, 2016**

(30) **Foreign Application Priority Data**

Mar. 4, 2016 (EM) 003013507-0001
 Mar. 4, 2016 (EM) 003013507-0002
 Mar. 4, 2016 (EM) 003013507-0003

(51) **LOC (11) Cl.** **12-11**

(52) **U.S. Cl.**
USPC **D12/110**

(58) **Field of Classification Search**
USPC D12/110, 111, 117; D21/432, 538
CPC B62K 11/00; B62K 11/02; B62K 11/04;
B62K 11/10; B62K 17/00; B62K 19/00;
B62K 2202/00

See application file for complete search history.

(56) **References Cited**

U.S. PATENT DOCUMENTS

D311,507 S * 10/1990 Sasaki D12/110
 D368,242 S * 3/1996 Camfield D12/111
 D384,600 S * 10/1997 Miwa D12/110
 D385,226 S * 10/1997 Mogi D12/110
 D387,017 S * 12/1997 Wakita D12/110
 D430,822 S * 9/2000 Sakaguchi D12/110
 D431,501 S * 10/2000 Yamamoto D12/110

D456,315 S * 4/2002 Sawabe D12/110
 D482,639 S * 11/2003 Yamamoto D12/110
 D497,329 S * 10/2004 Yamamoto D12/110
 D497,330 S * 10/2004 Fukuyama D12/110
 D513,481 S * 1/2006 Lin D12/110
 D517,956 S * 3/2006 Kishi D12/110
 D523,783 S * 6/2006 Sugimoto D12/110
 D524,191 S * 7/2006 Sugimoto D12/110
 D526,249 S * 8/2006 Tanaka D12/110
 D526,936 S * 8/2006 Maruyama D12/110
 D549,136 S * 8/2007 Yu D12/110
 D559,155 S * 1/2008 Sakata D12/110
 D566,626 S * 4/2008 Sakata D12/110
 D581,840 S * 12/2008 Ichihara D12/110
 D590,302 S * 4/2009 Tanaka D12/110
 D594,784 S * 6/2009 Ichihara D12/110
 D598,330 S * 8/2009 Miyanishi D12/110
 D603,300 S * 11/2009 Fukuyama D12/110
 D609,609 S * 2/2010 Hayashi D12/110
 D609,610 S * 2/2010 Inose D12/110
 D621,301 S * 8/2010 Hayashi D12/110
 D632,226 S * 2/2011 Miyata D12/110
 D640,173 S * 6/2011 Oyanagi D12/110
 D662,857 S * 7/2012 Petersson D12/110
 D662,858 S * 7/2012 Yamazaki D12/110

(Continued)

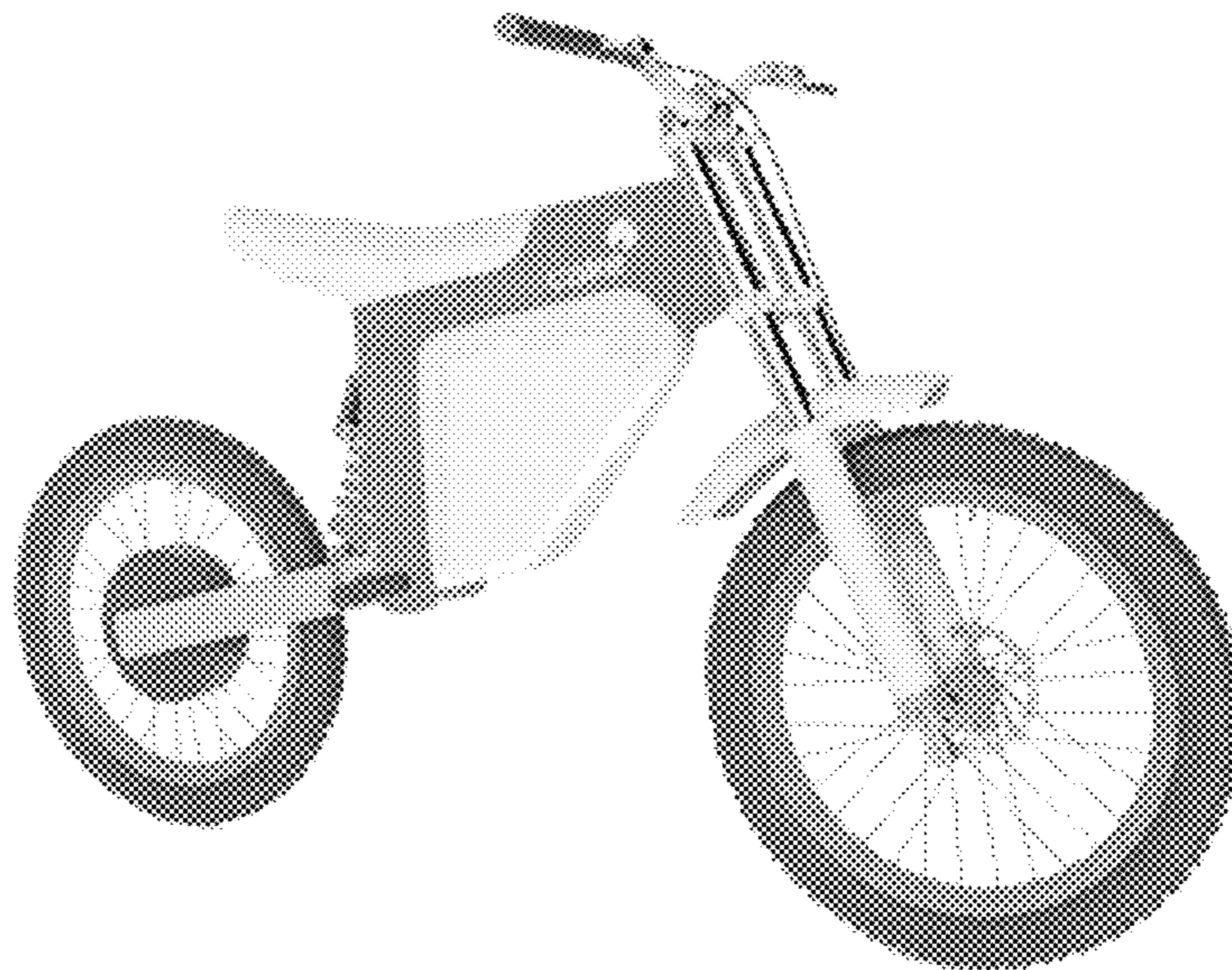
Primary Examiner — Darlington Ly
(74) *Attorney, Agent, or Firm* — Tucker Ellis LLP

(57) **CLAIM**
The ornamental design for an electrical motorcycle, as shown and described.

DESCRIPTION

FIG. 1 is a front and right side perspective view of the electrical motorcycle showing our new design; FIG. 2 is a rear and right side perspective view thereof; FIG. 3 is a left side elevation view thereof; FIG. 4 is a top plan view thereof; FIG. 5 is a front elevation view thereof; and, FIG. 6 is a rear elevation view thereof.

1 Claim, 3 Drawing Sheets



(56)

References Cited

U.S. PATENT DOCUMENTS

D662,859	S *	7/2012	Matsuoka	D12/110
D665,706	S *	8/2012	Oyanagi	D12/110
D685,682	S *	7/2013	Matsumura	D12/110
D698,702	S *	2/2014	Kubanek	D12/110
D724,496	S *	3/2015	Takeda	D12/110
D734,215	S *	7/2015	Forrellad	D12/110
D735,086	S *	7/2015	Talios	D12/110
D735,087	S *	7/2015	Iimura	D12/110
D738,260	S *	9/2015	Akita	D12/110
D738,789	S *	9/2015	Inose	D12/110
D754,567	S *	4/2016	Iimura	D12/110
2005/0029773	A1 *	2/2005	Day	B62K 25/283 280/284

* cited by examiner

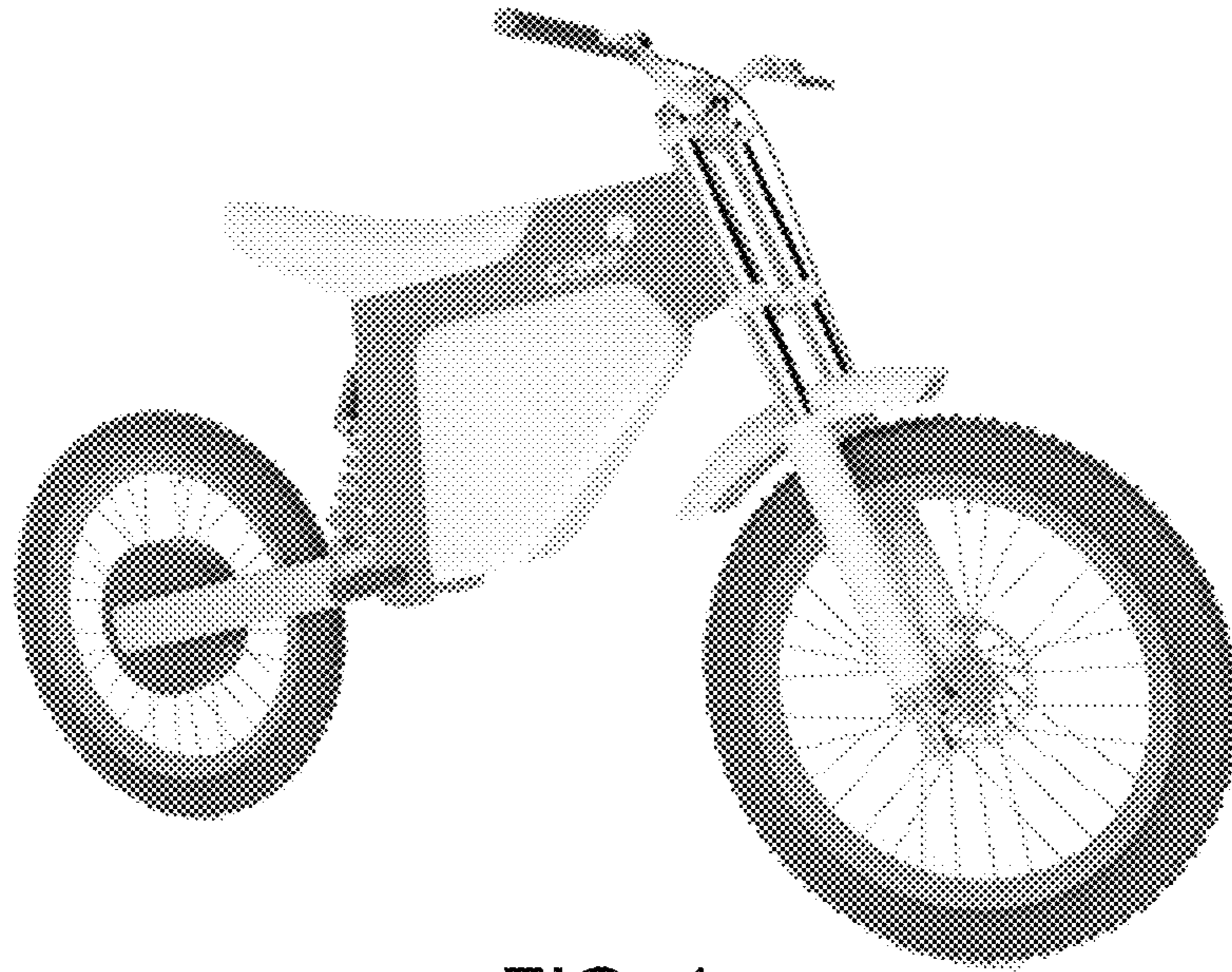


FIG. 1

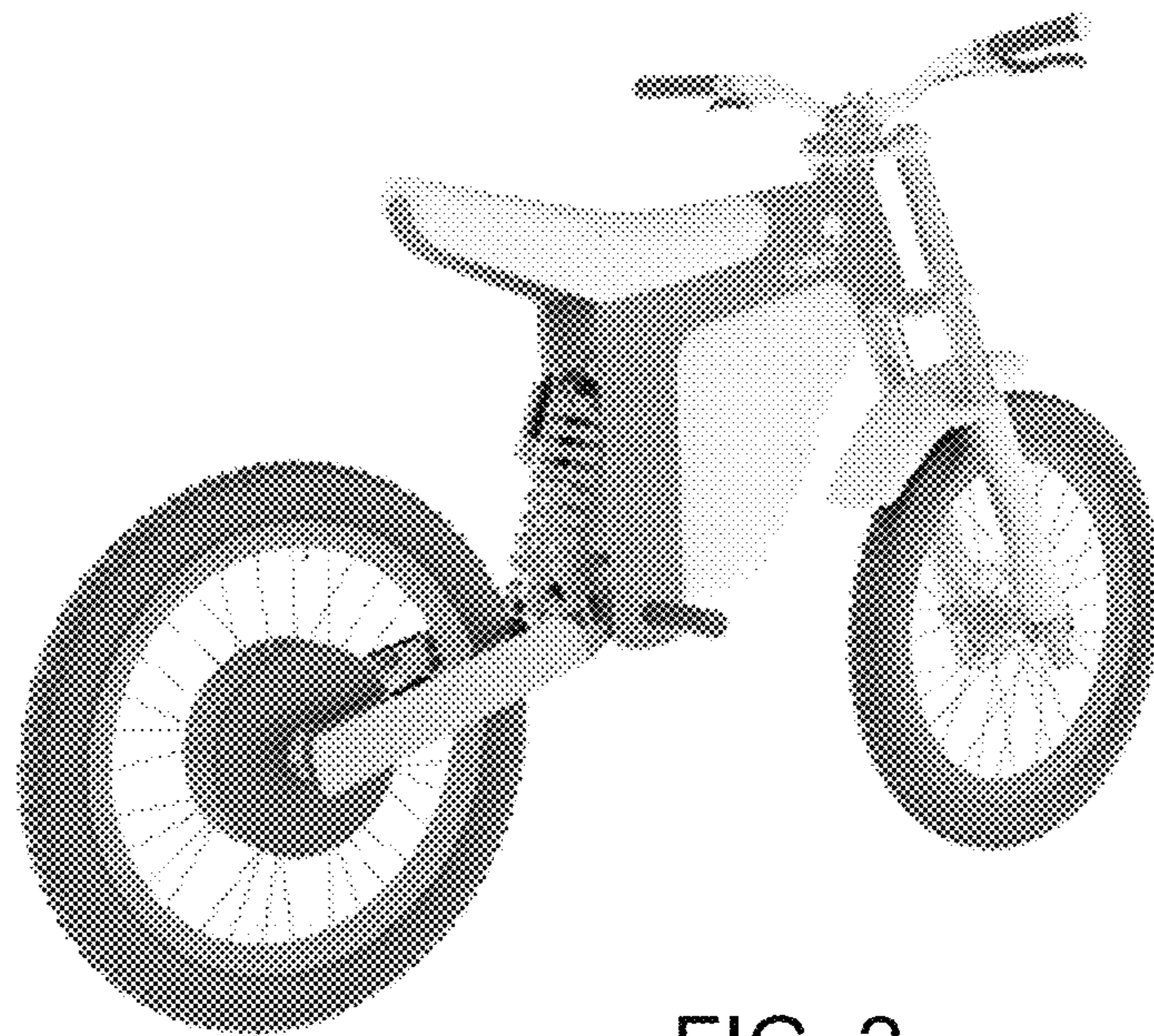


FIG. 2

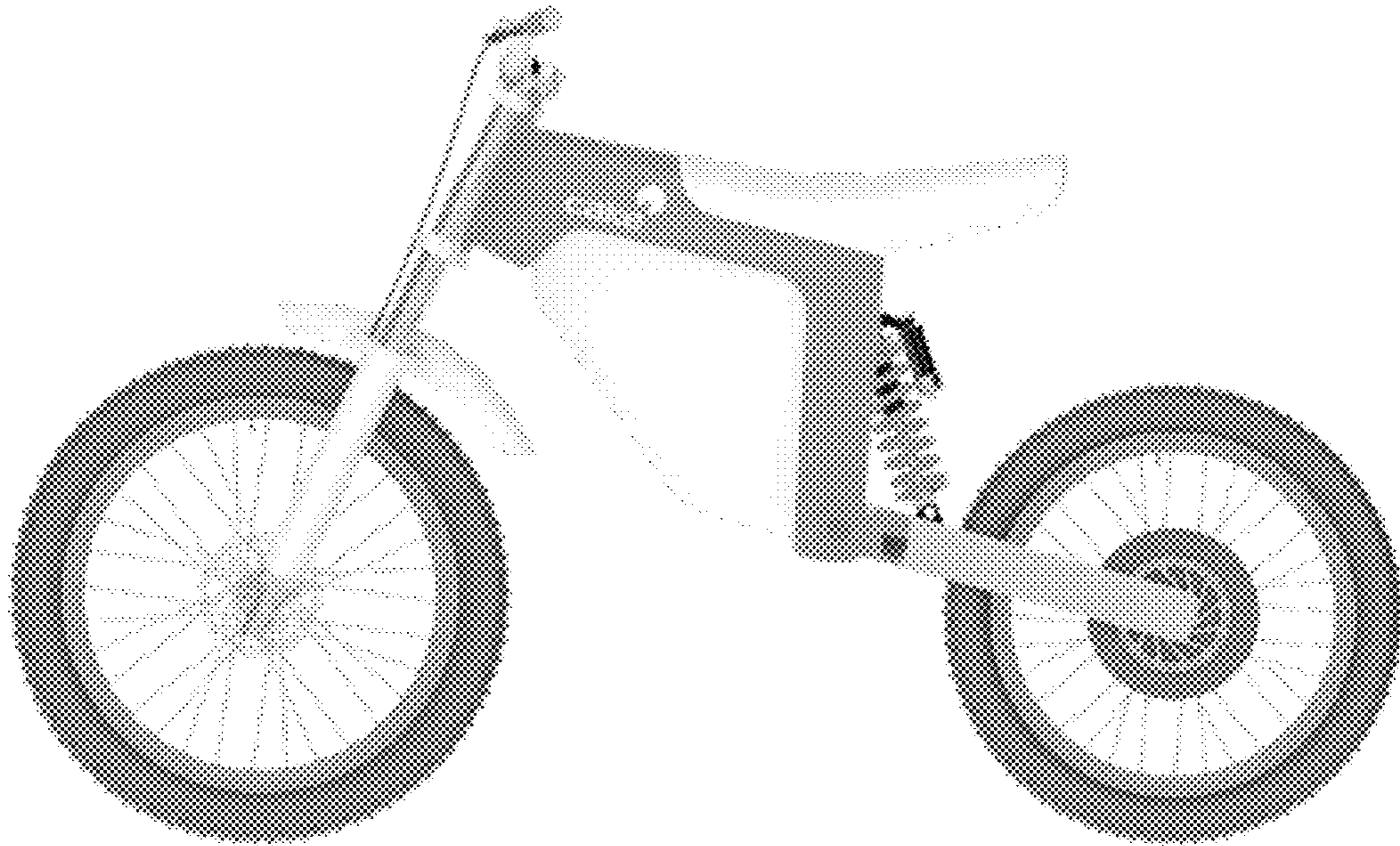


FIG. 3

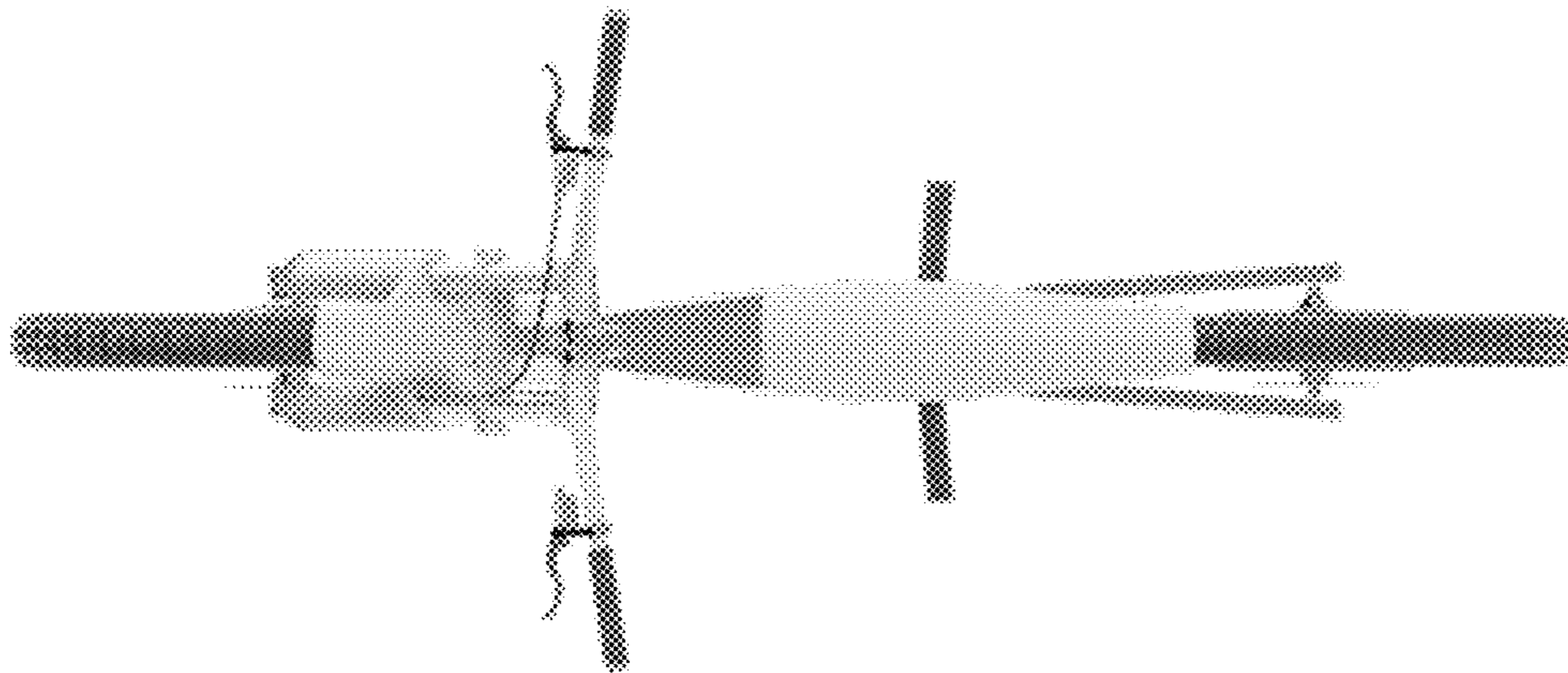


FIG. 4

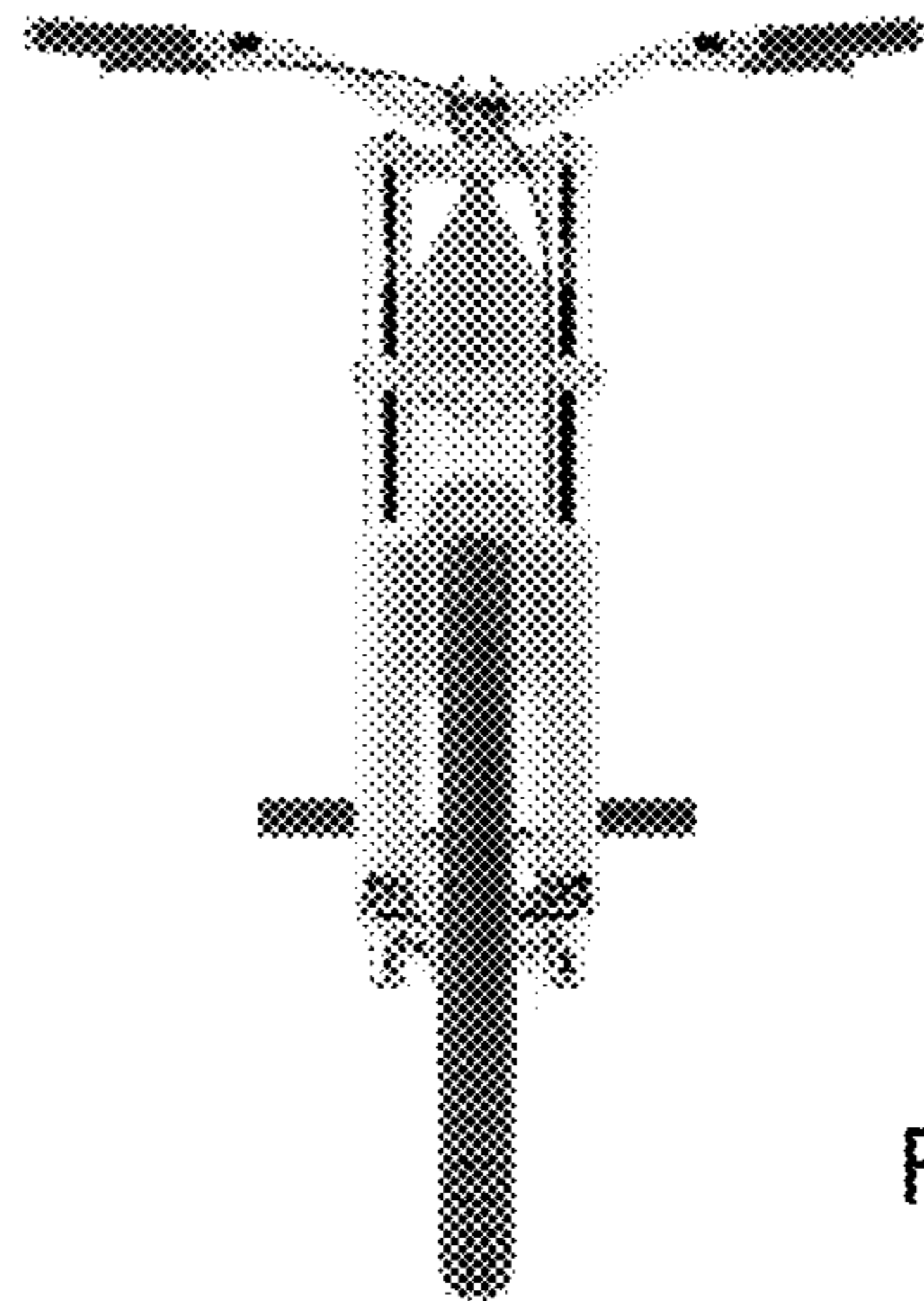


FIG. 5

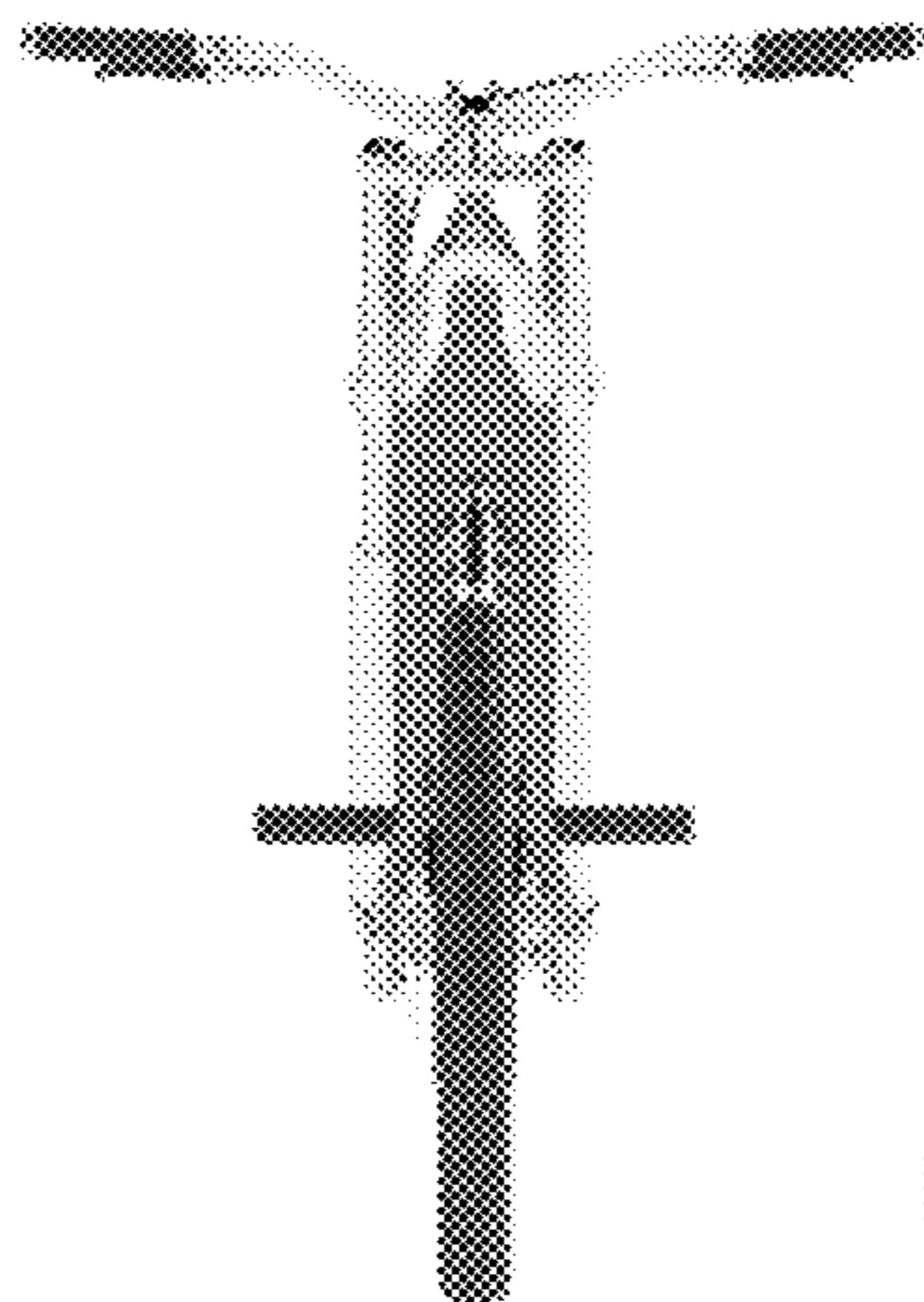


FIG. 6