



US00D810628S

(12) **United States Design Patent**
Li et al.

(10) **Patent No.:** **US D810,628 S**
(45) **Date of Patent:** **** Feb. 20, 2018**

(54) **ELECTRIC THREE WHEEL MOTORCYCLE**

(71) Applicants: **Guande Li**, Shengzhou (CN);
Hongliang Chen, Shengzhou (CN)

(72) Inventors: **Guande Li**, Shengzhou (CN);
Hongliang Chen, Shengzhou (CN)

(73) Assignee: **Shengzhou Zhonggong Electrical Co., Ltd.**, Shengzhou, Zhejiang (CN)

(**) Term: **15 Years**

(21) Appl. No.: **29/555,640**

(22) Filed: **Feb. 24, 2016**

(51) **LOC (11) Cl.** **12-11**

(52) **U.S. Cl.**
USPC **D12/107; D12/110**

(58) **Field of Classification Search**
USPC D12/85, 86, 107, 110, 112, 131;
D21/424, 433, 434; 180/65.1, 210–212,
180/311, 312, 908; 280/181.1, 181.5;
296/88, 264, 267, 288.1
CPC B62D 21/11; B62D 29/043; B62D 31/00;
B62D 49/00; B62D 61/065; B62L 3/00;
B62K 3/005; B62K 5/01; B62K 5/08;
B62K 5/027

See application file for complete search history.

(56) **References Cited**

U.S. PATENT DOCUMENTS

D485,788 S * 1/2004 Guay D12/107
D547,242 S * 7/2007 Lambri B62K 5/08
D12/110

D593,908 S * 6/2009 Longpre D12/107
D596,081 S * 7/2009 Longpre D12/107
D598,328 S * 8/2009 Lambri B62K 5/05
D12/110
D627,263 S * 11/2010 Guay D12/110
2004/0140140 A1* 7/2004 Guay B62K 5/027
180/210
2005/0217909 A1* 10/2005 Guay B60K 11/04
180/68.4
2007/0075514 A1* 4/2007 Saiki B60G 7/00
280/124.103
2007/0256882 A1* 11/2007 Bedard B62K 5/027
180/312

* cited by examiner

Primary Examiner — Darlington Ly

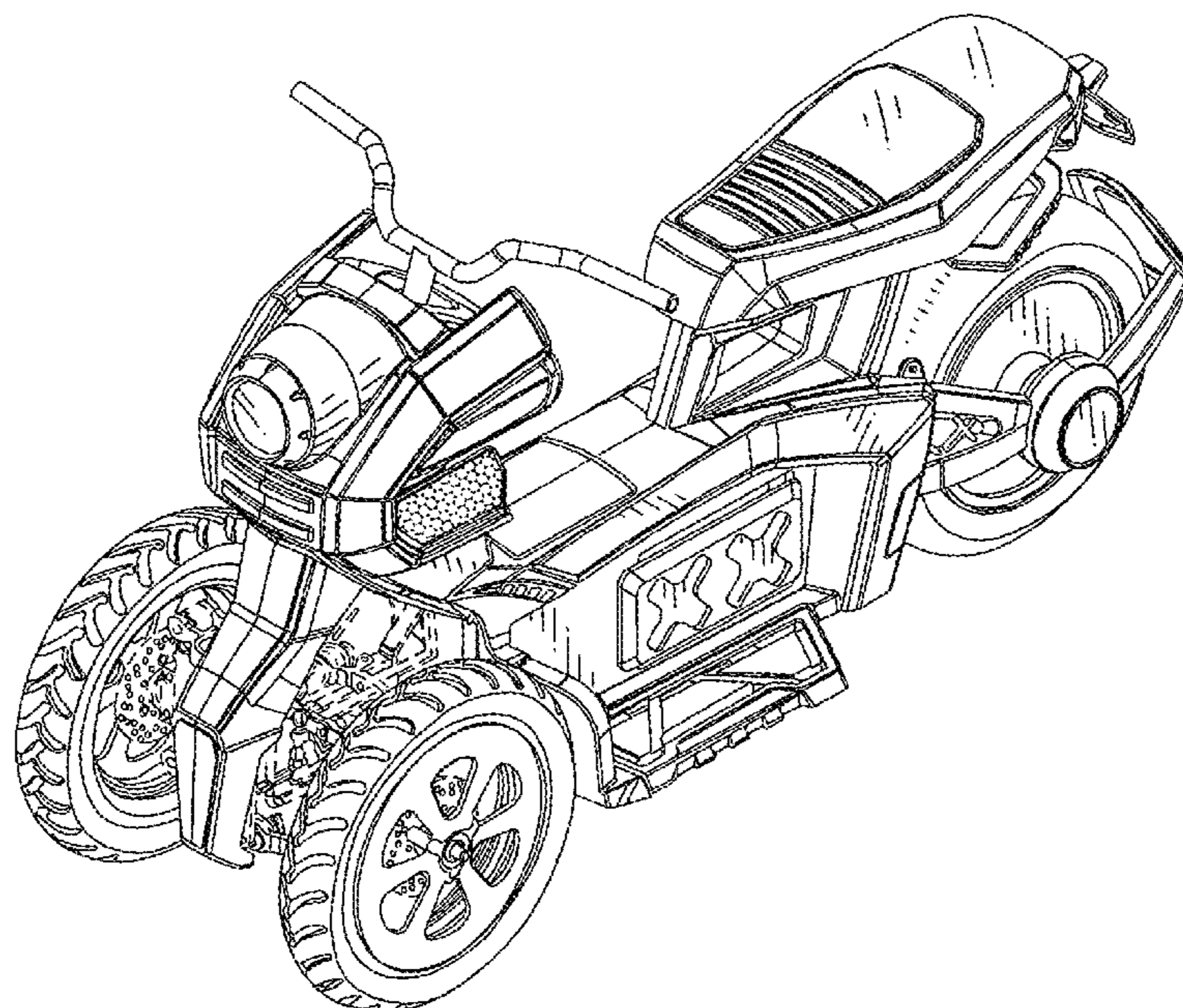
(57) **CLAIM**

The ornamental design for an electric three wheel motorcycle, as shown and described.

DESCRIPTION

FIG. 1 is a perspective view of an electric three wheel motorcycle showing our new design; FIG. 2 is a front elevational view thereof; FIG. 3 is a rear elevational view thereof; FIG. 4 is a left elevational view thereof; FIG. 5 is a right elevational view thereof; FIG. 6 is a top plan view thereof; and, FIG. 7 is a bottom plan view thereof. The broken lines depict environment in the Figures that is for the purpose of illustration and forms no part of the claimed design.

1 Claim, 7 Drawing Sheets



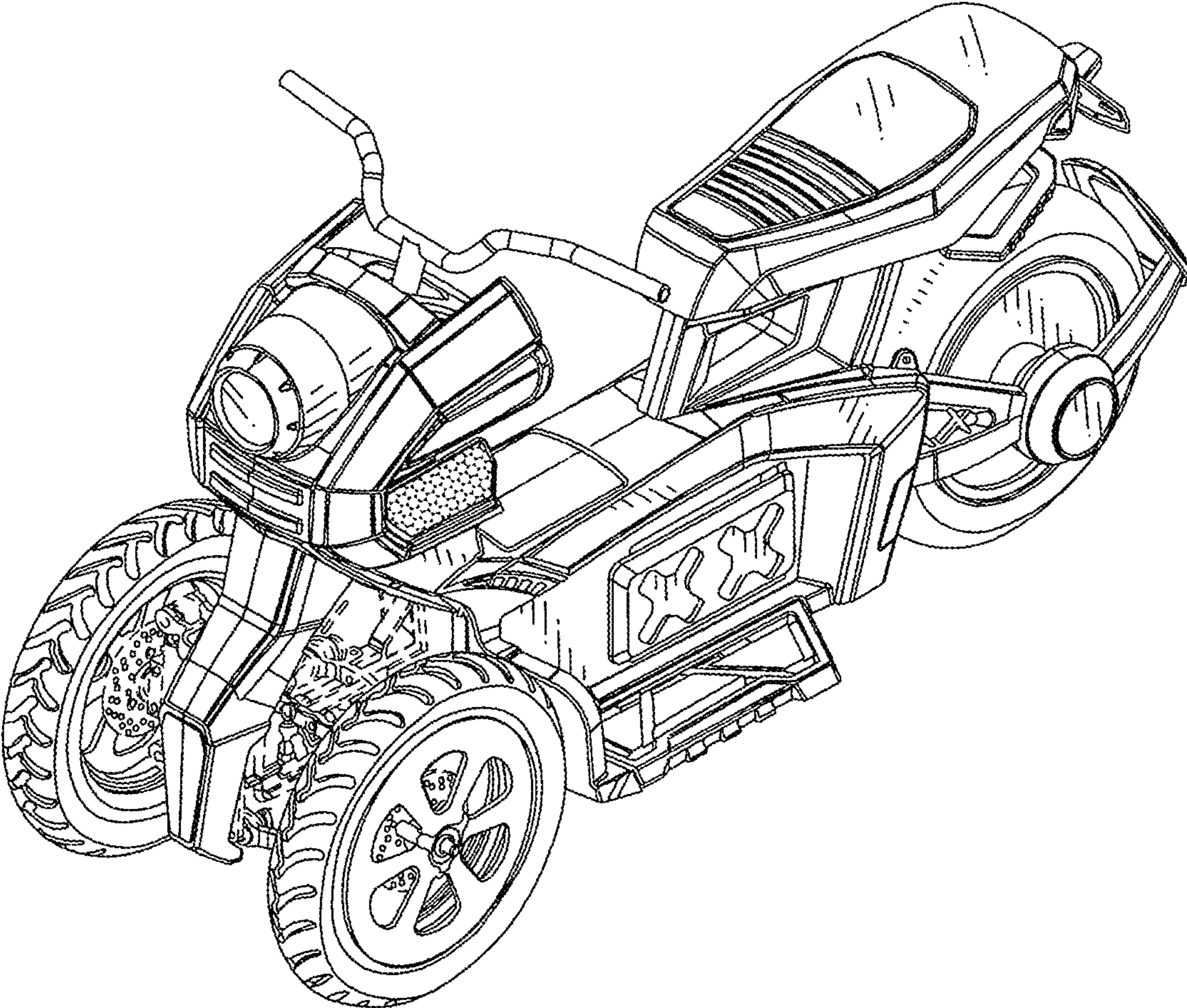


Fig.1

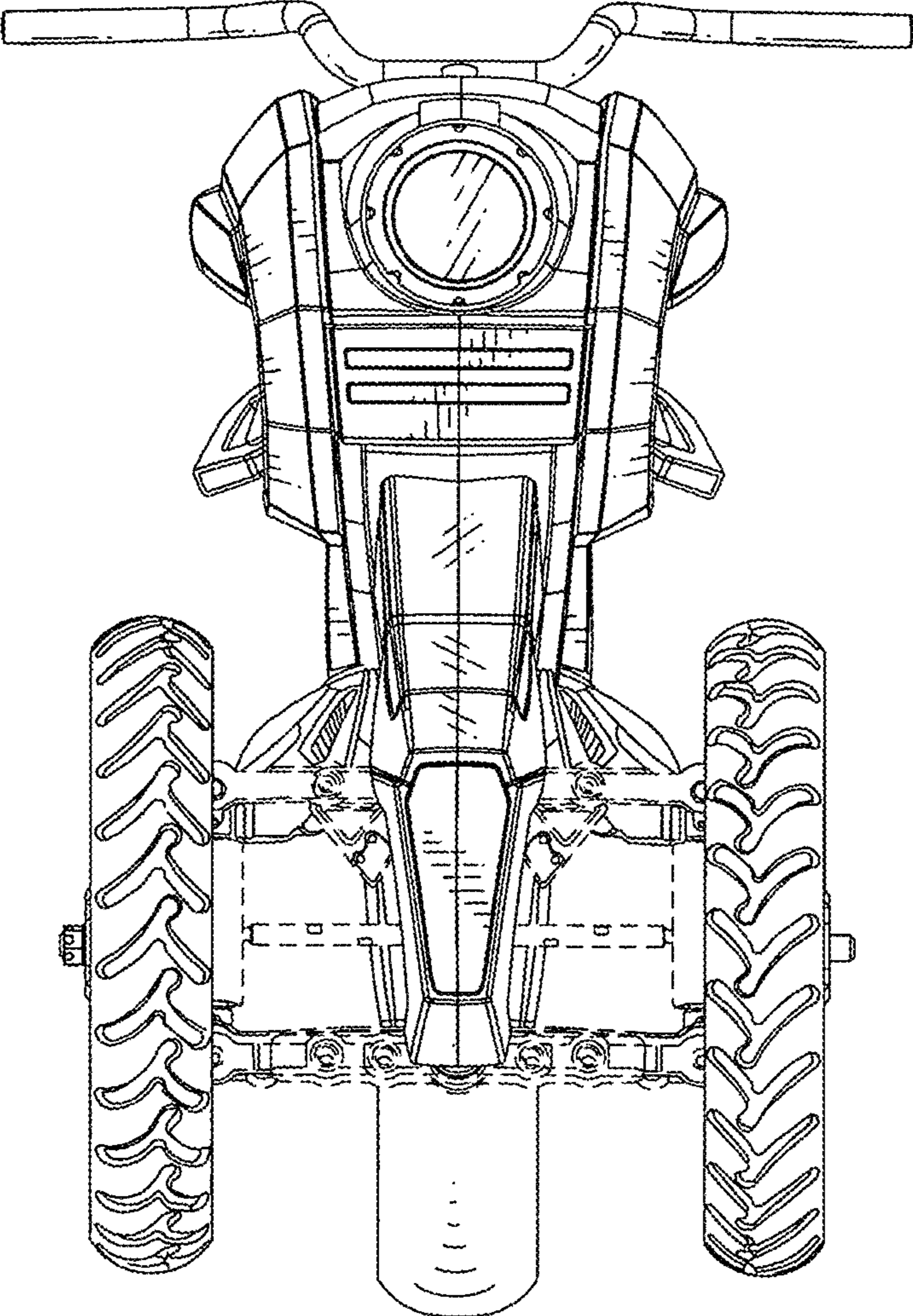


Fig.2

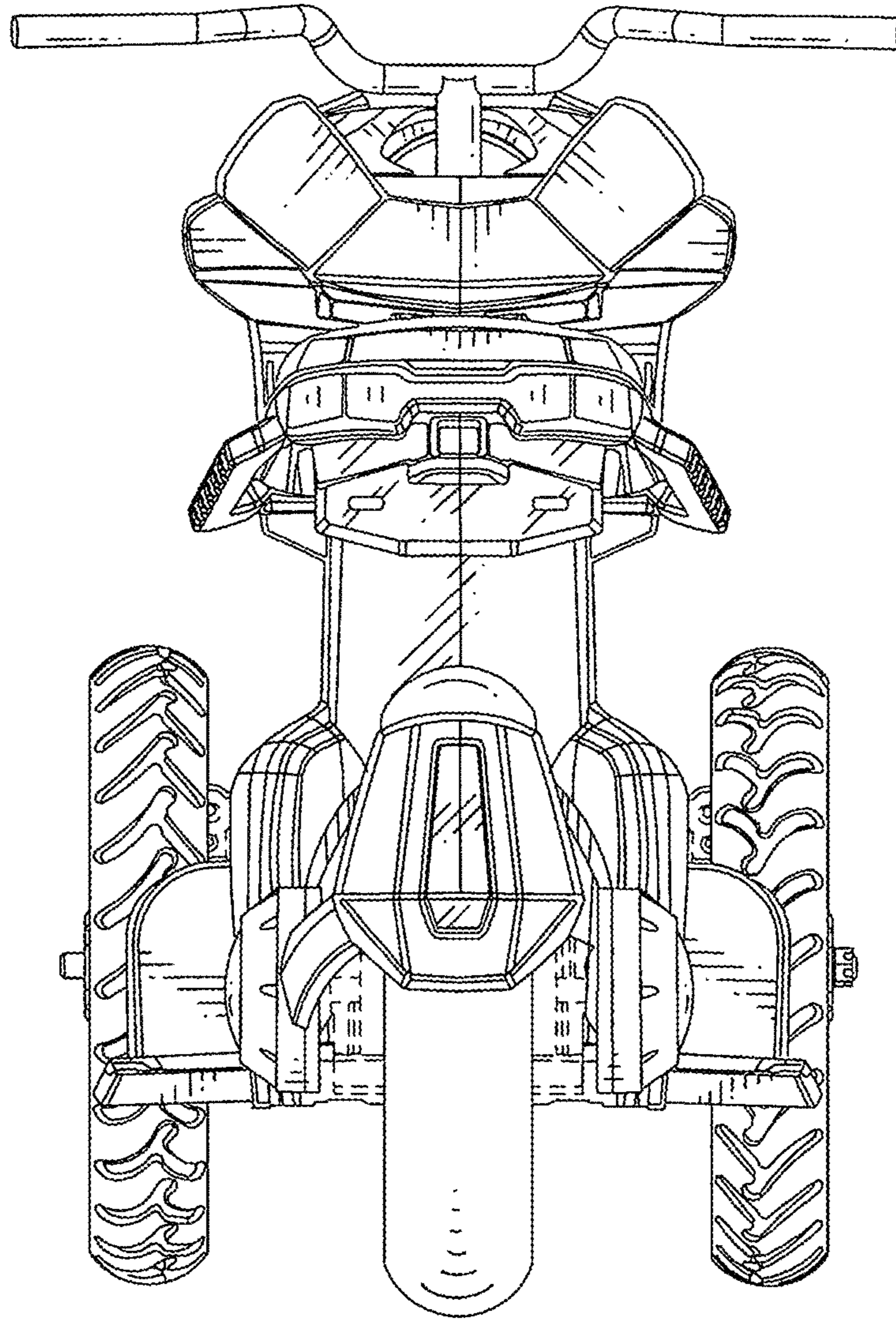


Fig.3

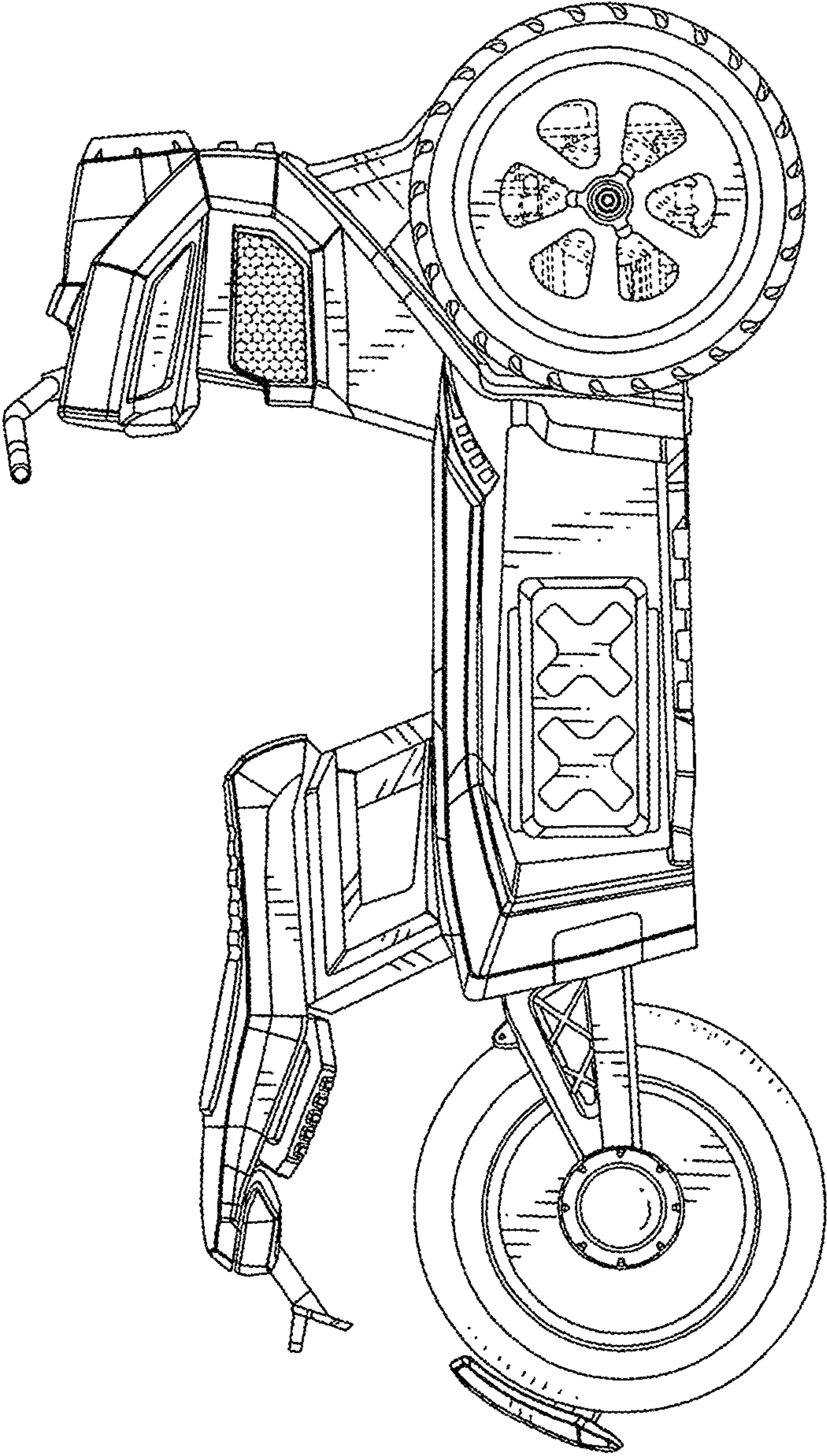


Fig.4

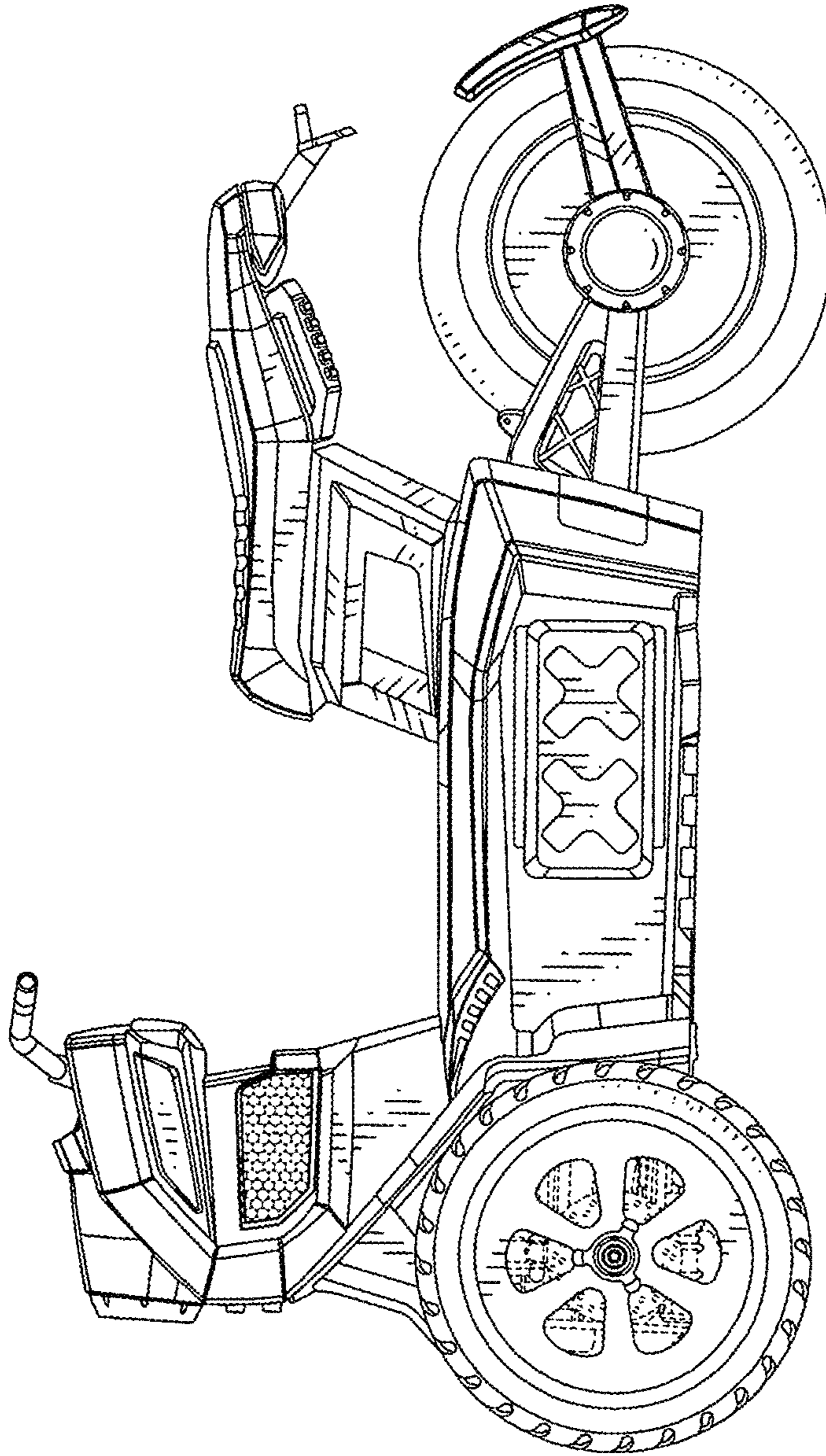


Fig. 5

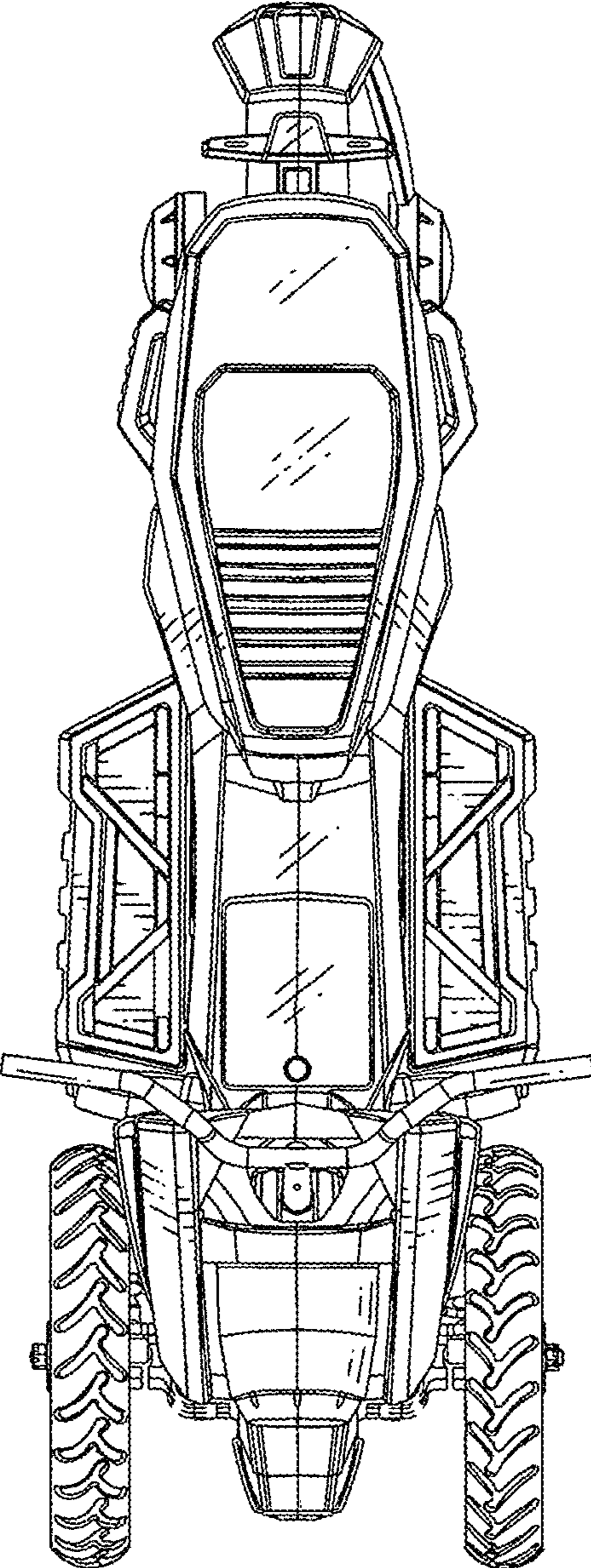


Fig.6

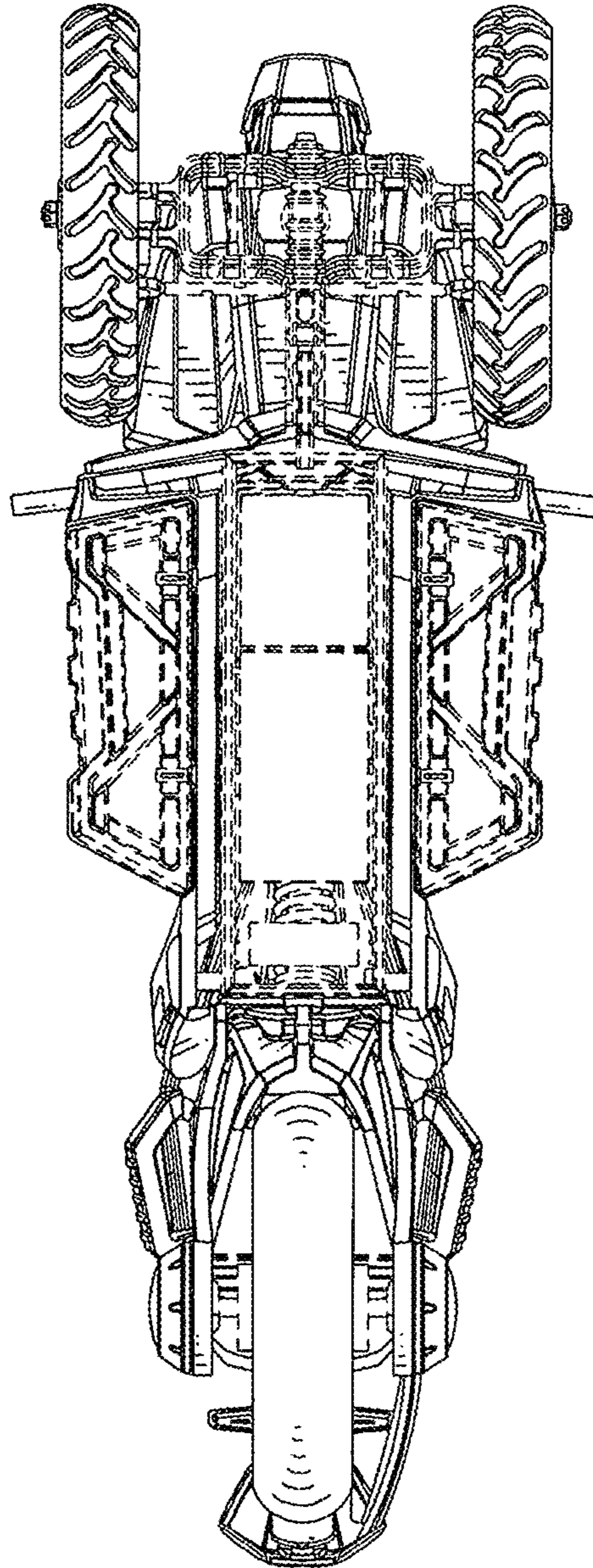


Fig.7