



US00D810626S

(12) **United States Design Patent**
Macey et al.

(10) **Patent No.:** **US D810,626 S**

(45) **Date of Patent:** **** Feb. 20, 2018**

(54) **AUTOMOBILE EXTERIOR**

(71) Applicants: **Alan S Macey**, Bloomfield Hills, MI (US); **Frank Dionisopoulos**, Grosse Pointe Shores, MI (US); **Khashayar Honarkhah**, Bloomfield Hills, MI (US)

(72) Inventors: **Alan S Macey**, Bloomfield Hills, MI (US); **Frank Dionisopoulos**, Grosse Pointe Shores, MI (US); **Khashayar Honarkhah**, Bloomfield Hills, MI (US)

(73) Assignee: **FCA US LLC**, Auburn Hills, MI (US)

(**) Term: **15 Years**

(21) Appl. No.: **29/577,892**

(22) Filed: **Sep. 16, 2016**

(51) **LOC (11) Cl.** **12-08**

(52) **U.S. Cl.**
USPC **D12/91**

(58) **Field of Classification Search**
USPC D12/86, 90-92, 88; D21/421, 433, 434;
296/181.1, 181.5
CPC B62D 35/00; B62D 25/00; B62D 25/06;
B62D 33/00
See application file for complete search history.

(56) **References Cited**

U.S. PATENT DOCUMENTS

D497,572 S 10/2004 Widmann et al.
D507,766 S 7/2005 McMahan et al.

D513,395 S 1/2006 Pizzuti et al.
D534,836 S 1/2007 Moushegian et al.
D535,585 S * 1/2007 Moushegian D12/91
D554,563 S * 11/2007 Moushegian D12/91
D565,466 S * 4/2008 Moushegian D12/91
D568,792 S * 5/2008 Moushegian D12/91
D573,507 S * 7/2008 Moushegian D12/91
D624,851 S * 10/2010 Feng D12/91

* cited by examiner

Primary Examiner — Melody N Brown

(74) *Attorney, Agent, or Firm* — Ralph E. Smith

(57) **CLAIM**

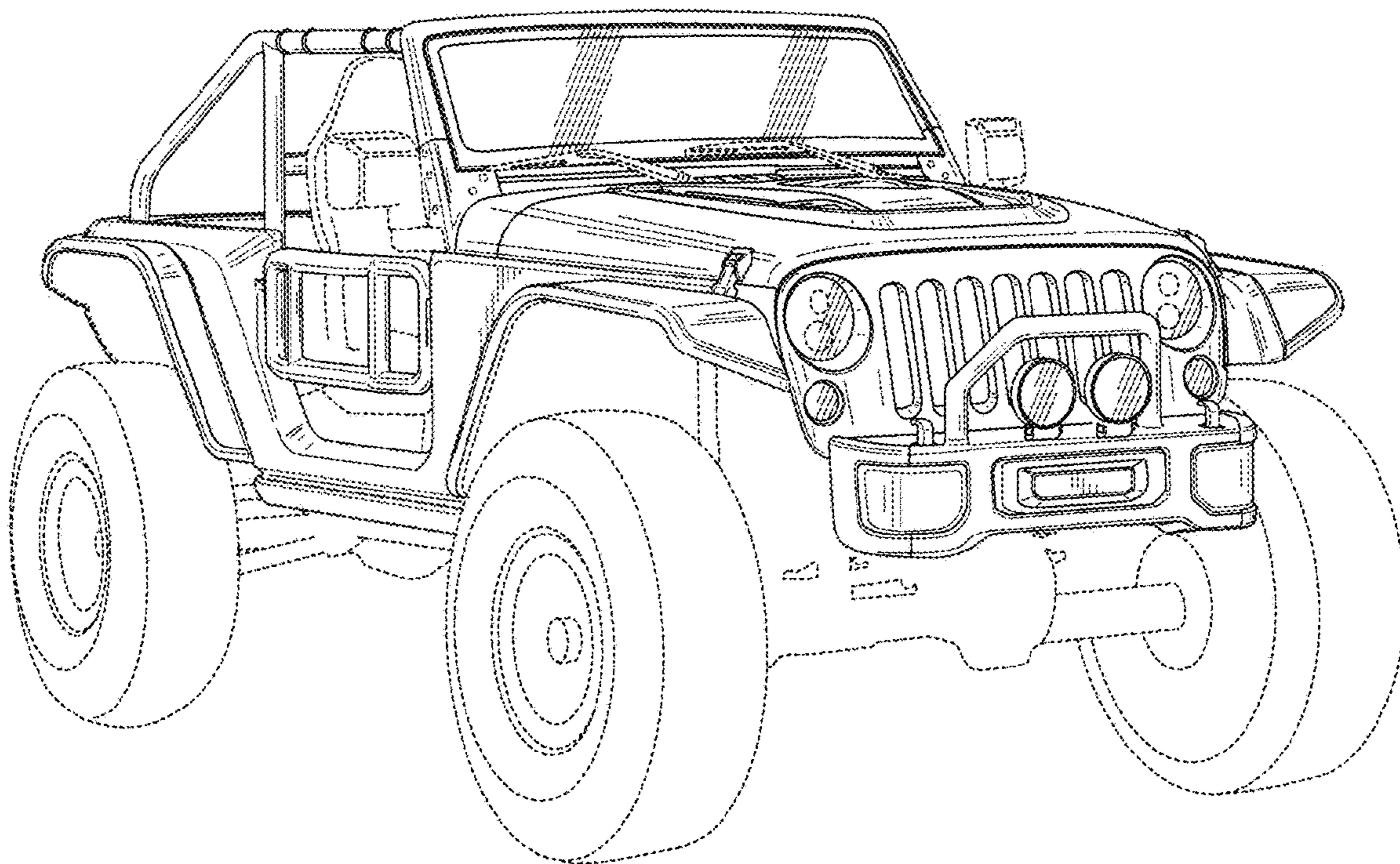
The ornamental design for an automobile exterior, as shown and described.

DESCRIPTION

FIG. 1 is a front perspective view of an automobile exterior showing our new design;
FIG. 2 is a rear perspective view thereof;
FIG. 3 is a front view thereof;
FIG. 4 is a back view thereof;
FIG. 5 is a right side view thereof;
FIG. 6 is a left side view thereof; and,
FIG. 7 is a top view thereof.

It will be understood that the broken lines shown in the drawings illustrate portions of the automobile exterior that form no part of claimed design.

1 Claim, 7 Drawing Sheets



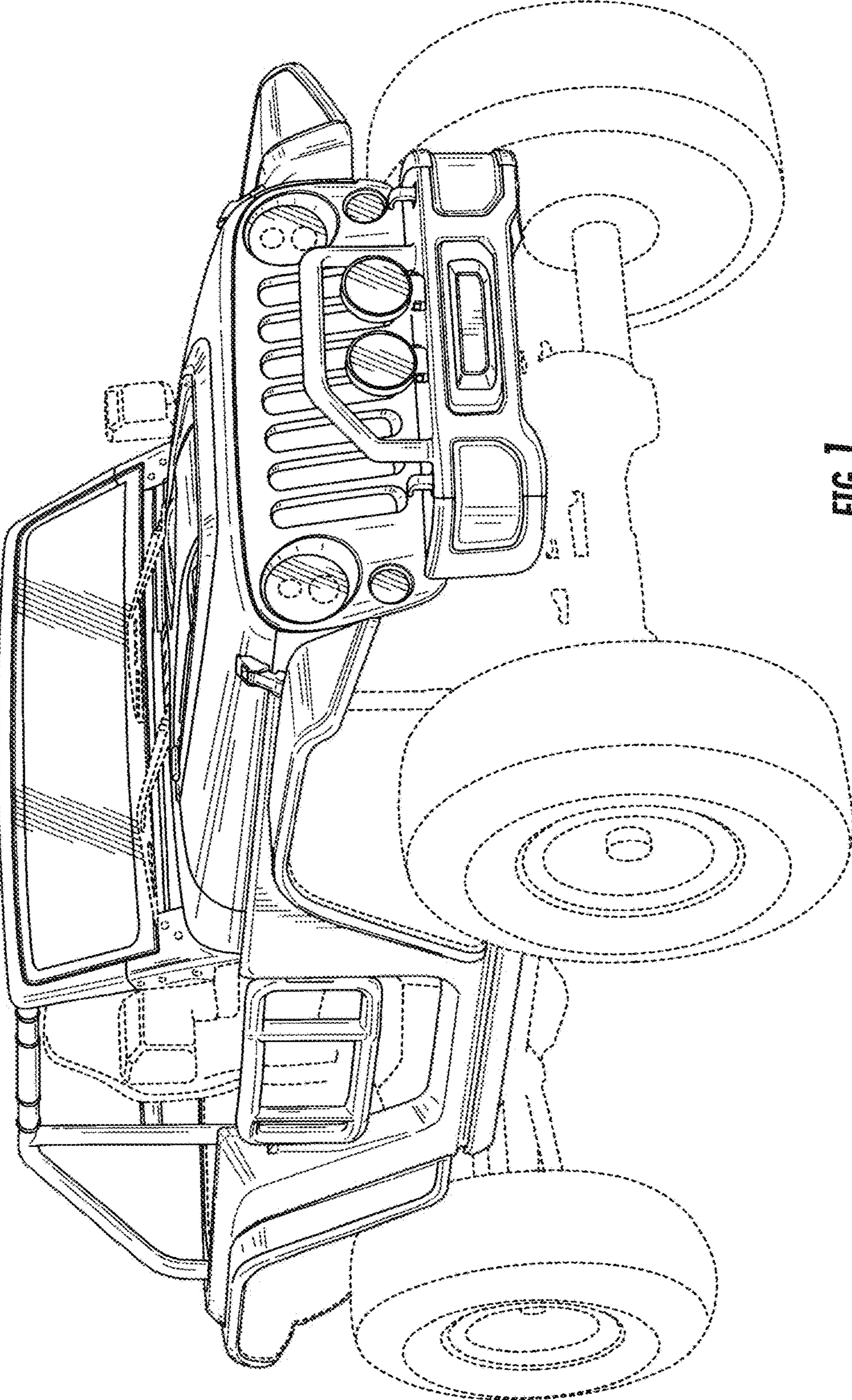


FIG. 1

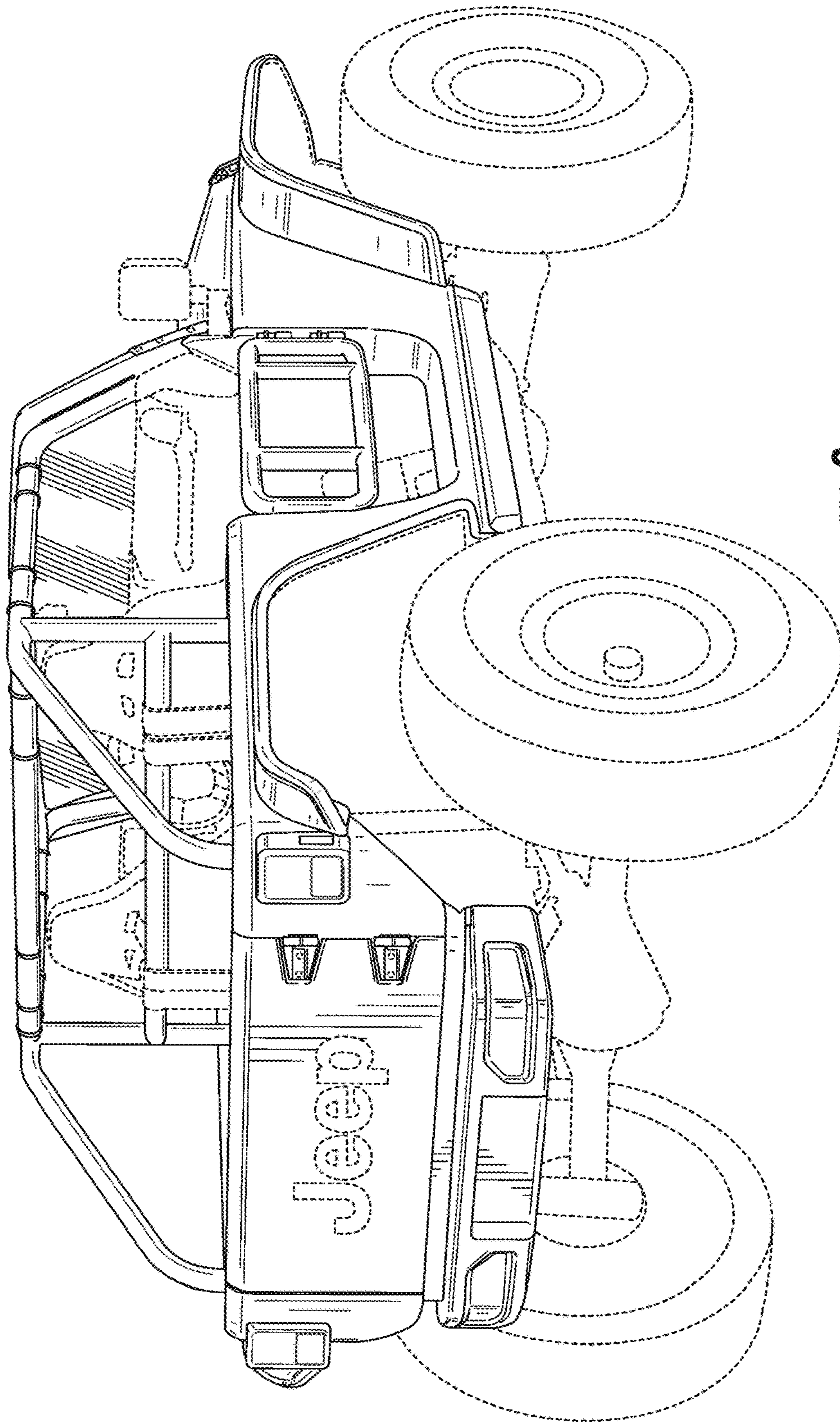


FIG. 2

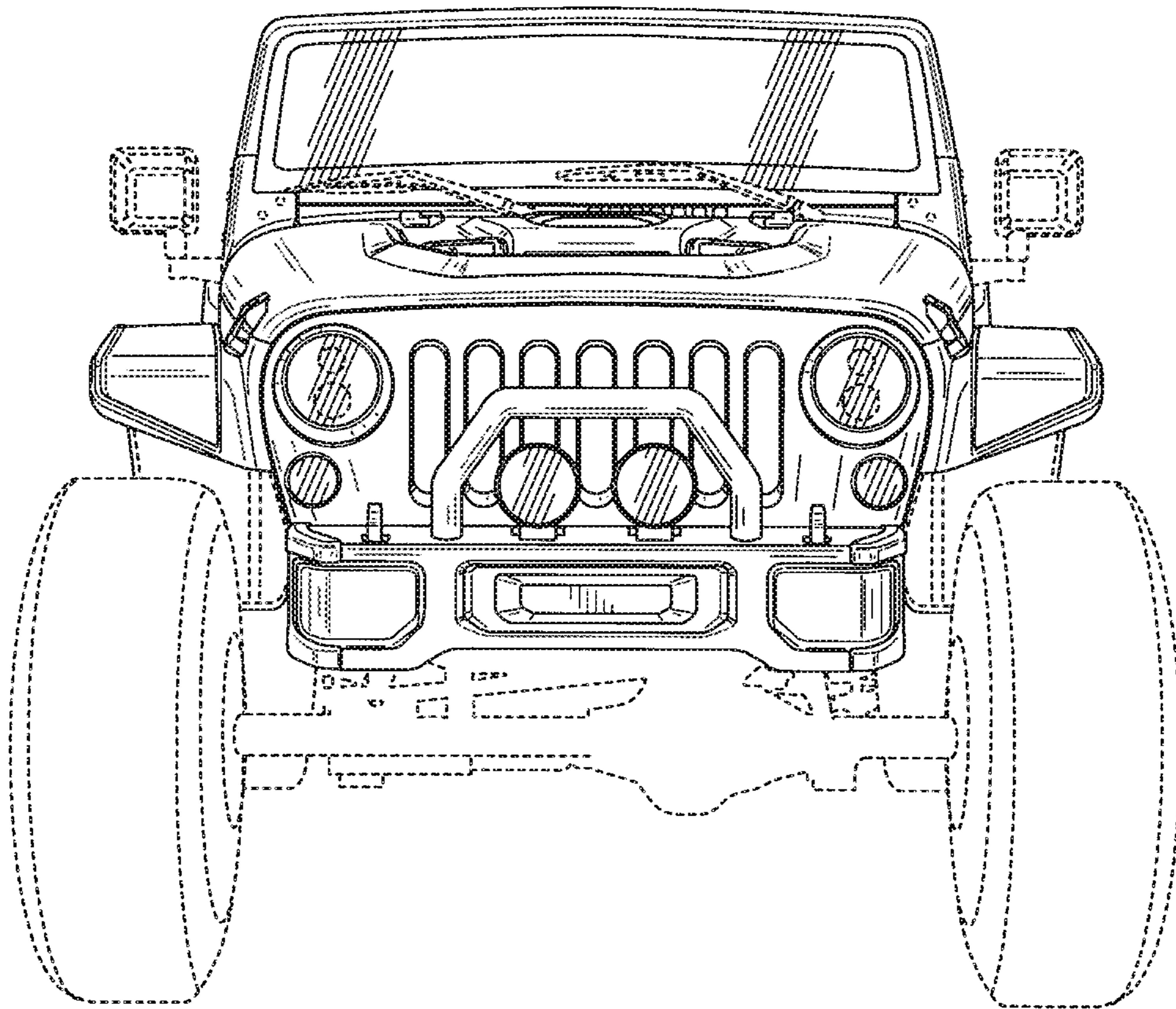


FIG. 3

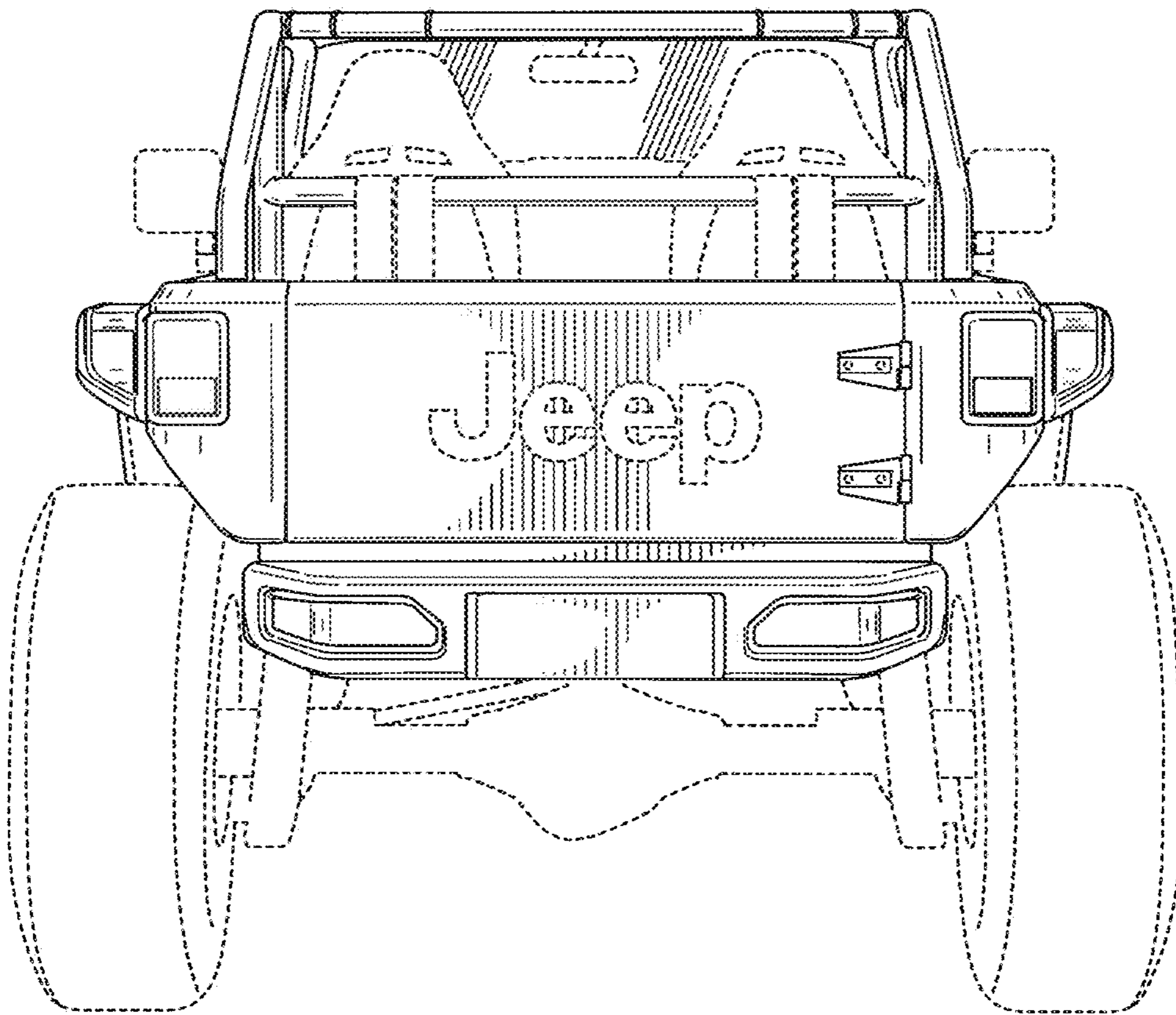


FIG. 4

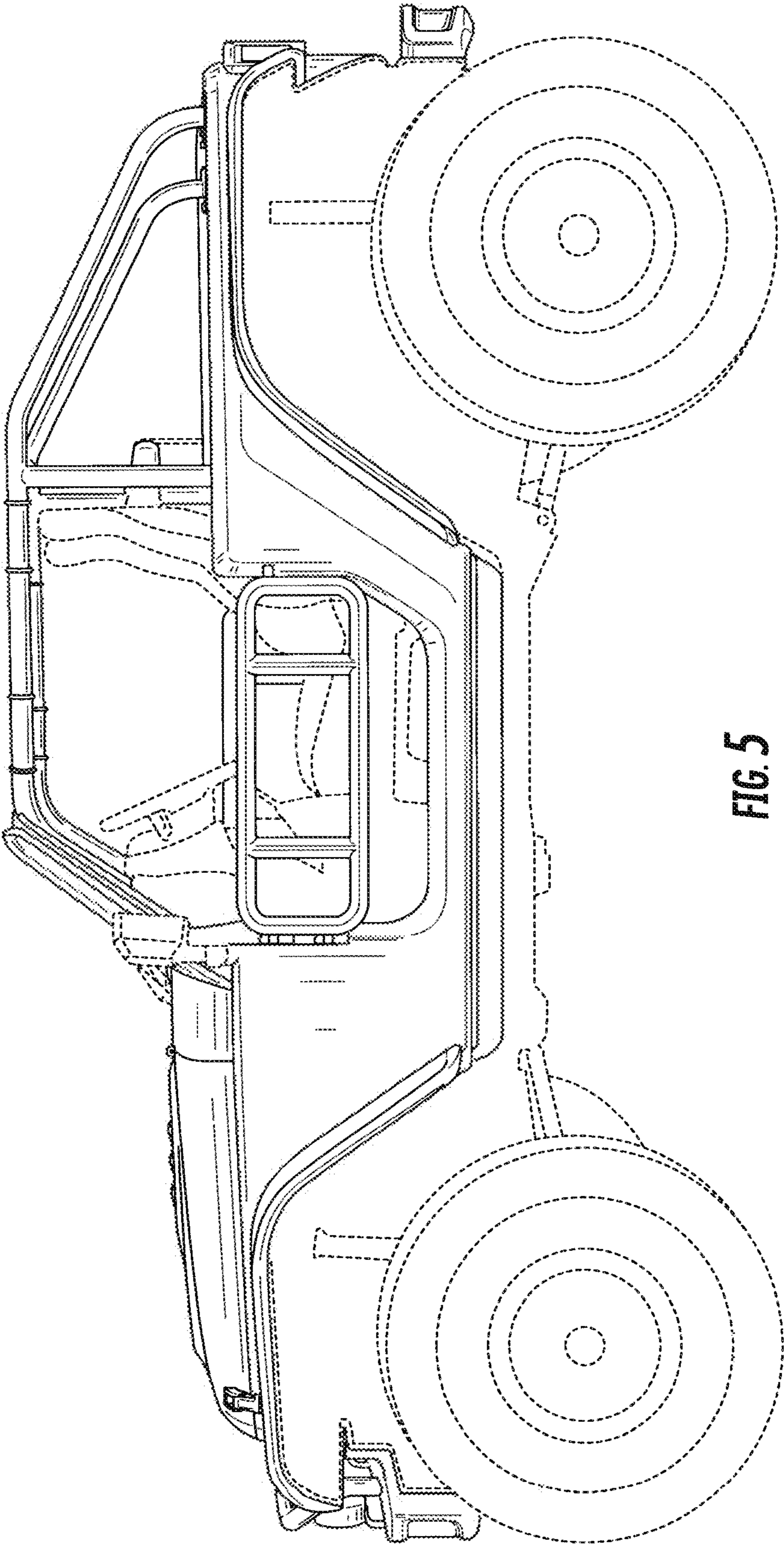


FIG. 5

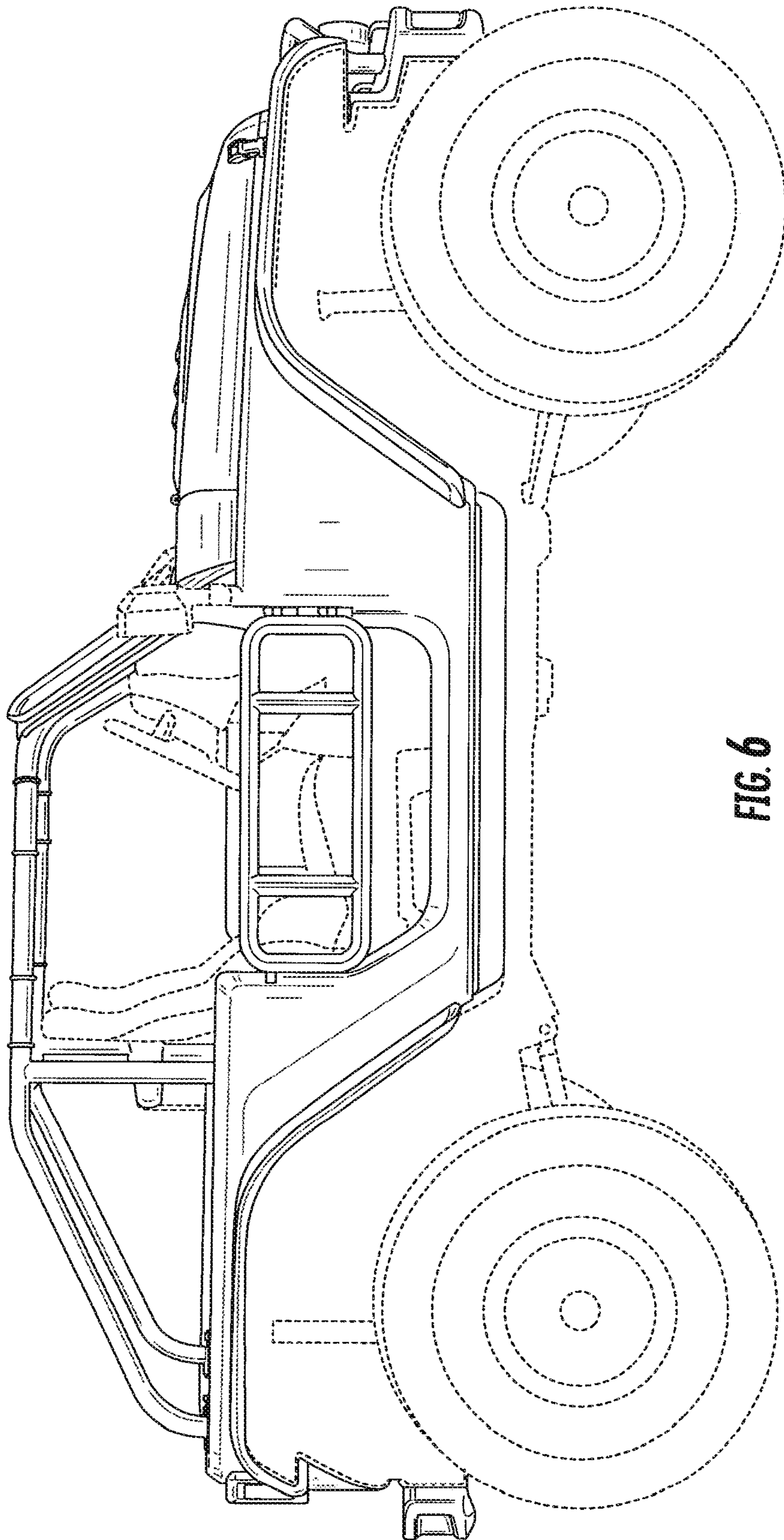


FIG. 6

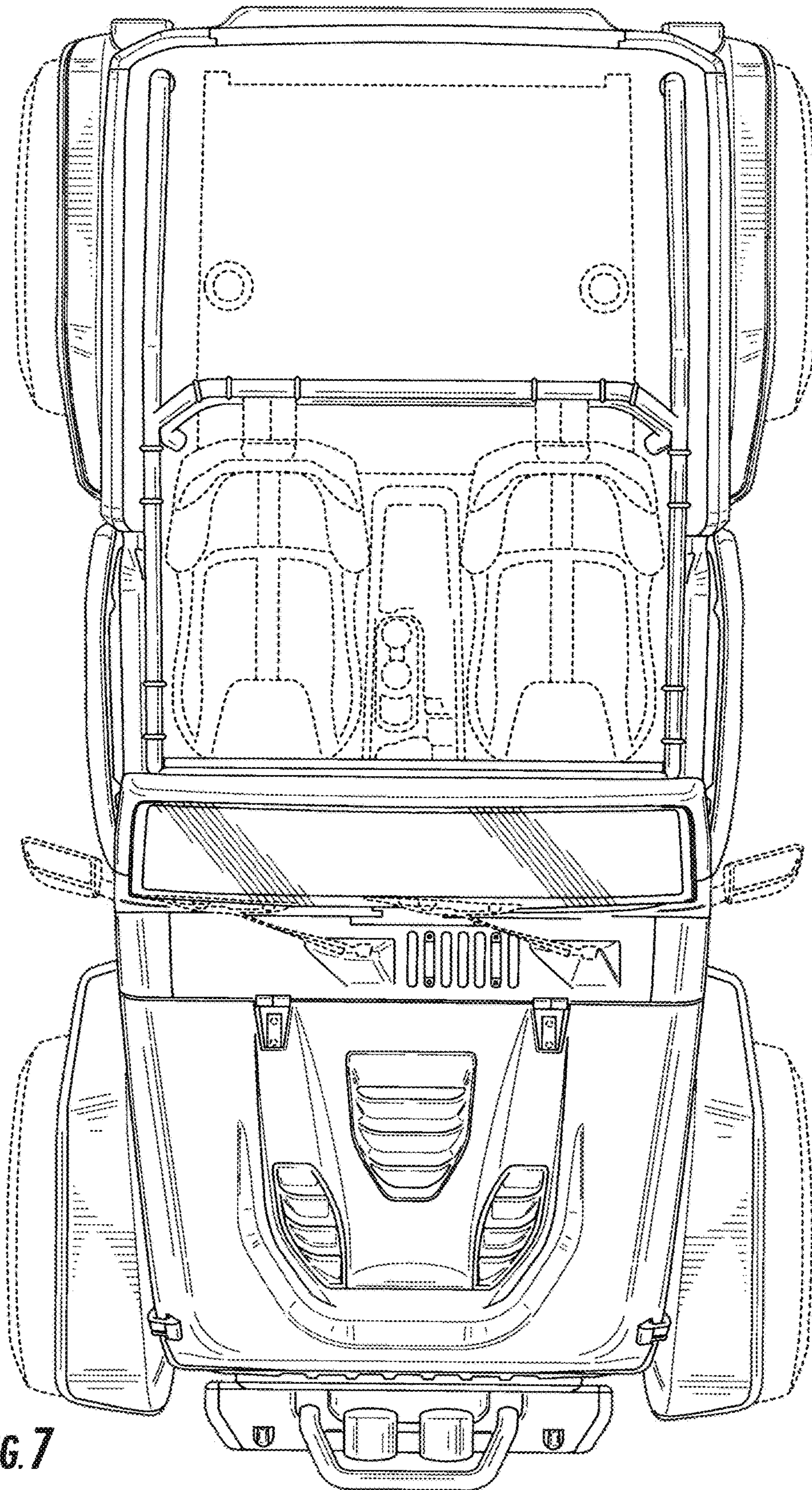


FIG. 7